



US00D958036S

(12) **United States Design Patent**
Jenkins et al.

(10) **Patent No.:** **US D958,036 S**
(45) **Date of Patent:** **** Jul. 19, 2022**

(54) **INTERIOR DOOR RELEASE FOR A VEHICLE**

(71) Applicant: **Atieva Inc.**, Uglan House, KY (US)

(72) Inventors: **Derek N. Jenkins**, Malibu, CA (US);
Zeb Michael Coughenour, Redwood City, CA (US)

(73) Assignee: **Atieva Inc.**, Grand Cayman (KY)

(**) Term: **15 Years**

(21) Appl. No.: **29/747,313**

(22) Filed: **Aug. 21, 2020**

(51) **LOC (13) Cl.** **12-16**

(52) **U.S. Cl.**
USPC **D12/195**

(58) **Field of Classification Search**
USPC D10/46, 98, 102, 103; D12/190, 192,
D12/193, 195, 196, 44; D15/17, 28
CPC E05B 65/00; E05B 65/06; E05B 65/10;
E05B 65/12; E05B 81/56; E05B 81/80
See application file for complete search history.

(56) **References Cited**

U.S. PATENT DOCUMENTS

D562,750 S	*	2/2008	Schowalter	D12/195
D821,947 S	*	7/2018	Kasparian	D12/195
D829,142 S	*	9/2018	Sheffield	D12/195
D829,146 S	*	9/2018	Takagi	D12/196
D882,477 S	*	4/2020	Roo-Clefas	D12/195

D882,478 S	*	4/2020	Buffery	D12/195
D892,693 S	*	8/2020	Jacob	D12/195
D900,691 S	*	11/2020	La Com	D12/196
D909,268 S	*	2/2021	Harcup	D12/195
D919,530 S	*	5/2021	Mistiuk	D12/196

OTHER PUBLICATIONS

R. Moore, Lucid Motors Air™ prototype vehicle review article, TopSpeed, published Aug. 25, 2017.
U.S. Appl. No. 29/747,315, filed Aug. 21, 2020, Derek N. Jenkins et al.

* cited by examiner

Primary Examiner — Susan E Krakower
Assistant Examiner — Jerry Shiuan-Hua Hsu

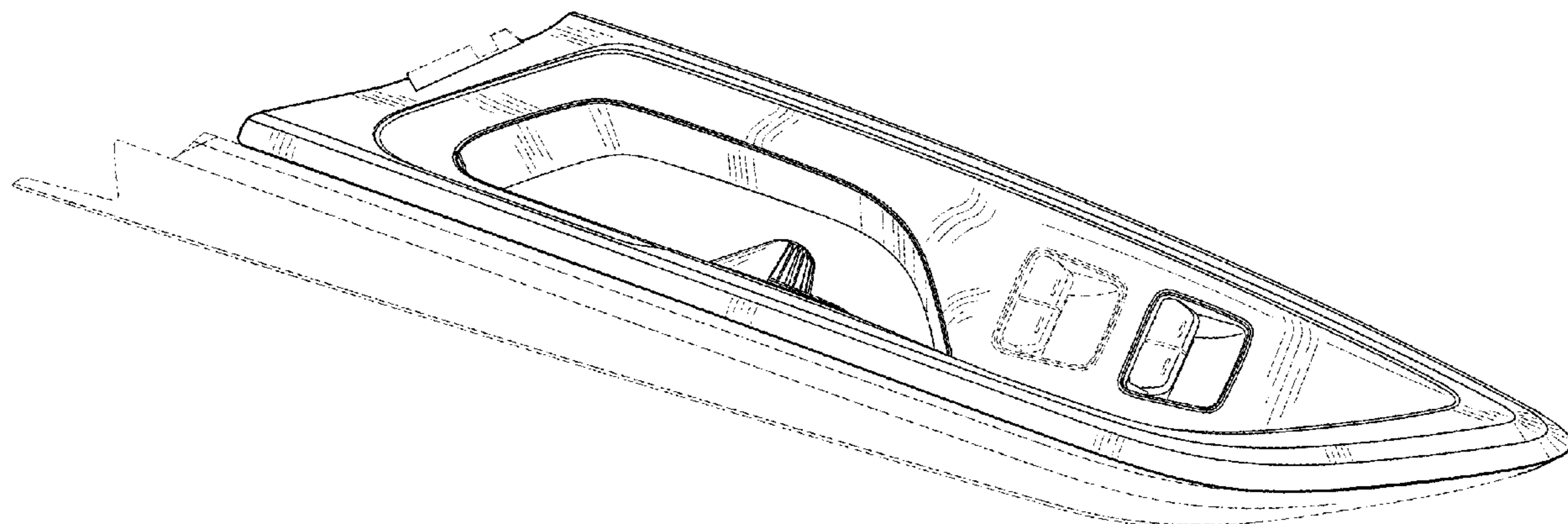
(57) **CLAIM**

We claim the ornamental design for an interior door release for a vehicle, as shown and described.

DESCRIPTION

FIG. 1 is a top, right perspective view of an interior door release for a vehicle, showing our new design;
FIG. 2 is a top, left perspective view thereof;
FIG. 3 is a top plan view thereof;
FIG. 4 is a right side view thereof;
FIG. 5 is a front view thereof; and,
FIG. 6 is a top plan view thereof.
The broken lines depict portions of the interior door release for the vehicle that form no part of the claimed design.

1 Claim, 5 Drawing Sheets



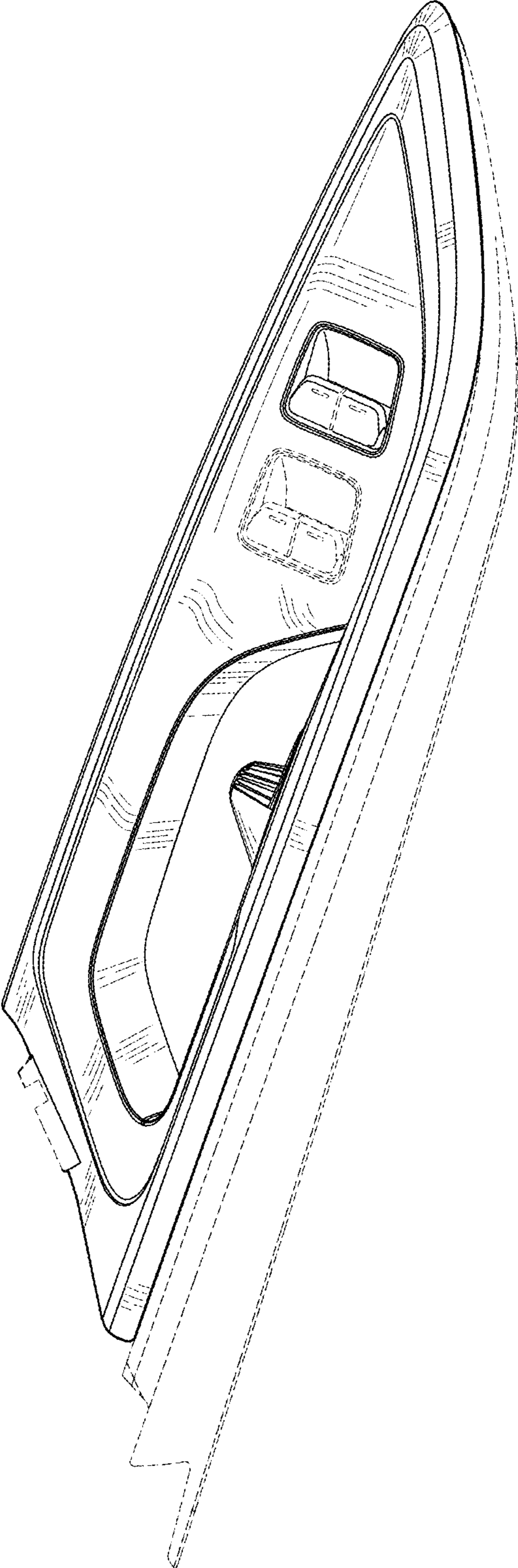


FIG - 1

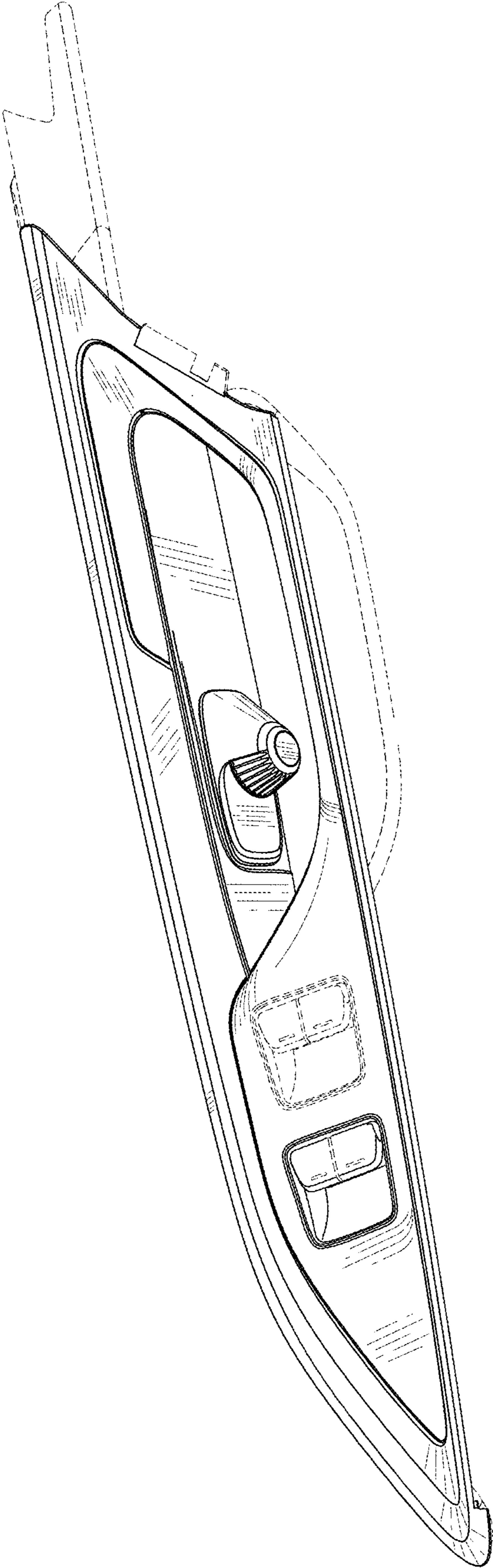


FIG - 2

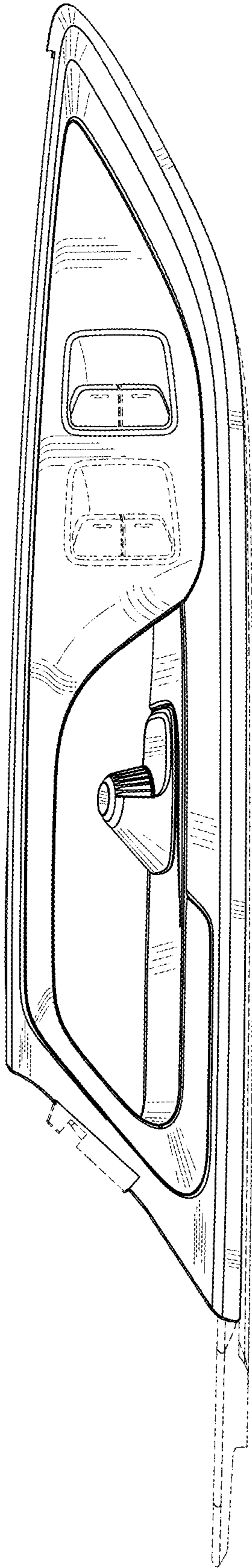


FIG - 3

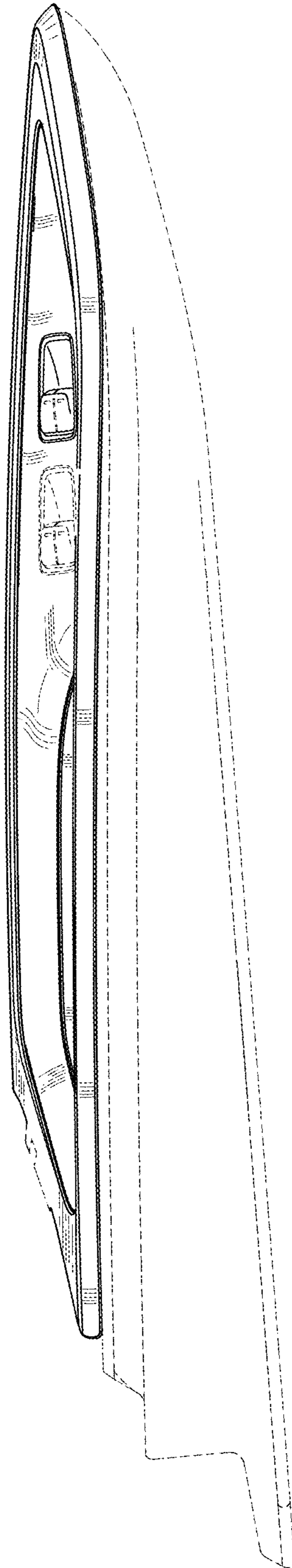


FIG - 4

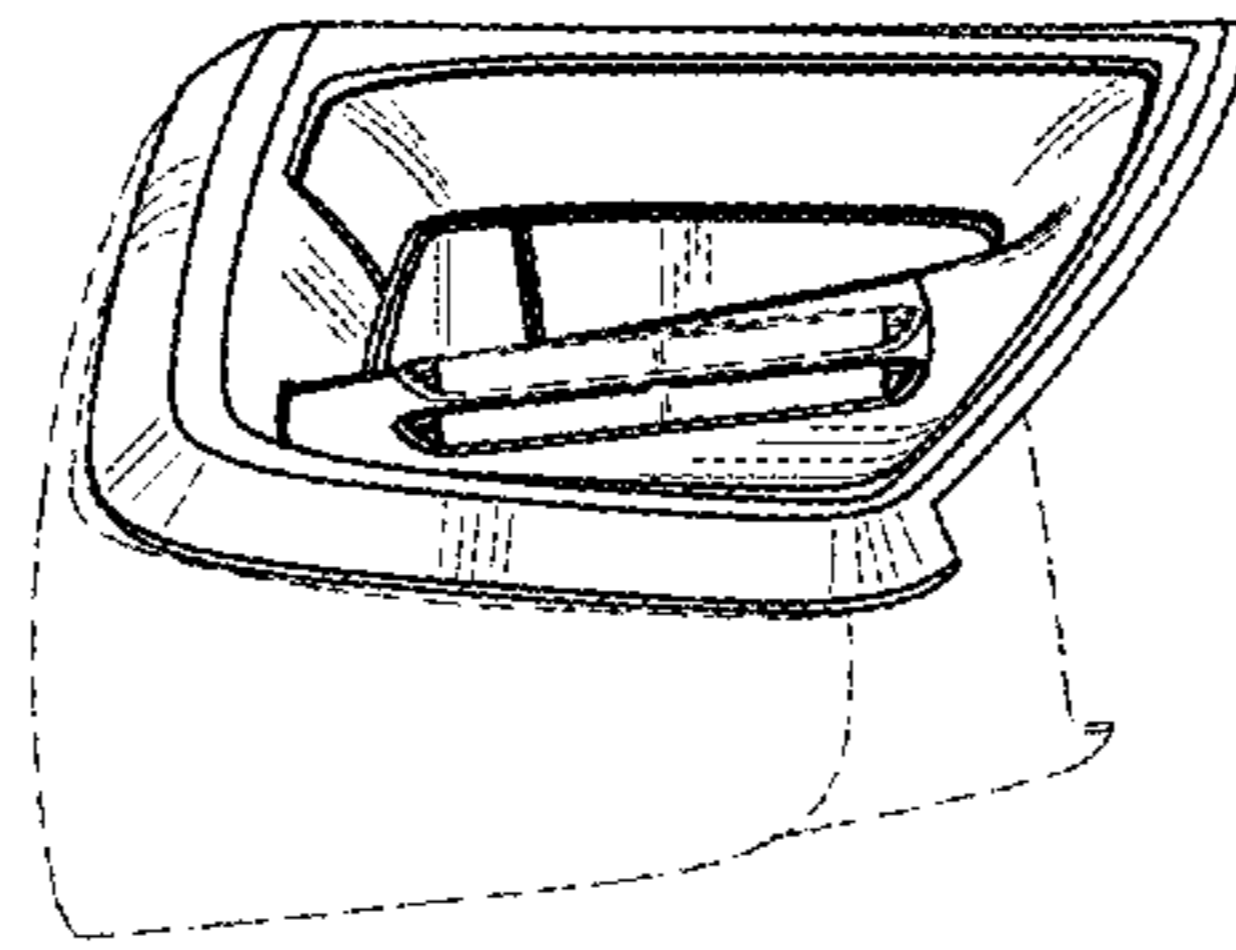


FIG - 5

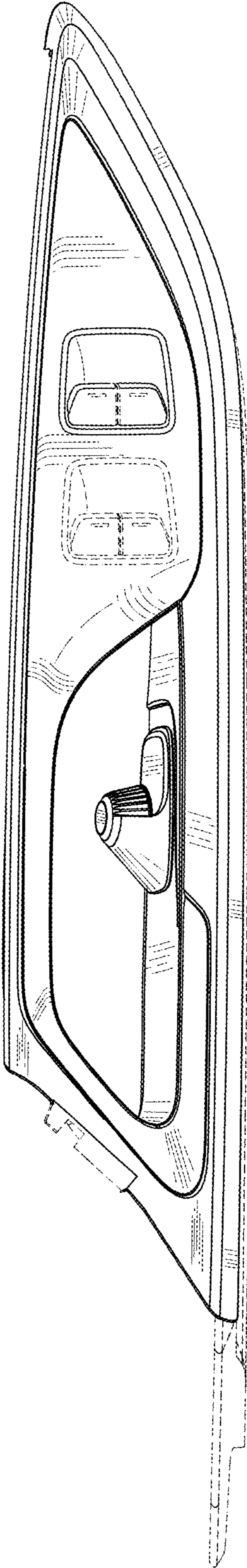


FIG - 6