



US00D958033S

(12) **United States Design Patent** (10) **Patent No.:** **US D958,033 S**
Behan et al. (45) **Date of Patent:** **** Jul. 19, 2022**

(54) **WHEEL ENCLOSURE FOR A VEHICLE**

(71) Applicant: **Daimler AG**, Stuttgart (DE)

(72) Inventors: **Braden Behan**, Portland, OR (US);
Paul Caccia, Portland, OR (US); **Paolo Zanetti**, Portland, OR (US); **Donald Vena**, Vancouver, WA (US)

(73) Assignee: **Daimler AG**, Stuttgart (DE)

(**) Term: **15 Years**

(21) Appl. No.: **29/656,674**

(22) Filed: **Jul. 16, 2018**

(51) **LOC (13) Cl.** **12-16**

(52) **U.S. Cl.**
USPC **D12/181**
CPC **B62D 25/18** (2013.01)

(58) **Field of Classification Search**
USPC D12/169–199, 86–92, 114, 163, 400
CPC B62D 25/18; B60R 13/04; B60R 13/0861
See application file for complete search history.

(56) **References Cited**

U.S. PATENT DOCUMENTS

| | | | | |
|----------------|---------|-----------|-------|-------------|
| D253,764 S * | 12/1979 | Lockwood | | D12/185 |
| D482,993 S * | 12/2003 | Conway | | D12/184 |
| D491,858 S * | 6/2004 | Velazco | | D12/184 |
| D524,204 S * | 7/2006 | Beigel | | D12/184 |
| D563,853 S * | 3/2008 | Rosen | | D12/173 |
| D612,309 S * | 3/2010 | Beigel | | D12/184 |
| D621,756 S * | 8/2010 | Angelo | | D12/184 |
| D643,352 S * | 8/2011 | Hjorten | | D12/181 |
| D697,844 S * | 1/2014 | Conway | | D12/184 |
| D697,845 S * | 1/2014 | Conway | | D12/184 |
| D697,846 S * | 1/2014 | Conway | | D12/184 |
| D702,606 S * | 4/2014 | Conway | | D12/184 |
| D726,080 S * | 4/2015 | Mays | | D12/173 |
| 9,278,716 B1 * | 3/2016 | Joseph | | B62D 29/043 |
| D756,870 S * | 5/2016 | Tsutamori | | D12/184 |
| D758,935 S * | 6/2016 | Platto | | D12/184 |

| | | | | |
|----------------|---------|-------------|-------|-------------|
| 9,403,557 B1 * | 8/2016 | Sharma | | B62D 25/16 |
| 9,487,238 B2 * | 11/2016 | Iwano | | B62D 65/024 |
| D775,031 S * | 12/2016 | Frascella | | D12/184 |
| D777,628 S * | 1/2017 | Kozub | | D12/181 |
| D787,395 S * | 5/2017 | Curie | | D12/181 |
| D788,661 S * | 6/2017 | Henstridge | | D12/184 |
| 9,669,876 B2 * | 6/2017 | Iwano | | B62D 25/16 |
| D795,767 S * | 8/2017 | Platto | | D12/184 |
| D795,768 S * | 8/2017 | Platto | | D12/184 |
| 9,738,322 B2 * | 8/2017 | Matthiessen | | B62D 25/04 |
| D803,119 S * | 11/2017 | Beermann | | D12/184 |
| D803,741 S * | 11/2017 | Tsubaki | | D12/184 |
| D805,013 S * | 12/2017 | Whitla | | D12/181 |
| D806,622 S * | 1/2018 | Granlund | | D12/184 |
| D807,261 S * | 1/2018 | Zavatski | | D12/184 |

(Continued)

Primary Examiner — Richard E Chilcot

(74) *Attorney, Agent, or Firm* — Crowell & Moring LLP

(57) **CLAIM**

The ornamental design for a wheel enclosure for a vehicle, as shown and described.

DESCRIPTION

FIG. 1 is a left, front perspective view of a first embodiment of a wheel enclosure for a vehicle according to the design, showing a possible environment;

FIG. 2 is a left, front perspective view thereof;

FIG. 3 is a front view thereof; and

FIG. 4 is a bottom view thereof.

FIG. 5 is a right, front perspective view of a second embodiment of the wheel enclosure for a vehicle according to the design, showing a possible environment;

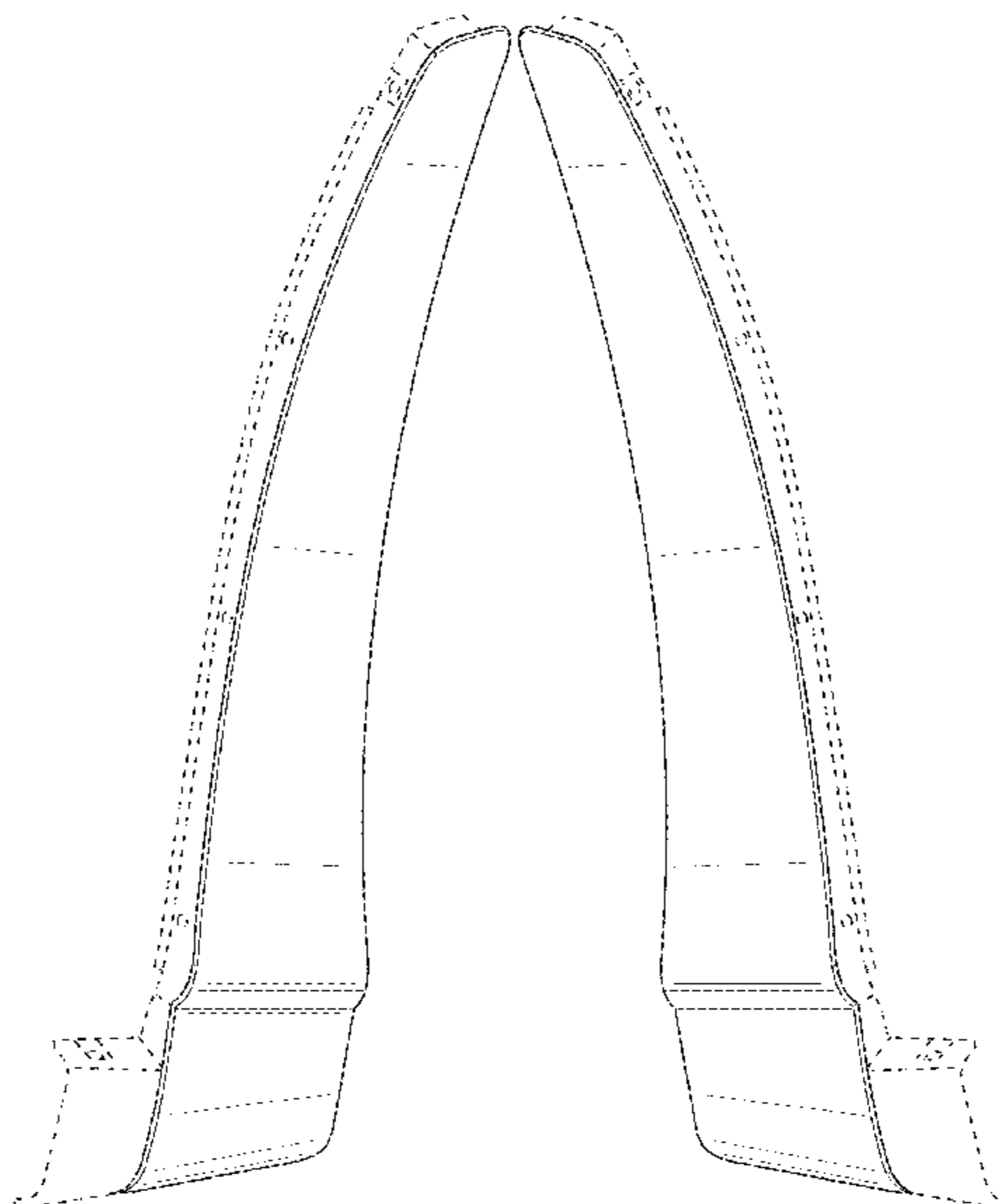
FIG. 6 is a right, front perspective view thereof;

FIG. 7 is a front view thereof; and,

FIG. 8 is a bottom view thereof.

The broken lines in the drawings illustrate environmental subject matter only and form no part of the claimed design. Also enclosed is a set of photographs of an embodiment of the design.

1 Claim, 8 Drawing Sheets



(56)

References Cited

U.S. PATENT DOCUMENTS

9,890,966 B2 * 2/2018 Mueller B62D 25/16
 D817,829 S * 5/2018 Behmer D12/184
 D820,751 S * 6/2018 Luk D12/184
 D823,741 S * 7/2018 Kim D12/169
 10,023,241 B2 * 7/2018 Umemoto B62D 37/02
 10,035,543 B2 * 7/2018 Sato B60J 5/0444
 D826,811 S * 8/2018 Lim D12/184
 D827,527 S * 9/2018 Loeb D12/184
 D827,528 S * 9/2018 Gueler D12/184
 D827,529 S * 9/2018 Al Attar D12/184
 D828,254 S * 9/2018 Simm D12/184
 10,077,085 B2 * 9/2018 Pfaffelhuber B62D 27/02
 D848,321 S * 5/2019 Lu D12/169
 D848,324 S * 5/2019 Thurber D12/169
 D850,340 S * 6/2019 Lu D12/181
 D860,082 S * 9/2019 Poyorena D12/184
 D860,083 S * 9/2019 Poyorena D12/184

D864,063 S * 10/2019 DiCanzio D12/181
 D867,245 S * 11/2019 Ito D12/184
 D868,656 S * 12/2019 De Leon D12/181
 D870,620 S * 12/2019 Hallgren D12/184
 D872,668 S * 1/2020 McGaughy D12/196
 D874,365 S * 2/2020 Woodhouse D12/181
 D875,004 S * 2/2020 Chiang D12/181
 D876,300 S * 2/2020 Chiang D12/181
 D885,282 S * 5/2020 McGaughy D12/196
 D887,323 S * 6/2020 Zipfel D12/169
 D890,655 S * 7/2020 Poyorena D12/181
 D890,657 S * 7/2020 Reeves D12/184
 D898,640 S * 10/2020 Rose D12/184
 D906,200 S * 12/2020 Bibb, VI D12/181
 D906,202 S * 12/2020 Bibb, VI D12/184
 D929,917 S * 9/2021 Roh D12/184
 D929,918 S * 9/2021 Roh D12/184
 D934,766 S * 11/2021 Duncan D12/184
 D935,363 S * 11/2021 Duncan D12/184
 D935,966 S * 11/2021 Bibb, VI D12/184

* cited by examiner

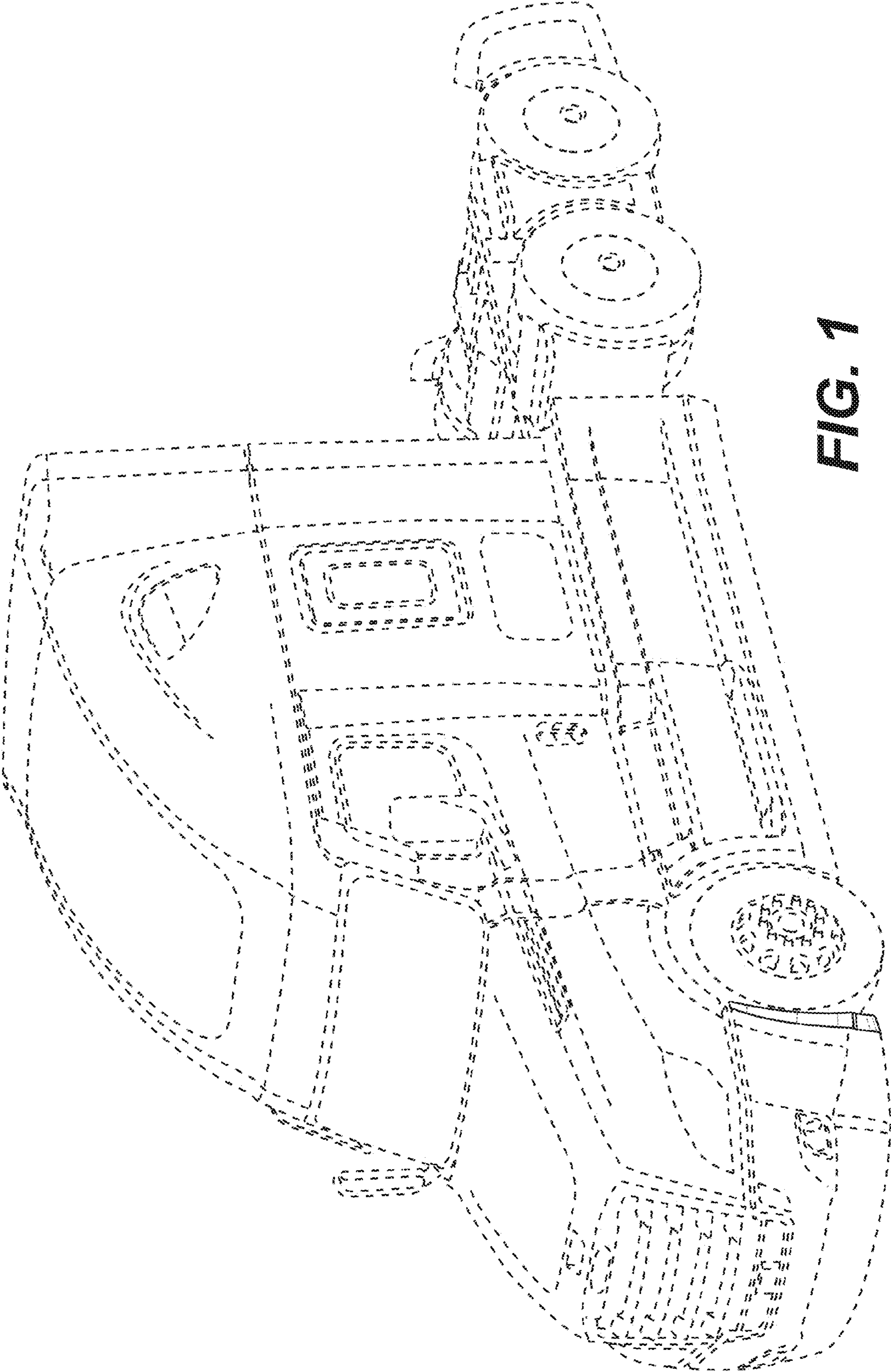


FIG. 1

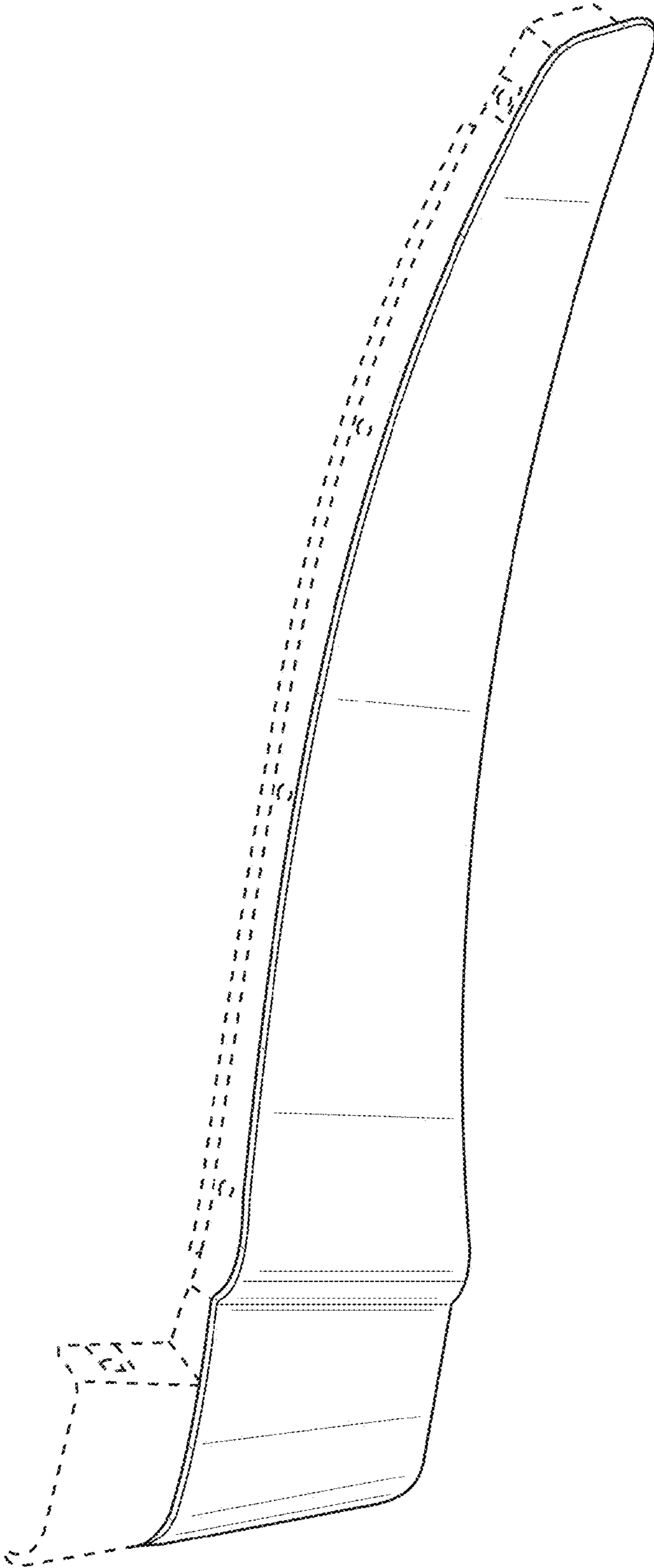


FIG. 2

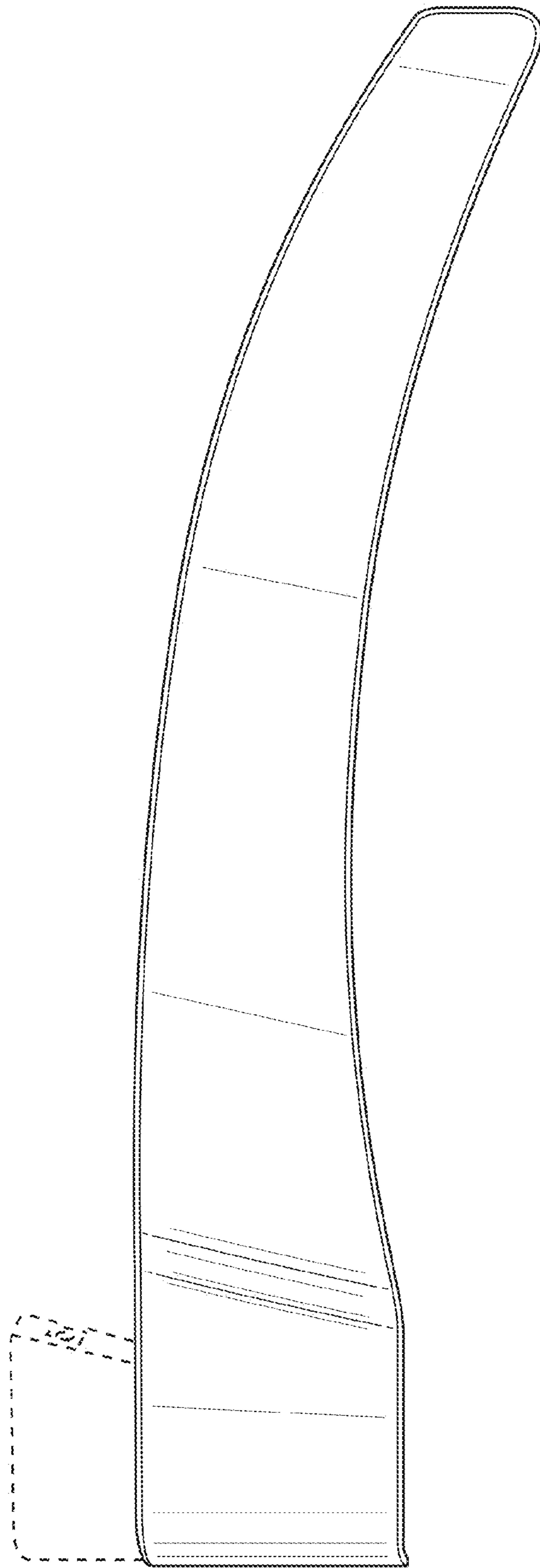


FIG. 3

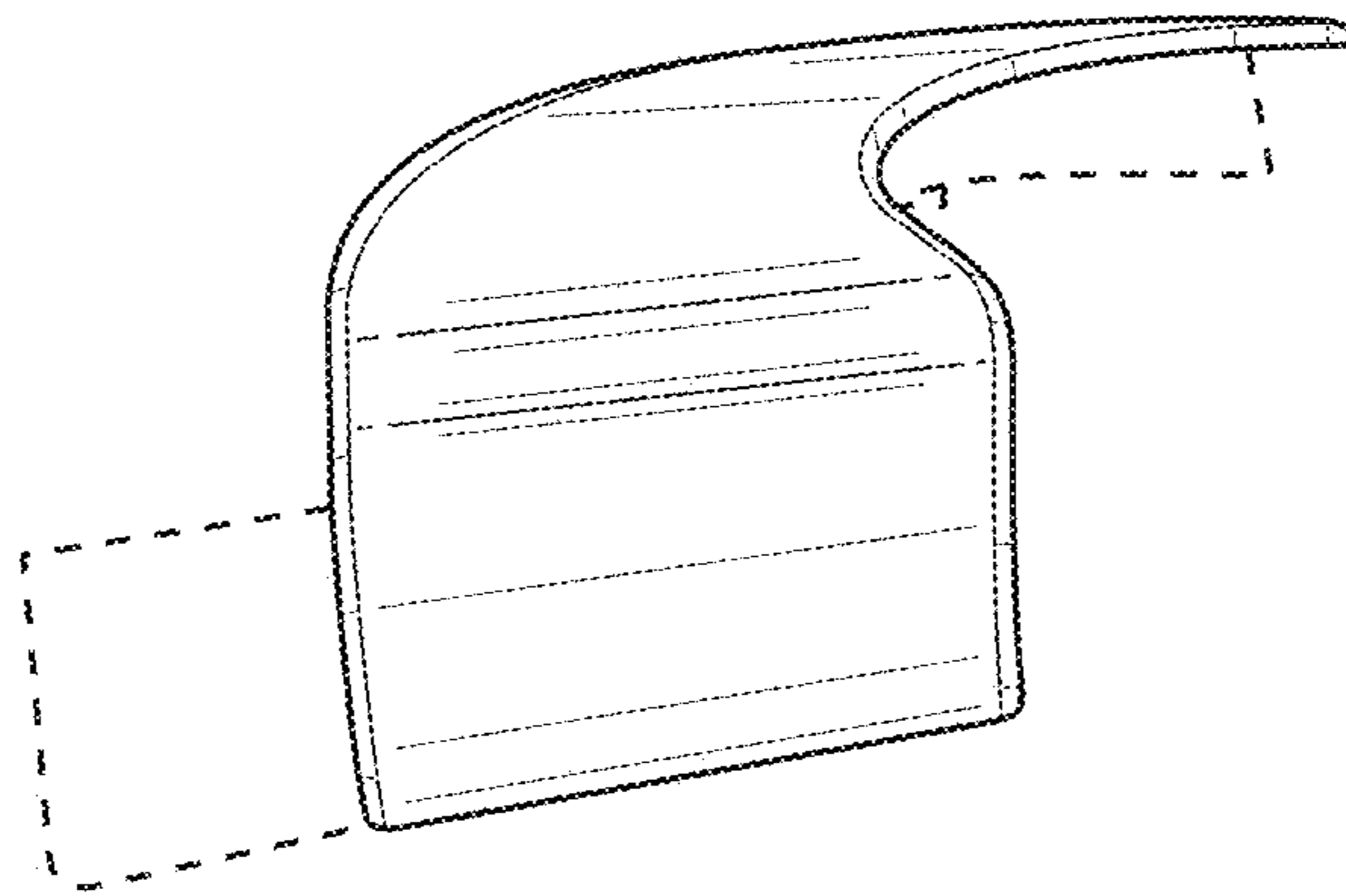


FIG. 4

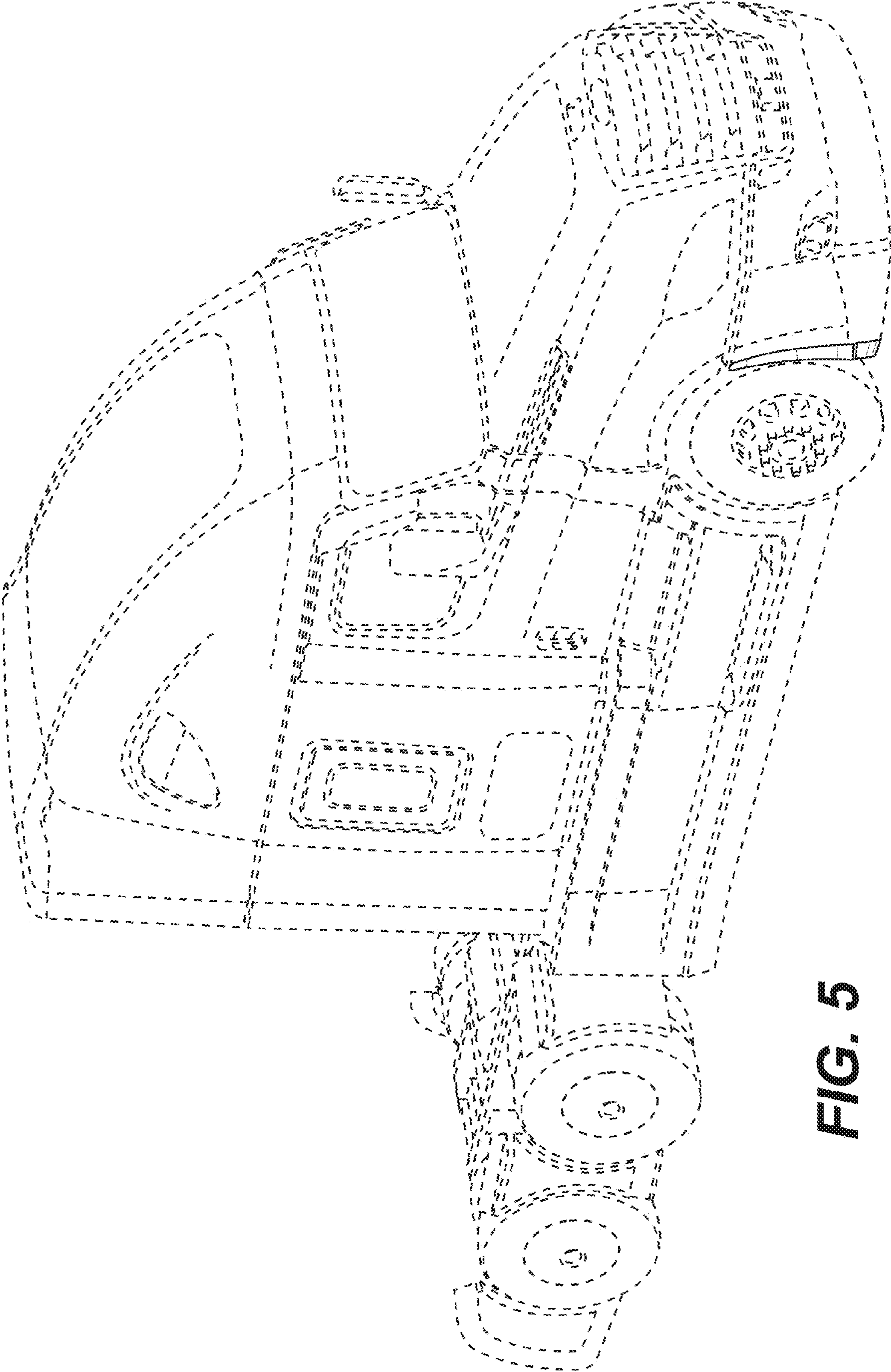


FIG. 5

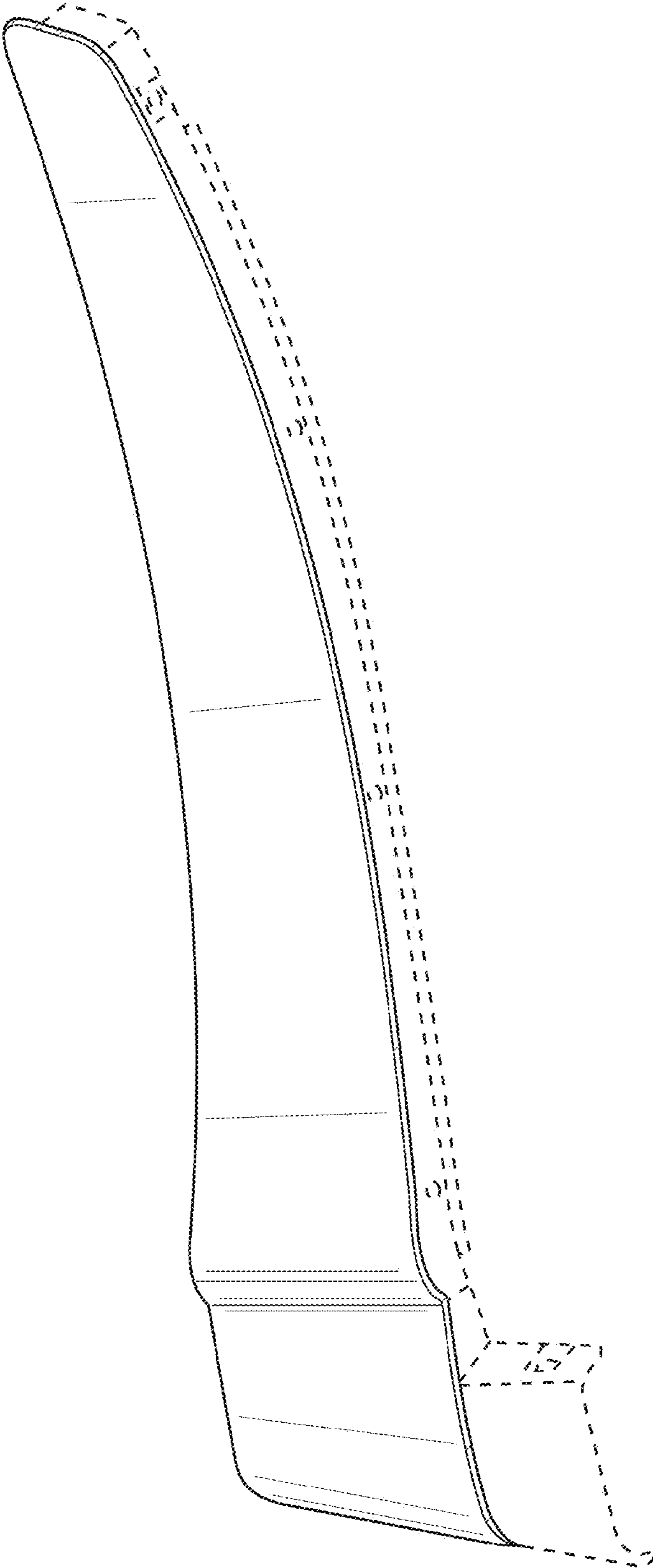


FIG. 6

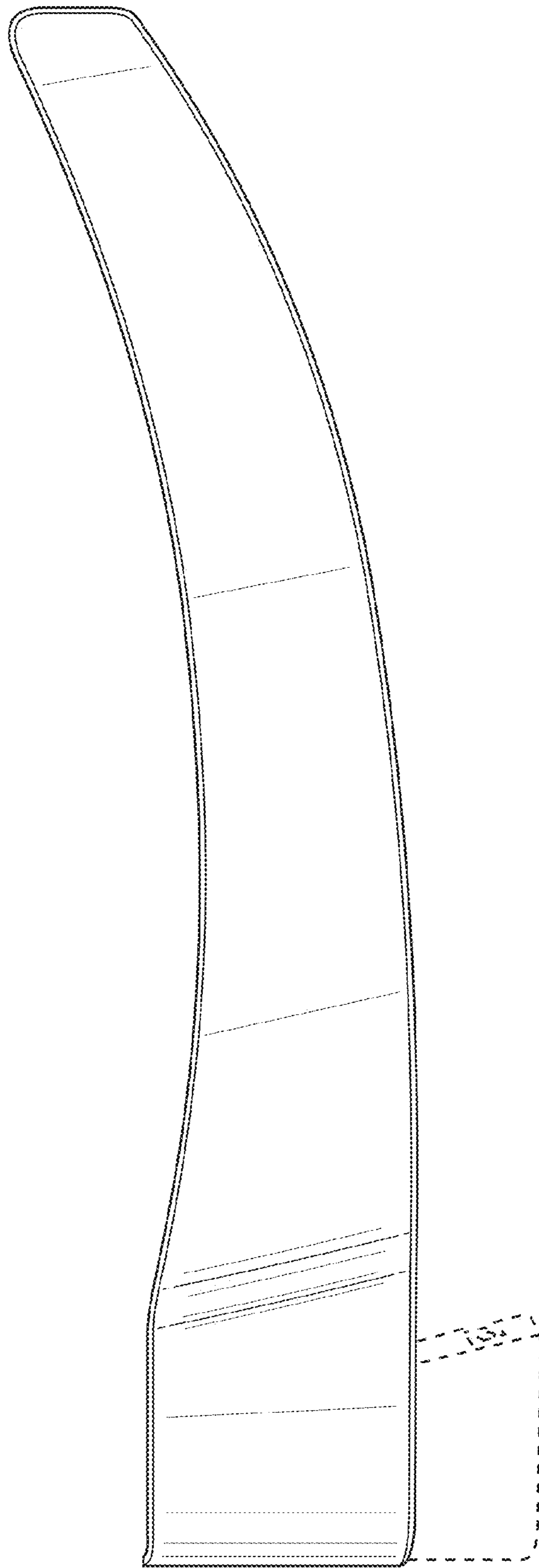


FIG. 7

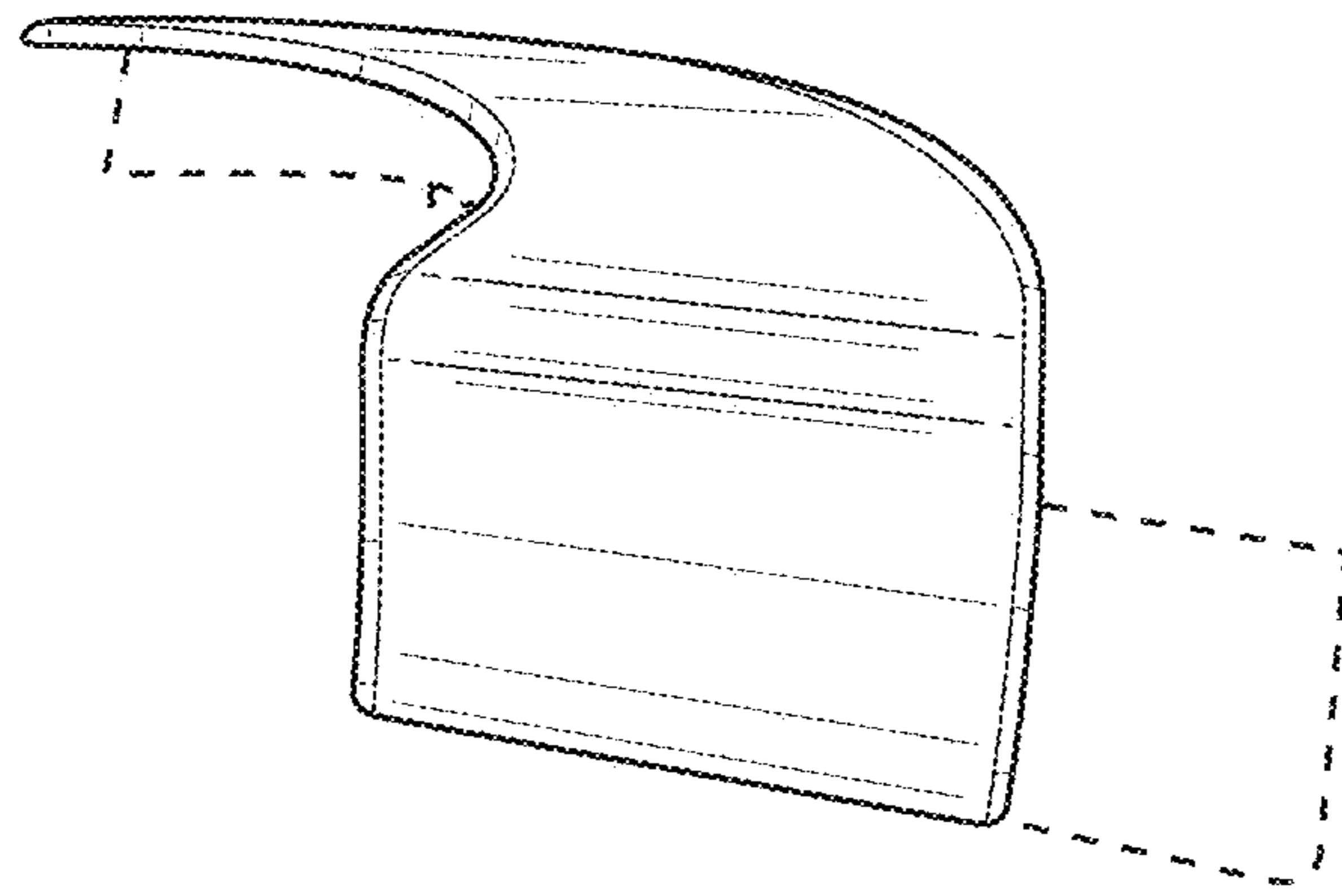


FIG. 8