



US00D958030S

(12) **United States Design Patent**  
**Akrapovič et al.**

(10) **Patent No.:** **US D958,030 S**  
(45) **Date of Patent:** **\*\* Jul. 19, 2022**

(54) **SPOILER FOR MOTOR CARS**  
(71) Applicant: **Igor Akrapovič**, Ljubljana (SI)  
(72) Inventors: **Igor Akrapovič**, Ljubljana (SI); **Ermin Kosovel**, Zgornje Gorje (SI); **Luka Žagar**, Ljubljana (SI); **Peter Sprajc**, Ljubljana-Črnuče (SI); **Jaka Klemenc**, Ljubljana (SI)  
(\*\*) Term: **15 Years**  
(21) Appl. No.: **35/511,161**  
(22) Filed: **Dec. 24, 2020**  
(80) **Hague Agreement Data**  
Int. Filing Date: **Dec. 24, 2020**  
Int. Reg. No.: **DM/212044**  
Int. Reg. Date: **Dec. 24, 2020**  
Int. Reg. Pub. Date: **Jan. 15, 2021**

(30) **Foreign Application Priority Data**  
Jul. 7, 2020 (EM) ..... 008033856-0001  
(51) **LOC (13) Cl.** ..... **12-16**  
(52) **U.S. Cl.**  
USPC ..... **D12/169**  
(58) **Field of Classification Search**  
USPC ..... D12/86, 90, 91, 92, 163, 164, 167, 169, D12/171, 172, 196, 216  
CPC ..... B60R 19/02; B60R 19/18; B60R 19/24; B60R 19/56; B60R 2019/007  
See application file for complete search history.

(56) **References Cited**  
U.S. PATENT DOCUMENTS  
D813,745 S \* 3/2018 Behmer ..... D12/169  
10,272,862 B2 \* 4/2019 Whitehead ..... B62D 25/2072  
D852,691 S \* 7/2019 Tovey ..... D12/169

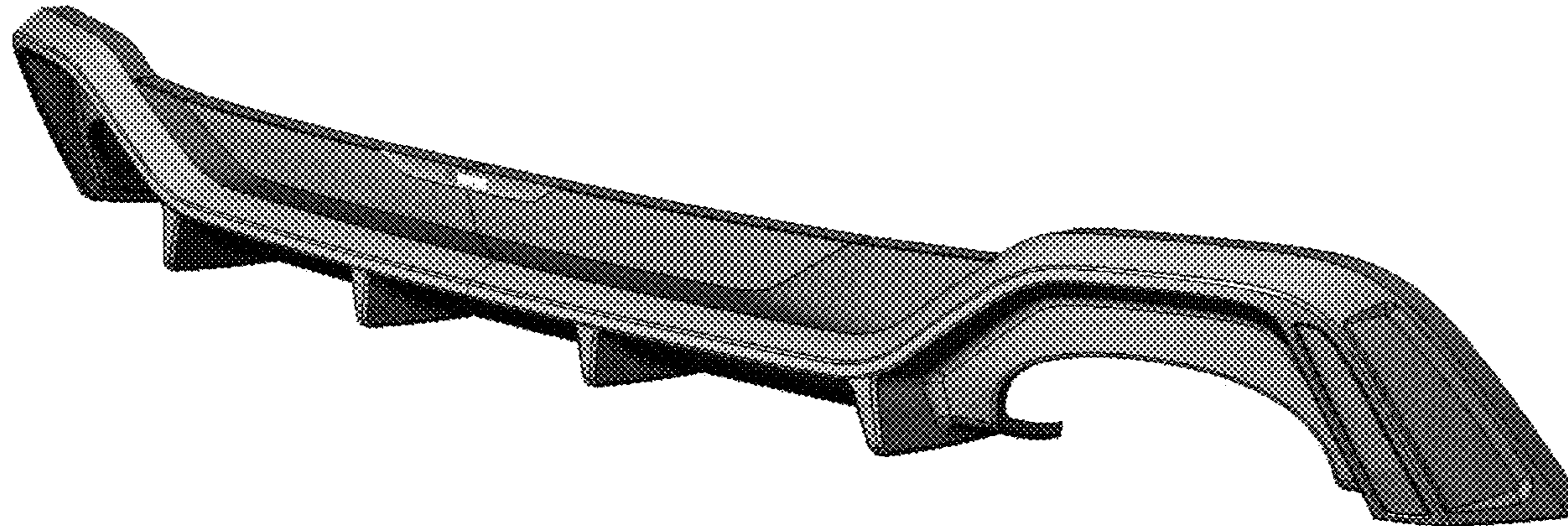
D860,894 S \* 9/2019 Grewer ..... D12/196  
D864,820 S \* 10/2019 Lucas ..... D12/196  
D867,950 S \* 11/2019 Grewer ..... D12/196  
D868,647 S \* 12/2019 Buck ..... D12/196  
D883,884 S \* 5/2020 Watanuki ..... D12/196  
D887,932 S \* 6/2020 Owens ..... D12/196  
D888,626 S \* 6/2020 Smith ..... D12/169  
D890,641 S \* 7/2020 Burki ..... D12/164  
D902,818 S \* 11/2020 Choi ..... D12/196  
D903,567 S \* 12/2020 Choi ..... D12/196  
D903,568 S \* 12/2020 Choi ..... D12/196  
D908,571 S \* 1/2021 Anscheidt ..... D12/196  
D911,240 S \* 2/2021 Manzoni ..... D12/196  
D918,808 S \* 5/2021 Nakajima ..... D12/169  
D920,203 S \* 5/2021 Choi ..... D12/196  
D920,871 S \* 6/2021 Park ..... D12/196  
D932,969 S \* 10/2021 Anscheidt ..... D12/196  
2011/0118946 A1 \* 5/2011 Reimann ..... G06F 7/00  
701/49  
2017/0043813 A1 \* 2/2017 Whitehead ..... B60R 19/54

\* cited by examiner  
*Primary Examiner* — Darlington Ly  
(74) *Attorney, Agent, or Firm* — Olson & Cepuritis, Ltd.

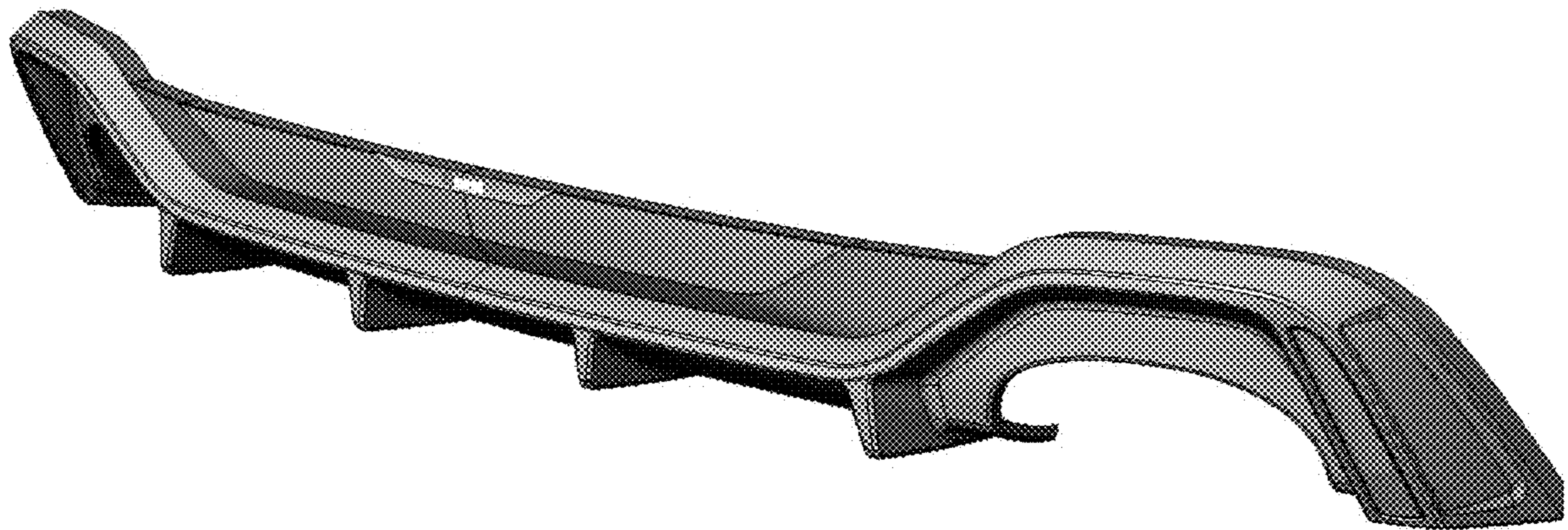
(57) **CLAIM**  
The ornamental design for a spoiler for motor cars, as shown and described.

**DESCRIPTION**  
1. Spoiler for motor cars  
1.1 is a rear and right side perspective view of a spoiler for motor cars embodying our new design;  
1.2 is a rear and left side perspective view thereof;  
1.3 is a front elevation view thereof;  
1.4 is a rear elevation view thereof;  
1.5 is a right side elevation view thereof;  
1.6 is a left side elevation view thereof;  
1.7 is a top plan view thereof;  
1.8 is a bottom plan view thereof; and,  
1.9 is a rear and bottom perspective view thereof.

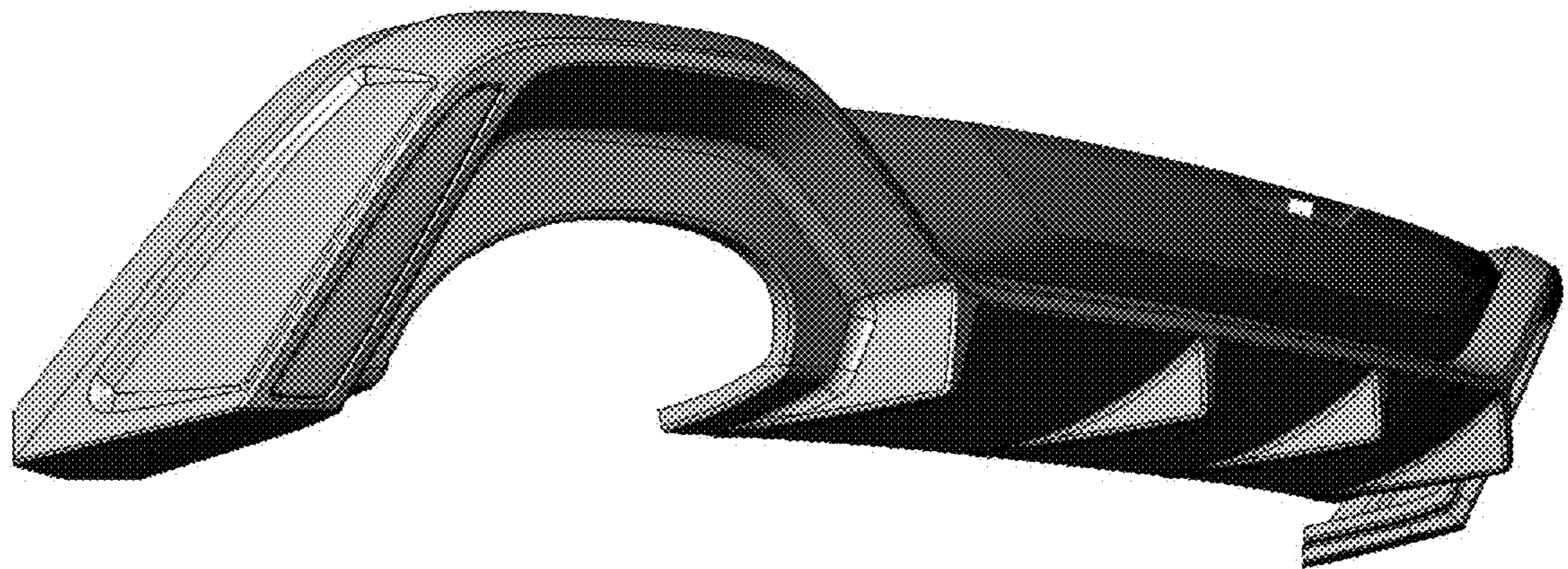
**1 Claim, 9 Drawing Sheets**



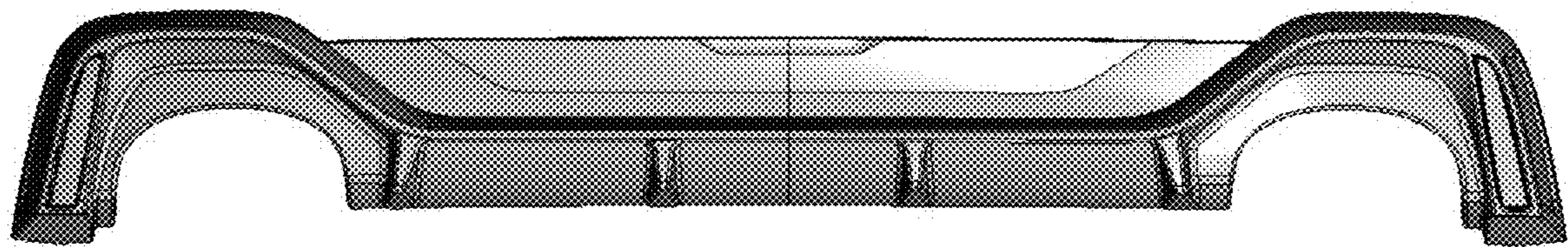
1.1



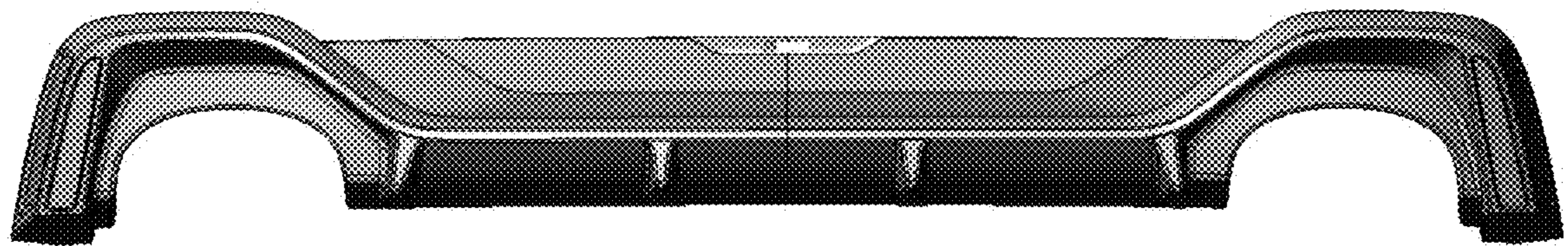
1.2



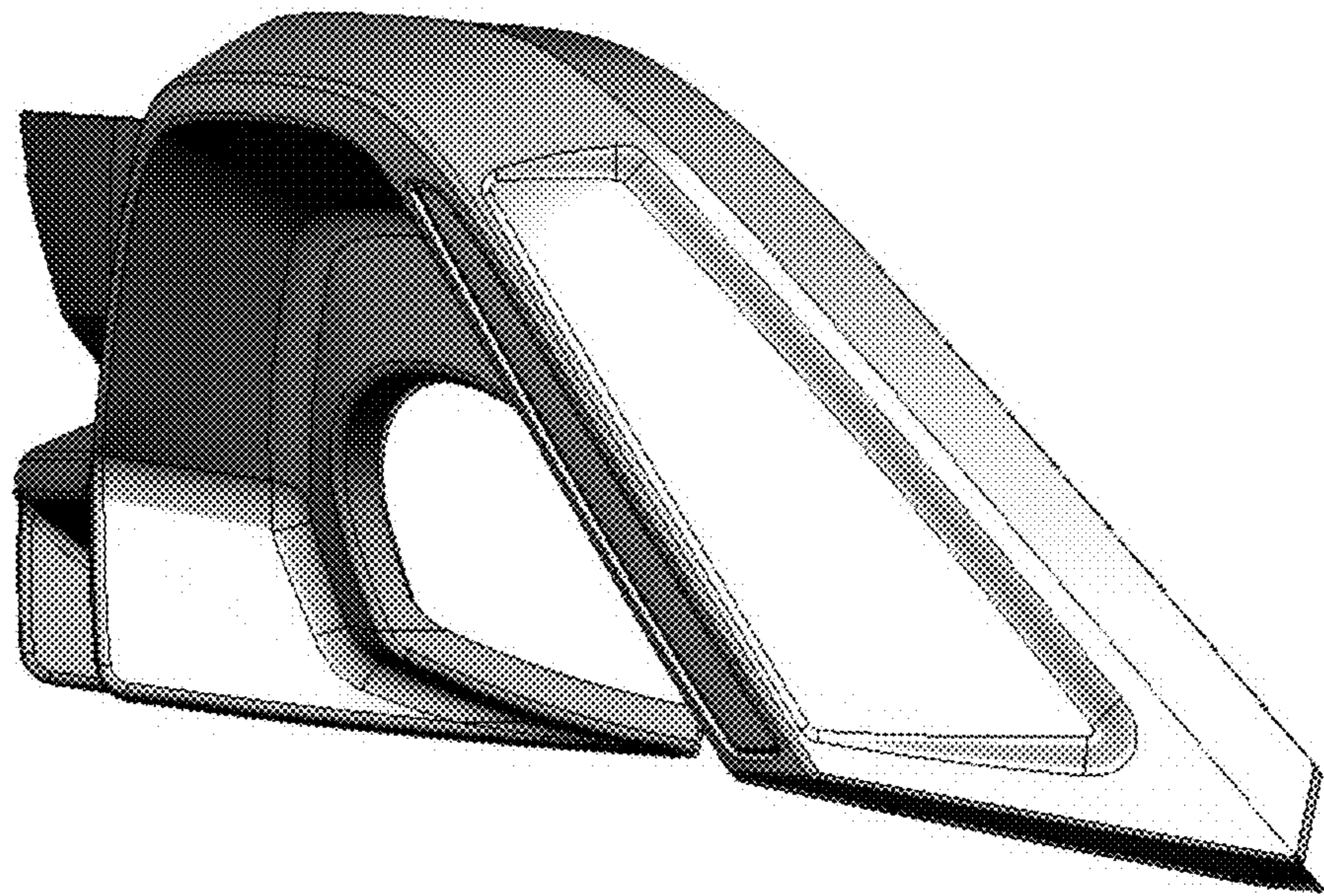
1.3



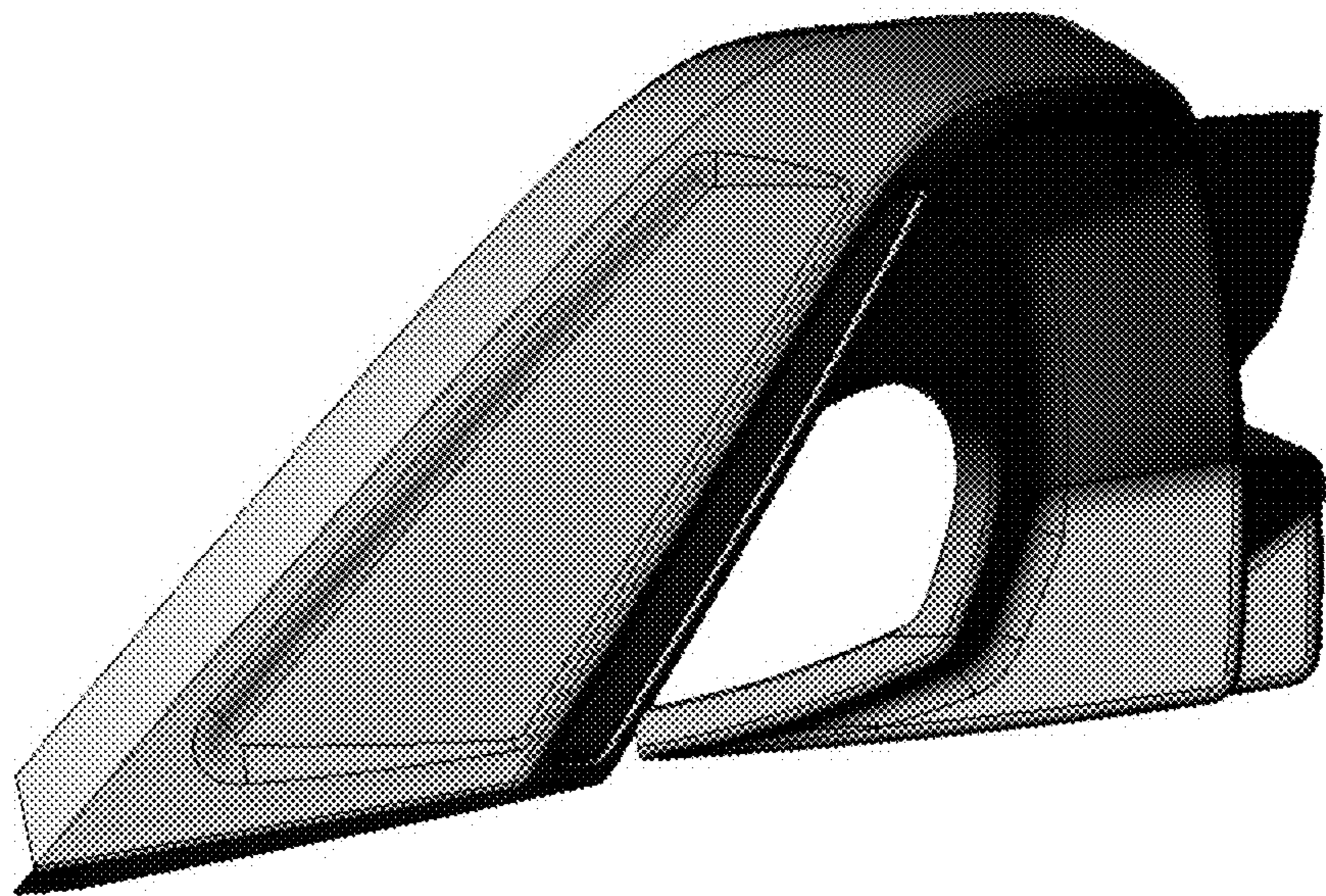
1.4



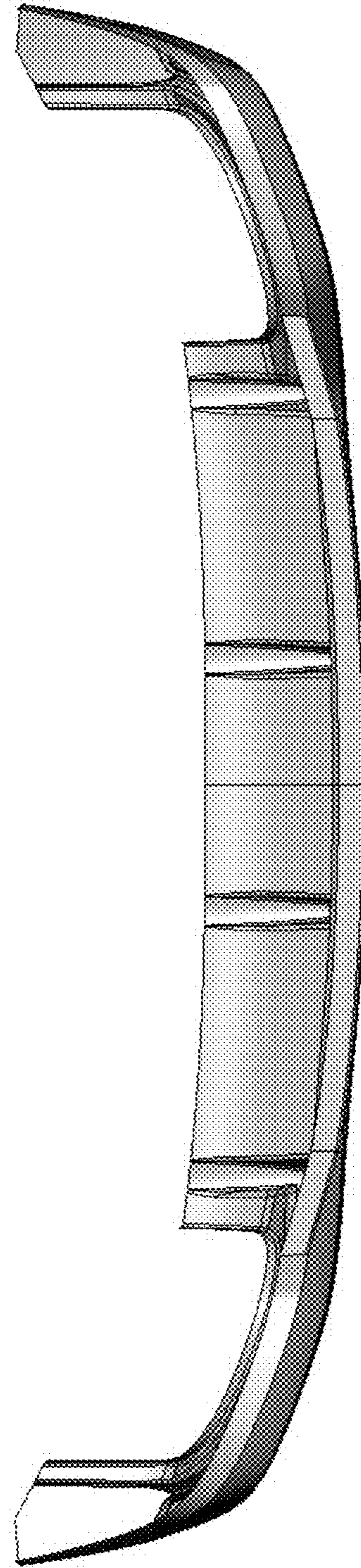
1.5



1.6

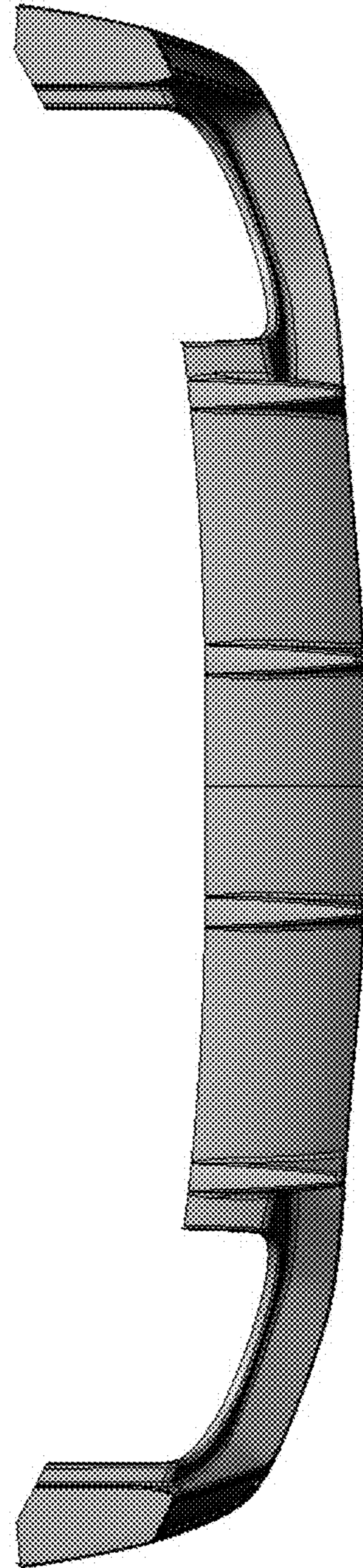


1.7





1.8



1.9

