



US00D958025S

(12) **United States Design Patent**
Nakagawa

(10) **Patent No.:** **US D958,025 S**

(45) **Date of Patent:** **** Jul. 19, 2022**

(54) **FRONT BUMPER FOR AN AUTOMOBILE**

(71) Applicant: **Nissan Motor Co., Ltd.**, Kanagawa (JP)

(72) Inventor: **Shinichi Nakagawa**, Kanagawa (JP)

(73) Assignee: **Nissan Motor Co., Ltd.**, Yokohama (JP)

(**) Term: **15 Years**

(21) Appl. No.: **29/771,982**

(22) Filed: **Feb. 26, 2021**

(30) **Foreign Application Priority Data**

Aug. 31, 2020 (JP) 2020-018358

(51) **LOC (13) Cl.** **12-16**

(52) **U.S. Cl.**
USPC **D12/169**

(58) **Field of Classification Search**
USPC D12/169, 163, 196, 86, 90-92;
296/180.1, 180.2; 293/102, 113, 115,
293/117, 120

CPC B60R 19/52; B60R 2019/25; B62D 25/084
See application file for complete search history.

(56) **References Cited**

U.S. PATENT DOCUMENTS

D666,129 S * 8/2012 Iida D12/163
D671,036 S * 11/2012 Inatomi D12/92
D671,458 S * 11/2012 Lee D12/92
D672,695 S * 12/2012 Inatomi D12/164
D679,635 S * 4/2013 Sugimoto D12/164
D685,698 S * 7/2013 Takei D12/164
D705,705 S * 5/2014 Matsumoto D12/169
D706,180 S * 6/2014 Sakae D12/164
D707,594 S * 6/2014 Matsumoto D12/169
D715,195 S * 10/2014 Tomatsu D12/92

D715,709 S * 10/2014 Matsumoto D12/169
D716,699 S * 11/2014 Sakae D12/92
D716,700 S * 11/2014 Matsumoto D12/92
D721,992 S * 2/2015 Takei D12/169
D723,427 S * 3/2015 Takei D12/92
D725,000 S * 3/2015 Hirai D12/92
D733,012 S * 6/2015 Kim D12/164
D733,621 S * 7/2015 Ikuma D12/169
D735,079 S * 7/2015 Sperling D12/92

(Continued)

FOREIGN PATENT DOCUMENTS

JP D1597104 S 2/2018
JP D1645244 S 11/2019

(Continued)

Primary Examiner — Melody N Brown

(74) *Attorney, Agent, or Firm* — Global IP Counselors, LLP

(57) **CLAIM**

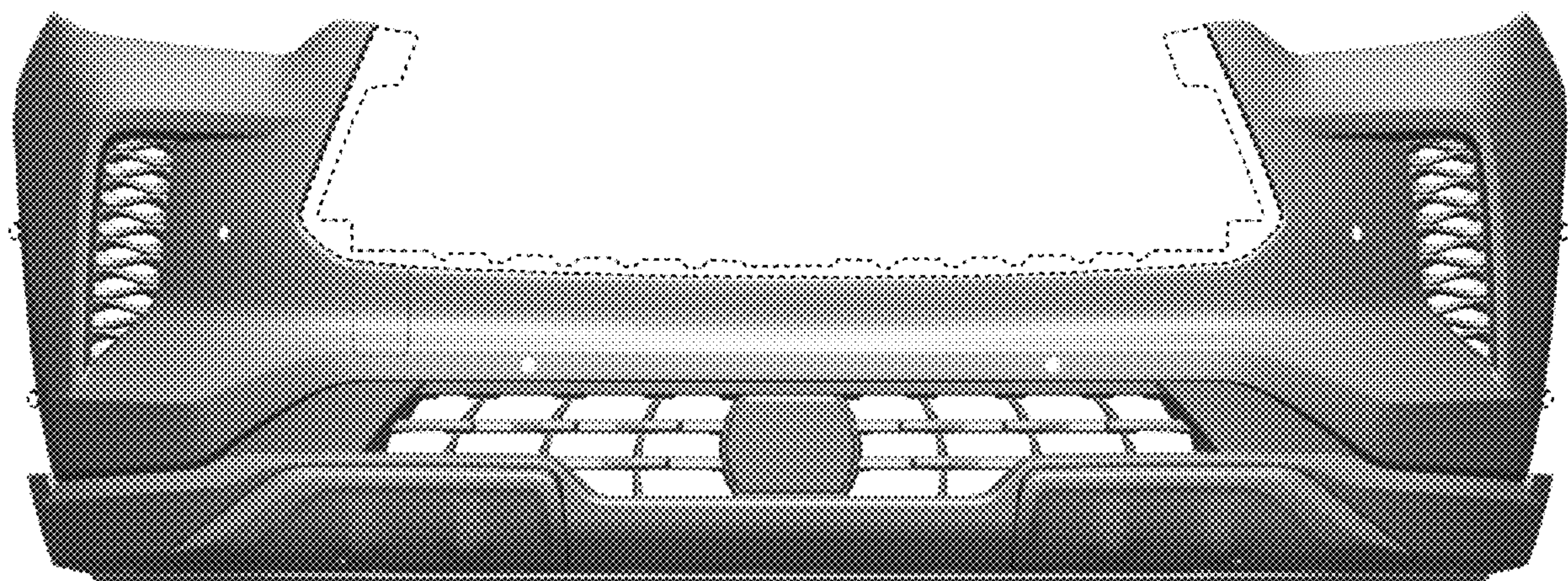
The ornamental design for a front bumper for an automobile, as shown and described.

DESCRIPTION

FIG. 1 is a front perspective view of a front bumper for an automobile showing my new design;
FIG. 2 is another front perspective view thereof;
FIG. 3 is a front elevational view thereof;
FIG. 4 is a top plan view thereof;
FIG. 5 is a bottom plan view thereof;
FIG. 6 is a right side elevational view thereof; and,
FIG. 7 is a left side elevational view thereof.

The rear view of the front bumper forms no part of the claimed design. The inside surfaces and mounting surfaces of the front bumper, shown in broken lines in FIGS. 1-7, form no part of the claimed design since these surfaces are hidden when the front bumper is mounted to the automobile.

1 Claim, 7 Drawing Sheets



(56)

References Cited

U.S. PATENT DOCUMENTS

D737,182 S * 8/2015 Takei D12/169
 D737,737 S * 9/2015 Kim D12/169
 D743,845 S * 11/2015 Hirai D12/92
 D748,021 S * 1/2016 Iwanaga D12/169
 D751,955 S * 3/2016 Takei D12/169
 D751,956 S * 3/2016 Hirai D12/169
 D751,957 S * 3/2016 Tomatsu D12/169
 D751,958 S * 3/2016 Tomatsu D12/169
 D752,486 S * 3/2016 Sperling D12/169
 D754,577 S * 4/2016 Kubo D12/169
 D755,092 S * 5/2016 Isogai D12/164
 D775,011 S * 12/2016 Okue D12/169
 D780,647 S * 3/2017 Kanasugi D12/169
 D784,214 S * 4/2017 Kanasugi D12/169
 D800,032 S * 10/2017 Yokoi D12/169
 D800,033 S * 10/2017 Yokoi D12/169
 D813,736 S * 3/2018 Jevremovic D12/169
 D823,740 S * 7/2018 Suga D12/169
 D839,150 S * 1/2019 Roller D12/169
 D839,151 S * 1/2019 Cartabiano D12/169

D841,538 S * 2/2019 Izuoka D12/169
 D841,539 S * 2/2019 Yamaji D12/169
 D842,176 S * 3/2019 Lee D12/169
 D842,775 S * 3/2019 Lee D12/169
 D859,242 S * 9/2019 Iida D12/169
 D859,243 S * 9/2019 Kimura D12/169
 D908,553 S * 1/2021 Bischoff D12/163
 D934,751 S * 11/2021 Taubert D12/169
 D934,754 S * 11/2021 Minamiyama D12/169
 D935,957 S * 11/2021 Isogai D12/169
 D939,403 S * 12/2021 Matsumoto D12/169
 D939,404 S * 12/2021 Takeda D12/169
 D940,017 S * 1/2022 Utsunomiya D12/169

FOREIGN PATENT DOCUMENTS

JP D1645245 S 11/2019
 JP D1651419 S 1/2020
 JP D1671550 S 11/2020
 JP D1663801 S 1/2021
 JP D1659143 S 5/2021

* cited by examiner

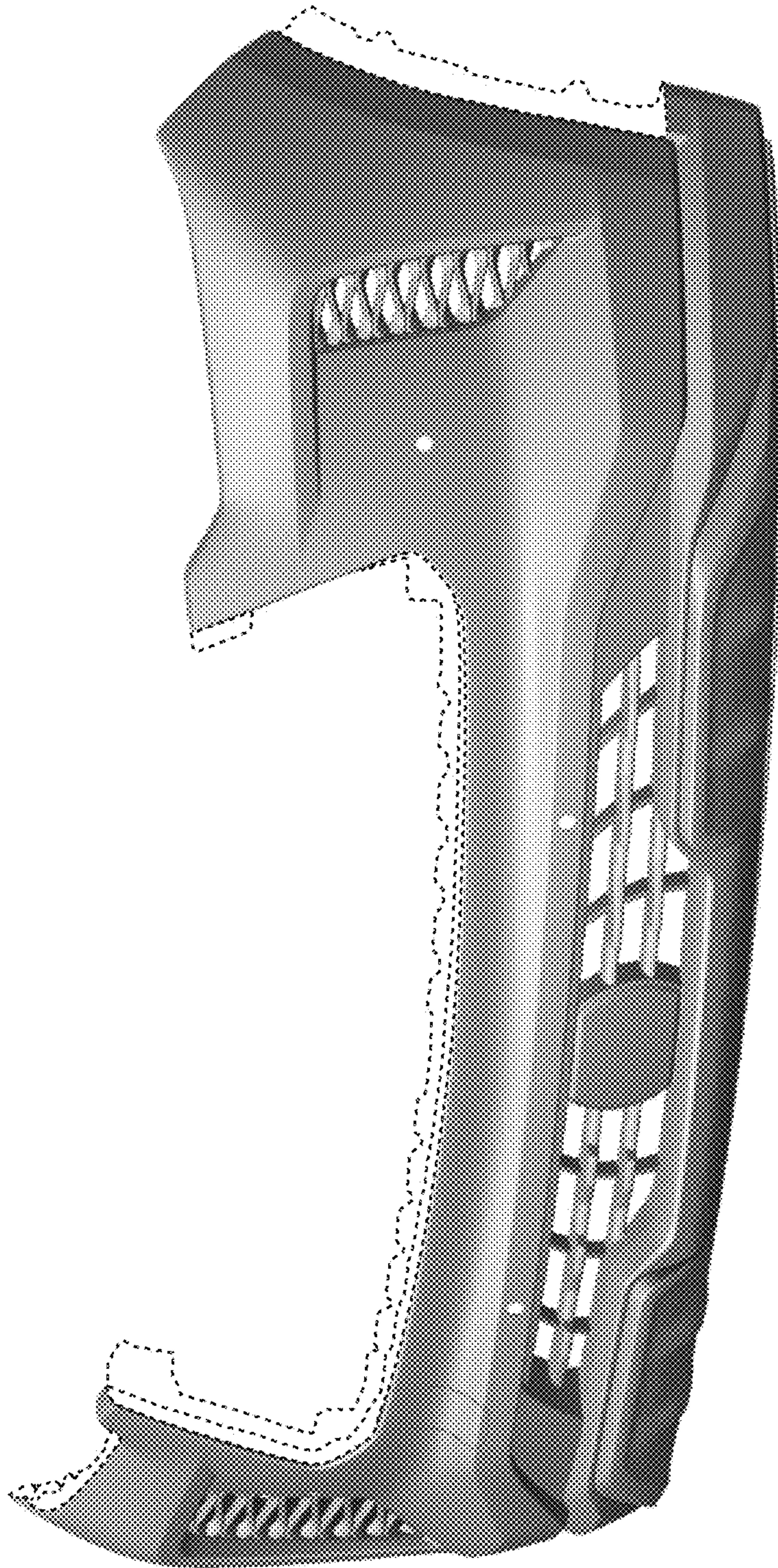


FIG. 1

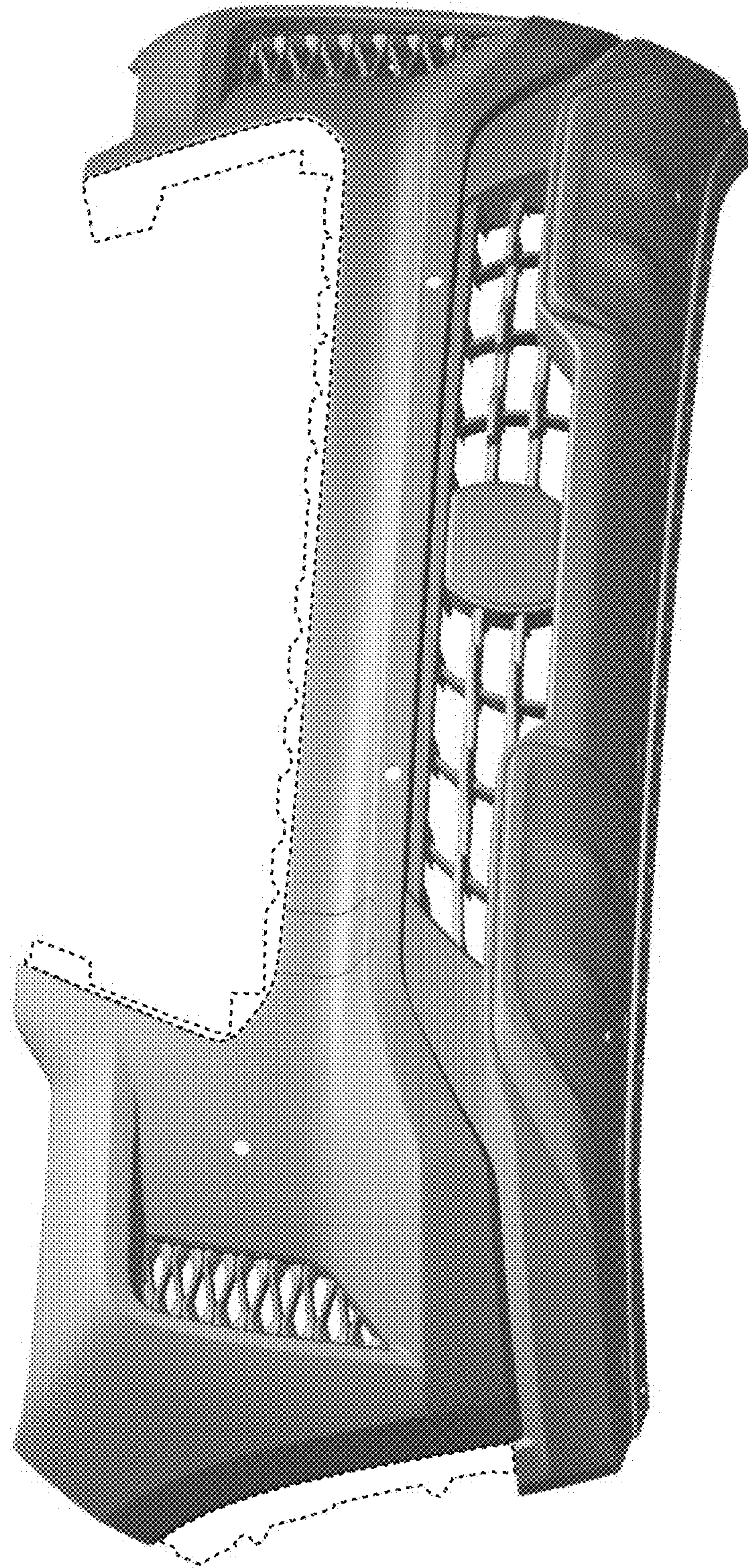


FIG. 2

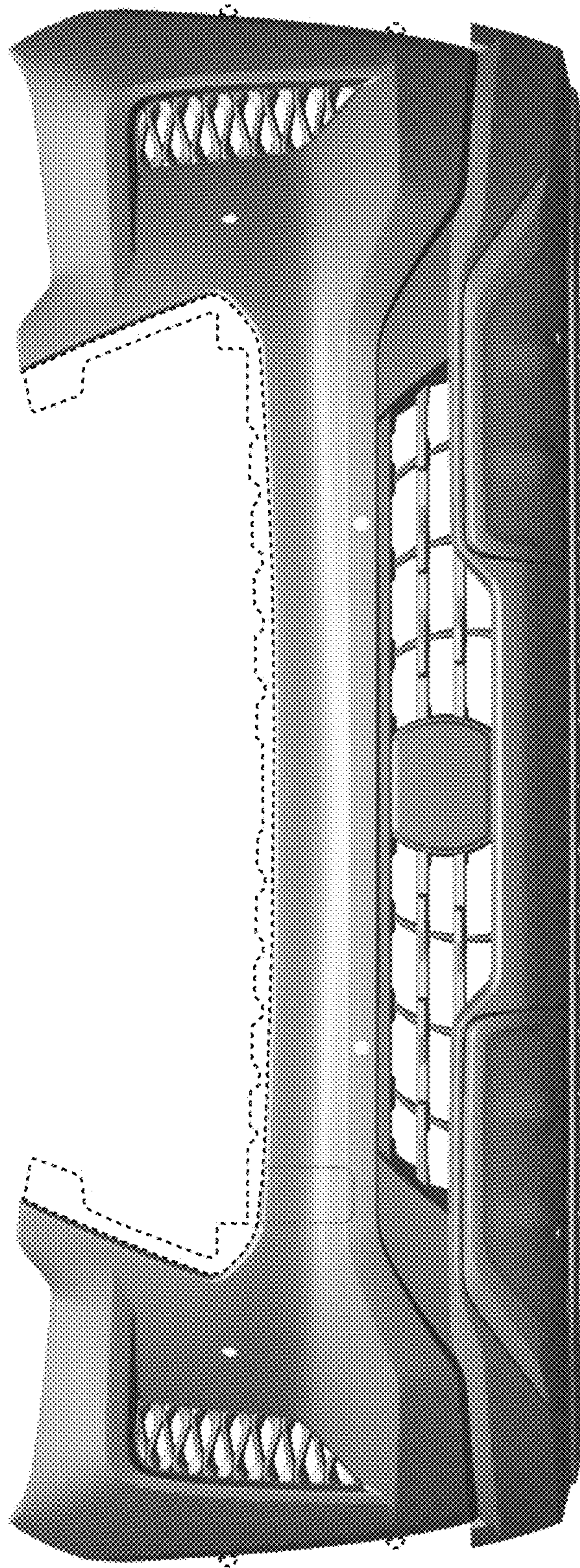


FIG. 3

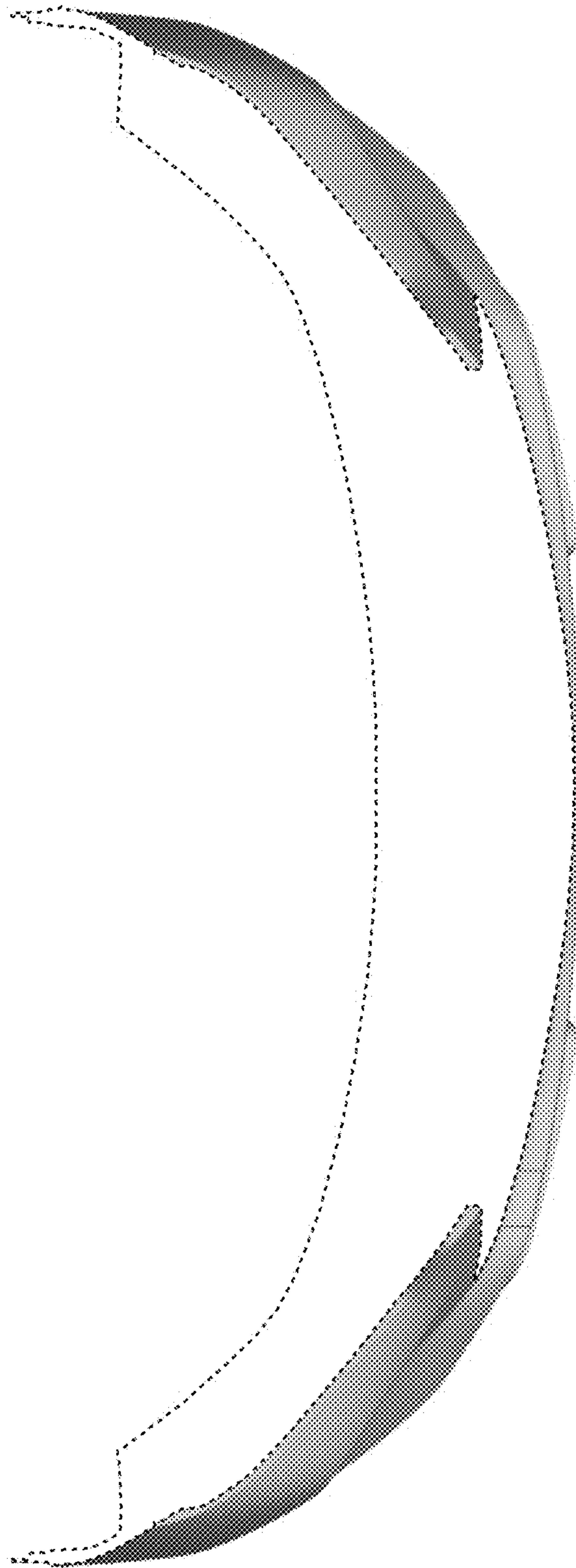


FIG. 4

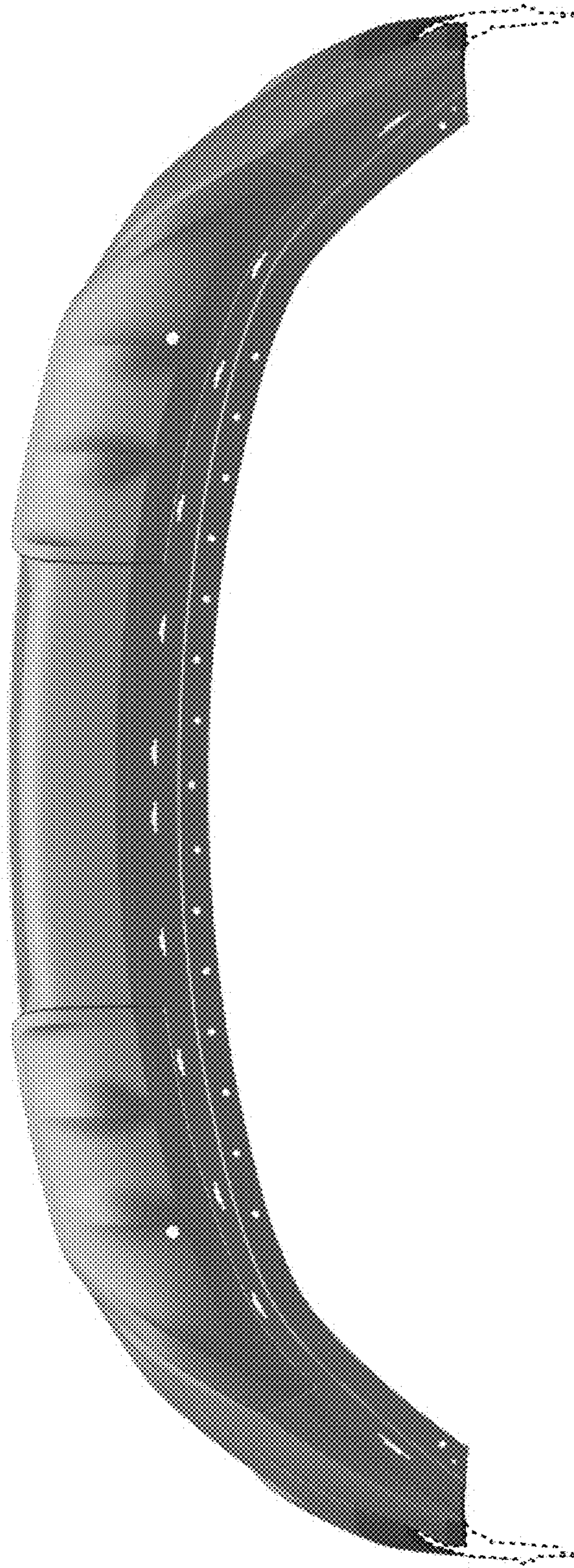


FIG. 5

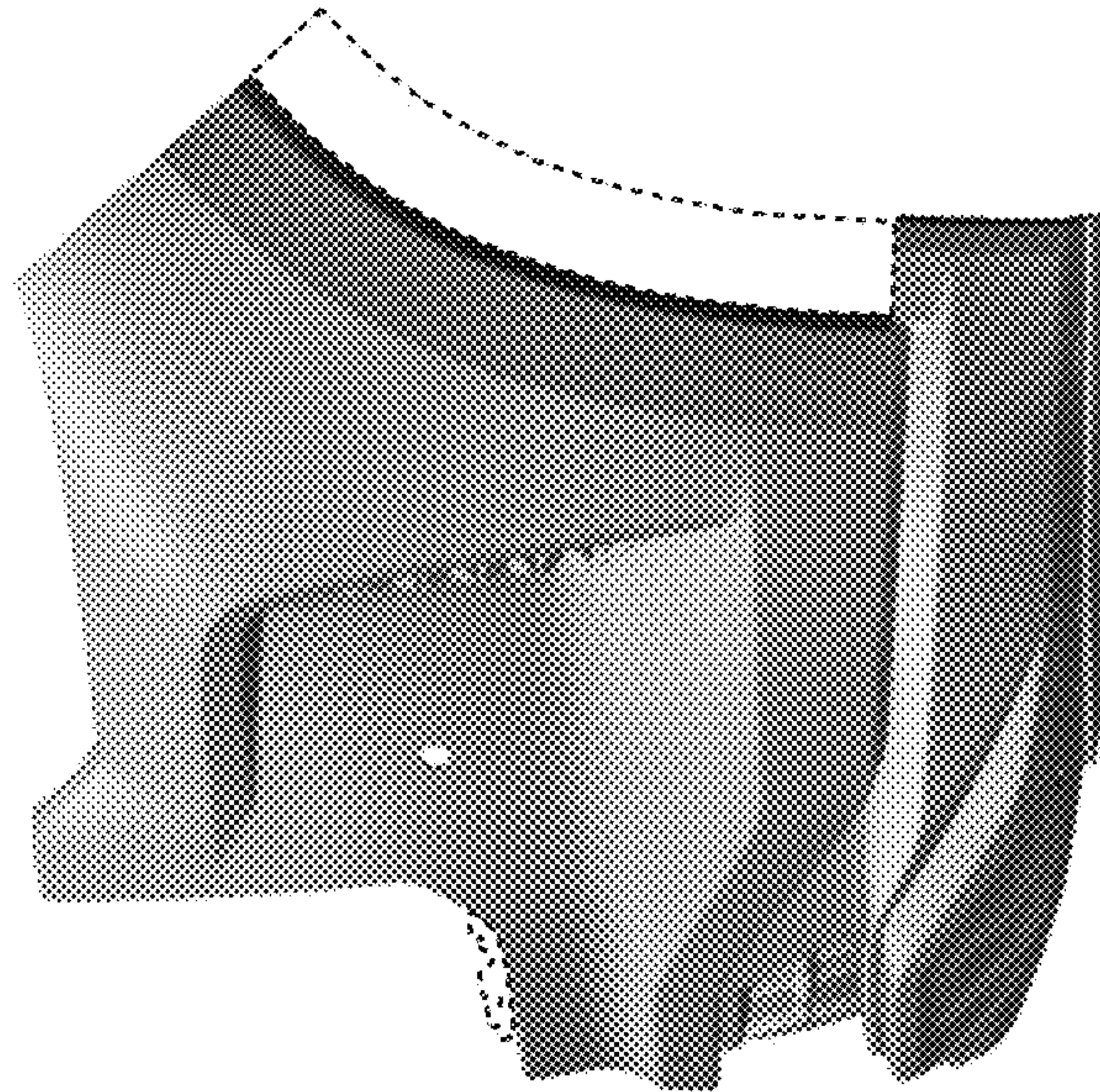


FIG. 6

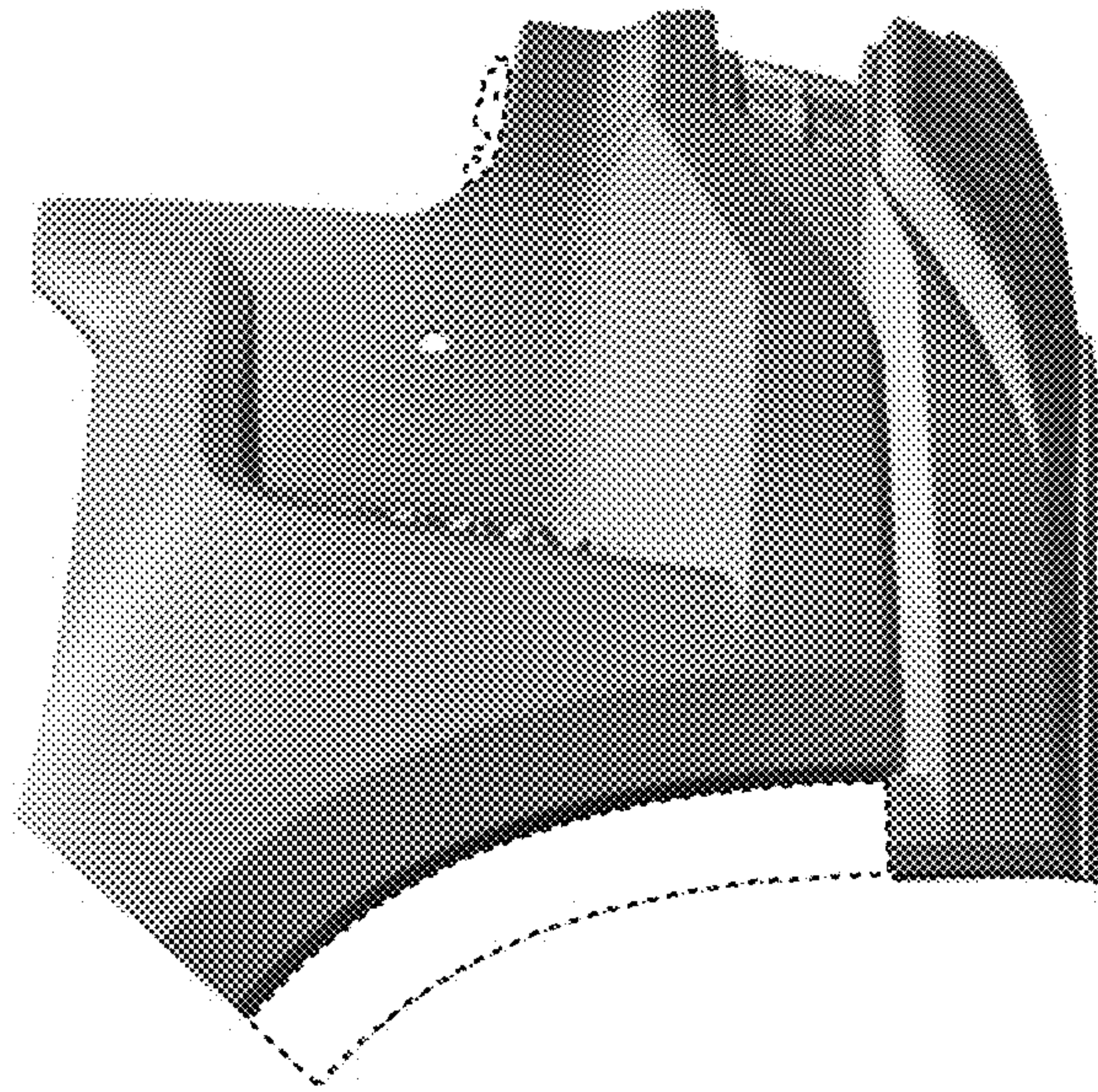


FIG. 7