



US00D958023S

(12) **United States Design Patent**
Nakagawa et al.

(10) **Patent No.:** **US D958,023 S**
(45) **Date of Patent:** **** Jul. 19, 2022**

(54) **FRONT BUMPER FOR AN AUTOMOBILE**

FOREIGN PATENT DOCUMENTS

- (71) Applicant: **Nissan Motor Co., Ltd.**, Kanagawa (JP)
- (72) Inventors: **Shinichi Nakagawa**, Kanagawa (JP); **Yang Lyu**, San Diego, CA (US)
- (73) Assignee: **Nissan Motor Co., Ltd.**, Yokohama (JP)
- (**) Term: **15 Years**

JP	D1480996 S	1/2014
JP	D1503982 S	8/2014
JP	D1504315 S	8/2014
JP	D1539262 S	5/2018
JP	D1537832 S	11/2018
JP	D1619032 S	11/2018
JP	D1619197 S	11/2018
JP	D1623262 S	7/2019
JP	D1643690 S	10/2019
JP	D1643966 S	10/2019
JP	D1644096 S	5/2020

(Continued)

(21) Appl. No.: **29/770,696**

Primary Examiner — Melody N Brown

(22) Filed: **Feb. 16, 2021**

(74) *Attorney, Agent, or Firm* — Global IP Counselors, LLP

(30) **Foreign Application Priority Data**

Aug. 17, 2020 (JP) 2020-017082

(51) **LOC (13) Cl.** **12-16**

(52) **U.S. Cl.**
USPC **D12/169**

(58) **Field of Classification Search**
USPC D12/169, 163, 196, 86, 90-92;
296/180.1, 180.2; 293/102, 113, 115,
293/117, 120

CPC B60R 19/52; B60R 2019/25; B62D 25/084
See application file for complete search history.

(56) **References Cited**

U.S. PATENT DOCUMENTS

D685,698 S	*	7/2013	Takei	D12/164
D932,389 S	*	10/2021	Hayashi	D12/169
D935,957 S	*	11/2021	Isogai	D12/169
D935,958 S	*	11/2021	Isogai	D12/169
D938,319 S	*	12/2021	Iwanaga	D12/169
D939,402 S	*	12/2021	Kushima	D12/169
D939,403 S	*	12/2021	Matsumoto	D12/169
D939,404 S	*	12/2021	Takeda	D12/169
D939,405 S	*	12/2021	Kobayashi	D12/169

(57) **CLAIM**

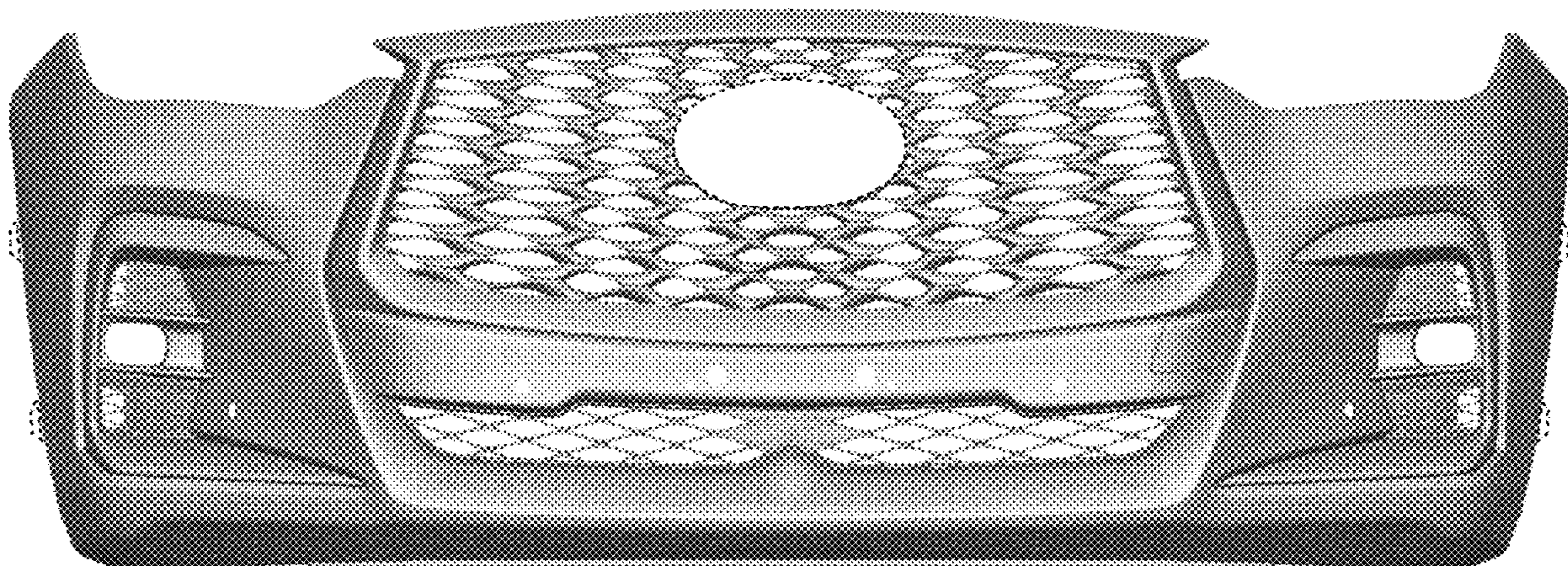
The ornamental design for a front bumper for an automobile, as shown and described.

DESCRIPTION

FIG. 1 is a front perspective view of a front bumper for an automobile showing our new design;
FIG. 2 is another front perspective view thereof;
FIG. 3 is a front elevational view thereof;
FIG. 4 is a top plan view thereof;
FIG. 5 is a bottom plan view thereof;
FIG. 6 is a right side elevational view thereof; and,
FIG. 7 is a left side elevational view thereof.

The rear view of the front bumper forms no part of the claimed design. The inside surfaces and mounting surfaces of the front bumper, shown in broken lines in FIGS. 1-7, form no part of the claimed design since these surfaces are hidden when the front bumper is mounted to the automobile.

1 Claim, 7 Drawing Sheets



(56)

References Cited

FOREIGN PATENT DOCUMENTS

JP	D1652027 S	5/2020
JP	D1652182 S	5/2020
JP	D1663263 S	12/2020
JP	D1663532 S	2/2021
JP	D1663599 S	2/2021
JP	D1663531 S	3/2021
JP	D1688492 S	1/2022
JP	D1688562 S	1/2022
JP	D1689457 S	1/2022

* cited by examiner

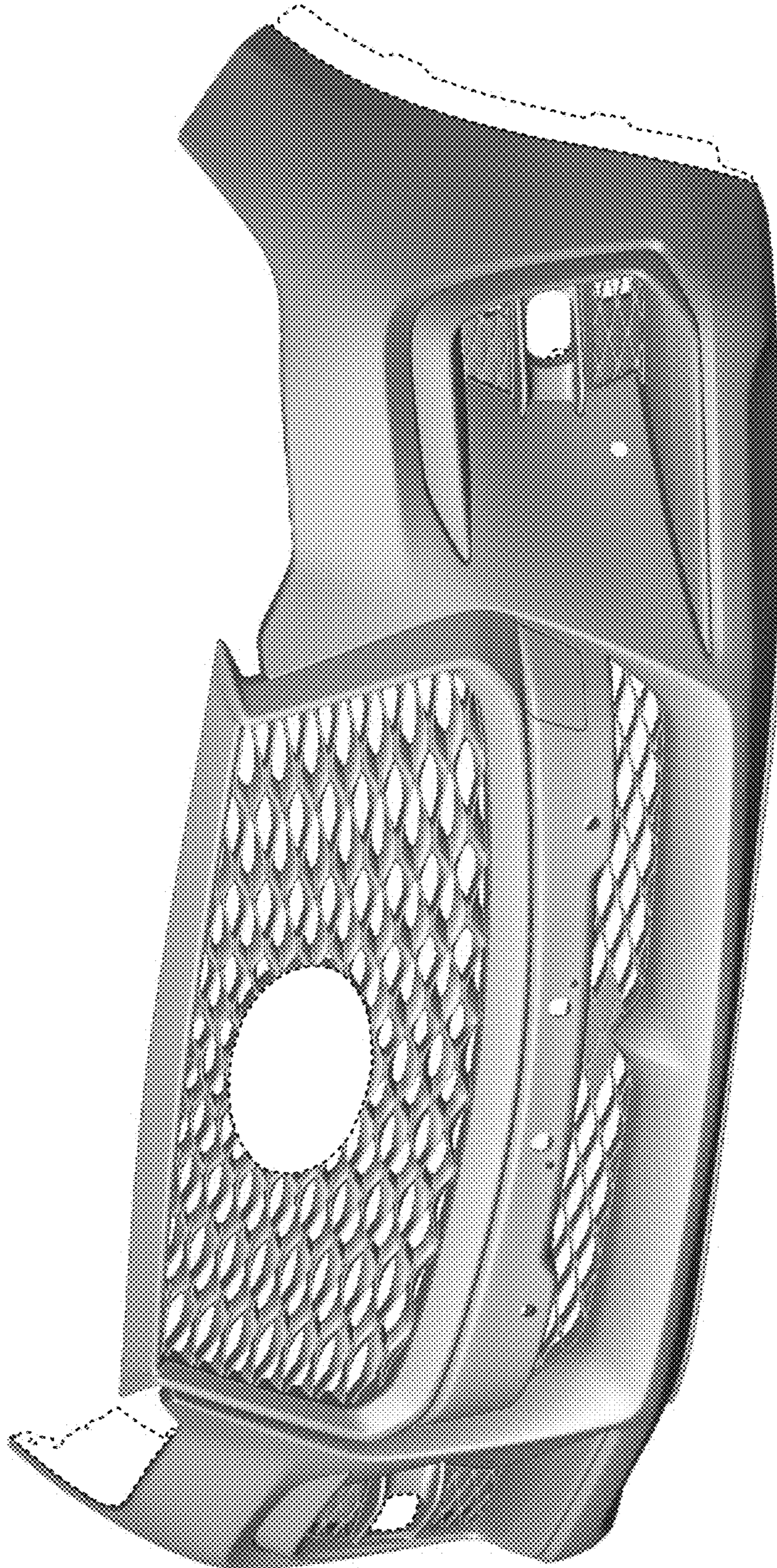


FIG. 1

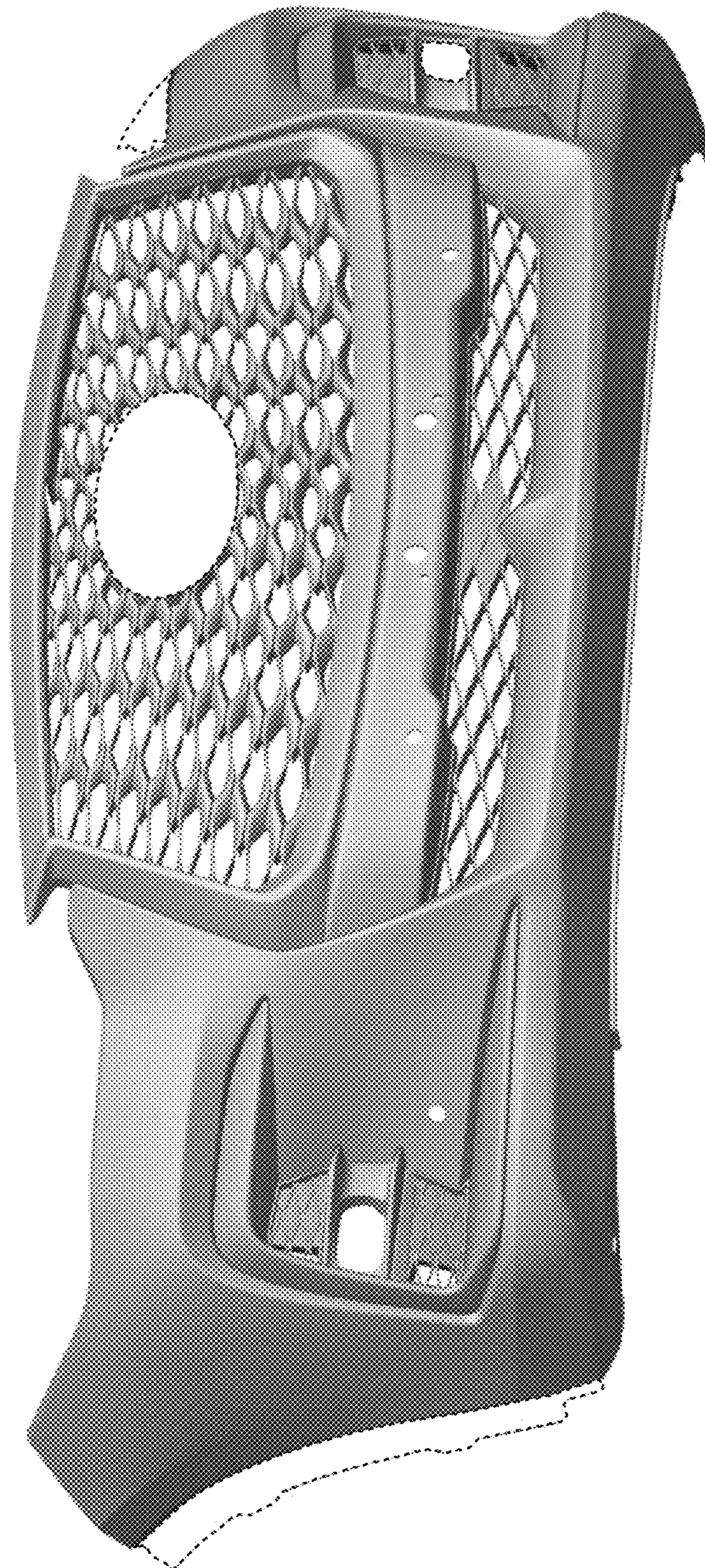


FIG. 2

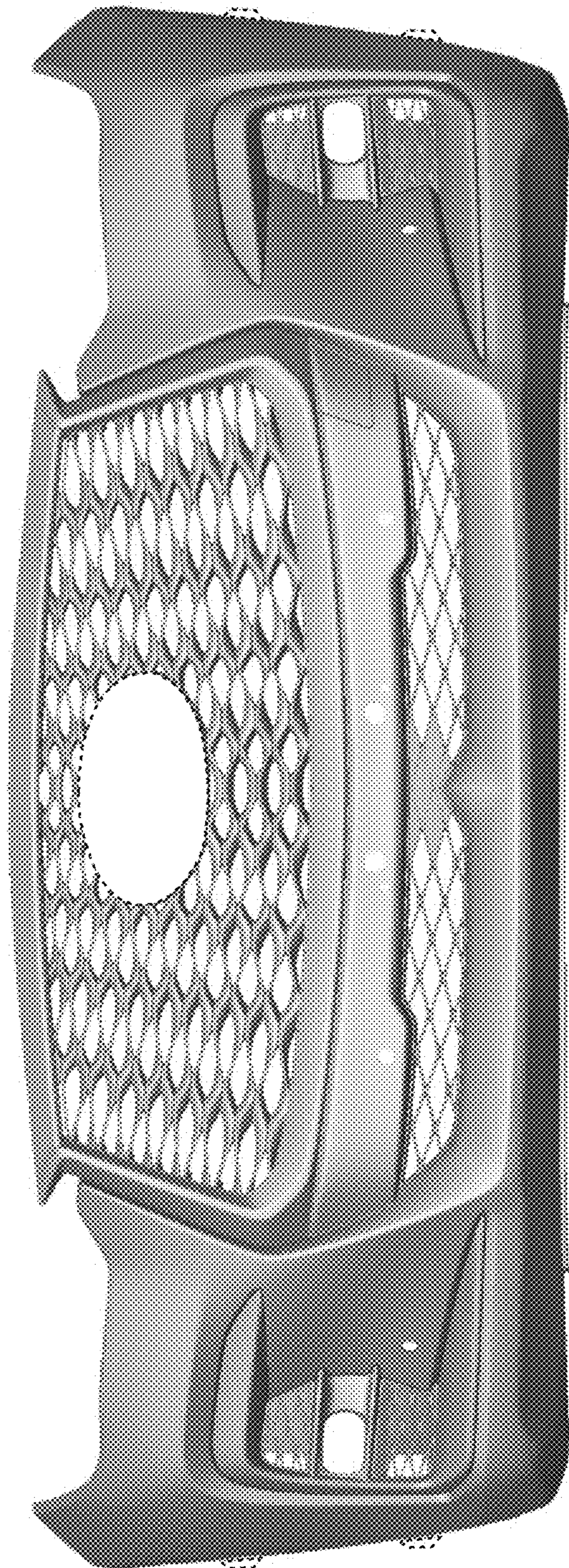


FIG. 3

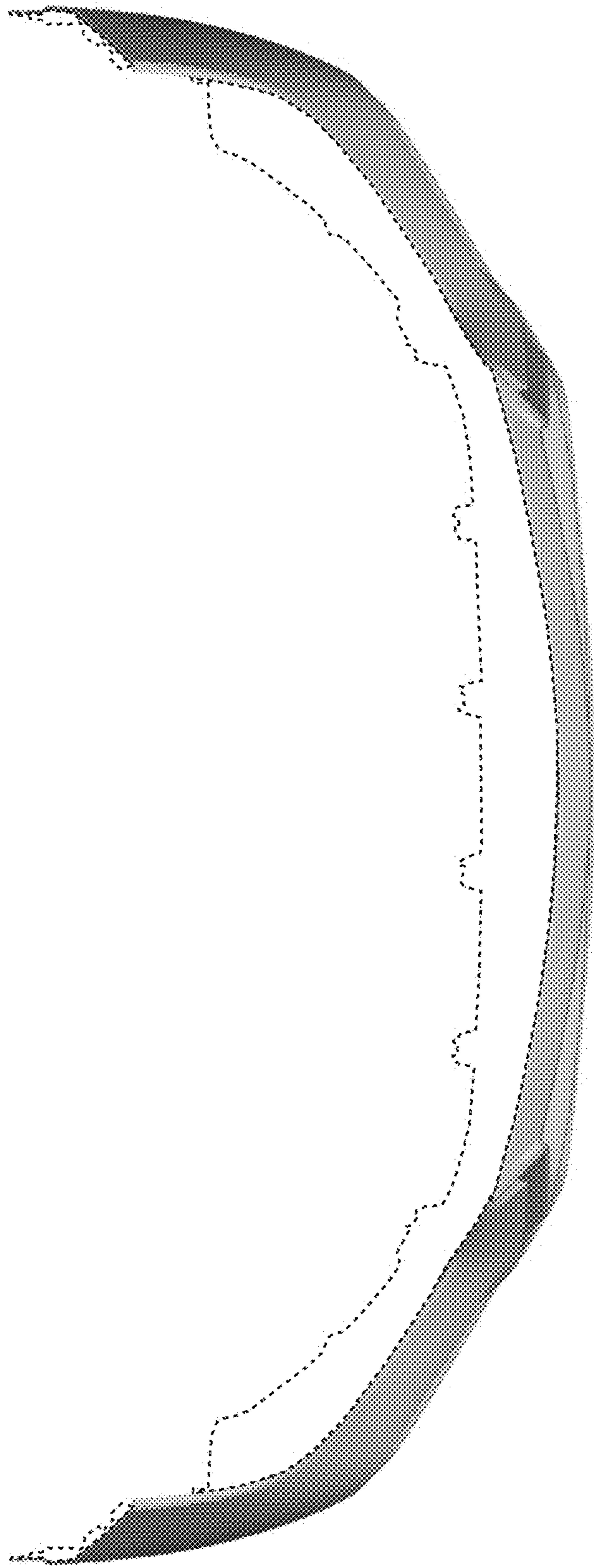


FIG. 4

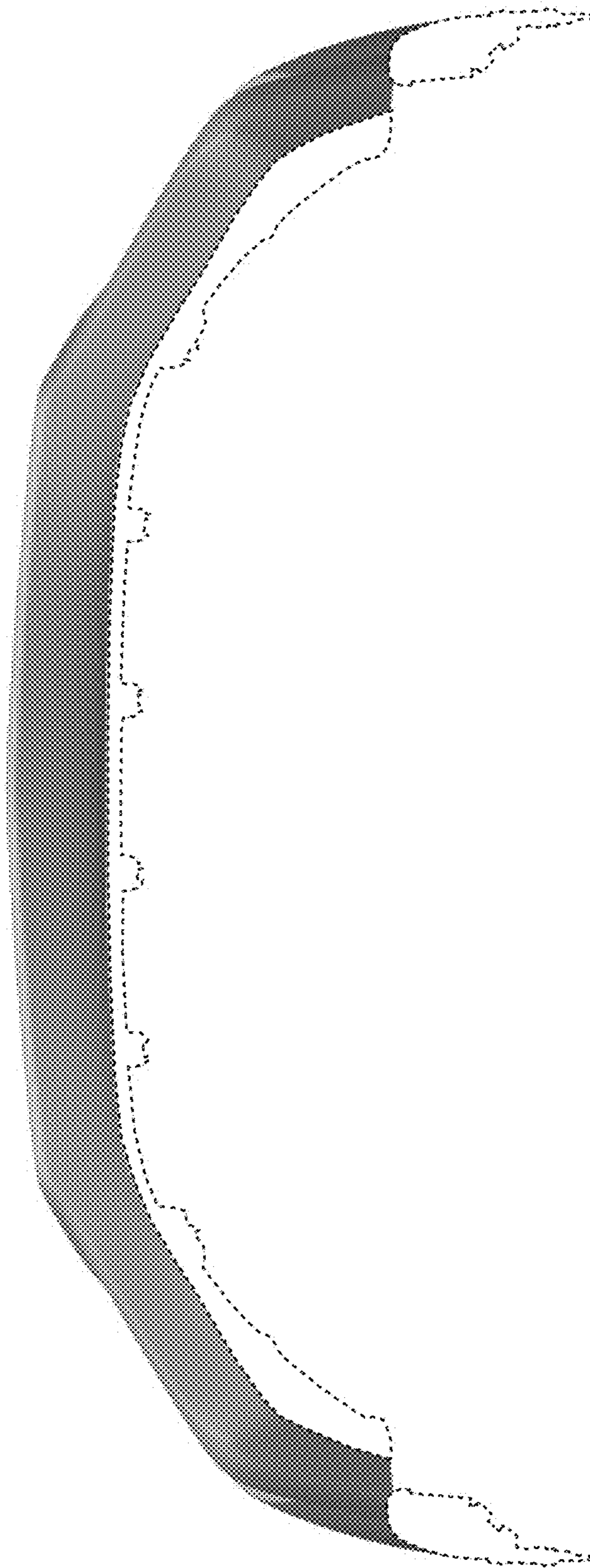


FIG. 5

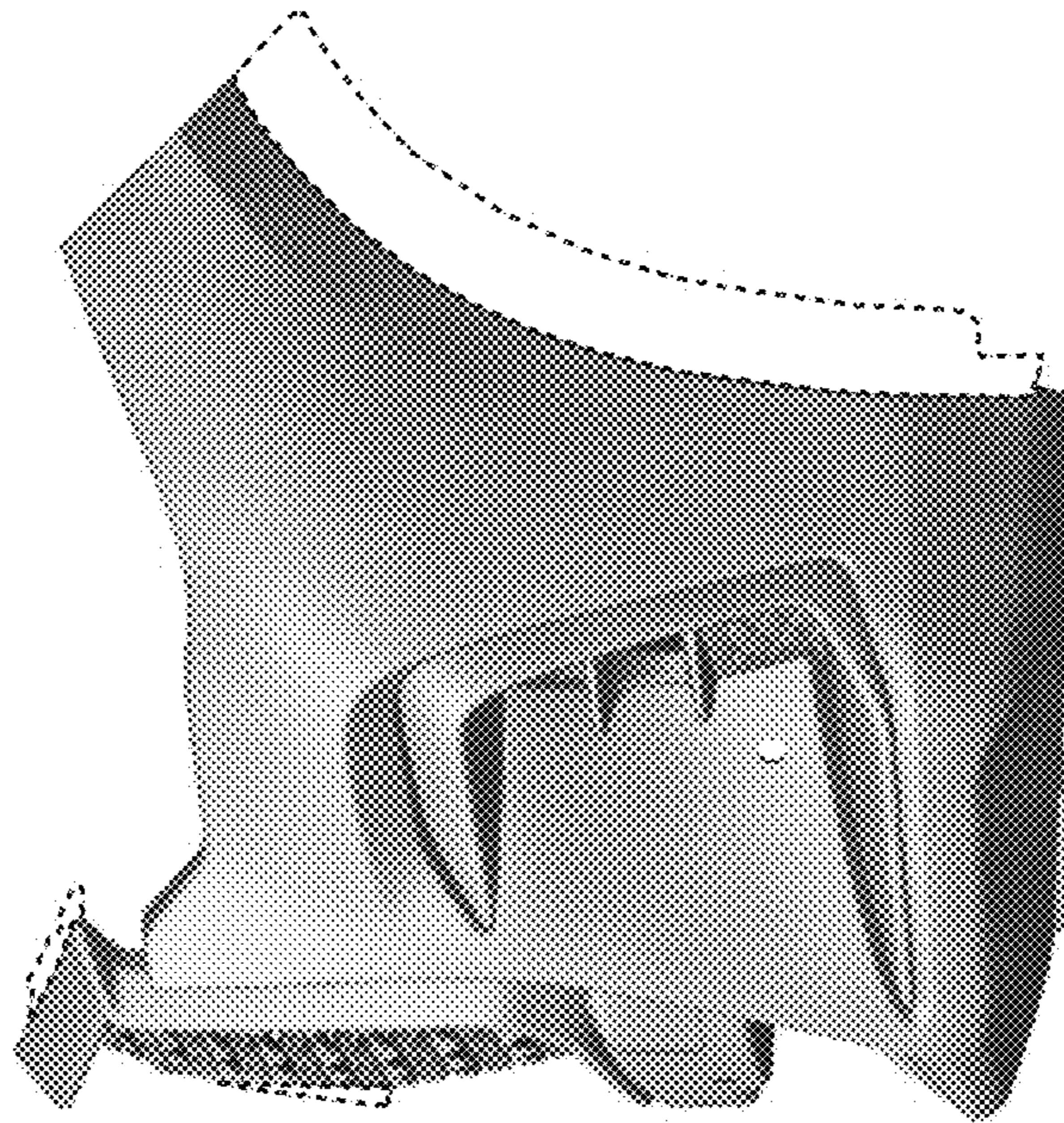


FIG. 6

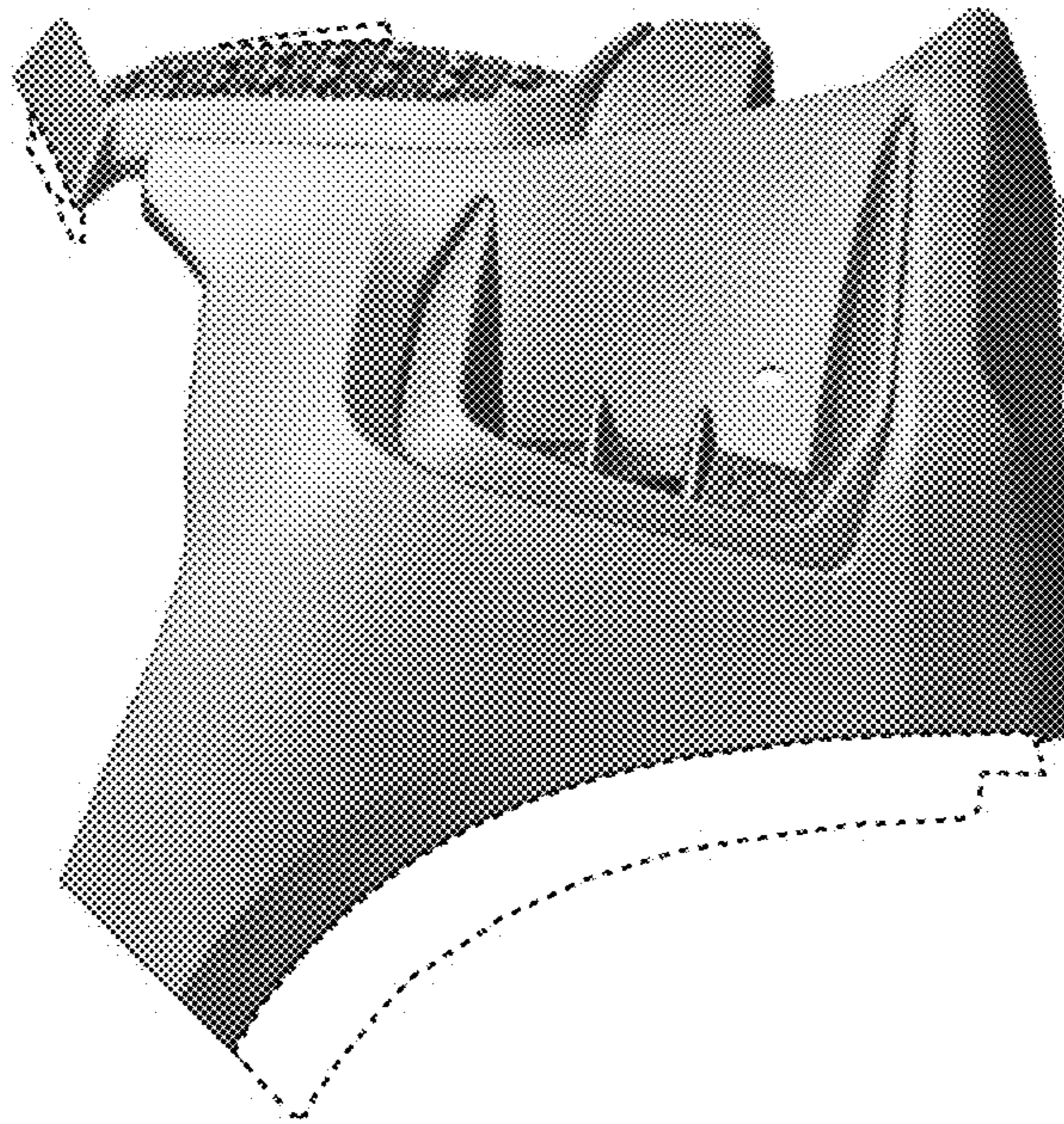


FIG. 7