



US00D958020S

(12) **United States Design Patent** (10) **Patent No.:** **US D958,020 S**
Pena (45) **Date of Patent:** **** Jul. 19, 2022**

(54) **FRONT BUMPER FOR A VEHICLE**

D873,727 S * 1/2020 Schneider D12/169
D890,649 S 7/2020 Kang
D890,650 S * 7/2020 Kang D12/169

(71) Applicant: **Bayerische Motoren Werke Aktiengesellschaft, Munich (DE)**

FOREIGN PATENT DOCUMENTS

(72) Inventor: **Jose Alberto Casas Pena, Munich (DE)**

WO WO DM/067152 12/2005
WO WO DM/078976 2/2013
WO WO DM/084986 5/2015
WO WO DM/207240 8/2020

(73) Assignee: **Bayerische Motoren Werke Aktiengesellschaft, Munich (DE)**

* cited by examiner

(**) Term: **15 Years**

Primary Examiner — Melody N Brown

(21) Appl. No.: **29/765,989**

(74) *Attorney, Agent, or Firm* — Crowell & Moring LLP

(22) Filed: **Jan. 13, 2021**

(57) **CLAIM**

The ornamental design for a front bumper for a vehicle, as shown and described.

(30) **Foreign Application Priority Data**

DESCRIPTION

Jul. 21, 2020 (DE) 402020100678.5

(51) **LOC (13) Cl.** **12-16**

(52) **U.S. Cl.**
USPC **D12/169**

(58) **Field of Classification Search**
USPC D12/169, 164, 196, 171, 86, 90-92;
296/180.1, 180.2

CPC B60R 19/02; B60R 19/04; B62D 25/08
See application file for complete search history.

This application contains subject matter related to the following co-pending U.S. design patent applications:

Application Ser. No. 29/725,347, filed Feb. 25, 2020 and entitled "Front Bumper for a Vehicle"; and

Application Ser. No. 29/765,982, filed herewith and entitled "Front Bumper for a Vehicle".

FIG. 1 is a front view of a front bumper for a vehicle according to the design;

FIG. 2 is a right, front perspective view thereof;

FIG. 3 is a left, bottom perspective view thereof;

FIG. 4 is a right side view thereof;

FIG. 5 is a left side view thereof;

FIG. 6 is a top view thereof;

FIG. 7 is a bottom view thereof; and,

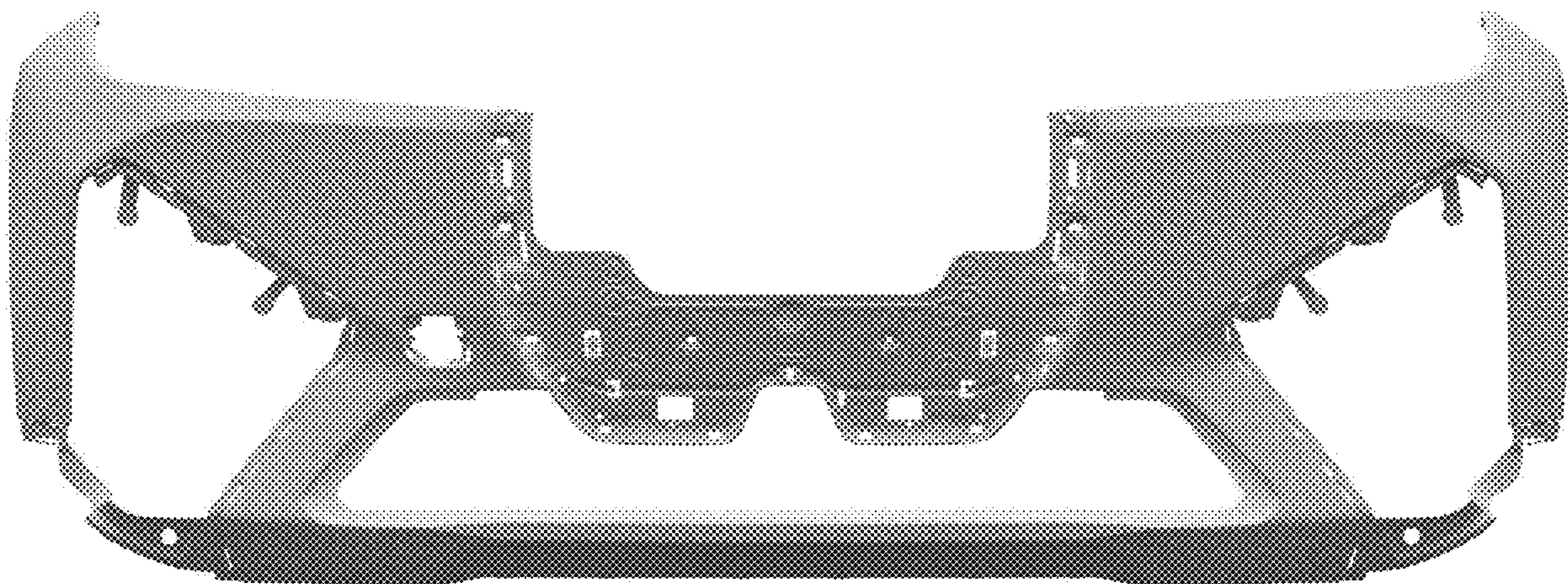
FIG. 8 is a rear view thereof.

(56) **References Cited**

U.S. PATENT DOCUMENTS

D546,737 S 7/2007 Hettier
D825,412 S 8/2018 Luk
D845,848 S * 4/2019 Kang D12/169
D855,510 S * 8/2019 Nissl D12/169

1 Claim, 8 Drawing Sheets



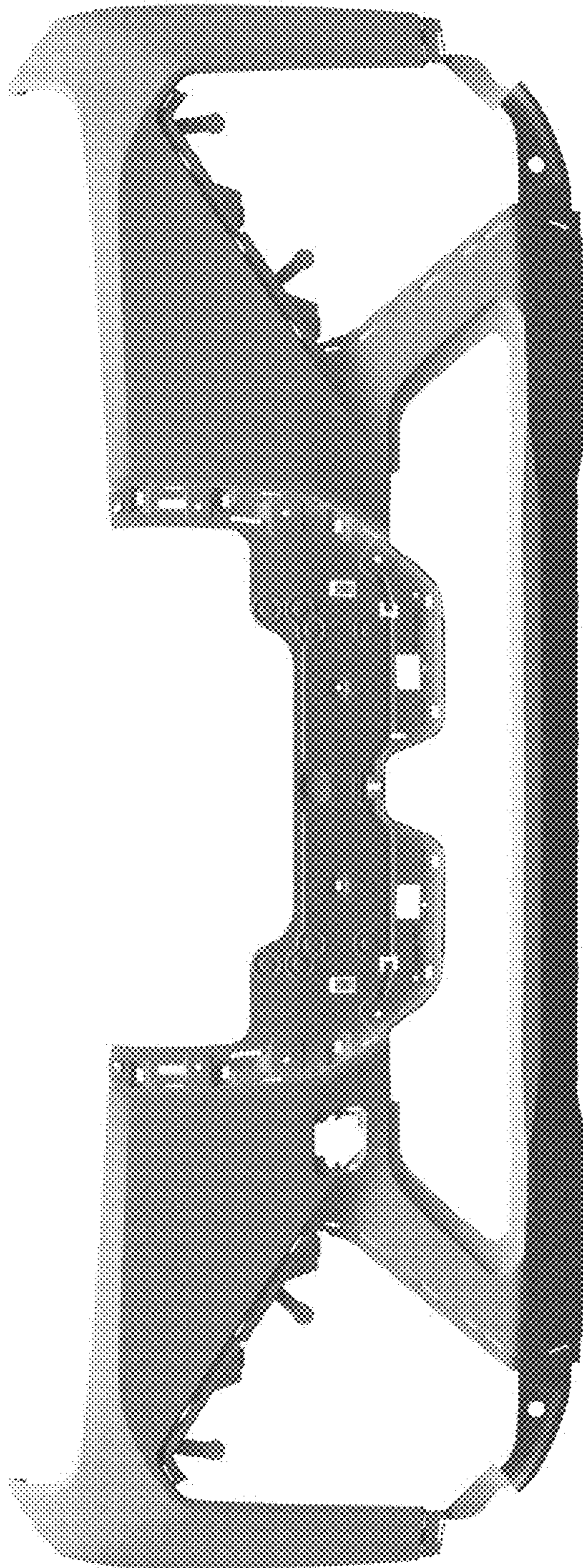


Fig. 1

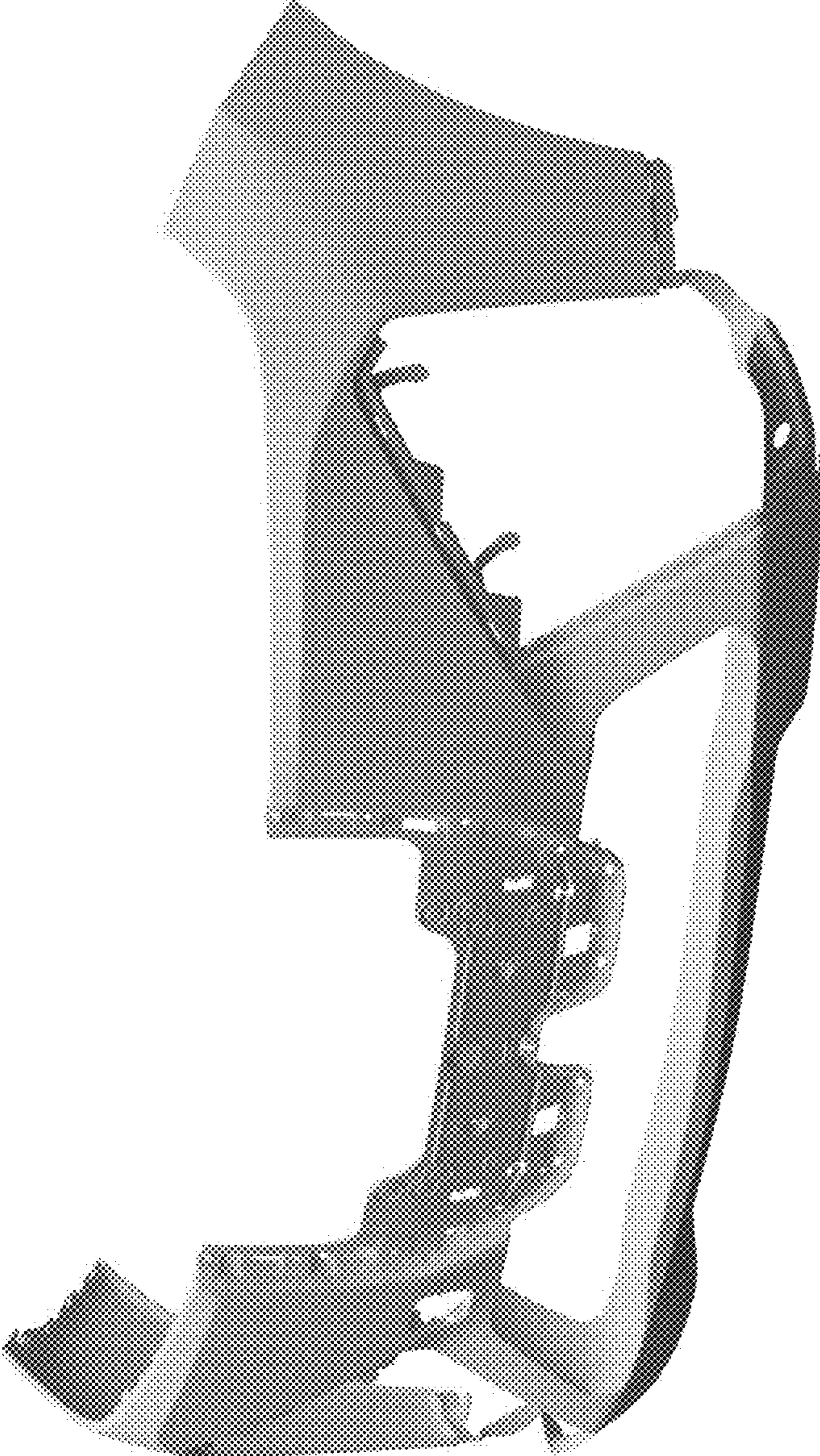


Fig. 2

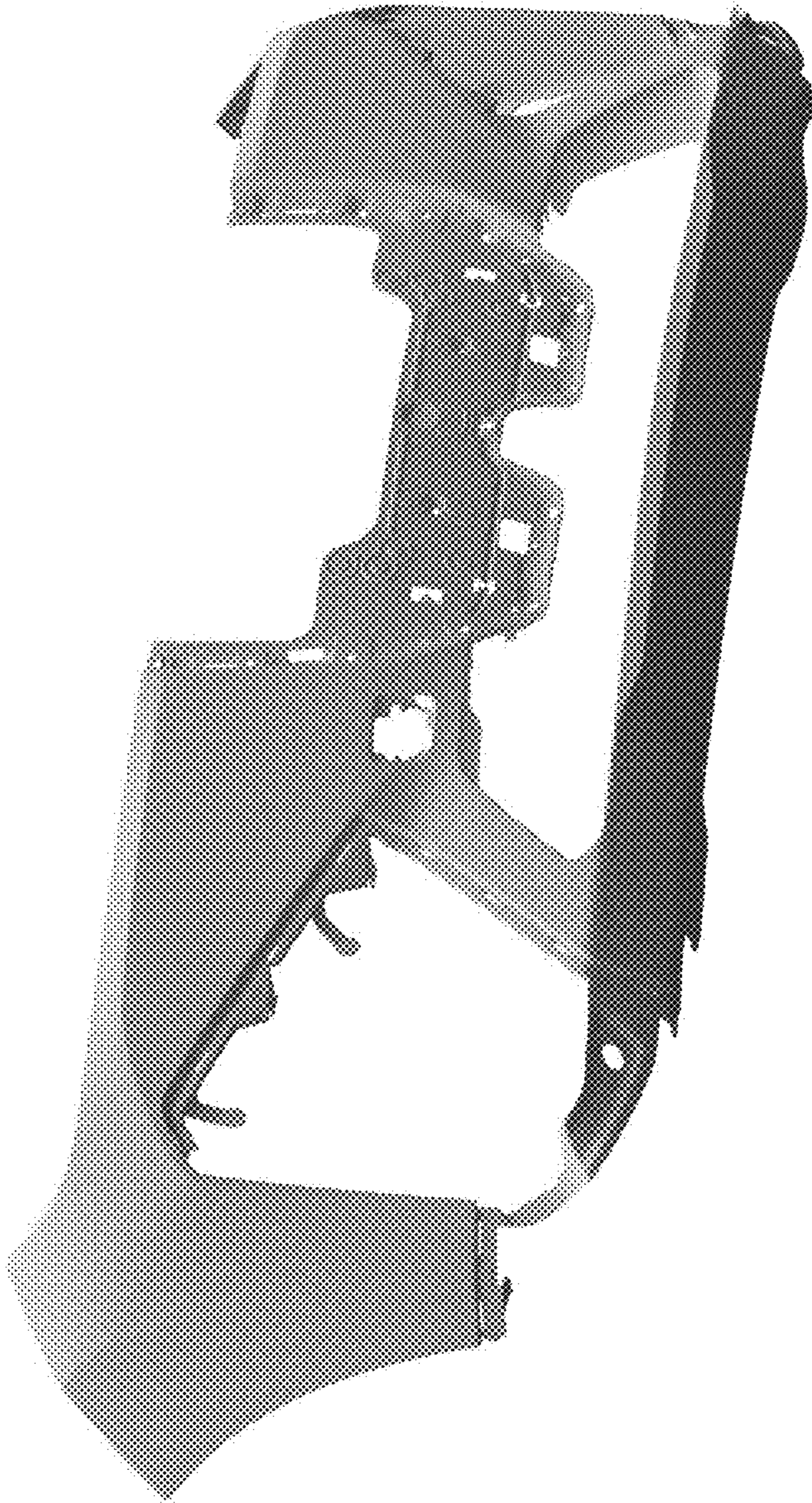


Fig. 3

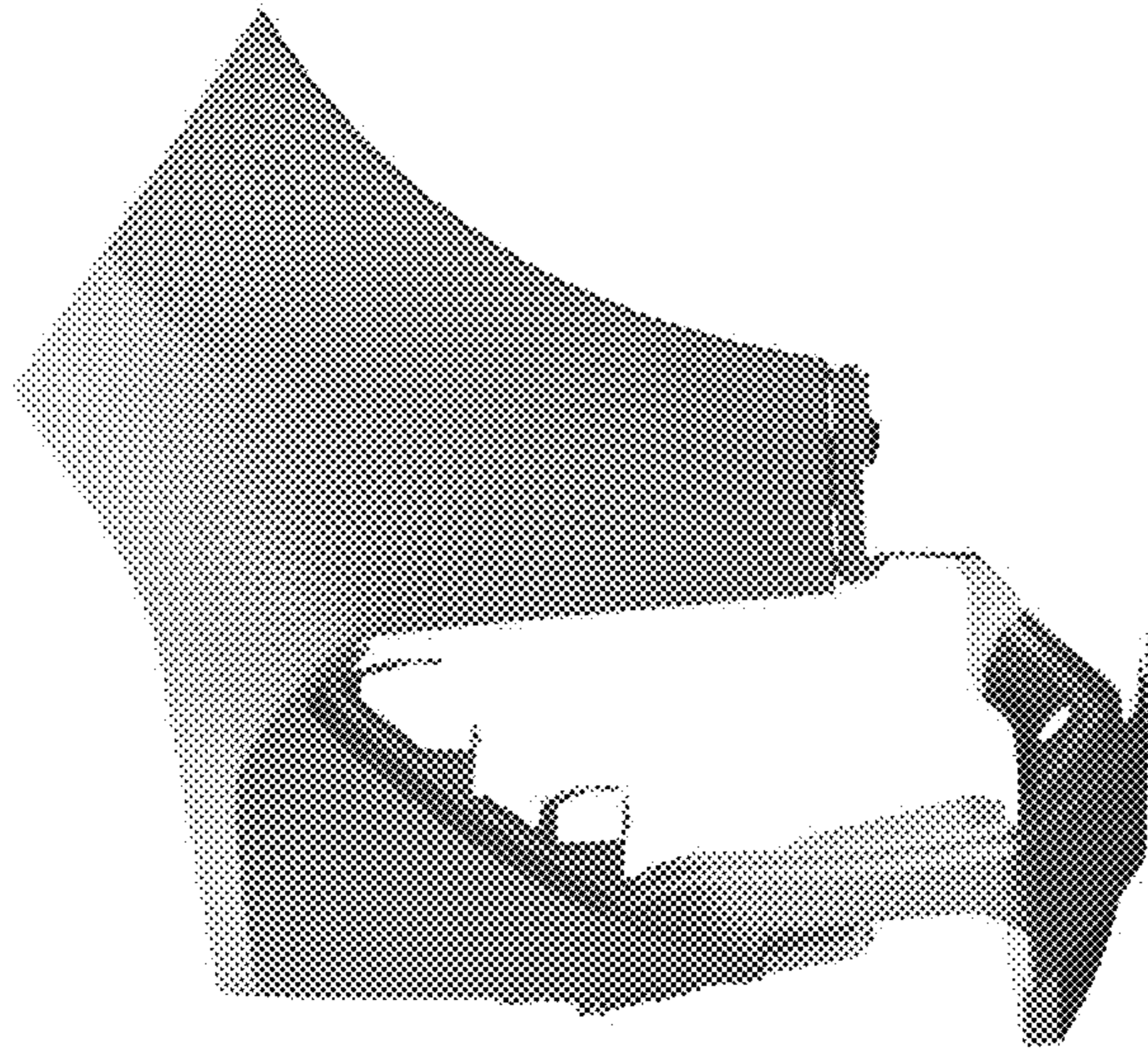


Fig. 4

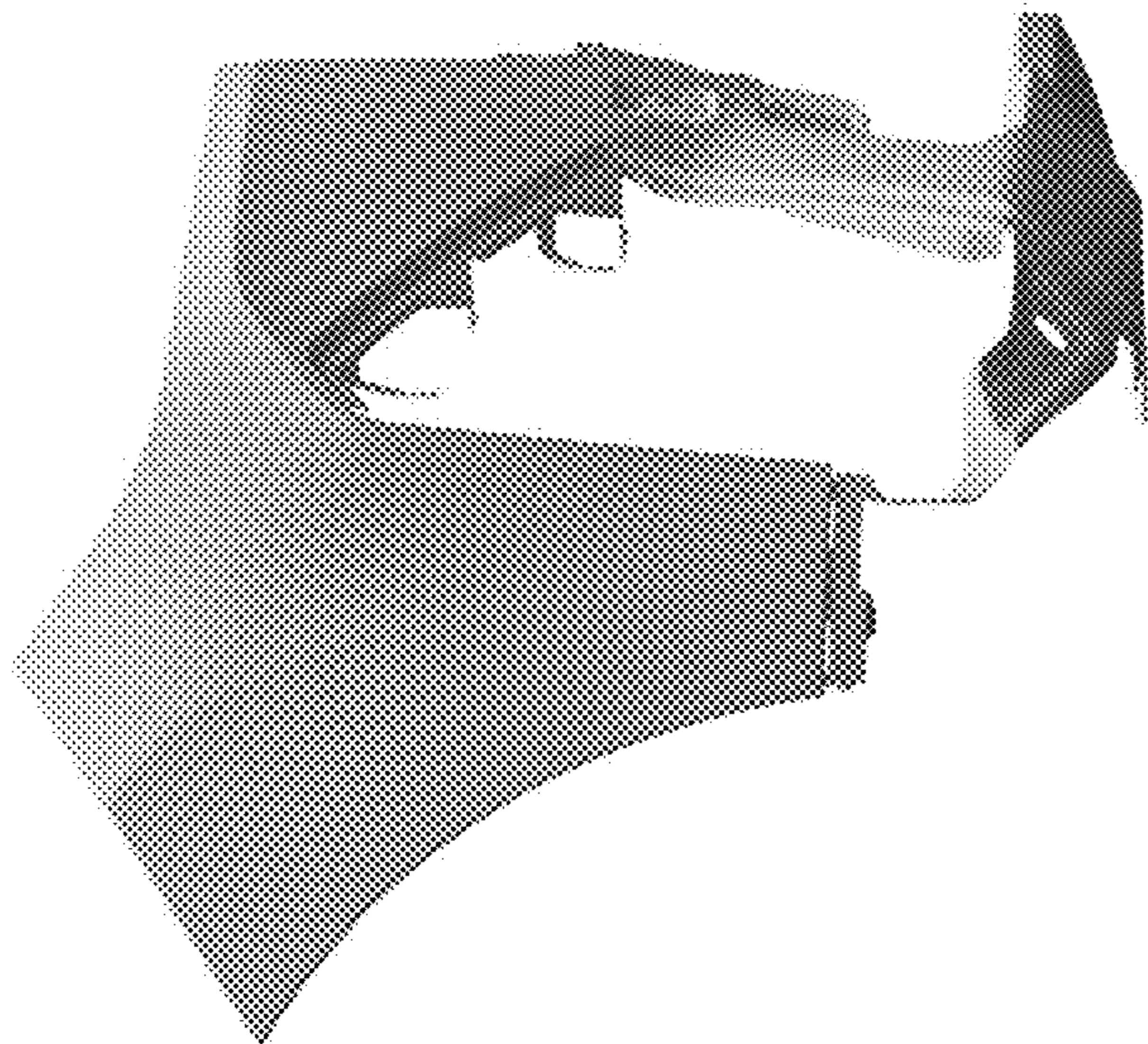


Fig. 5

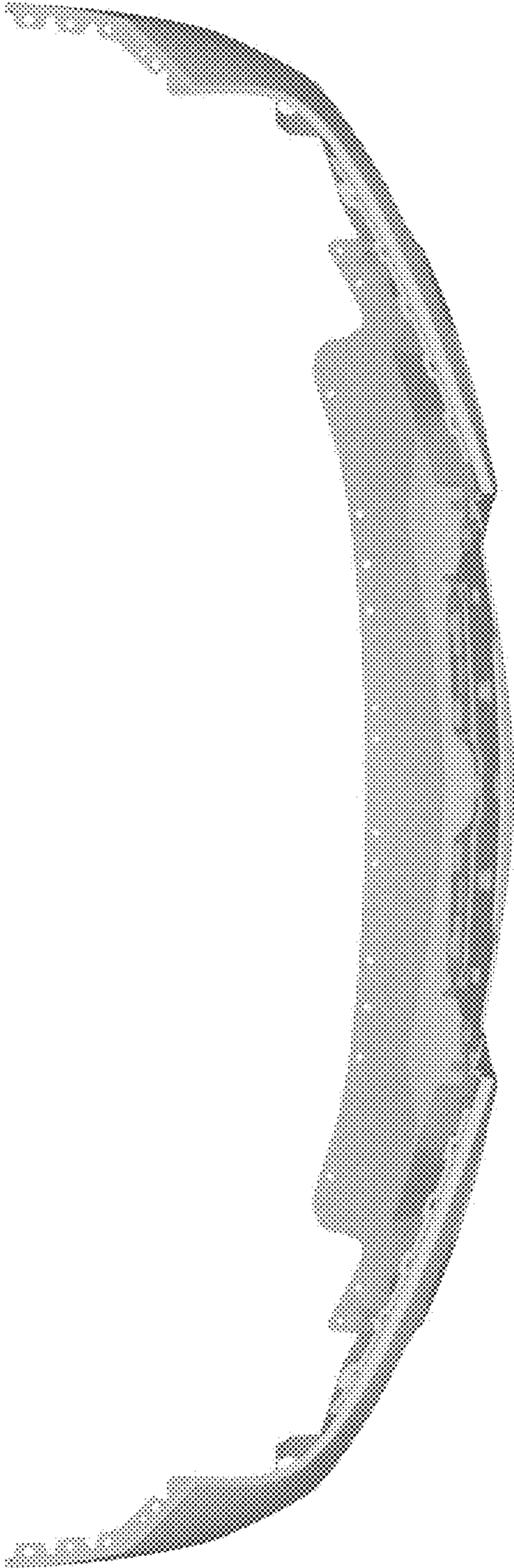


Fig. 6

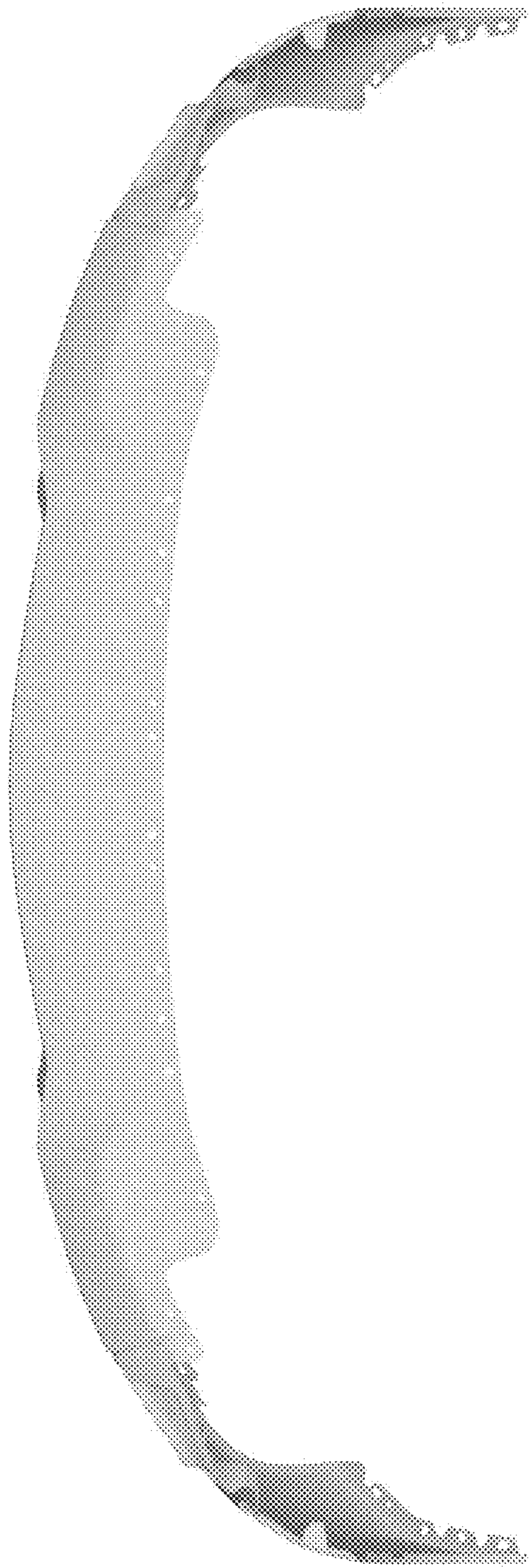


Fig. 7

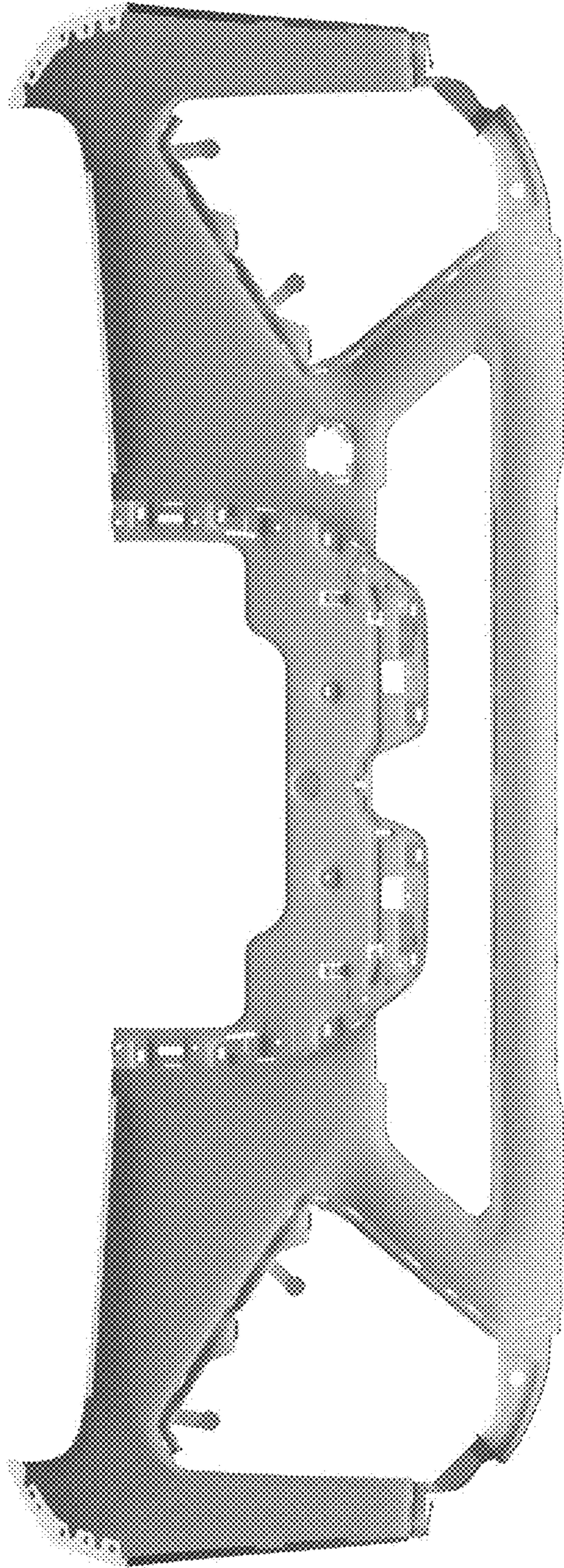


Fig. 8