



US00D958018S

(12) **United States Design Patent** (10) **Patent No.:** **US D958,018 S**
Murabayashi et al. (45) **Date of Patent:** **** Jul. 19, 2022**

(54) **FRONT BUMPER FOR AN AUTOMOBILE**

(71) Applicant: **Nissan Motor Co., Ltd.**, Kanagawa (JP)

(72) Inventors: **Kazunori Murabayashi**, Tokyo (JP); **Wookha Ryoo**, Kanagawa (JP)

(73) Assignee: **Nissan Motor Co., Ltd.**, Yokohama (JP)

(**) Term: **15 Years**

(21) Appl. No.: **29/747,731**

(22) Filed: **Aug. 25, 2020**

(30) **Foreign Application Priority Data**

Feb. 26, 2020 (JP) 2020-003643

(51) **LOC (13) Cl.** **12-16**

(52) **U.S. Cl.**
USPC **D12/169**

(58) **Field of Classification Search**
USPC D12/169, 163, 196, 86, 90-92;
296/180.1, 180.2; 293/102, 113, 115,
293/117, 120
CPC B60R 2019/25; B62D 25/084
See application file for complete search history.

(56) **References Cited**

U.S. PATENT DOCUMENTS

- D801,885 S * 11/2017 Melikian D12/169
- D807,801 S * 1/2018 Piscitelli B65D 85/1045
- D12/169
- D813,115 S * 3/2018 Holstein D12/169
- D815,572 S * 4/2018 Perkins D12/169
- D818,402 S * 5/2018 Kawakami D12/169
- D821,940 S * 7/2018 Platto D12/169
- D823,742 S * 7/2018 Simm D12/169
- D823,743 S * 7/2018 Al Attar D12/169

- D823,744 S * 7/2018 Al Attar D12/169
- D825,415 S * 8/2018 De Bono D12/169
- D845,849 S * 4/2019 Sarremejean D12/169
- D856,210 S * 8/2019 De Bono D12/169
- D856,223 S * 8/2019 Thogersen D12/169
- D856,224 S * 8/2019 Nissl D12/169
- D856,867 S * 8/2019 Elstner D12/169

(Continued)

FOREIGN PATENT DOCUMENTS

- JP D1499953 S 6/2014
- JP D1549973 S 5/2016

(Continued)

Primary Examiner — Melody N Brown

(74) *Attorney, Agent, or Firm* — Global IP Counselors, LLP

(57) **CLAIM**

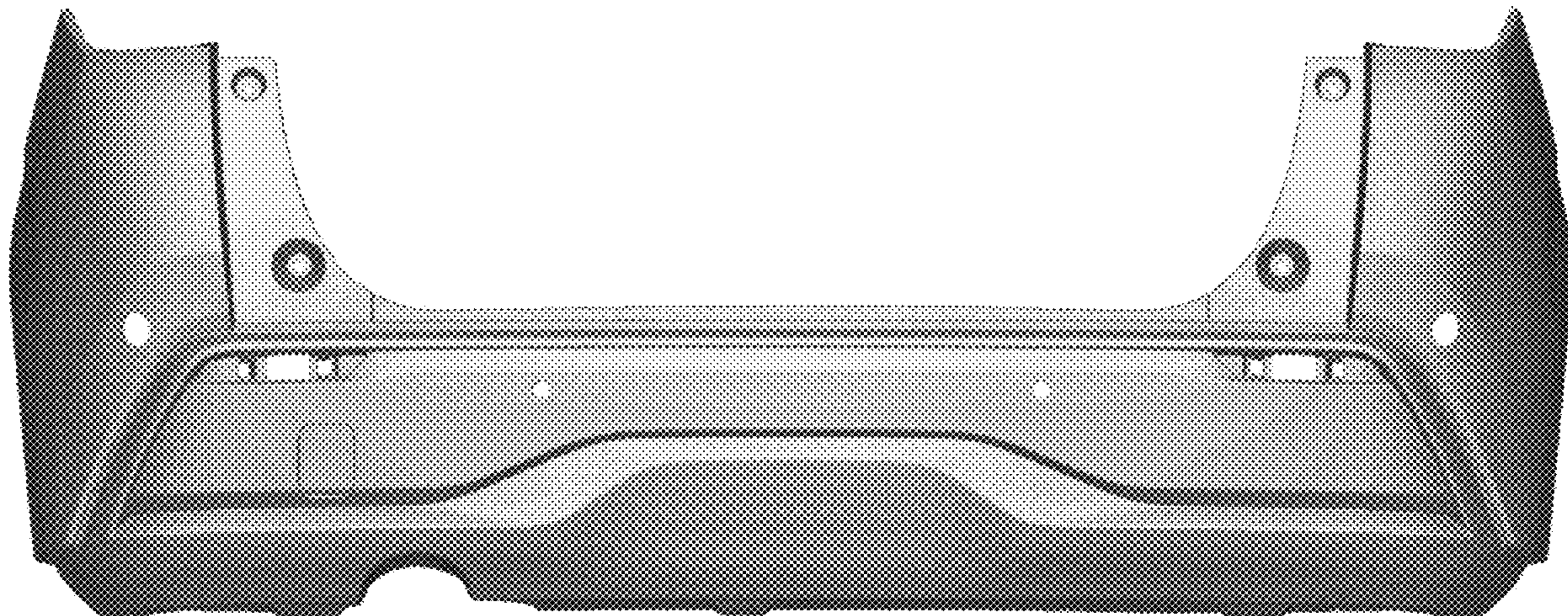
The ornamental design for a front bumper for an automobile, as shown and described.

DESCRIPTION

FIG. 1 is a front elevational view of a front bumper for an automobile in accordance with my new design;
FIG. 2 is a top plan view thereof;
FIG. 3 is a bottom plan view thereof;
FIG. 4 is a left side elevational view thereof;
FIG. 5 is a right side elevational view thereof;
FIG. 6 is a top, front and left side perspective view of a front bumper for an automobile showing our new design; and,
FIG. 7 is a bottom, front and right side perspective view thereof.

The rear view of the front bumper for an automobile forms no part of the claimed design. The inside surfaces of the front bumper for an automobile, shown in broken lines in FIGS. 2 and 7, form no part of the claimed design since the inside surfaces are hidden when the front bumper for an automobile is mounted to the automobile.

1 Claim, 7 Drawing Sheets



(56)

References Cited

U.S. PATENT DOCUMENTS

D856,869	S	*	8/2019	Schneider	D12/169
D856,870	S	*	8/2019	Nakajima	D12/169
D858,376	S	*	9/2019	Scheinutte	D12/169
D861,550	S	*	10/2019	Li	D12/169
D873,187	S	*	1/2020	Beaven	D12/169
D882,468	S	*	4/2020	Sperling	D12/169
D887,916	S	*	6/2020	Toriyama	D12/169
D887,917	S	*	6/2020	Kusunoki	D12/169
D911,230	S	*	2/2021	Wietzychowski	D12/169
D911,889	S	*	3/2021	Sarreméjean	D12/169
D925,413	S	*	7/2021	Wakabayashi	D12/169
D931,165	S	*	9/2021	Montoya Bueloni	D12/169
D935,955	S	*	11/2021	Hayashi	D12/169
D938,322	S	*	12/2021	Hirai	D12/169

FOREIGN PATENT DOCUMENTS

JP	D1608203	S	7/2018
JP	D1609863	S	7/2018
JP	D1583459	S	8/2018
JP	D1597093	S	2/2019
JP	D1665124	S	8/2020
JP	D1662942	S	10/2020
JP	D1669590	S	10/2020
JP	D1645655	S	11/2020
JP	D1645669	S	11/2020
JP	D1659149	S	5/2021
JP	D1667354	S	8/2021
JP	D1671553	S	11/2021
JP	D1675931	S	12/2021

* cited by examiner

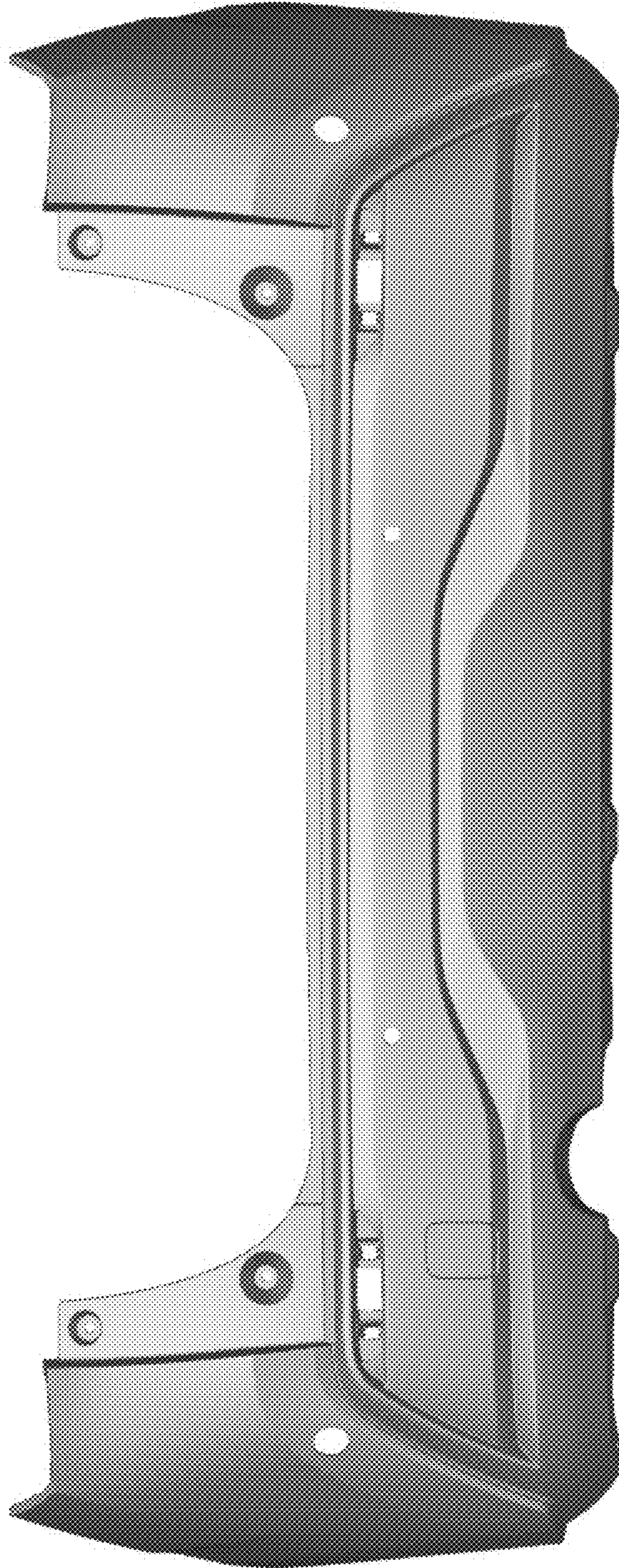


FIG. 1

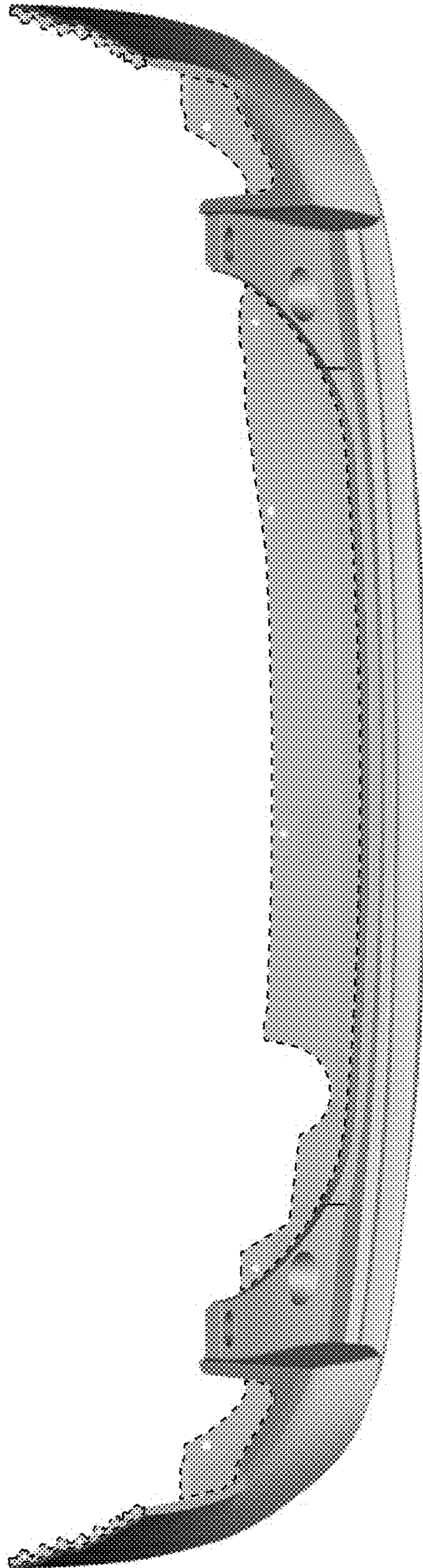


FIG. 2

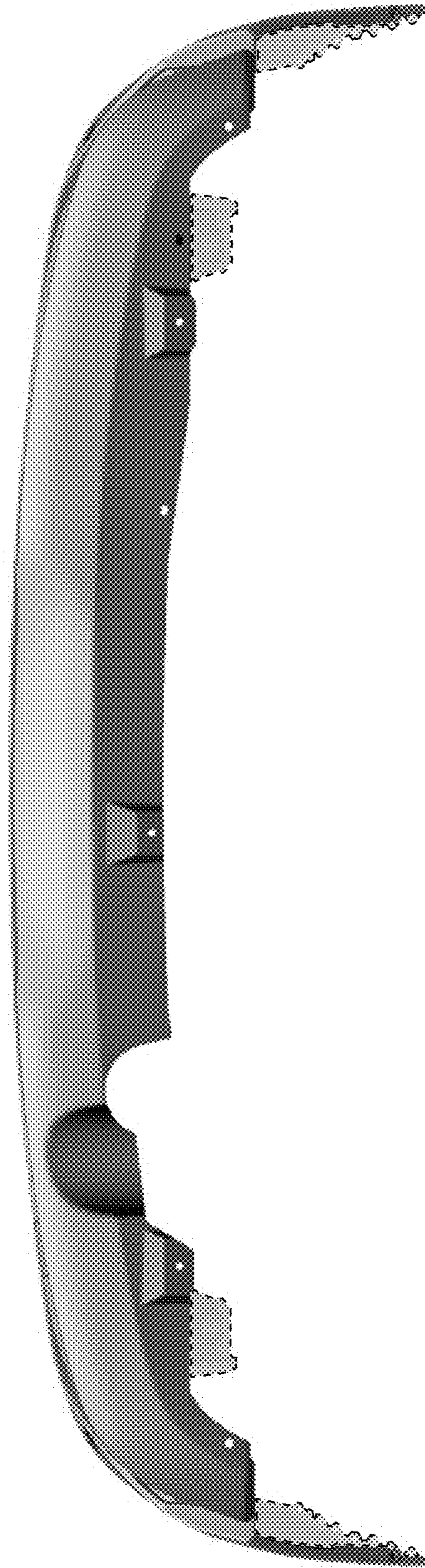


FIG. 3

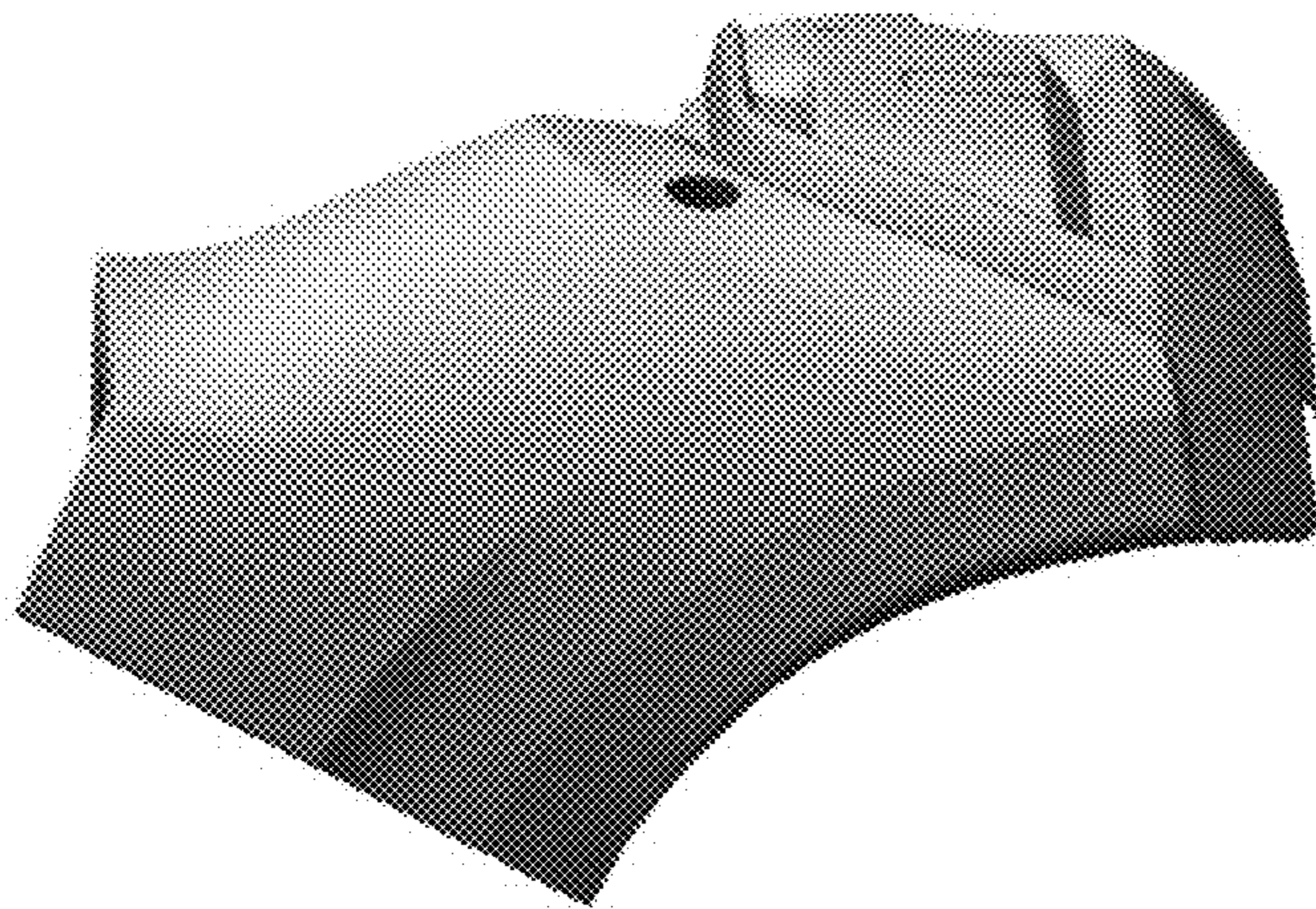


FIG. 4

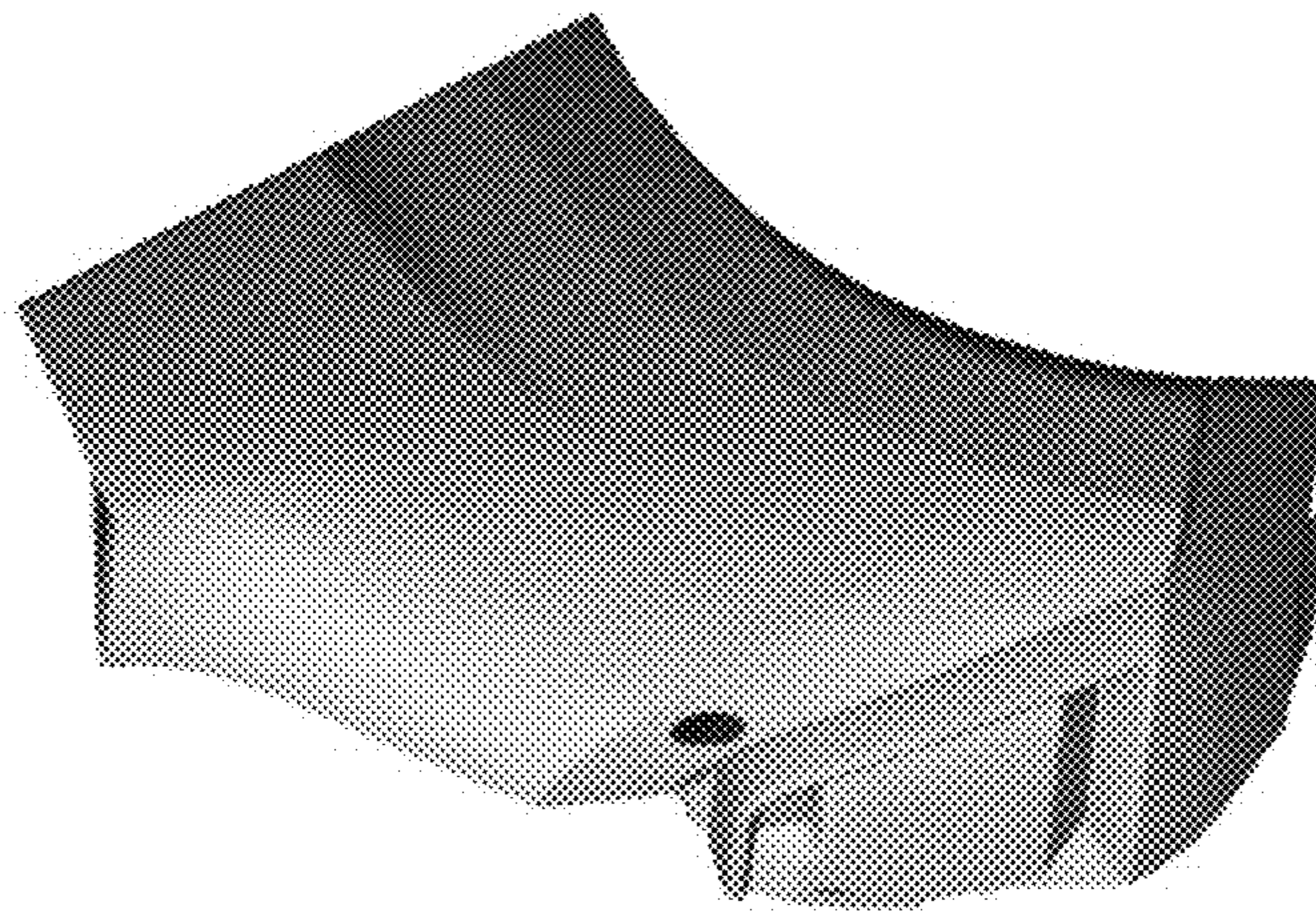


FIG. 5



FIG. 6



FIG. 7