



US00D958016S

(12) **United States Design Patent** (10) **Patent No.:** **US D958,016 S**
Ryoo et al. (45) **Date of Patent:** **** Jul. 19, 2022**

(54) **FRONT BUMPER FOR AN AUTOMOBILE**

(71) Applicant: **Nissan Motor Co., Ltd.**, Kanagawa (JP)

(72) Inventors: **Wookha Ryoo**, Kanagawa (JP);
Kazunori Murabayashi, Tokyo (JP)

(73) Assignee: **Nissan Motor Co., Ltd.**, Yokohama (JP)

(**) Term: **15 Years**

(21) Appl. No.: **29/747,722**

(22) Filed: **Aug. 25, 2020**

(30) **Foreign Application Priority Data**

Feb. 26, 2020 (JP) 2020-003636

(51) **LOC (13) Cl.** **12-16**

(52) **U.S. Cl.**
USPC **D12/169**

(58) **Field of Classification Search**
USPC D12/169, 163, 196, 86, 90-92;
296/180.1, 180.2; 293/102, 113, 115,
293/117, 120
CPC B60R 2019/25; B62D 25/084
See application file for complete search history.

(56) **References Cited**

U.S. PATENT DOCUMENTS

D683,284 S * 5/2013 Yoshida D12/169
D698,707 S * 2/2014 Nakamura D12/169
D705,706 S * 5/2014 Kawasaki D12/169
D740,729 S * 10/2015 Yamamoto D12/169
D744,389 S * 12/2015 Kawasaki D12/169
D784,218 S * 4/2017 Yamamoto D12/169
D809,980 S * 2/2018 Tanaka D12/169
D814,991 S * 4/2018 Tanaka D12/169
D814,993 S * 4/2018 Minamiyama D12/169
D824,819 S * 8/2018 Sukegawa D12/169

D827,518 S * 9/2018 Komuro D12/169
D830,921 S * 10/2018 Zhang D12/169
D839,152 S * 1/2019 Horie D12/169
D843,900 S * 3/2019 Basmanov D12/169
D927,369 S * 8/2021 Wakabayashi D12/169
D932,386 S * 10/2021 Taubert D12/169
D932,394 S * 10/2021 Akcay D12/169

(Continued)

FOREIGN PATENT DOCUMENTS

JP D1451513 S 9/2012
JP D1489190 S 2/2014

(Continued)

Primary Examiner — Melody N Brown

(74) *Attorney, Agent, or Firm* — Global IP Counselors, LLP

(57) **CLAIM**

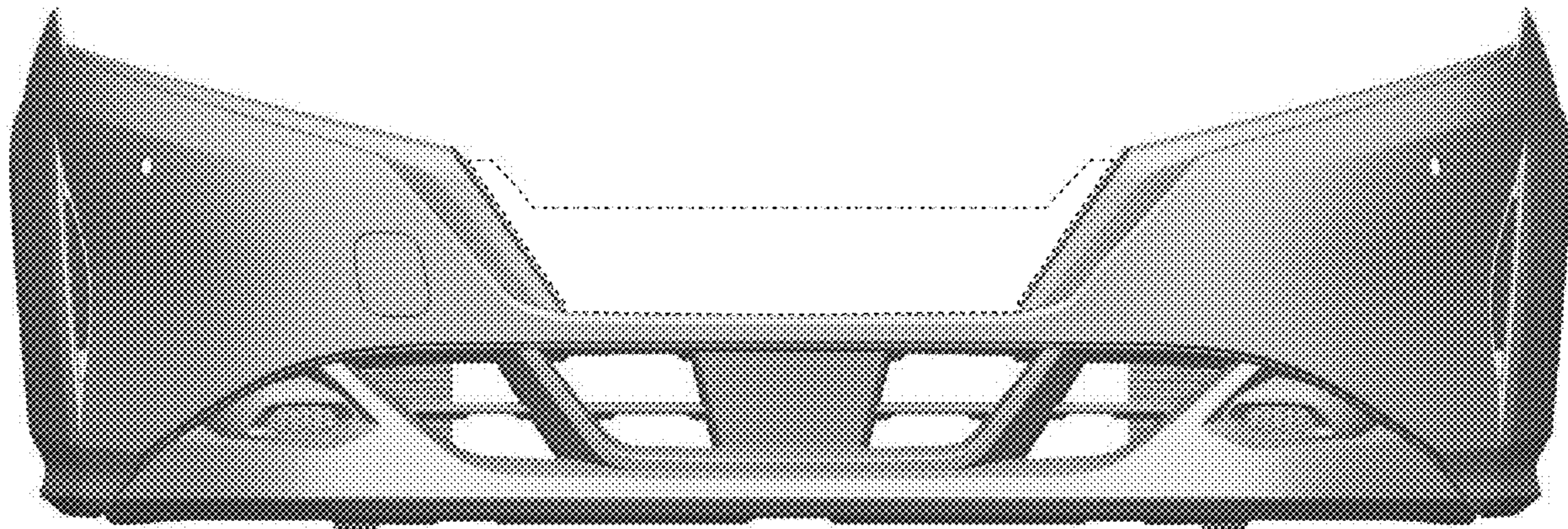
The ornamental design for a front bumper for an automobile, as shown and described.

DESCRIPTION

FIG. 1 is a top, front and right side perspective view of a front bumper for an automobile showing our new design; FIG. 2 is a bottom, front and left side perspective view thereof; FIG. 3 is a front elevational view thereof; FIG. 4 is a top plan view thereof; FIG. 5 is a bottom plan view thereof; FIG. 6 is a right side elevational view thereof; and, FIG. 7 is a left side elevational view thereof.

The rear view of the front bumper for an automobile forms no part of the claimed design. The inside surfaces and mounting surfaces of the front bumper for an automobile, shown in broken lines in FIGS. 1-7, form no part of the claimed design since these surfaces are hidden when the front bumper for an automobile is mounted to the automobile.

1 Claim, 7 Drawing Sheets



(56)

References Cited

U.S. PATENT DOCUMENTS

D932,396 S * 10/2021 Giumentaro D12/169
 D939,406 S * 12/2021 Bischoff D12/169
 D939,407 S * 12/2021 Bischoff D12/169
 D940,017 S * 1/2022 Utsunomiya D12/169

FOREIGN PATENT DOCUMENTS

JP D1503116 S 7/2014
 JP D1526237 S 6/2015
 JP D1526238 S 6/2015
 JP D1531252 S 8/2015
 JP D1518665 S 2/2016
 JP D1546148 S 3/2016
 JP D1549623 S 5/2016
 JP D1551021 S 6/2016
 JP D1554598 S 7/2016
 JP D1563490 S 11/2016
 JP D1568126 S 1/2017
 JP D1568807 S 2/2017
 JP D1569008 S 2/2017

JP D1572301 S 3/2017
 JP D1562919 S 4/2017
 JP D1575602 S 7/2017
 JP D1575605 S 7/2017
 JP D1575969 S 7/2017
 JP D1581231 S 7/2017
 JP D1581471 S 9/2017
 JP D1590410 S 11/2017
 JP D1566363 S 12/2017
 JP D1574627 S 12/2017
 JP D1608474 S 7/2018
 JP D1588915 S 10/2018
 JP D1597101 S 2/2019
 JP D1630807 S 5/2019
 JP D1636431 S 7/2019
 JP D1645076 S 11/2019
 JP D1630105 S 12/2019
 JP D1651419 S 1/2020
 JP D1637809 S 7/2020
 JP D1638432 S 7/2020
 JP D1665122 S 8/2020
 JP D1644251 S 1/2021
 JP D1663576 S 5/2021

* cited by examiner

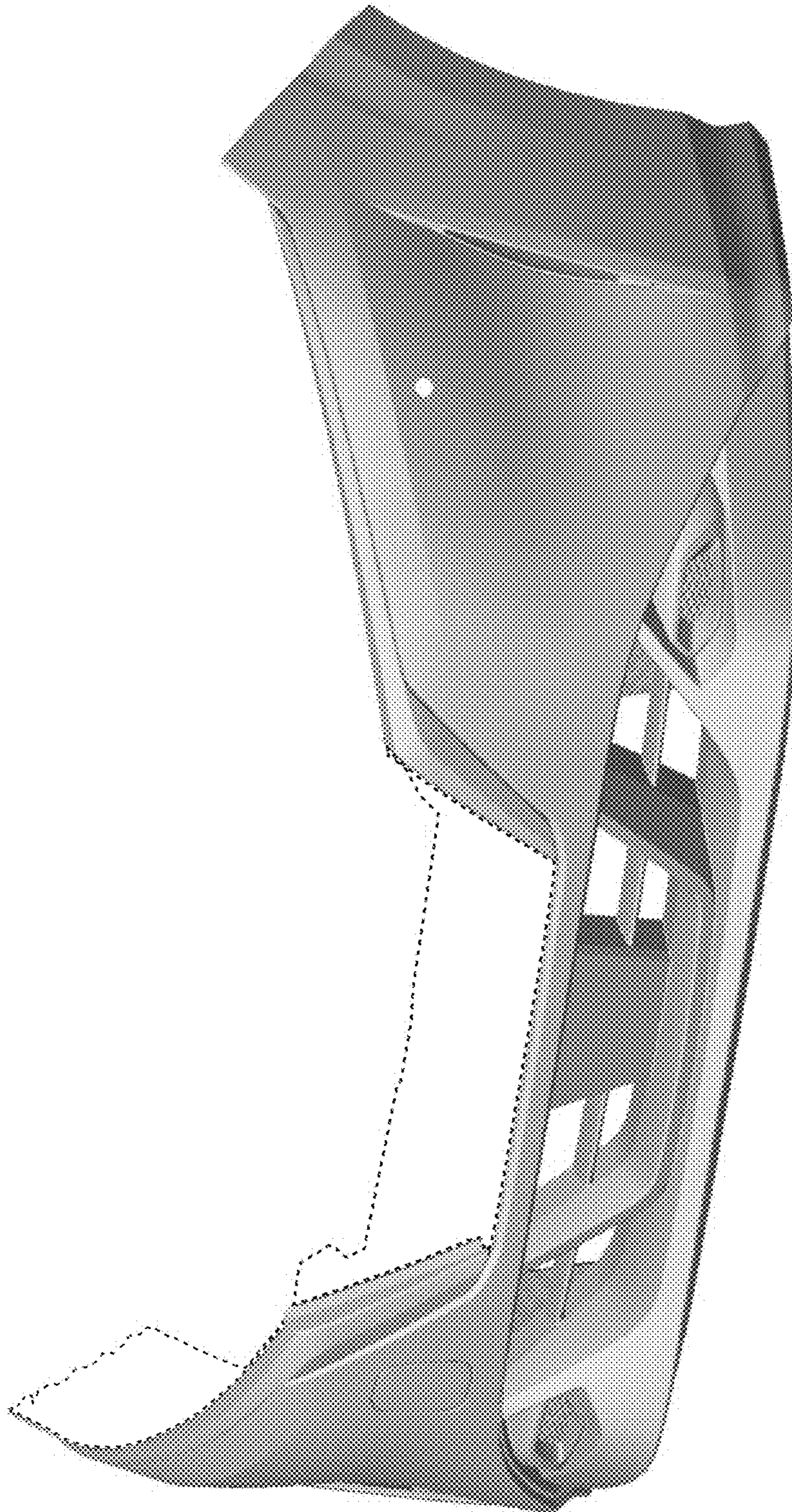


FIG. 1

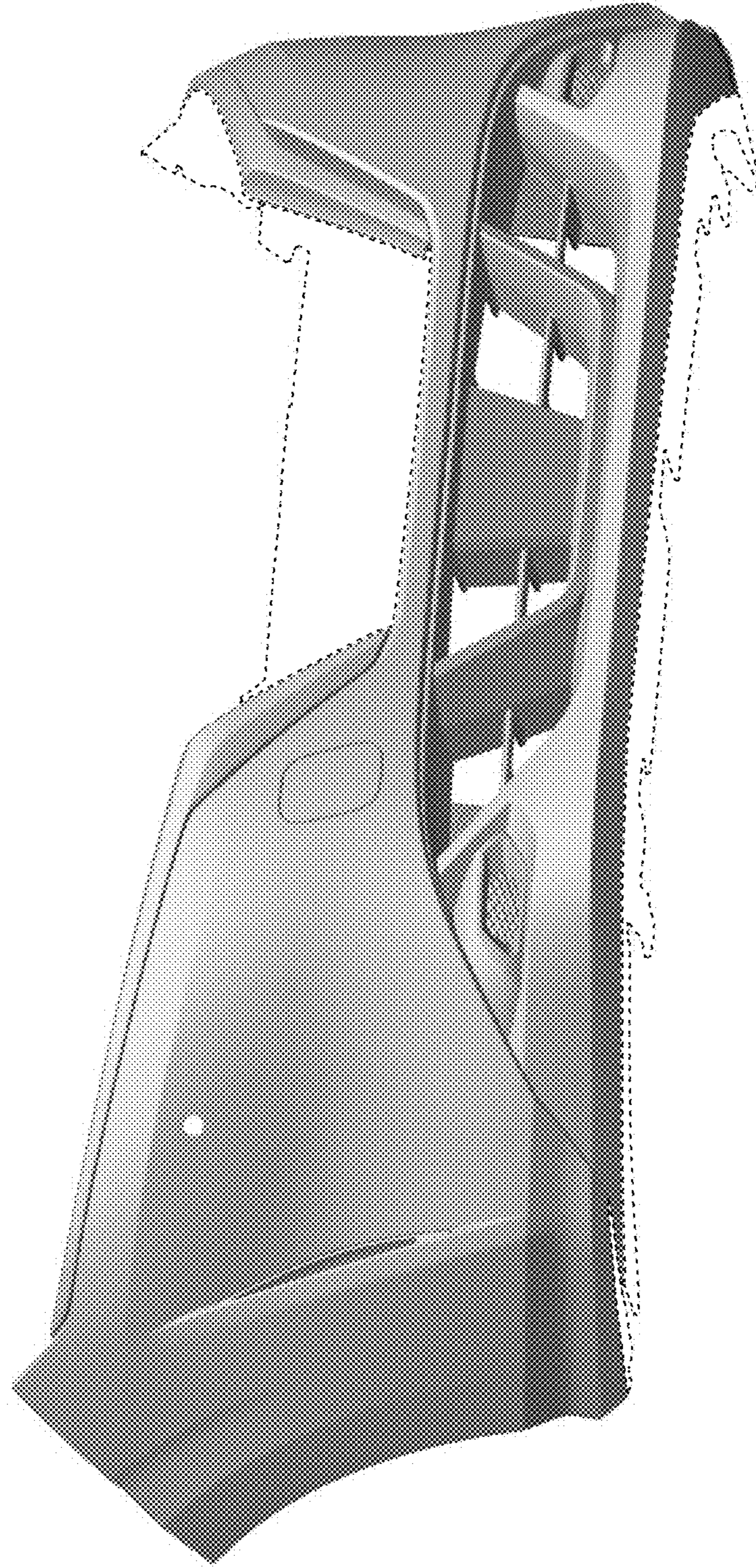


FIG. 2

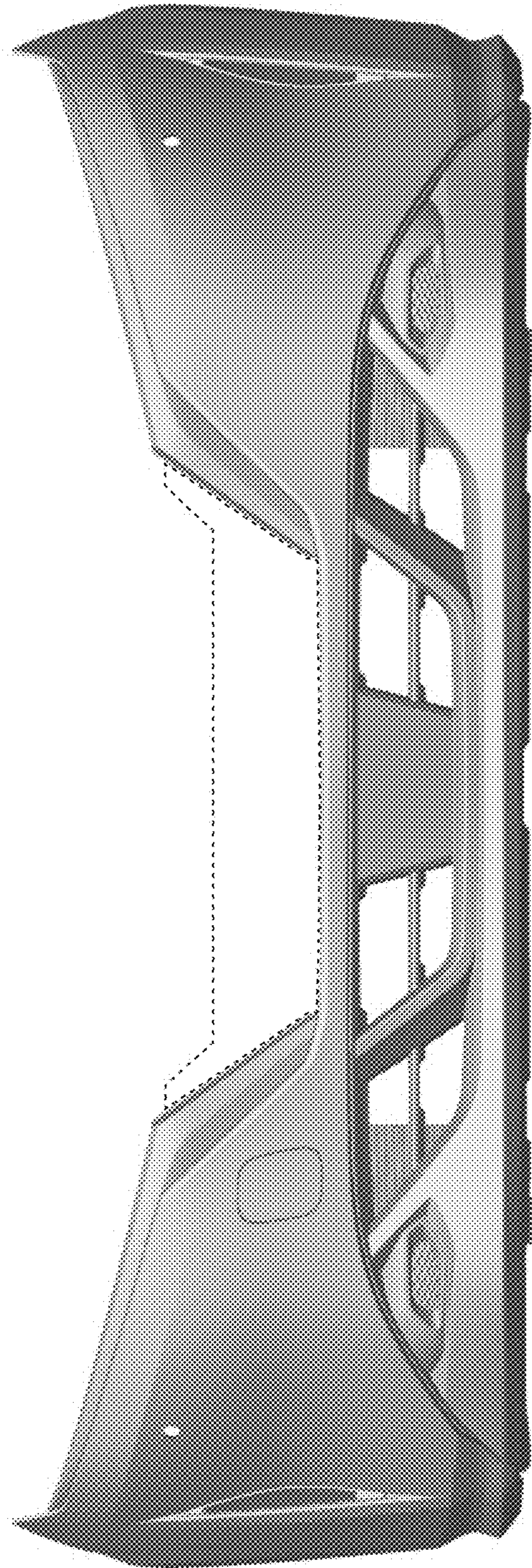


FIG. 3

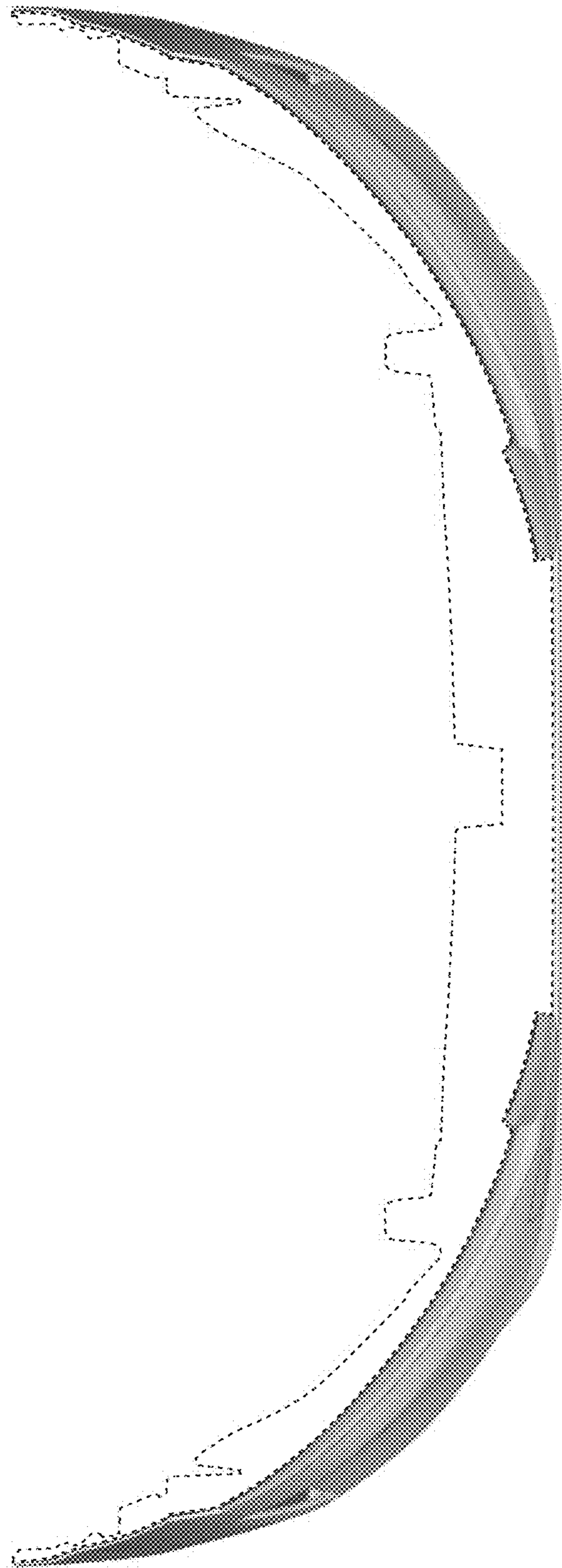


FIG. 4

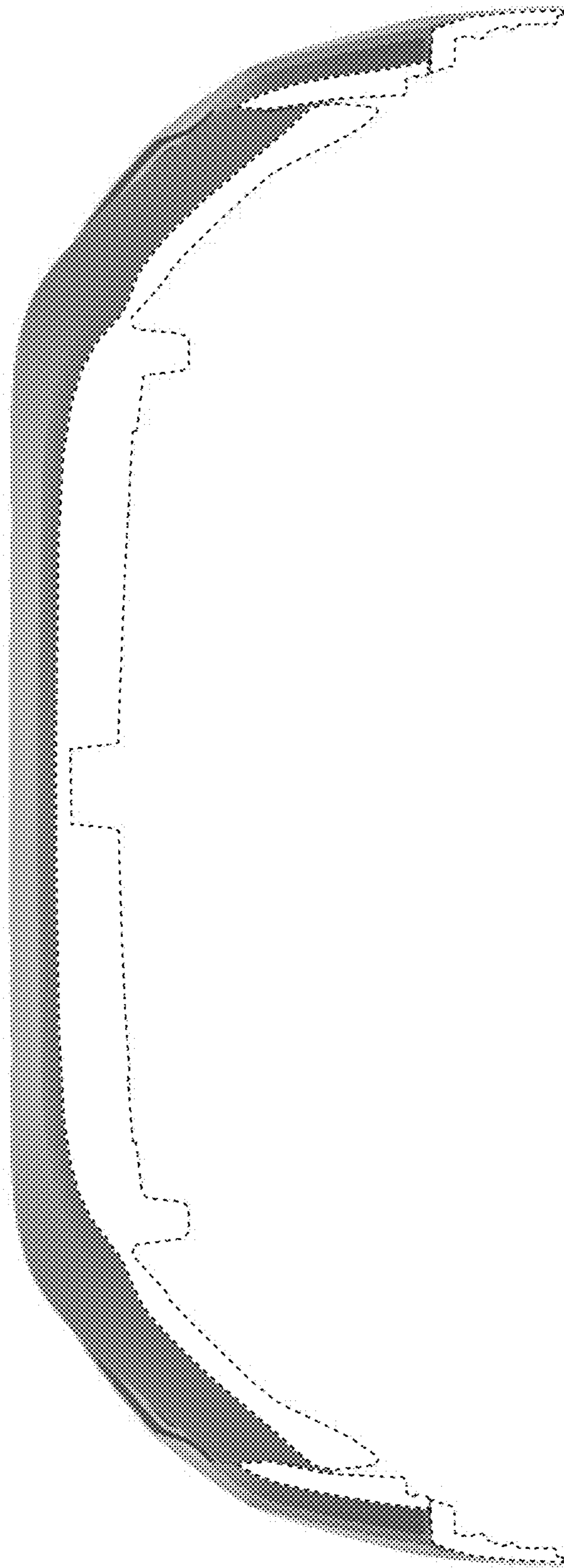


FIG. 5

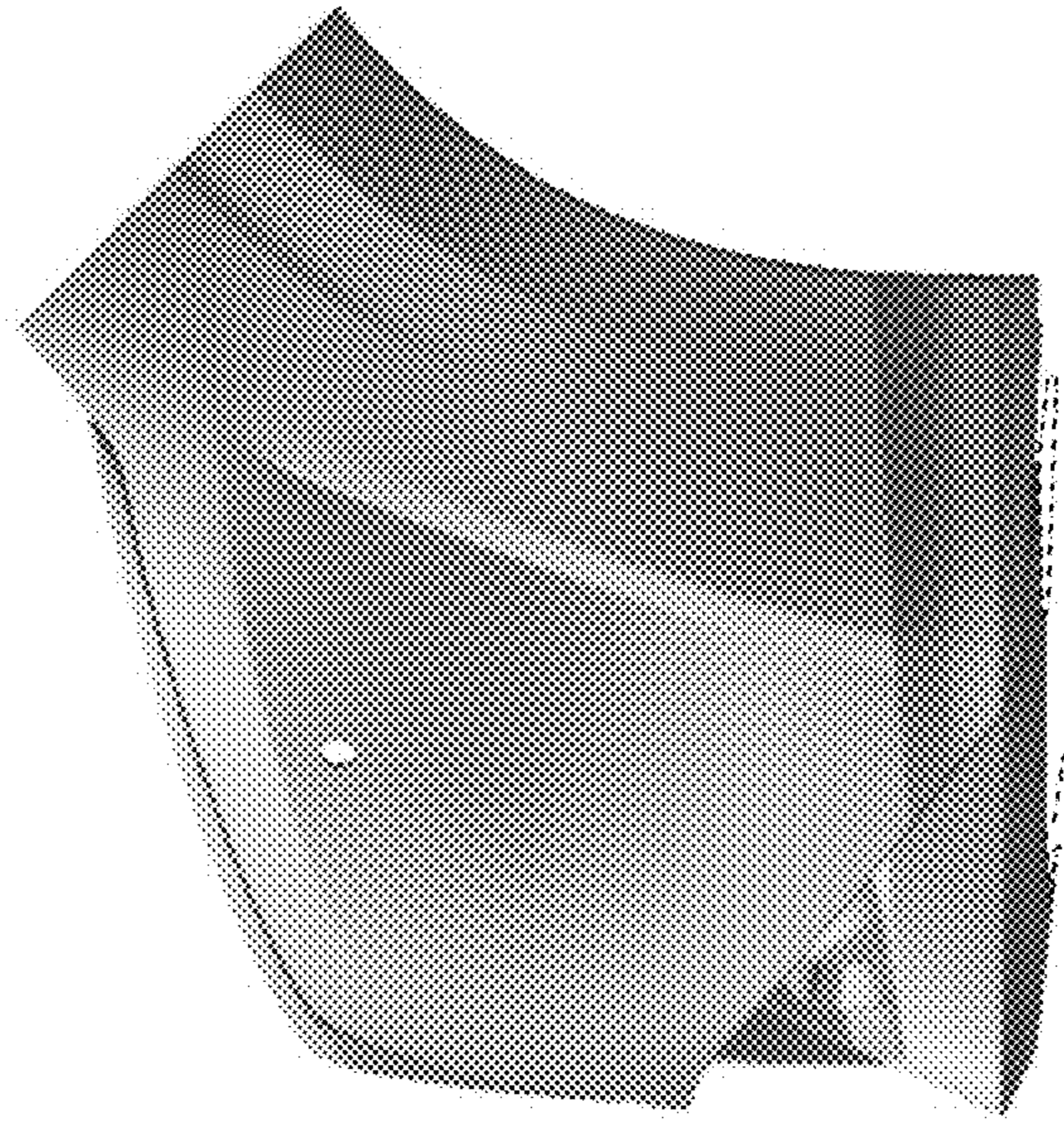


FIG. 6

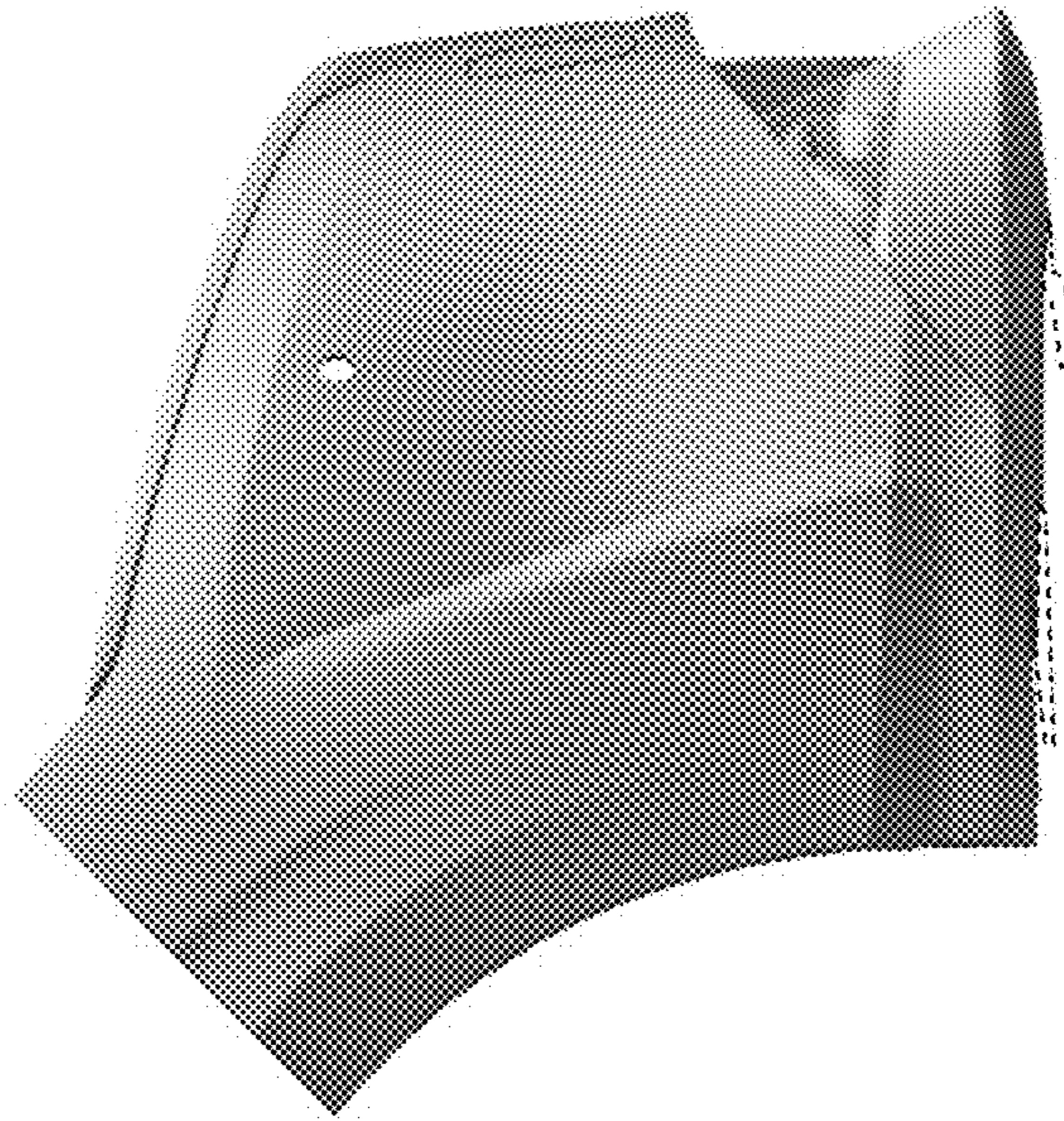


FIG. 7