



US00D958012S

(12) **United States Design Patent**  
**Zhang**

(10) **Patent No.:** **US D958,012 S**  
(45) **Date of Patent:** **\*\* Jul. 19, 2022**

- (54) **MOSQUITO NETTING FOR STROLLER**
- (71) Applicant: **Shanxi Hejing Qingji Trading Co., Ltd., Shanxi (CN)**
- (72) Inventor: **Yongfeng Zhang, Shanxi (CN)**
- (73) Assignee: **Shanxi Hejing Qingji Trading Co., Ltd., Shanxi (CN)**
- (\*\*) Term: **15 Years**
- (21) Appl. No.: **29/796,908**
- (22) Filed: **Jun. 28, 2021**
- (51) **LOC (13) Cl.** ..... **12-12**
- (52) **U.S. Cl.**  
USPC ..... **D12/133**
- (58) **Field of Classification Search**  
USPC ..... D12/128, 129, 130, 131, 132, 133;  
D21/419, 421, 534, 535, 848, 837  
CPC .... B62B 9/00; B62B 9/02; B62B 9/04; B62B 9/08; B62B 9/10; B62B 9/102; B62B 9/104; B62B 9/106; B62B 9/12; B62B 9/14; B62B 9/142; B62B 9/16; B62B 9/18; B62B 9/20; B62B 9/203; B62B 9/22; B62B 9/24; B62B 9/26; B62B 7/00; B62B 7/006; B62B 7/02; B62B 7/04; B62B 7/06; B62B 7/062; B62B 7/064; B62B 7/08; B62B 7/10; B62B 7/12  
See application file for complete search history.

(56) **References Cited**

**U.S. PATENT DOCUMENTS**

- 1,143,774 A \* 6/1915 Nicholls ..... B62B 9/14  
24/72.5
- 1,319,479 A \* 10/1919 Lloyd ..... B62B 9/14  
296/110
- 3,082,780 A \* 3/1963 Macy ..... E04H 15/38  
135/92

- 3,171,417 A \* 3/1965 Stokes ..... E04H 6/04  
135/132
- 3,811,454 A \* 5/1974 Huddle ..... E04H 15/646  
52/63
- D319,202 S 8/1991 Reinhart  
(Continued)

**FOREIGN PATENT DOCUMENTS**

- GB 2349566 A \* 11/2000 ..... B62B 9/142

**OTHER PUBLICATIONS**

Duomi Stroller Mosquito Netting, Published Sep. 15, 2020 [online], [retrieved on Feb. 19, 2022]. Retrieved from the Internet: <https://www.amazon.com/Mosquito-Encrypted-HJQJ-Stretchable-Breathable/dp/B08GX4P9ZC> (Year: 2020).\*

*Primary Examiner* — Cary M Robinson  
*Assistant Examiner* — Adam C Mager  
(74) *Attorney, Agent, or Firm* — ScienBiziP, P.C.

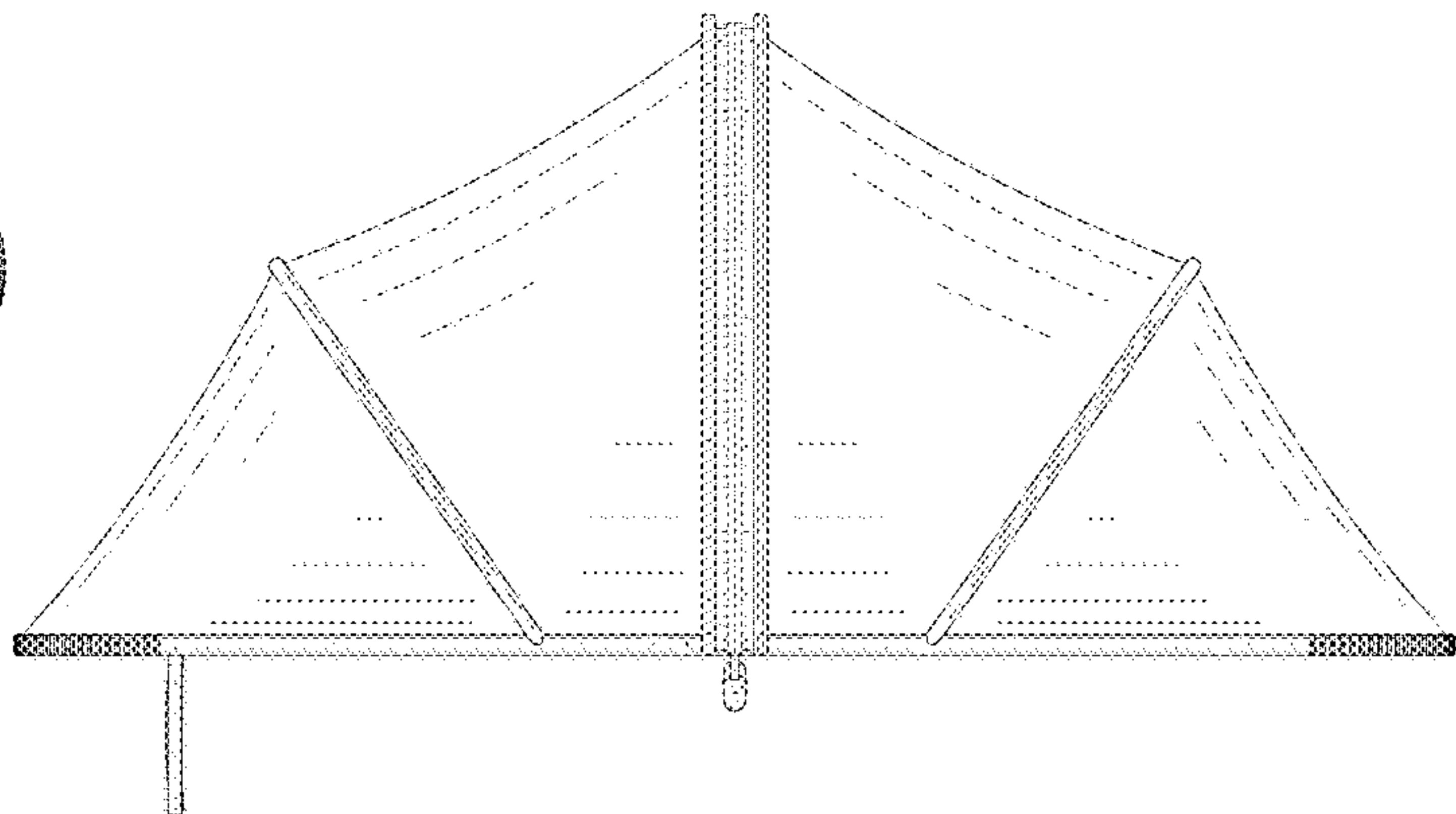
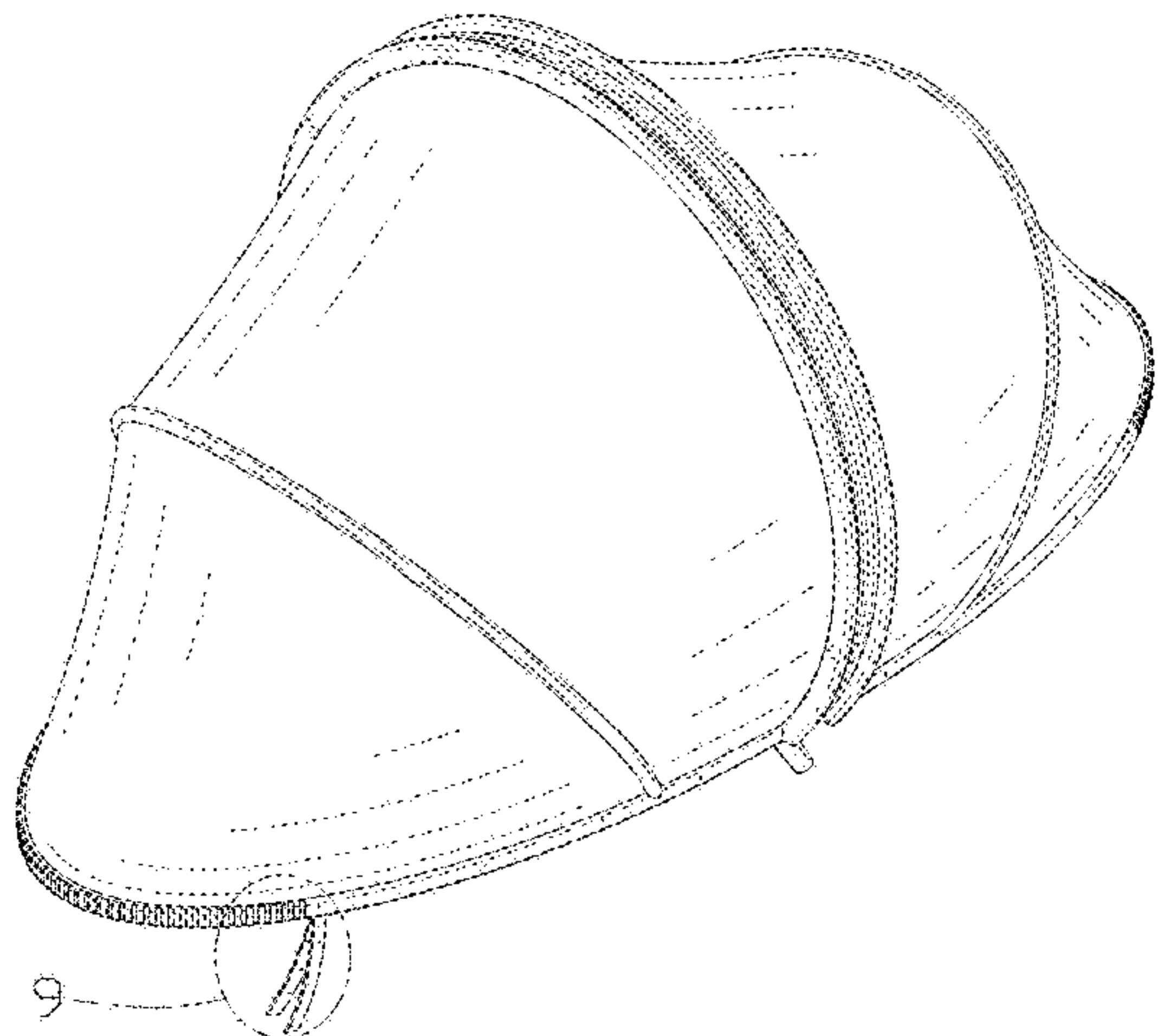
(57) **CLAIM**

The ornamental design for a mosquito netting for stroller, as shown and described.

**DESCRIPTION**

FIG. 1 is a front, left, and top perspective view of a mosquito netting for stroller, showing my design.  
FIG. 2 is a rear, right, and bottom perspective view thereof.  
FIG. 3 is a front elevation view thereof.  
FIG. 4 is a rear elevation view thereof.  
FIG. 5 is a left side elevation view thereof.  
FIG. 6 is a right side elevation view thereof.  
FIG. 7 is a top plan view thereof.  
FIG. 8 is a bottom plan view thereof.  
FIG. 9 is a partial enlarged view of an area labeled 9 in FIG. 1 comprising a cord; and,  
FIG. 10 is a partial enlarged view of an area labeled 10 in FIG. 2 comprising a cord lock.

(Continued)



The broken lines shown in the drawings are included for the purpose of illustrating portions of the mosquito netting for stroller that form no part of the claimed design.

**1 Claim, 10 Drawing Sheets**

(56) **References Cited**

U.S. PATENT DOCUMENTS

5,842,495 A \* 12/1998 Egnew ..... E04H 15/38  
135/147  
6,349,732 B1 \* 2/2002 Cooper ..... E04H 6/04  
135/148  
D535,349 S \* 1/2007 Shinner ..... D21/834  
D575,535 S \* 8/2008 Bizzell ..... D6/333  
D646,208 S \* 10/2011 Ohnishi ..... D12/133  
D828,788 S 9/2018 Zacard  
2006/0102222 A1 \* 5/2006 Zebley ..... E04H 6/04  
135/133  
2008/0283108 A1 \* 11/2008 Torres ..... E04H 15/38  
135/149

\* cited by examiner

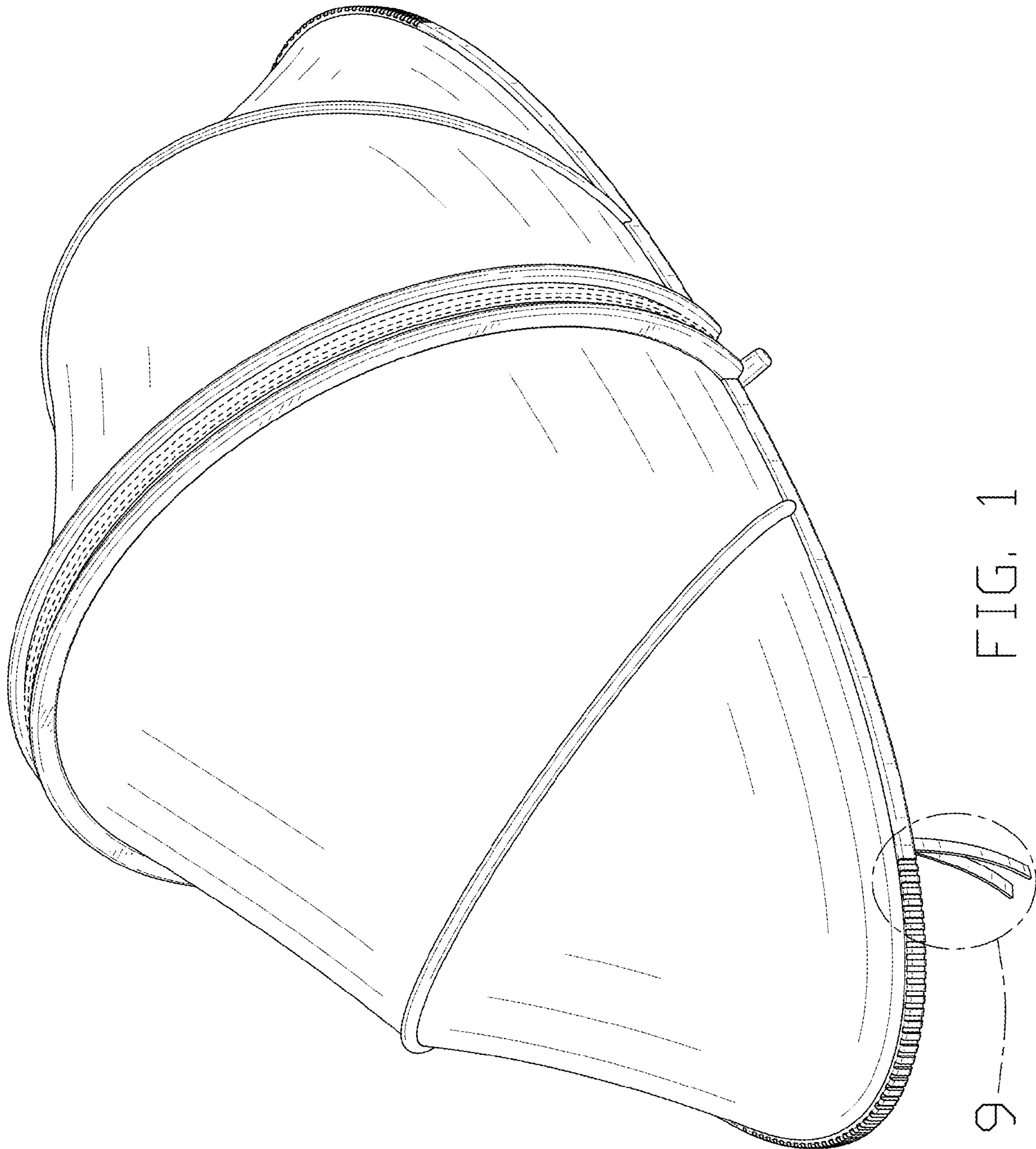


FIG. 1



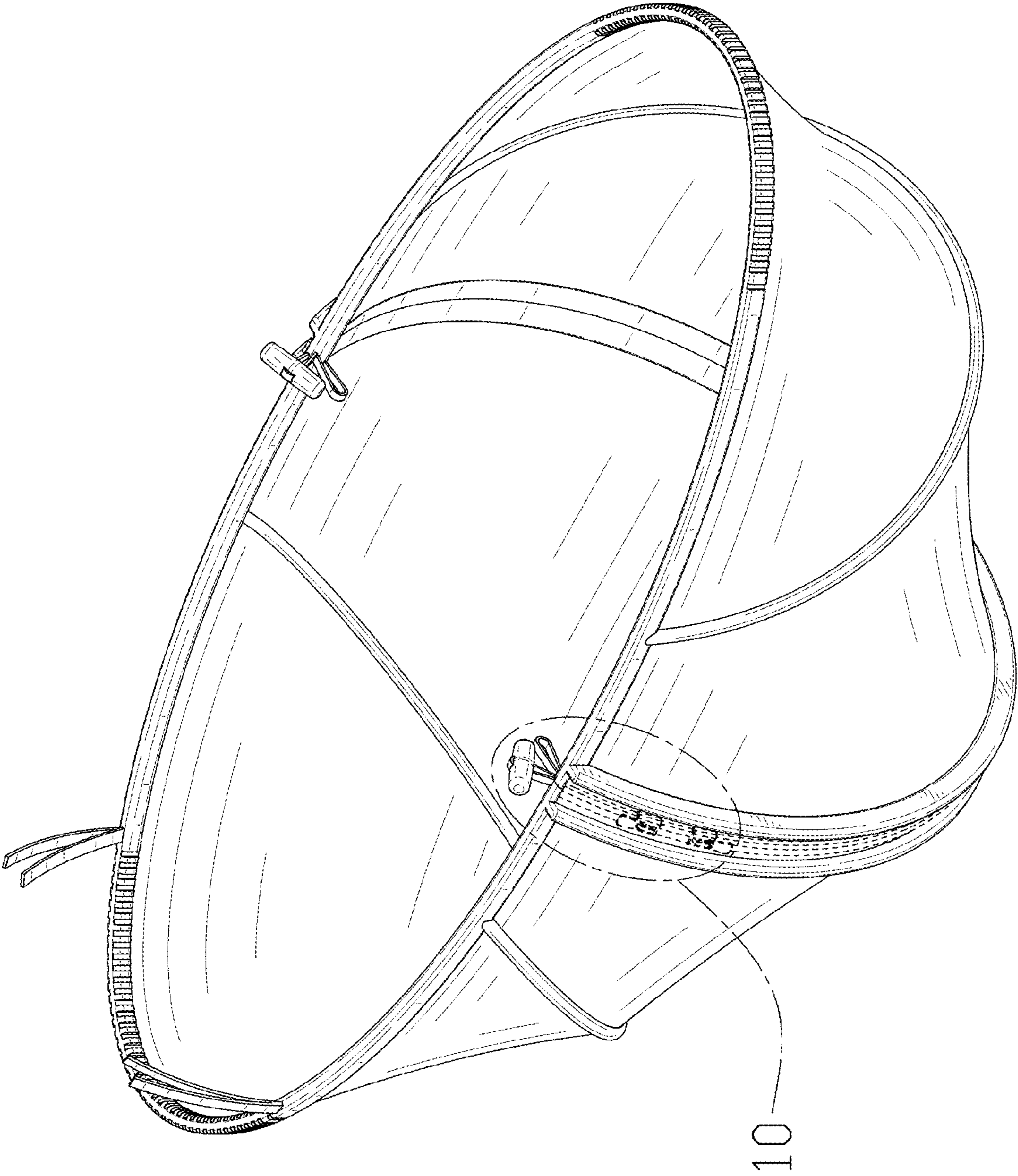


FIG. 2

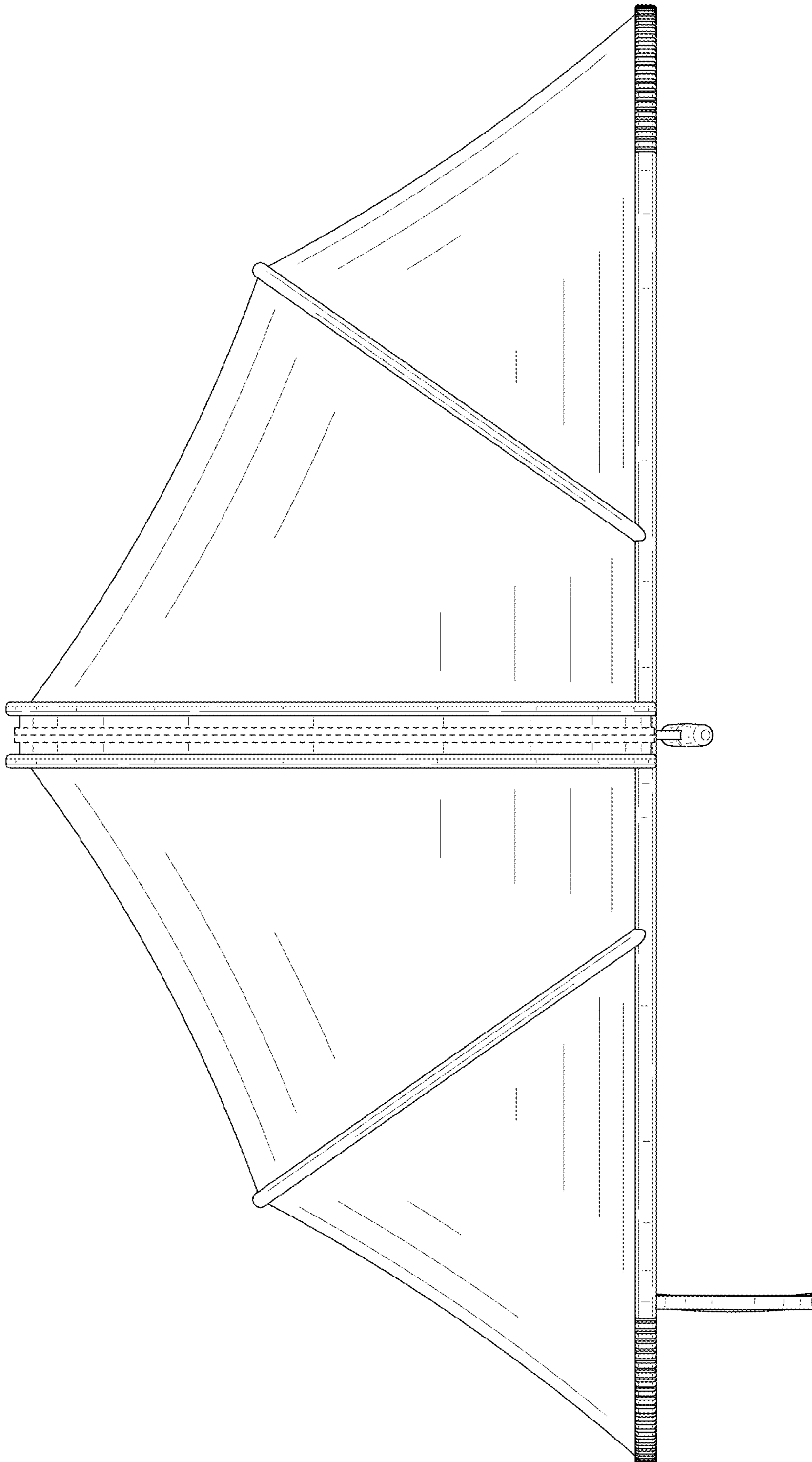


FIG. 3

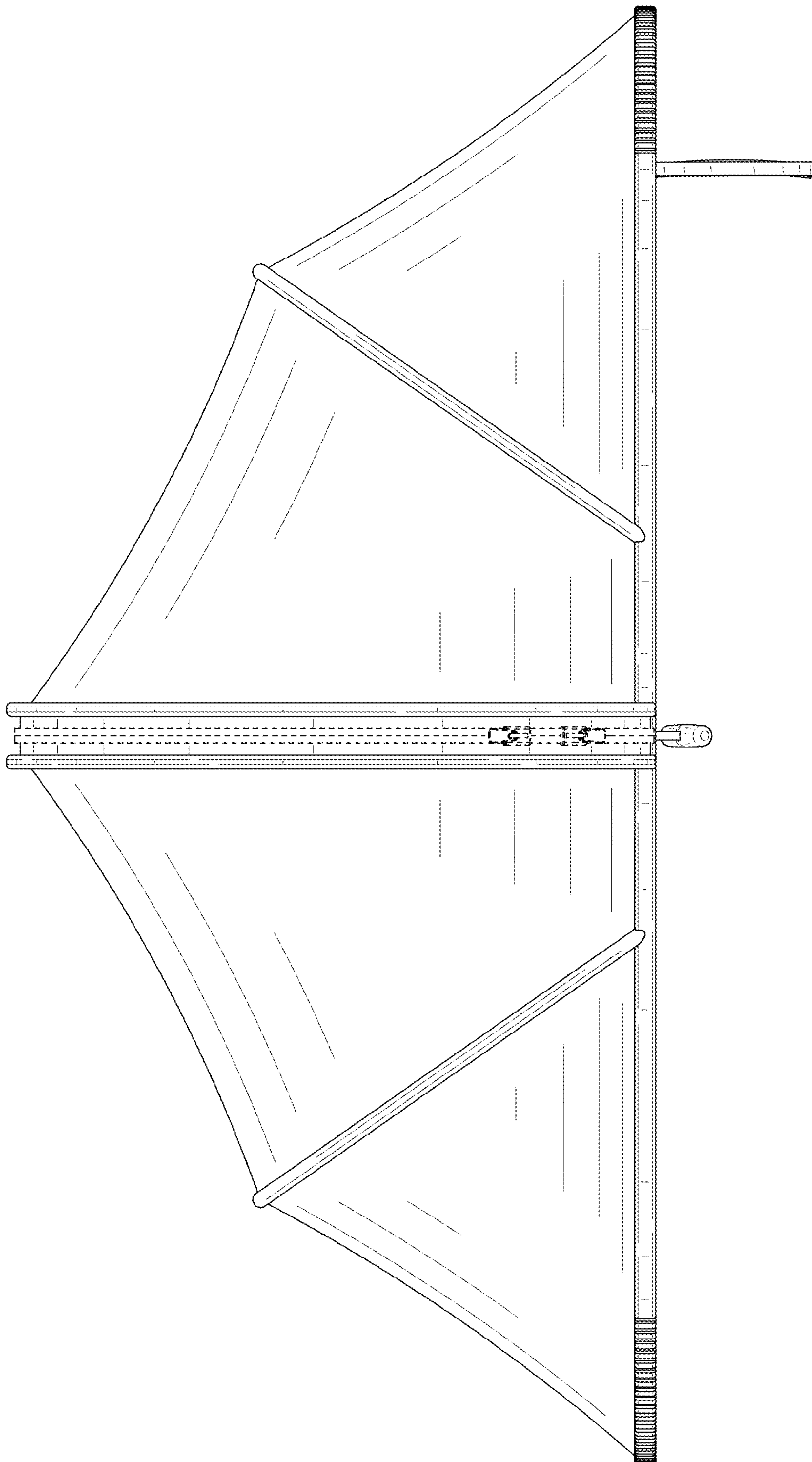


FIG. 4

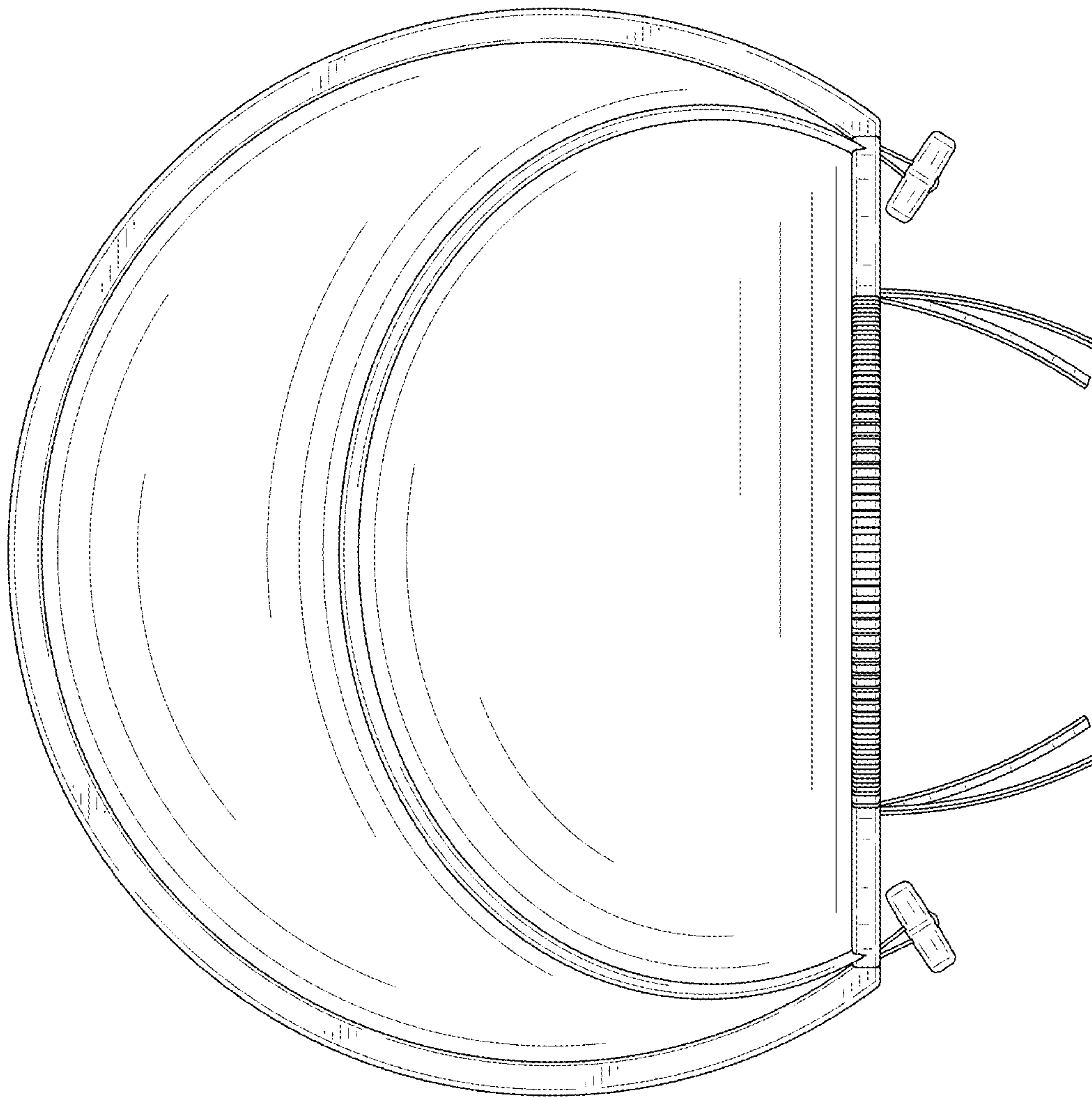


FIG. 5



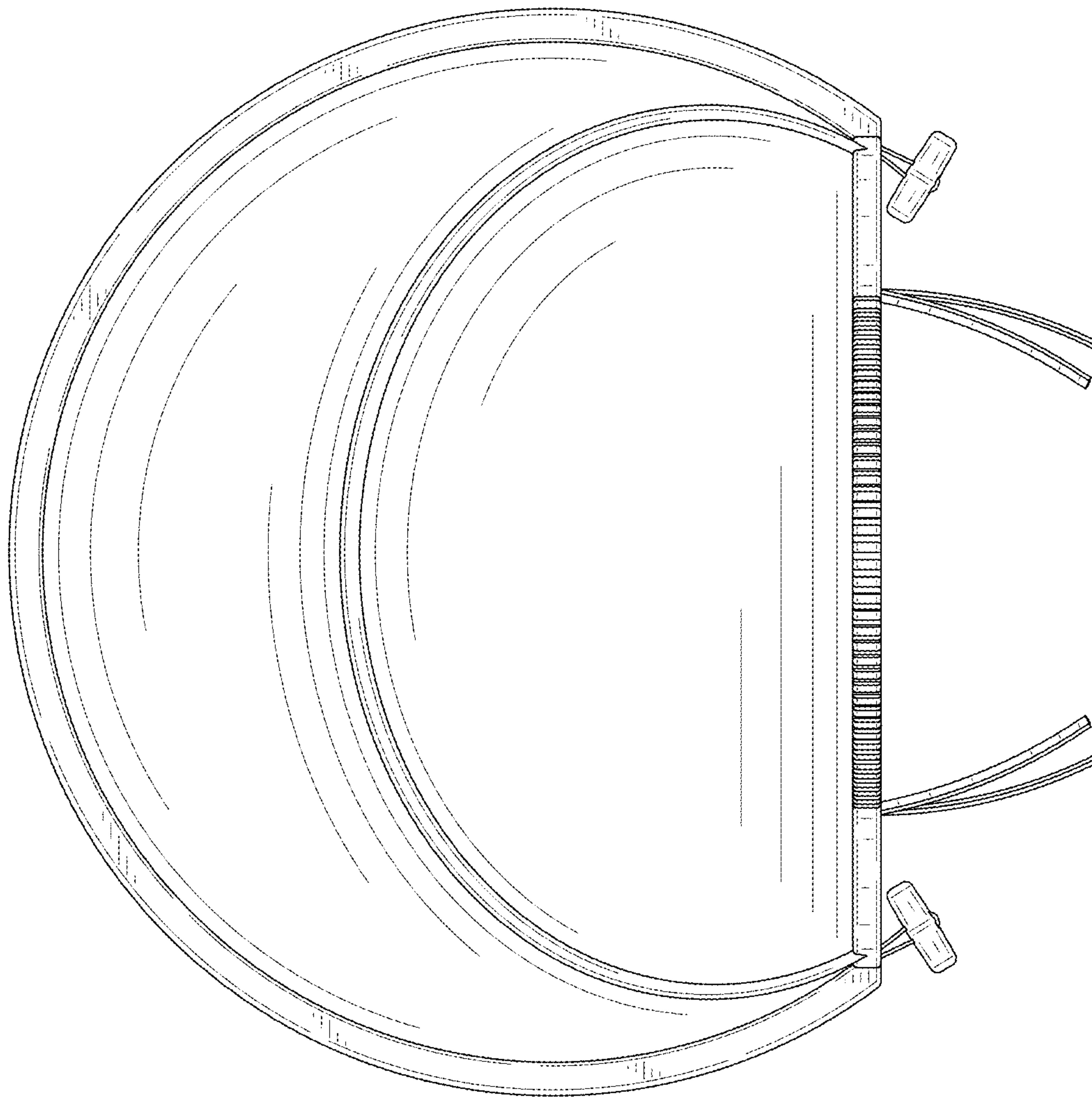


FIG. 6



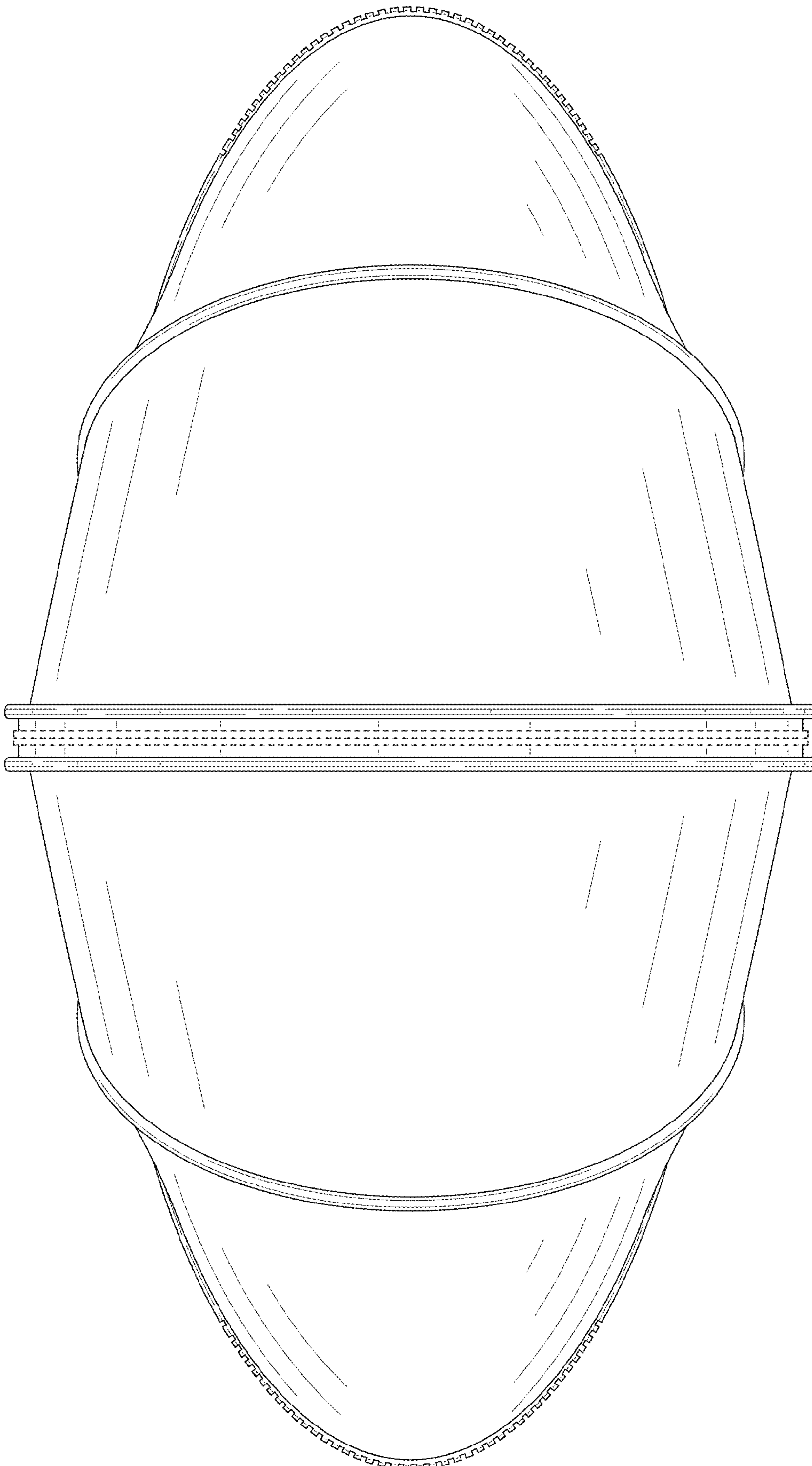


FIG. 7

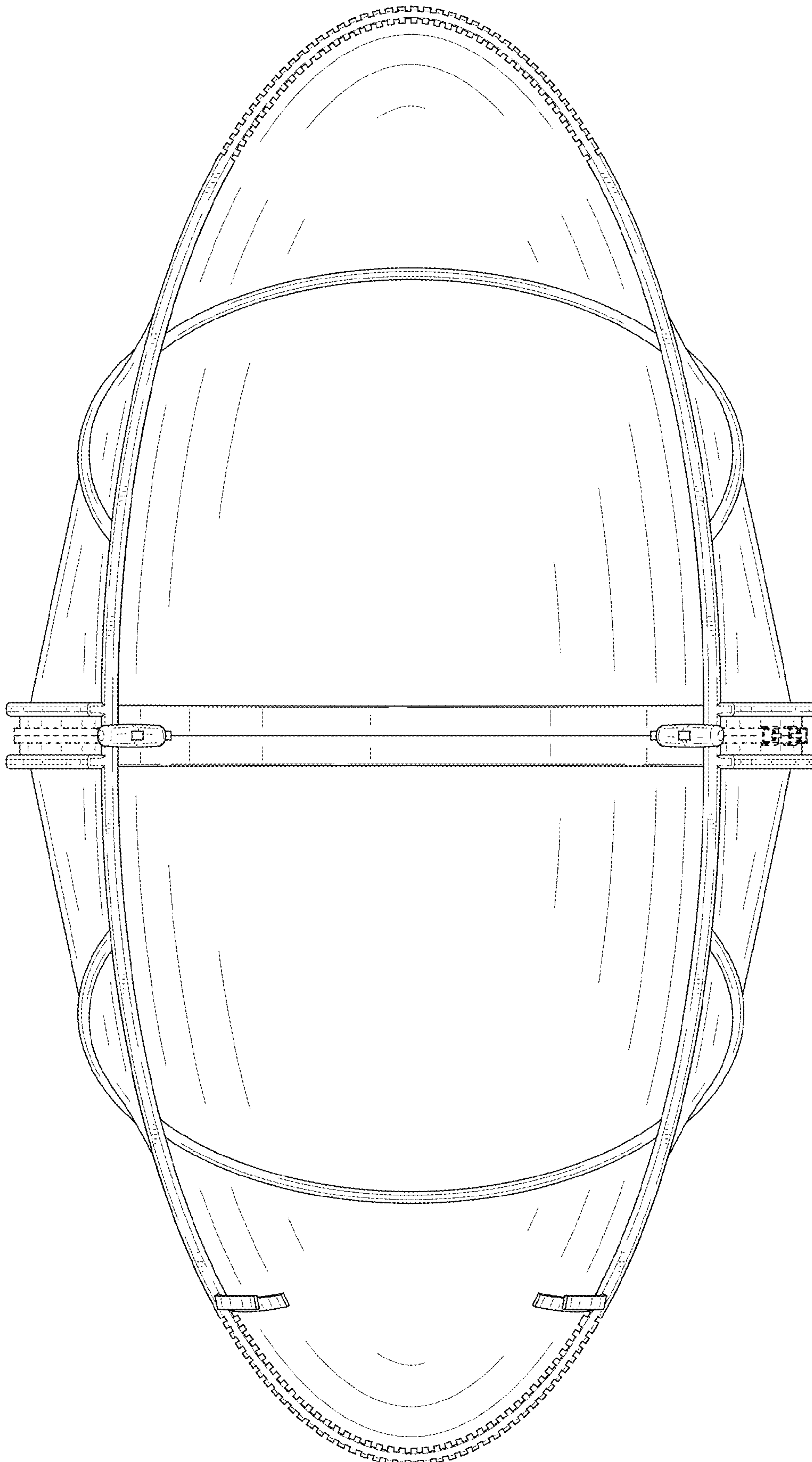


FIG. 8

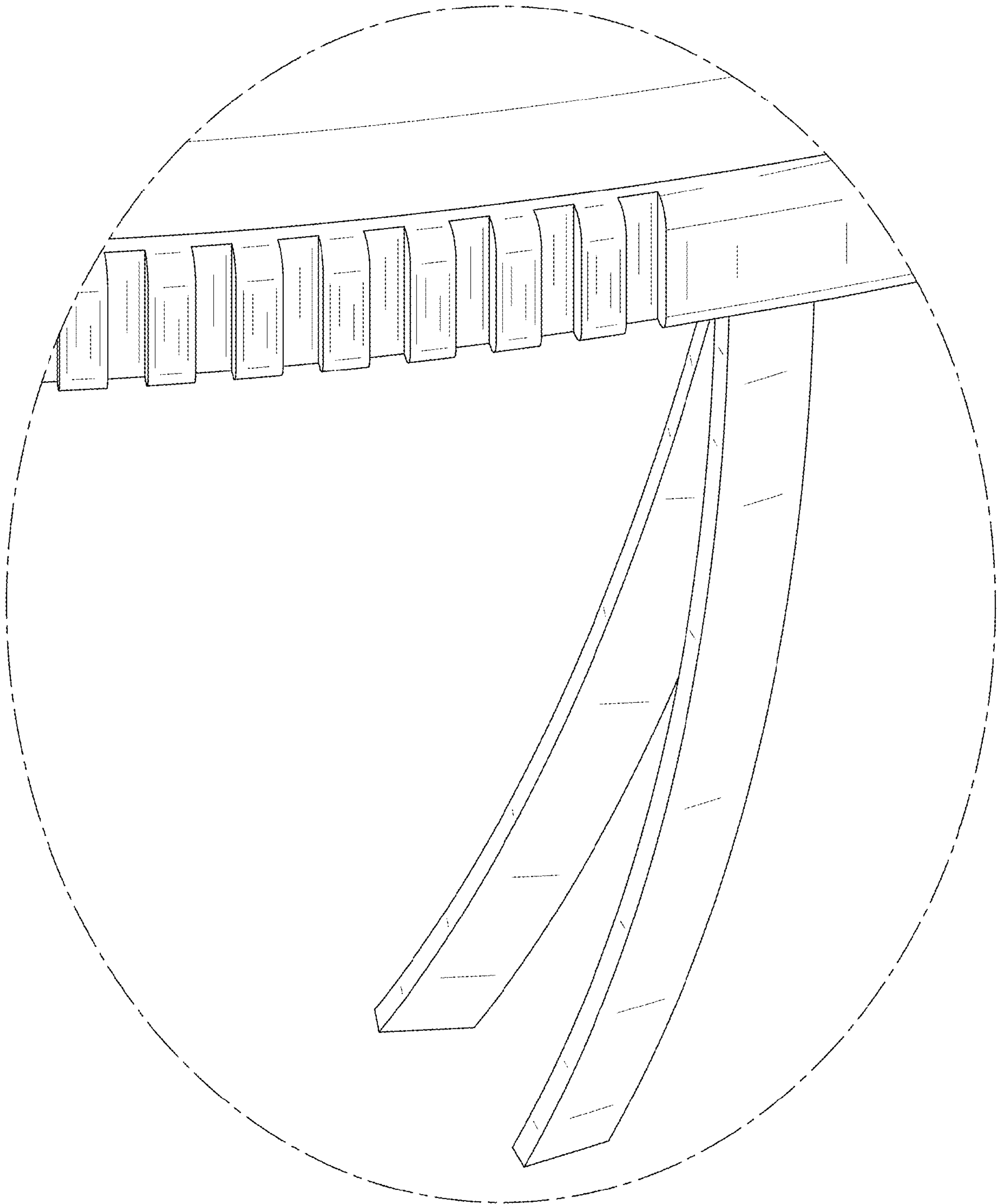


FIG. 9

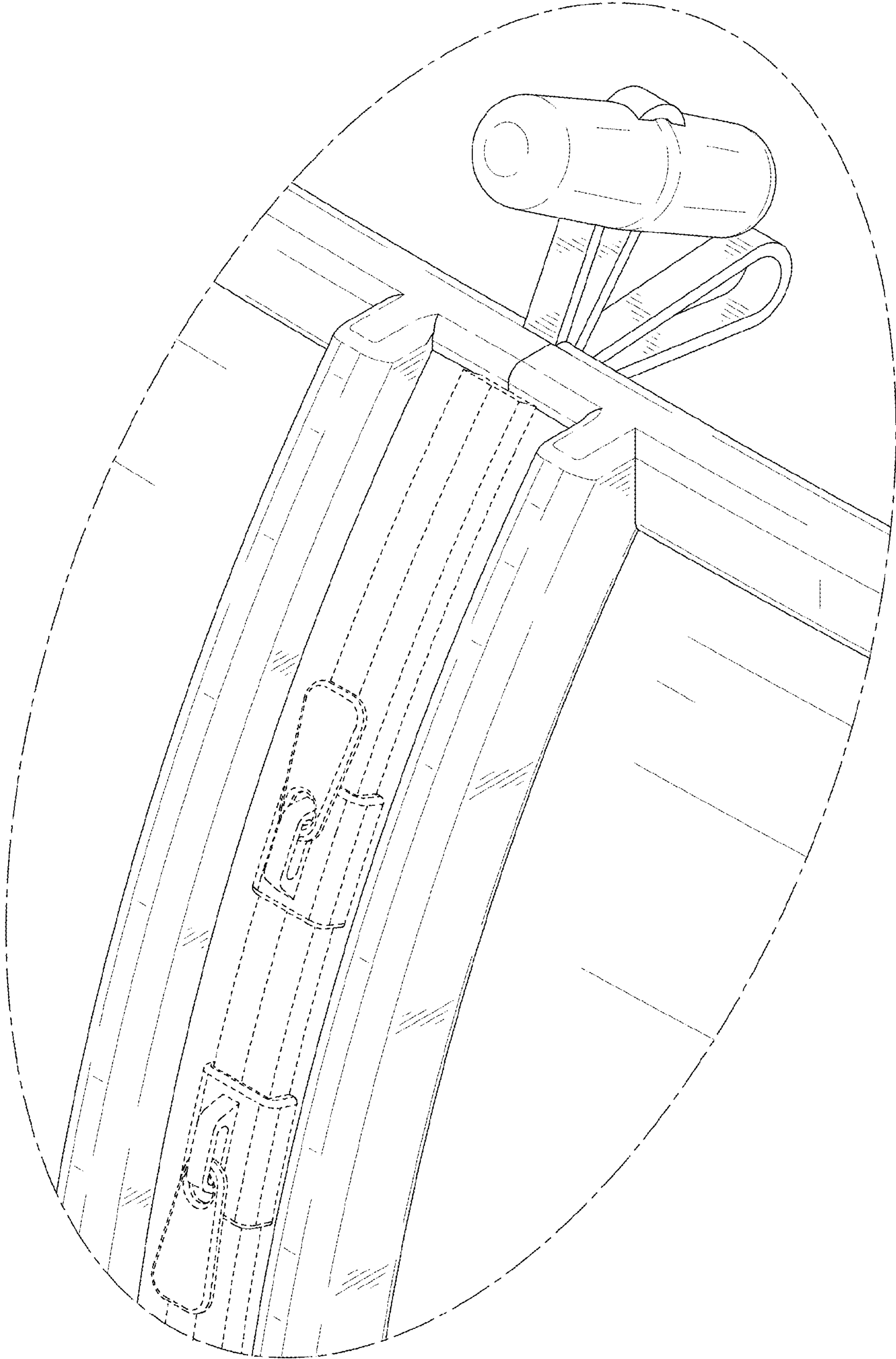


FIG. 10