



US00D958009S

(12) **United States Design Patent** (10) **Patent No.:** **US D958,009 S**
Lou (45) **Date of Patent:** **** Jul. 19, 2022**

(54) **ELECTRIC TRICYCLE**
(71) Applicant: **Ningbo Nanyang Vehicle Co., Ltd., Cixi (CN)**
(72) Inventor: **Pandeng Lou, Cixi (CN)**
(73) Assignee: **Ningbo Nanyang Vehicle Co., Ltd., Cixi (CN)**

(**) Term: **15 Years**
(21) Appl. No.: **29/652,886**
(22) Filed: **Dec. 29, 2020**
(51) **LOC (13) Cl.** **12-11**
(52) **U.S. Cl.**
USPC **D12/112**
(58) **Field of Classification Search**
USPC D12/101, 102, 105, 111, 112, 117
CPC . B62K 9/00; B62K 9/02; B62K 27/12; B62K 27/16; B62K 27/003
See application file for complete search history.

8,814,186 B1 * 8/2014 Rinda B62K 5/10
280/5.509
D785,508 S * 5/2017 Coleman D12/112
D845,837 S * 4/2019 Jin D12/112
D869,342 S * 12/2019 Heidi D12/112
10,577,045 B2 * 3/2020 Walter B62K 3/02
D931,761 S * 9/2021 Hasuike D12/112
D931,762 S * 9/2021 Hasuike D12/112
2018/0265154 A1 * 9/2018 Mulyadi B62M 6/70

OTHER PUBLICATIONS

“Germany’s Twenty Inch Cargo Bike.” Electric Bike Action Magazine., Jun. 3, 2014 [online], [retrieved on May 13, 2022]. Retrieved from the Internet <URL: <https://electricbikeaction.com/germanys-twenty-inch-cargo-bike/>>.*
Max Jaconelli. “Electric Cargo Bikes—A key transport solution for London in 2019.” Fully Charged., Apr. 29, 2019 [online], [retrieved on May 13, 2022]. Retrieved from the Internet <URL: <https://www.fullycharged.com/newsandreviews/electric-cargo-bikes-london-solution/>>.*

* cited by examiner

Primary Examiner — Darlington Ly
(74) *Attorney, Agent, or Firm* — Wang Law Firm, Inc.

(57) **CLAIM**

The ornamental design for an electric tricycle, as shown and described.

DESCRIPTION

FIG. 1 is a front view of an electric tricycle showing my new design;
FIG. 2 is a rear view thereof;
FIG. 3 is a right view thereof;
FIG. 4 is a left view thereof;
FIG. 5 is a top perspective view thereof; and,
FIG. 6 is a perspective view thereof.

1 Claim, 6 Drawing Sheets

(56) **References Cited**

U.S. PATENT DOCUMENTS

D149,193 S * 4/1948 Larralde 280/92
D149,194 S * 4/1948 Larralde D12/112
3,598,195 A * 8/1971 Steller B62K 5/02
180/65.265
D234,353 S * 2/1975 Bingham D12/112
D234,757 S * 4/1975 Veziano D12/112
D254,968 S * 5/1980 Moore D12/112
D255,111 S * 5/1980 Palmer D12/85
D280,890 S * 10/1985 Trudo D12/112
D289,273 S * 4/1987 Berger D12/112
D308,499 S * 6/1990 Berger D12/112
D310,644 S * 9/1990 Koehler D12/112





Fig. 1

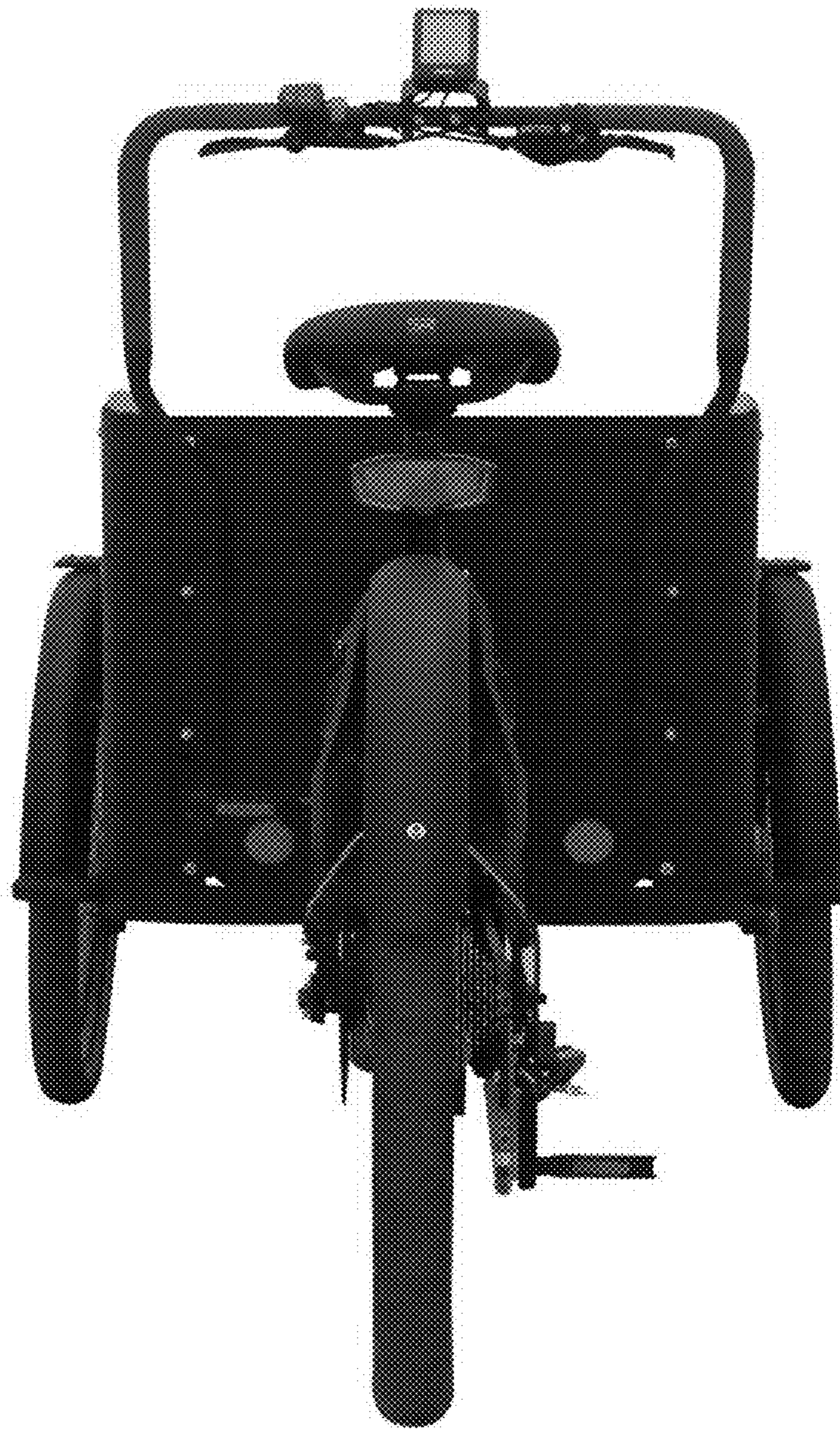


Fig. 2

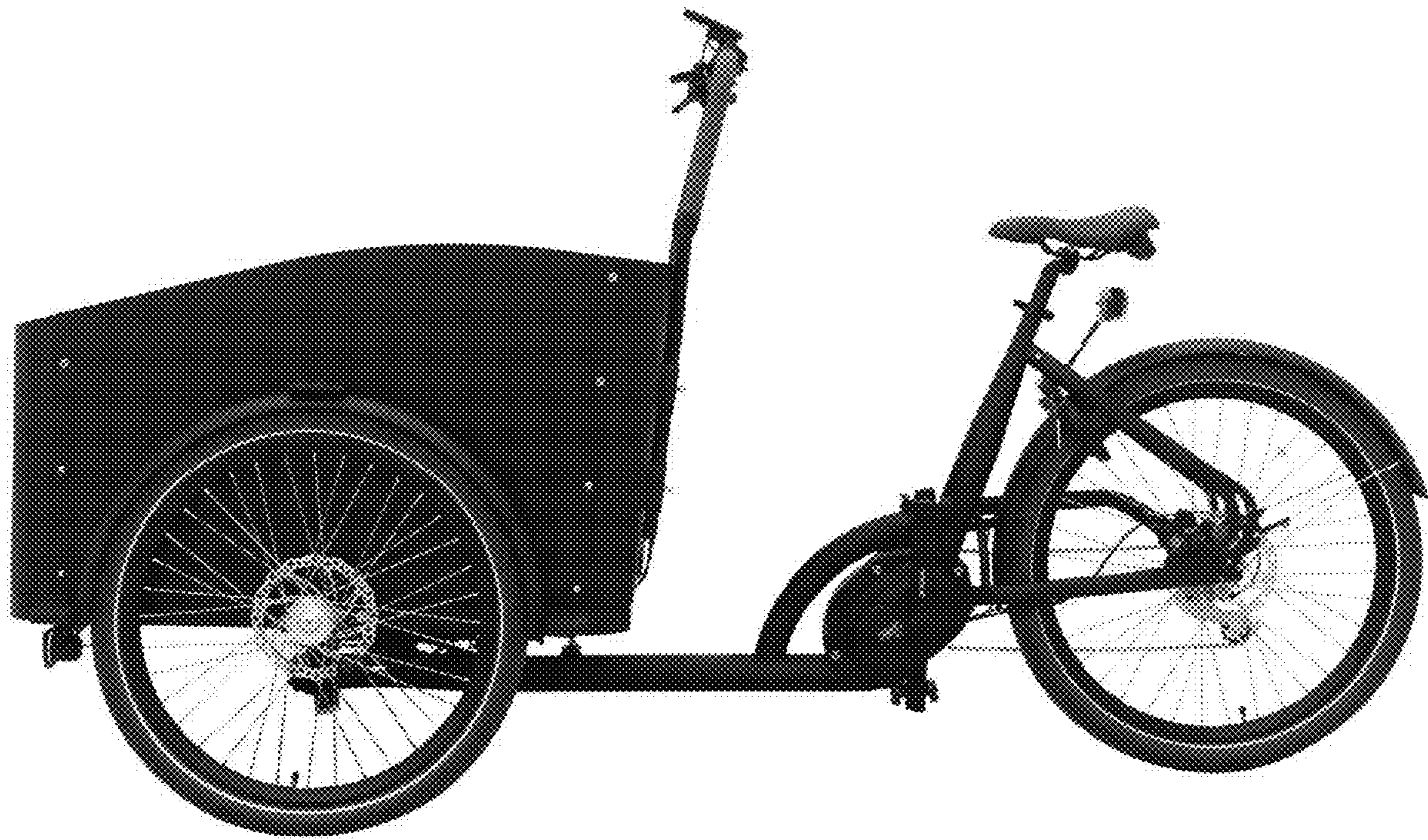


Fig. 3



Fig. 4

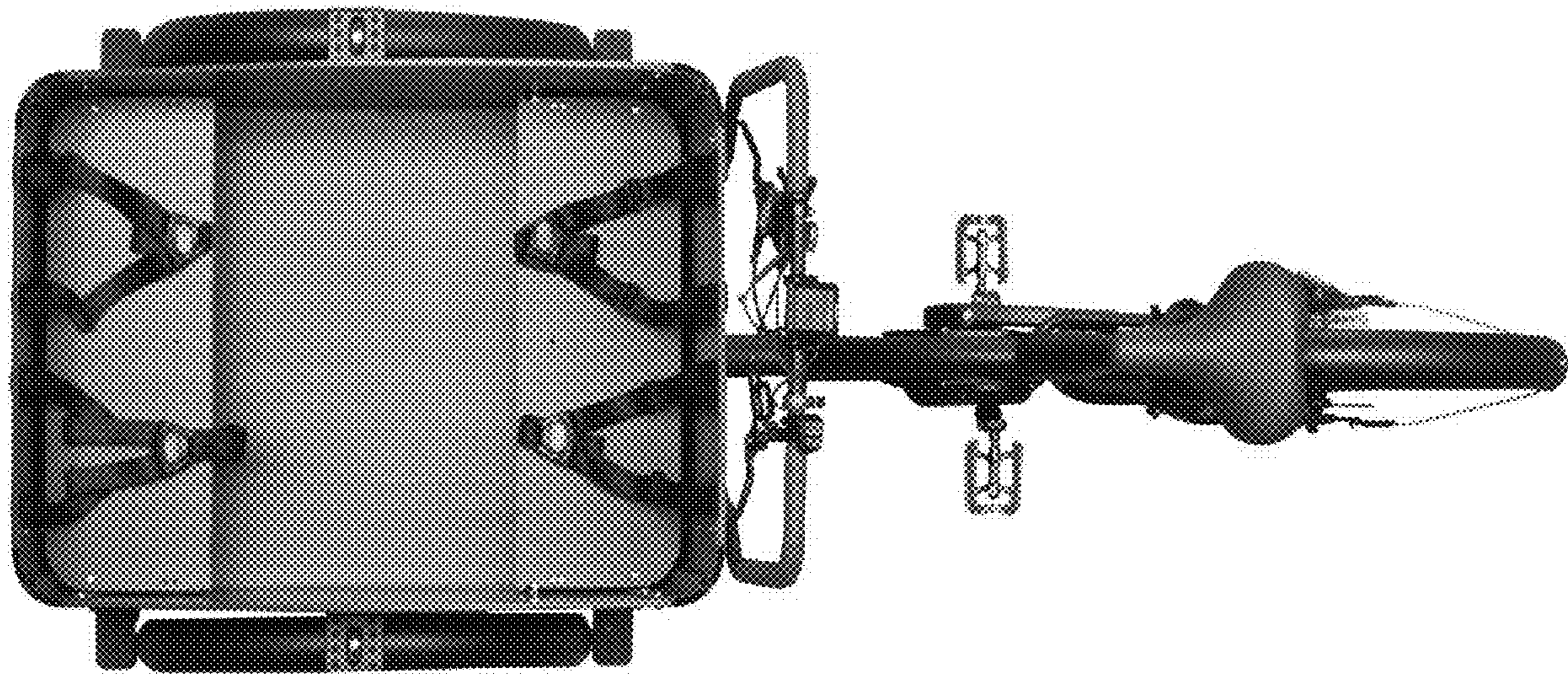


Fig. 5



Fig. 6