



US00D958007S

(12) **United States Design Patent**
Tang et al.

(10) **Patent No.:** **US D958,007 S**
(45) **Date of Patent:** **** Jul. 19, 2022**

(54) **ELECTROMOBILE**
(71) Applicant: **NINEBOT (BEIJING) TECH CO., LTD**, Beijing (CN)
(72) Inventors: **Jun Tang**, Beijing (CN); **Lei Liu**, Beijing (CN); **Shengqiao Zhang**, Beijing (CN); **Haoran Liu**, Beijing (CN); **Xing Liu**, Beijing (CN); **Lufeng Gao**, Beijing (CN)

D563,283 S * 3/2008 Cheng D12/110
D585,334 S * 1/2009 Chiu D12/110
D599,710 S * 9/2009 Chen D12/110
D601,457 S * 10/2009 Hong D12/110
D602,814 S * 10/2009 Lin D12/110
D642,497 S * 8/2011 Lin D12/110
D664,898 S * 8/2012 Van Hooydonk D12/110
D673,882 S * 1/2013 Tartarini D12/110
D729,124 S * 5/2015 Lambri D12/110
D794,510 S * 8/2017 Luke D12/110
D826,100 S * 8/2018 Milosevic D12/110

(73) Assignee: **NINEBOT (BEIJING) TECH. CO., LTD**, Beijing (CN)

FOREIGN PATENT DOCUMENTS

(**) Term: **15 Years**

CN 303297142 S 7/2015
CN 303507331 S 12/2015
CN 303929653 S 11/2016
CN 303929782 S 11/2016

(21) Appl. No.: **29/679,198**

(Continued)

(22) Filed: **Feb. 3, 2019**

Primary Examiner — Samantha Wood

(30) **Foreign Application Priority Data**

(74) *Attorney, Agent, or Firm* — Polson Intellectual Property Law, PC; Margaret Polson

Aug. 3, 2018 (CN) 201830426441.7

(51) **LOC (13) Cl.** **12-11**

(57) **CLAIM**

(52) **U.S. Cl.**
USPC **D12/110**

The ornamental design for an electromobile, as shown and described.

(58) **Field of Classification Search**
USPC D12/107, 108, 110, 111, 112, 113, 114, D12/117, 118, 119, 122, 126
CPC B62K 11/00; B62K 11/02; B62K 11/04; B62K 11/06; B62K 11/08; B62K 11/10; B62K 11/12; B62K 11/14; B62K 5/00; B62K 5/003; B62K 5/007; B62K 19/00; B62K 19/02; B62K 19/18; B62K 19/06; B62K 2202/00
See application file for complete search history.

DESCRIPTION

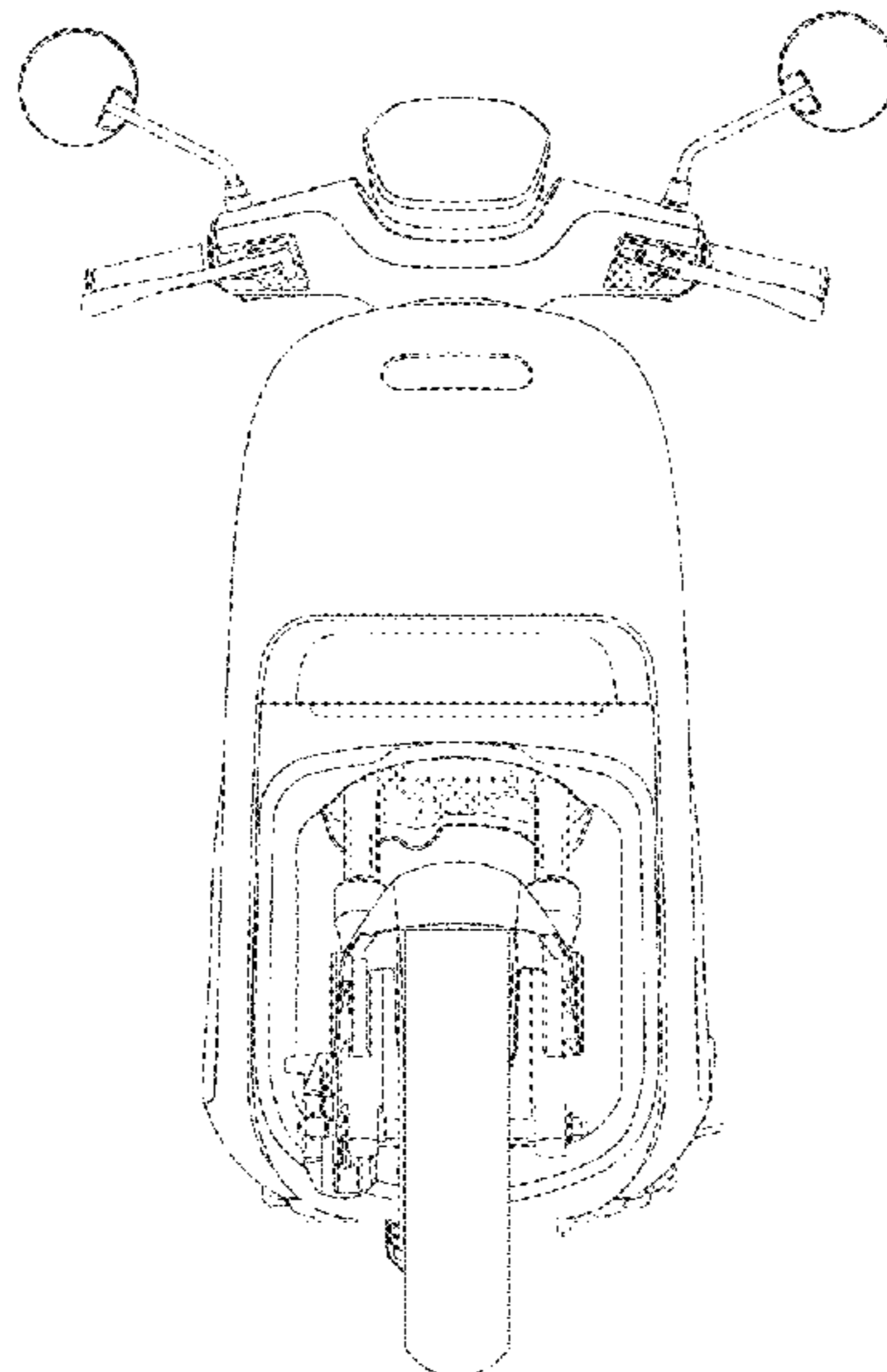
FIG. 1 is a front view of an electromobile showing my new design;
FIG. 2 is a back view thereof;
FIG. 3 is a left side view thereof;
FIG. 4 is a right side view thereof;
FIG. 5 is a top view thereof;
FIG. 6 is a bottom view thereof; and,
FIG. 7 is a perspective view thereof.
The broken lines shown in the drawings illustrate portions of the electromobile that form no part of the claimed design.

(56) **References Cited**

U.S. PATENT DOCUMENTS

D253,588 S * 12/1979 Ban D12/110
D514,987 S * 2/2006 Hsiao D12/110

1 Claim, 7 Drawing Sheets



(56)

References Cited

FOREIGN PATENT DOCUMENTS

CN	303968031	S	12/2016
CN	304385869	S	12/2017
CN	304559126	S	3/2018
CN	304634678	S	5/2018
CN	304752181	S	7/2018
EM	004147478-0001	*	8/2017
EM	005328549-0001	*	6/2018
GB	6049180	*	11/2018
IN	289709	*	12/2016
JP	D1451968	A	10/2012
WO	0051878	A1 *	9/2000

* cited by examiner

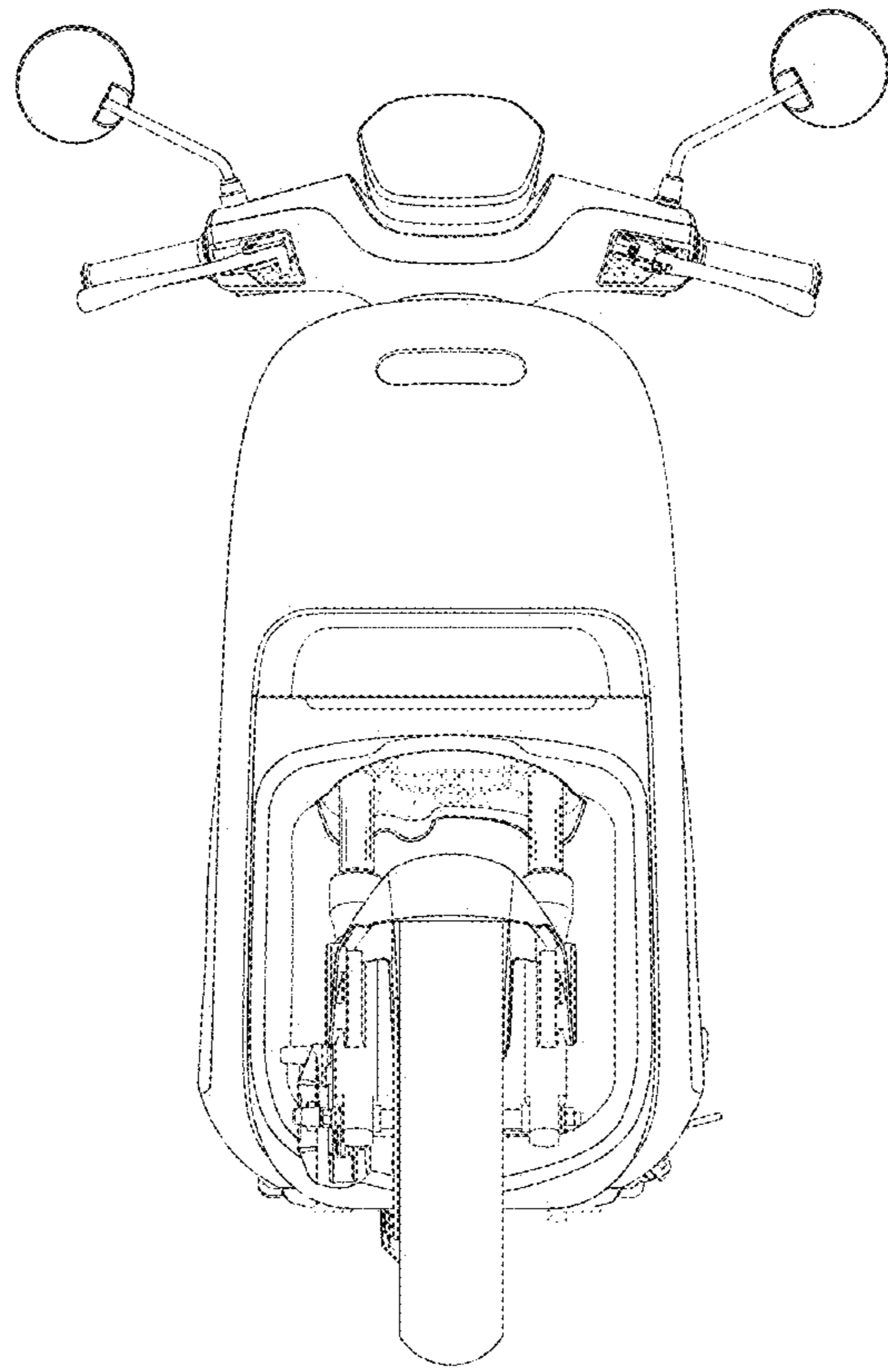


Fig. 1

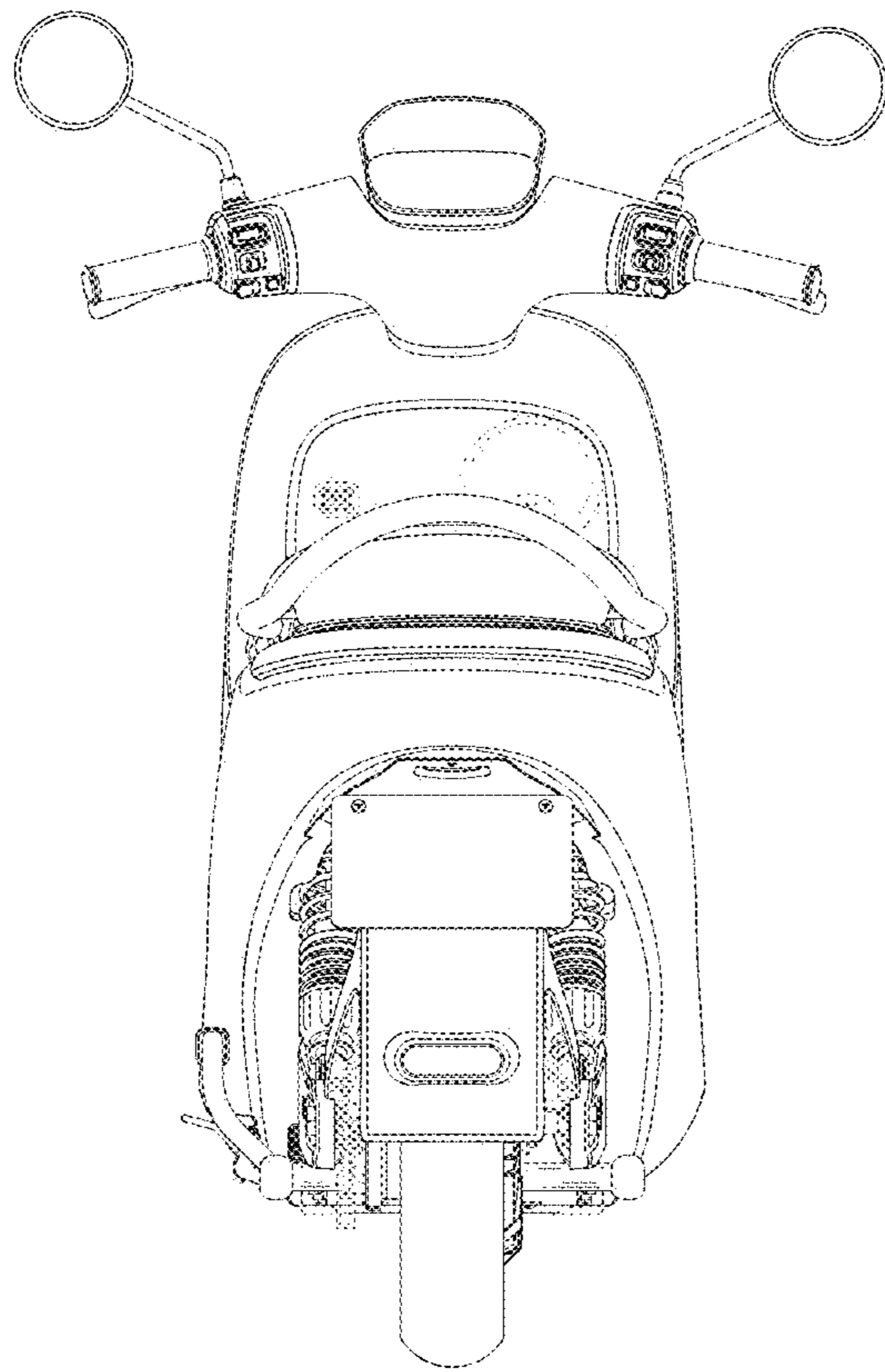


Fig. 2

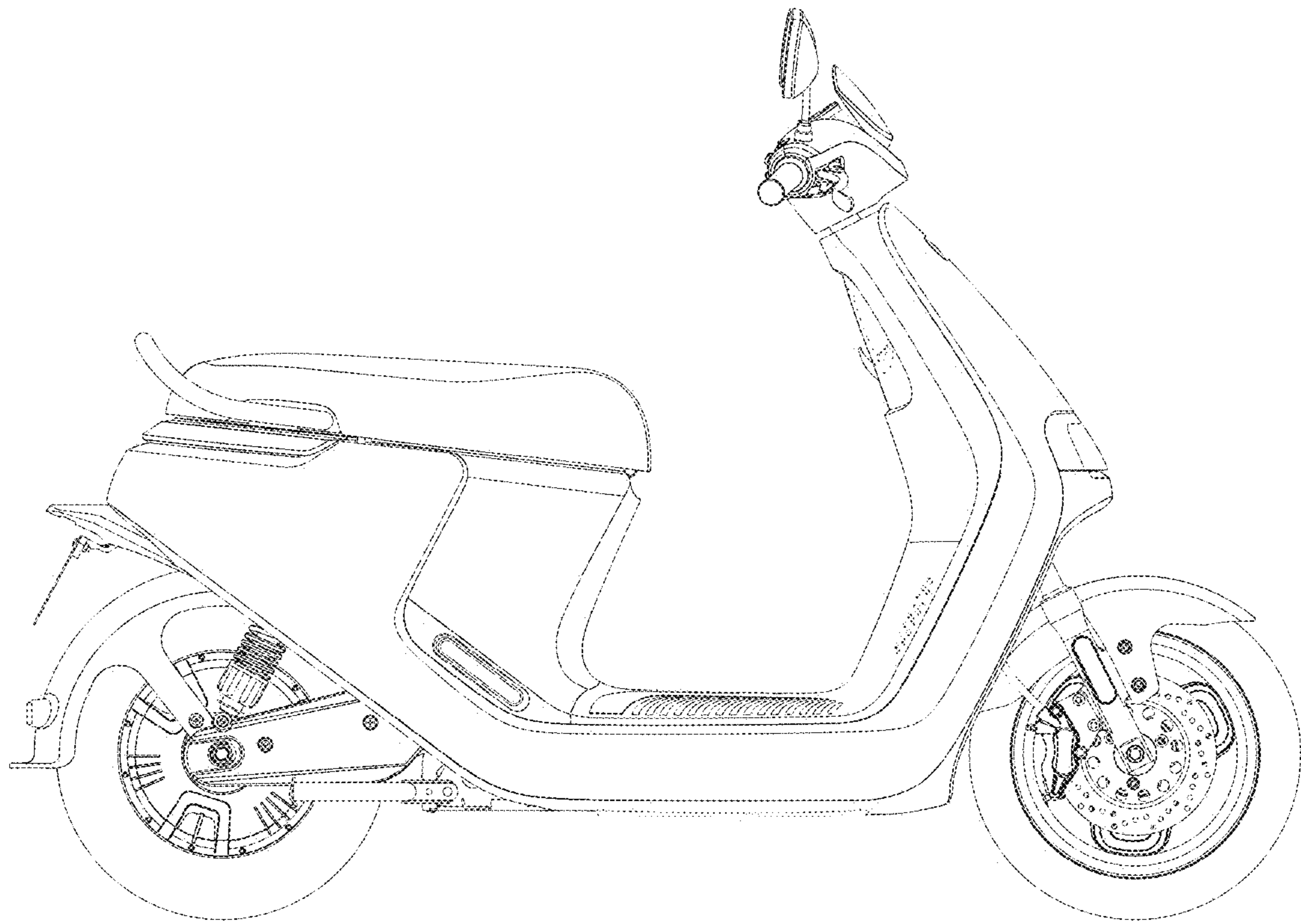


Fig. 3

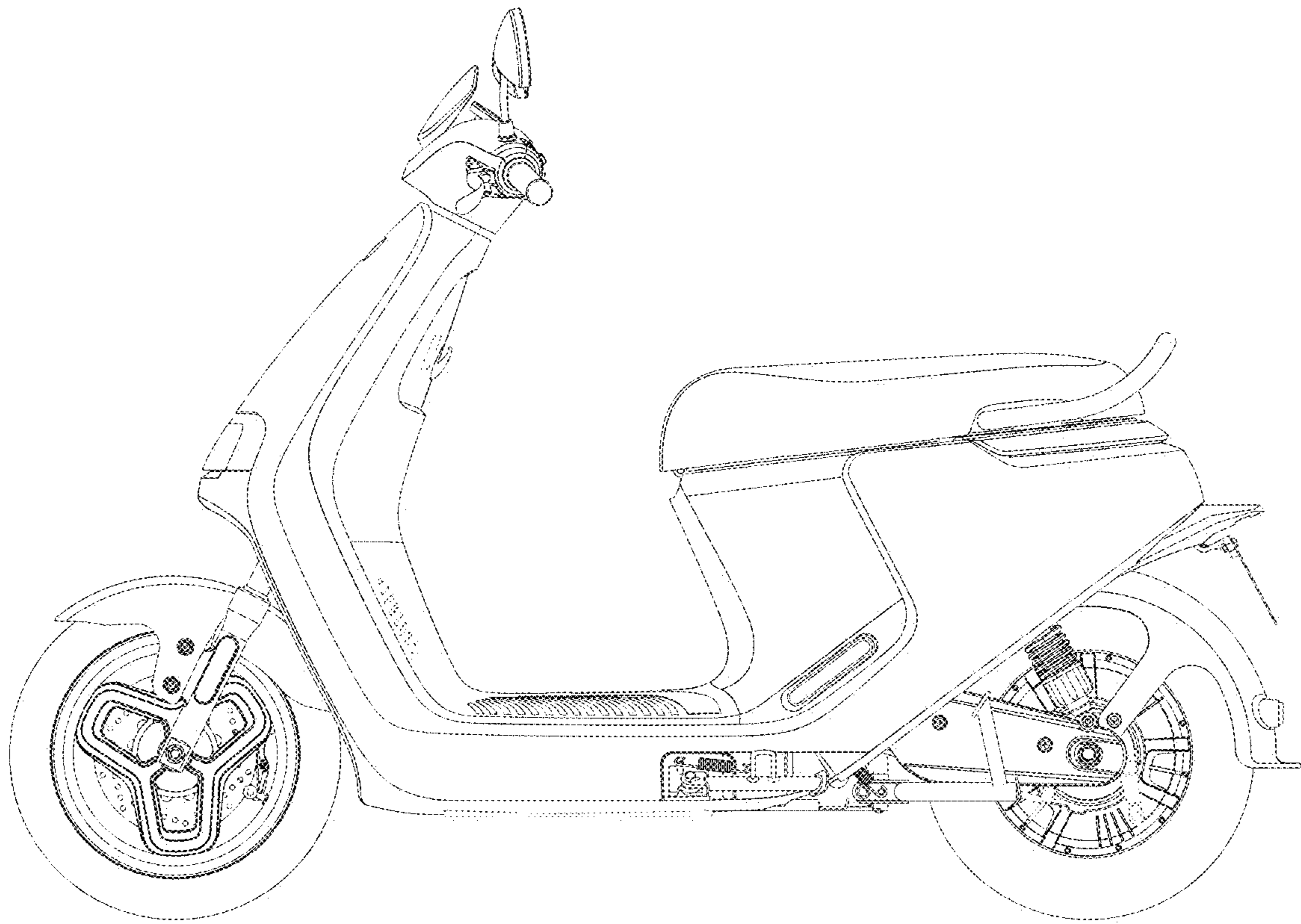


Fig. 4

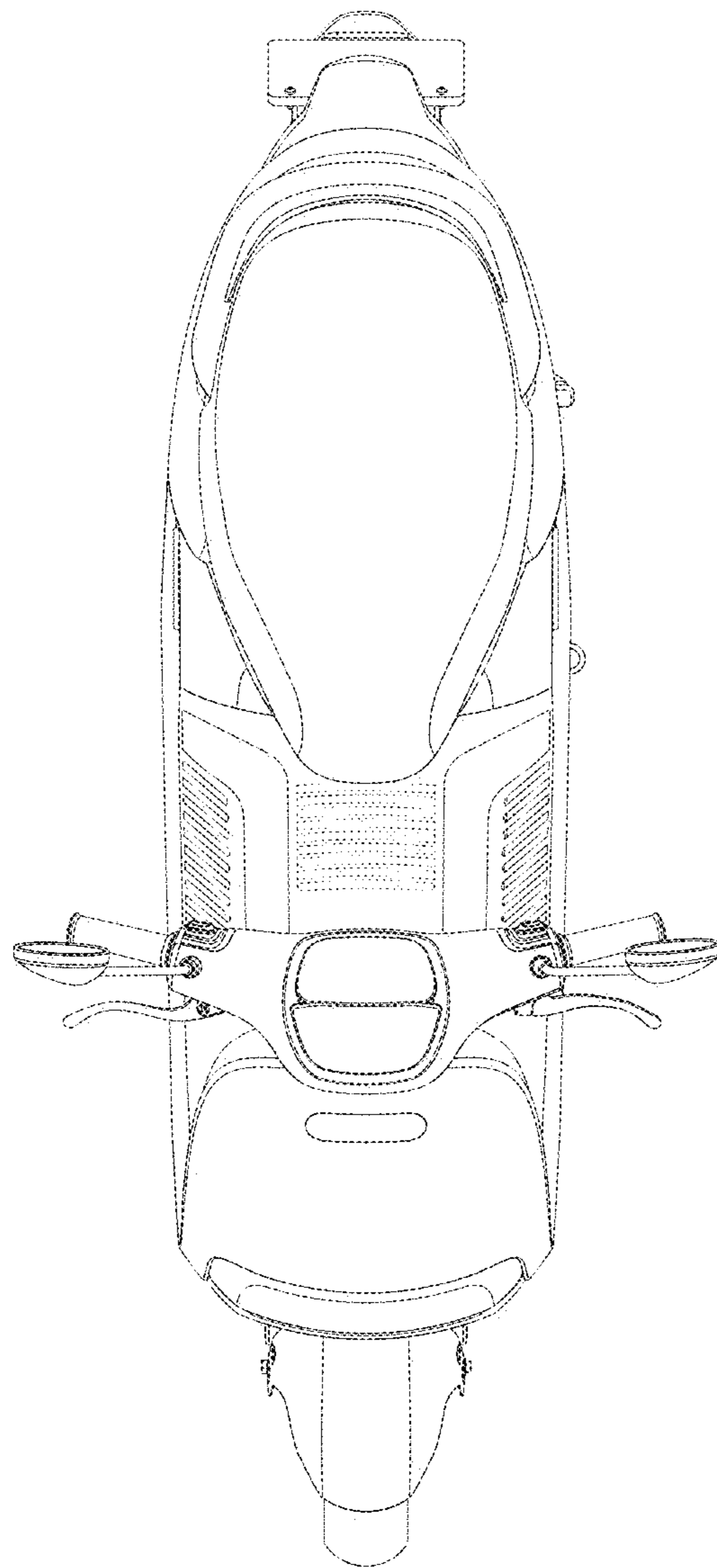


Fig. 5

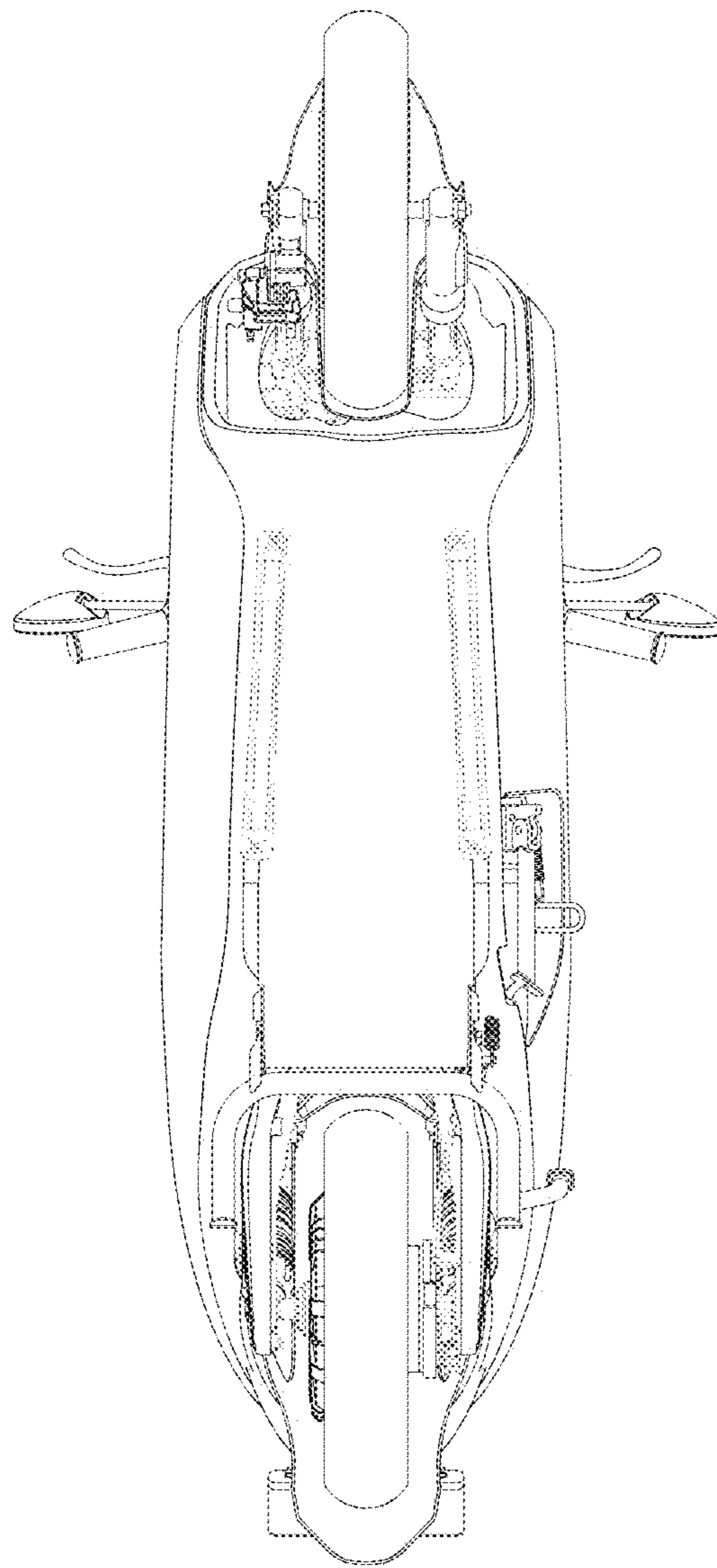


Fig. 6

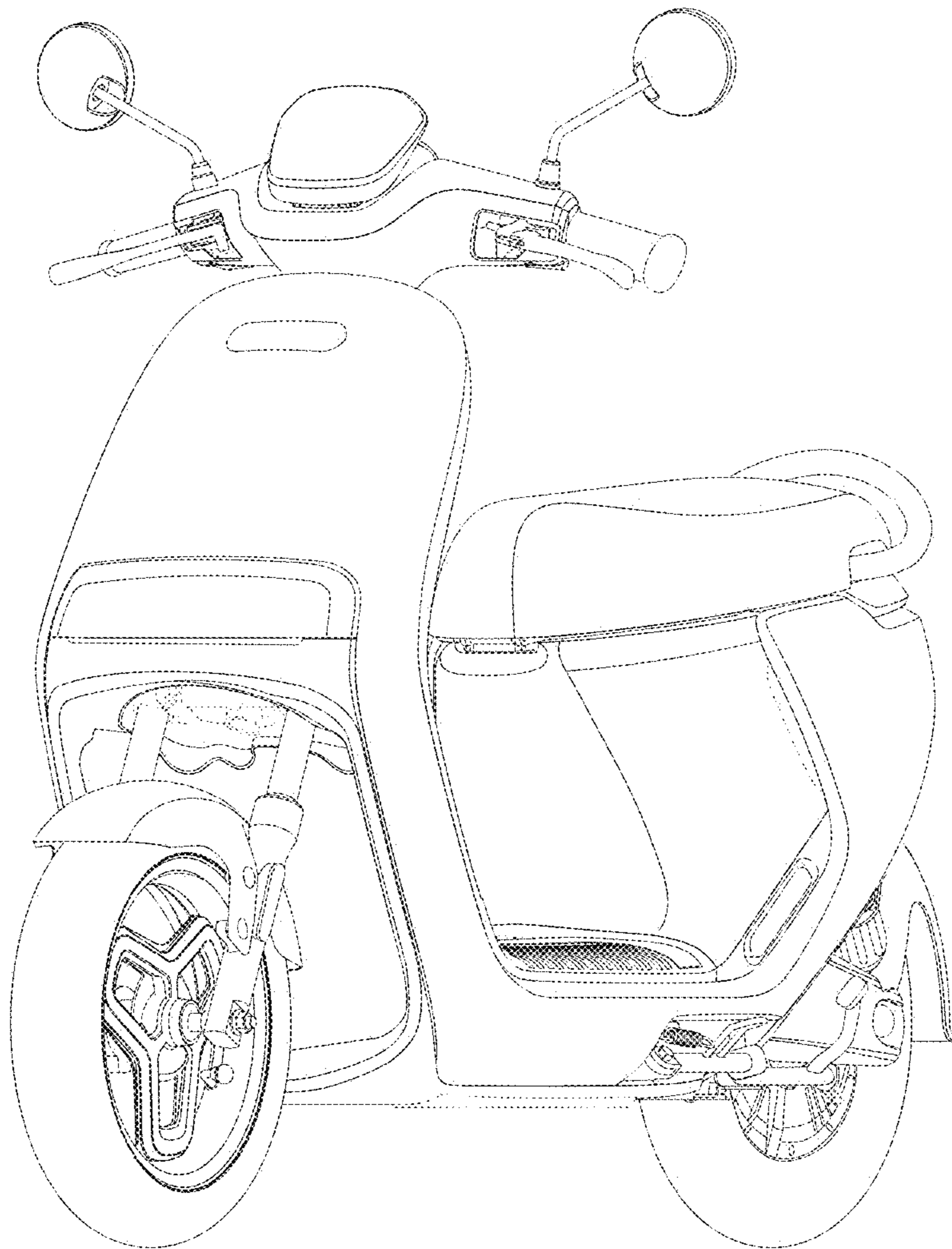


Fig. 7