



US00D958006S

(12) **United States Design Patent** (10) **Patent No.:** **US D958,006 S**
Dunn et al. (45) **Date of Patent:** **** Jul. 19, 2022**

- (54) **ALL-TERRAIN VEHICLE**
- (71) Applicant: **Polaris Industries Inc.**, Medina, MN (US)
- (72) Inventors: **Ian M. Dunn**, Chanhassen, MN (US); **Brian N. Flick**, Maple Grove, MN (US)
- (73) Assignee: **Polaris Industries Inc.**, Medina, MN (US)

3,347,512 A 10/1967 Campbell
 3,508,764 A 4/1970 Dobson et al.
 3,560,022 A 2/1971 Gold
 3,736,020 A 5/1973 Pilachowski et al.
 (Continued)

FOREIGN PATENT DOCUMENTS

CA 3004855 A1 11/2019
 CH 317335 A 11/1956
 (Continued)

- (**) Term: **15 Years**
- (21) Appl. No.: **29/814,968**
- (22) Filed: **Nov. 10, 2021**

OTHER PUBLICATIONS

“2020 Fourtrax Recon” Honda., posted date Jun. 22, 2019 [online], [retrieved on Jul. 13, 2021]. Retrieved from the Internet <URL: <https://powersports.honda.com/atv/recutility/fourtrax-recon?year=2020>> (Year: 2019).*

(Continued)

Related U.S. Application Data

- (62) Division of application No. 29/743,786, filed on Jul. 24, 2020, now Pat. No. Des. 937,710.
- (51) **LOC (13) Cl.** **12-11**
- (52) **U.S. Cl.**
USPC **D12/107**
- (58) **Field of Classification Search**
USPC D12/3, 86, 87, 107, 110
CPC B60K 5/12; B60K 13/04; B60K 17/354
See application file for complete search history.

Primary Examiner — Darlington Ly

Assistant Examiner — Nasim Abdulaziz Ali

(74) *Attorney, Agent, or Firm* — Faegre Drinker Biddle & Reath LLP

(57) **CLAIM**

The ornamental design for an all-terrain vehicle, as shown and described.

DESCRIPTION

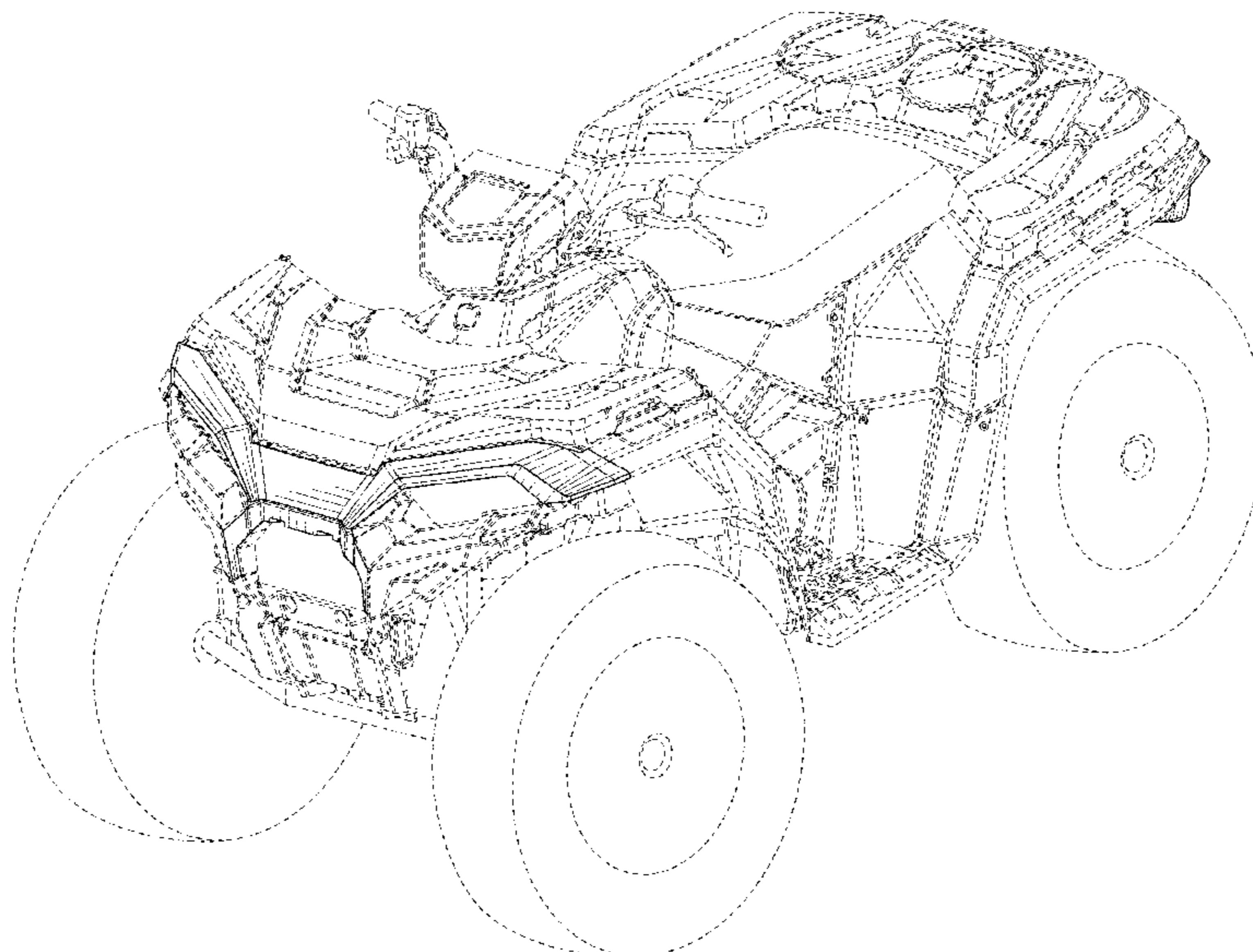
FIG. 1 is a front and left side perspective view of an all-terrain vehicle embodying our new design;
 FIG. 2 is a front elevation view thereof;
 FIG. 3 is a rear elevation view thereof;
 FIG. 4 is a left side elevation view thereof;
 FIG. 5 is a right side elevation view thereof; and,
 FIG. 6 is a top plan view thereof.
 The portions of the vehicle and the vehicle components shown in broken lines form no part of the claimed design.

(56) **References Cited**

U.S. PATENT DOCUMENTS

- 1,082,423 A 12/1913 Hartman
- 1,951,220 A 3/1934 Tarr
- 2,141,093 A 12/1938 Edward et al.
- 2,284,352 A 5/1942 Zank
- 2,396,511 A 3/1946 Issigonis
- 2,628,657 A 2/1953 Orrick, Jr.
- 2,672,103 A 3/1954 Hohmes
- 2,868,273 A 1/1959 Barrett
- 2,984,290 A 5/1961 Miller
- 3,167,298 A 1/1965 Alexander et al.

1 Claim, 6 Drawing Sheets



(56)

References Cited

U.S. PATENT DOCUMENTS

| | | | | | | | | |
|-----------|----|---------|------------------|--------------|------|---------|-------------------|----------------------|
| 3,747,888 | A | 7/1973 | Heckett | 7,008,015 | B2 | 3/2006 | Bischoff | |
| 3,841,696 | A | 10/1974 | Wagner | 7,055,454 | B1 | 6/2006 | Whiting et al. | |
| 3,844,610 | A | 10/1974 | Adams | 7,121,371 | B2 | 10/2006 | Rondeau et al. | |
| 3,858,902 | A | 1/1975 | Howells et al. | 7,124,853 | B1 | 10/2006 | Kole, Jr. | |
| 3,913,975 | A | 10/1975 | Carter | 7,125,134 | B1 | 10/2006 | Hedlund et al. | |
| 3,927,854 | A | 12/1975 | Carey | 7,137,764 | B2 | 11/2006 | Johnson | |
| 4,027,892 | A | 6/1977 | Parks | 7,237,789 | B1 | 7/2007 | Herman | |
| 4,059,171 | A | 11/1977 | Pakosh | 7,239,032 | B1 | 7/2007 | Wilson et al. | |
| 4,062,585 | A | 12/1977 | Herring, Jr. | 7,258,192 | B2 | 8/2007 | Davis et al. | |
| 4,098,414 | A | 7/1978 | Abiera | 7,331,418 | B2 | 2/2008 | Audet | |
| 4,129,198 | A | 12/1978 | Hunter | 7,416,234 | B2 | 8/2008 | Bequette | |
| 4,198,092 | A | 4/1980 | Federspiel | 7,431,024 | B2 | 10/2008 | Buchwitz et al. | |
| 4,380,352 | A | 4/1983 | Diffrient | 7,506,714 | B2 | 3/2009 | Davis et al. | |
| 4,521,053 | A | 6/1985 | De Boer | D593,003 | S * | 5/2009 | Sanschagrin | D12/107 |
| 4,522,454 | A | 6/1985 | Hochstatter | D593,454 | S * | 6/2009 | Sanschagrin | D12/107 |
| 4,527,831 | A | 7/1985 | Katsuoka | D594,388 | S * | 6/2009 | Sanschagrin | D12/107 |
| 4,561,323 | A | 12/1985 | Stromberg | D606,900 | S * | 12/2009 | Flores | D12/87 |
| 4,563,038 | A | 1/1986 | Hirose | 7,682,115 | B1 | 3/2010 | Jay et al. | |
| 4,662,597 | A | 5/1987 | Uecker et al. | 7,686,368 | B2 | 3/2010 | Ghergheli et al. | |
| 4,714,227 | A | 12/1987 | Holm et al. | 7,703,826 | B1 | 4/2010 | German | |
| 4,779,695 | A | 10/1988 | Yasui | 8,122,993 | B2 | 2/2012 | Ripley et al. | |
| 4,821,825 | A | 4/1989 | Somerton-Rayner | D657,720 | S * | 4/2012 | Eck | D12/107 |
| 4,844,309 | A | 7/1989 | Aubin et al. | 8,205,910 | B2 | 6/2012 | Leonard et al. | |
| 4,934,737 | A | 6/1990 | Nakatsuka | 8,215,694 | B2 | 7/2012 | Smith et al. | |
| 4,941,784 | A | 7/1990 | Flament | D665,309 | S * | 8/2012 | Lepine | D12/107 |
| 5,007,675 | A | 4/1991 | Musto et al. | D665,312 | S * | 8/2012 | Lepine | D12/126 |
| 5,036,939 | A | 8/1991 | Johnson et al. | 8,376,441 | B2 | 2/2013 | Nakamura et al. | |
| 5,037,155 | A | 8/1991 | Holm et al. | 8,430,442 | B2 | 4/2013 | Utke et al. | |
| 5,149,034 | A | 9/1992 | Ganaja | D701,143 | S * | 3/2014 | Shan | D12/87 |
| 5,251,713 | A | 10/1993 | Enokimoto | 8,678,464 | B2 | 3/2014 | Smith et al. | |
| 5,309,861 | A | 5/1994 | Mardikian | 8,905,435 | B2 | 12/2014 | Ripley et al. | |
| 5,324,095 | A | 6/1994 | Yamauchi | D722,927 | S * | 2/2015 | Schroeder | D12/171 |
| 5,367,978 | A | 11/1994 | Mardikian | D727,807 | S * | 4/2015 | Schroeder | D12/173 |
| 5,458,213 | A | 10/1995 | Nakaya et al. | 9,080,514 | B2 | 7/2015 | Utke et al. | |
| 5,509,496 | A | 4/1996 | Erickson et al. | D756,845 | S * | 5/2016 | Flores | D12/87 |
| 5,549,428 | A | 8/1996 | Yeatts | D805,009 | S * | 12/2017 | Eck | D12/171 |
| 5,613,570 | A | 3/1997 | Becker | 9,873,316 | B2 * | 1/2018 | Lovold | B62K 5/01 |
| 5,618,021 | A | 4/1997 | Brodersen | D862,286 | S * | 10/2019 | Flores | D12/87 |
| 5,676,292 | A | 10/1997 | Miller | D866,402 | S * | 11/2019 | Wang | D12/107 |
| 5,713,629 | A | 2/1998 | Plackis | 10,569,819 | B2 * | 2/2020 | Lovold | B62K 5/007 |
| 5,776,568 | A | 7/1998 | Andress et al. | D886,678 | S * | 6/2020 | Lai | D12/87 |
| 5,863,277 | A | 1/1999 | Melbourne | D906,181 | S * | 12/2020 | Lou | D12/107 |
| 5,876,085 | A | 3/1999 | Hill | D908,536 | S * | 1/2021 | Ye | D12/87 |
| 5,950,750 | A | 9/1999 | Dong et al. | D913,847 | S * | 3/2021 | Hashimoto | D12/87 |
| 6,007,150 | A | 12/1999 | Clerkin et al. | 2002/0011745 | A1 | 1/2002 | Petersen | |
| 6,092,877 | A | 7/2000 | Rasidescu et al. | 2002/0147072 | A1 | 10/2002 | Goodell et al. | |
| 6,102,466 | A | 8/2000 | Kanazawa et al. | 2002/0178968 | A1 | 12/2002 | Christensen | |
| 6,149,540 | A | 11/2000 | Johnson et al. | 2003/0001409 | A1 | 1/2003 | Semple et al. | |
| 6,182,590 | B1 | 2/2001 | Patera | 2004/0026150 | A1 | 2/2004 | Nishi et al. | |
| 6,196,634 | B1 | 3/2001 | Jurinek | 2004/0029459 | A1 | 2/2004 | Berthiaume et al. | |
| 6,199,894 | B1 | 3/2001 | Anderson | 2004/0031640 | A1 | 2/2004 | Tweet | |
| 6,276,653 | B1 | 8/2001 | Traxler | 2004/0079561 | A1 | 4/2004 | Ozawa et al. | |
| 6,354,556 | B1 | 3/2002 | Ritchie et al. | 2004/0108159 | A1 | 6/2004 | Rondeau et al. | |
| 6,460,818 | B1 | 10/2002 | Garelick et al. | 2004/0173653 | A1 | 9/2004 | Audet | |
| 6,467,787 | B1 | 10/2002 | Marsh | 2004/0195797 | A1 | 10/2004 | Nash et al. | |
| 6,530,730 | B2 | 3/2003 | Swensen | 2004/0239088 | A1 | 12/2004 | Rondeau et al. | |
| 6,622,968 | B1 | 9/2003 | St et al. | 2005/0121953 | A1 | 6/2005 | Sprouse, II | |
| 6,648,569 | B2 | 11/2003 | Douglass et al. | 2005/0168018 | A1 | 8/2005 | Cox | |
| 6,695,566 | B2 | 2/2004 | Rodriguez Navio | 2005/0173177 | A1 | 8/2005 | Smith et al. | |
| 6,725,962 | B1 | 4/2004 | Fukuda | 2005/0173180 | A1 | 8/2005 | Hypes et al. | |
| 6,732,830 | B2 | 5/2004 | Gagnon et al. | 2005/0247506 | A1 | 11/2005 | Rondeau et al. | |
| 6,752,235 | B1 | 6/2004 | Bell et al. | 2005/0248116 | A1 | 11/2005 | Fanson | |
| 6,767,040 | B1 | 7/2004 | Freijy | 2005/0275268 | A1 | 12/2005 | Oomori | |
| 6,773,049 | B2 | 8/2004 | Rupiper et al. | 2006/0066122 | A1 | 3/2006 | Wiseman | |
| 6,786,526 | B1 | 9/2004 | Blalock | 2006/0097692 | A1 | 5/2006 | Chen et al. | |
| 6,799,779 | B2 | 10/2004 | Shibayama | 2006/0113139 | A1 | 6/2006 | Nishi et al. | |
| 6,799,781 | B2 | 10/2004 | Rasidescu et al. | 2006/0186699 | A1 | 8/2006 | Davis et al. | |
| 6,880,483 | B2 | 4/2005 | Fedders | 2007/0034435 | A1 | 2/2007 | Berg et al. | |
| 6,916,142 | B2 | 7/2005 | Hansen et al. | 2007/0262604 | A1 | 11/2007 | Takei et al. | |
| 6,923,507 | B1 | 8/2005 | Billberg et al. | 2007/0278026 | A1 | 12/2007 | Davis et al. | |
| RE38,895 | E | 11/2005 | McLemore | 2008/0023240 | A1 | 1/2008 | Sunsdahl et al. | |
| 6,968,917 | B2 | 11/2005 | Rondeau et al. | 2008/0023249 | A1 | 1/2008 | Sunsdahl et al. | |
| 6,971,714 | B1 | 12/2005 | Hanagan | 2008/0217088 | A1 | 9/2008 | Berg | |
| 6,976,720 | B1 | 12/2005 | Bequette | 2009/0195035 | A1 | 8/2009 | Ripley et al. | |
| 6,978,857 | B2 | 12/2005 | Korenjak | 2009/0236820 | A1 | 9/2009 | Chang et al. | |
| | | | | 2010/0019524 | A1 | 1/2010 | Utke et al. | |
| | | | | 2010/0084212 | A1 * | 4/2010 | Smith | B60N 2/38 180/311 |
| | | | | 2011/0094813 | A1 | 4/2011 | Suzuki et al. | |

(56)

References Cited

U.S. PATENT DOCUMENTS

| | | | | |
|--------------|-----|---------|----------------|------------|
| 2011/0094816 | A1 | 4/2011 | Suzuki et al. | |
| 2012/0031694 | A1 | 2/2012 | Deckard et al. | |
| 2014/0102820 | A1 | 4/2014 | Deckard et al. | |
| 2014/0262584 | A1 | 9/2014 | Lovold et al. | |
| 2015/0047917 | A1 | 2/2015 | Burt et al. | |
| 2016/0332536 | A1* | 11/2016 | Weber | B60G 11/48 |
| 2020/0010120 | A1 | 1/2020 | Kinsman et al. | |
| 2020/0171942 | A1* | 6/2020 | Evans | F02D 11/04 |
| 2021/0188184 | A1 | 6/2021 | Kelso et al. | |

FOREIGN PATENT DOCUMENTS

| | | | |
|----|----------------|----|---------|
| CN | 102015419 | A | 4/2011 |
| CN | 109415102 | A | 3/2019 |
| CN | 202030445882.9 | * | 3/2021 |
| DE | 0116605 | C | 2/1900 |
| DE | 1755101 | A1 | 4/1971 |
| DE | 3033707 | A1 | 4/1982 |
| DE | 4136296 | A1 | 5/1993 |
| DE | 19531985 | A1 | 3/1997 |
| DE | 102005013610 | A1 | 9/2006 |
| EP | 0238077 | A2 | 9/1987 |
| EP | 0709247 | A2 | 5/1996 |
| EP | 0794096 | A2 | 9/1997 |
| EP | 1215107 | A1 | 6/2002 |
| EP | 1296036 | A2 | 3/2003 |
| EP | 1557345 | A2 | 7/2005 |
| EP | 1564123 | A2 | 8/2005 |
| GB | 0159650 | A | 3/1921 |
| GB | 1501631 | A | 2/1978 |
| JP | 06-105727 | B2 | 12/1994 |
| JP | 11-334447 | A | 12/1999 |
| JP | 2000-177434 | A | 6/2000 |
| JP | 2004-308453 | A | 11/2004 |
| WO | 03/53769 | A1 | 7/2003 |
| WO | 2008/100398 | A2 | 8/2008 |
| WO | 2008/115459 | A1 | 9/2008 |

OTHER PUBLICATIONS

“Sportsman 850” Polaris., posted date Jun. 29, 2017 [online], [retrieved on Jul. 13, 2021]. Retrieved from the Internet <URL: <https://atv.polaris.com/en-us/sportsman-850/>> (Year: 2017).*

“2019 Polaris Sportsman 850” Polaris., posted date Jul. 23, 2019 [online], [retrieved on Jul. 13, 2021]. Retrieved from the Internet <URL: <http://atvillustrated.com/content/2019-polaris-sportsman-850-sp-premium-review>> (Year: 2019).*

International Preliminary Report on Patentability issued by the European Patent Office, dated Mar. 15, 2011, for International Patent Application No. PCT/US2009/059535; 6 pages.

International Preliminary Report on Patentability issued by the European Patent Office, dated May 11, 2009, for International Patent Application No. PCT/US2008/003483; 20 pages.

International Preliminary Report on Patentability issued by the European Patent Office, dated Jan. 27, 2011, for International Patent Application No. PCT/US2009/049799; 13 pages.

International Search Report and Written Opinion issued by the European Patent Office, dated Aug. 27, 2008, for International Patent Application No. PCT/US2008/003485; 11 pages.

International Search Report and Written Opinion issued by the European Patent Office, dated Jan. 6, 2010, for International Patent Application No. PCT/US2009/059535; 10 pages.

International Search Report and Written Opinion issued by the European Patent Office, dated Oct. 2, 2008; for International Patent Application No. PCT/US2008/003483; 15 pages.

International Search Report and Written Opinion issued by the European Patent Office, dated Sep. 1, 2008, for International Patent Application No. PCT/US2008/003480; 17 pages.

International Search Report and Written Opinion issued by the International Searching Authority, dated Sep. 19, 2016, for International Patent Application No. PCT/US2016/031992; 20 pages.

International Search Report issued by the European Patent Office, dated Feb. 24, 2010, for International Patent Application No. PCT/US2009/049799; 6 pages.

The Council of the European Communities, “Council Directive on the approximation of the laws of the Member States relating to the driver’s seat on wheeled agricultural or forestry tractors (78/764/EEC) (OJL 255, 18.9, 1978)”, Jul. 25, 1978, 69 pages, available at <http://eurlex.europa.eu/LexUriServ/LexUriServ.do?uri=CONSLEG:1978L0764:20070101:EN.pdf>.

Written Opinion issued by the International Searching Authority, dated Feb. 24, 2010, for International Patent Application No. PCT/US2009/049799; 7 pages.

* cited by examiner

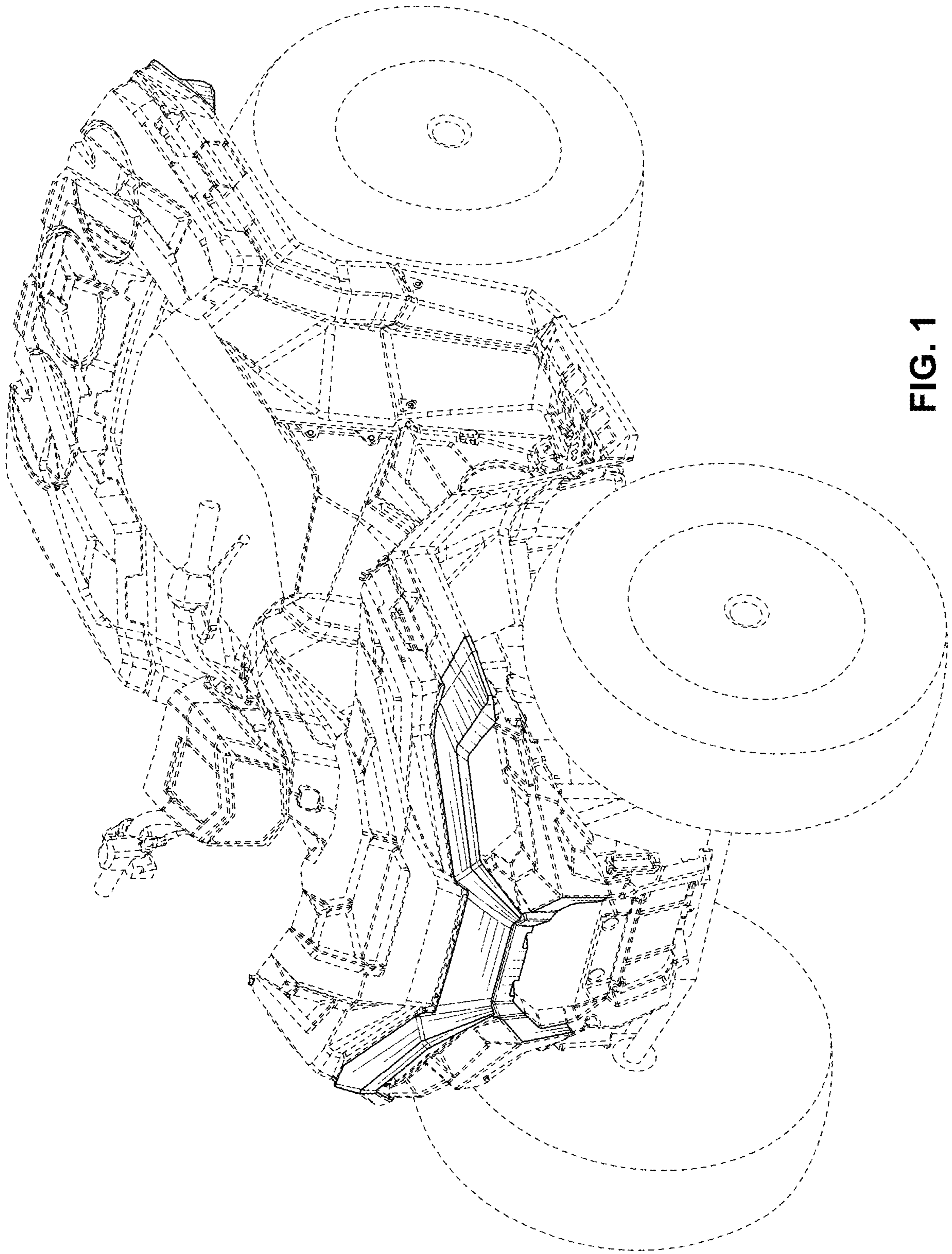


FIG. 1

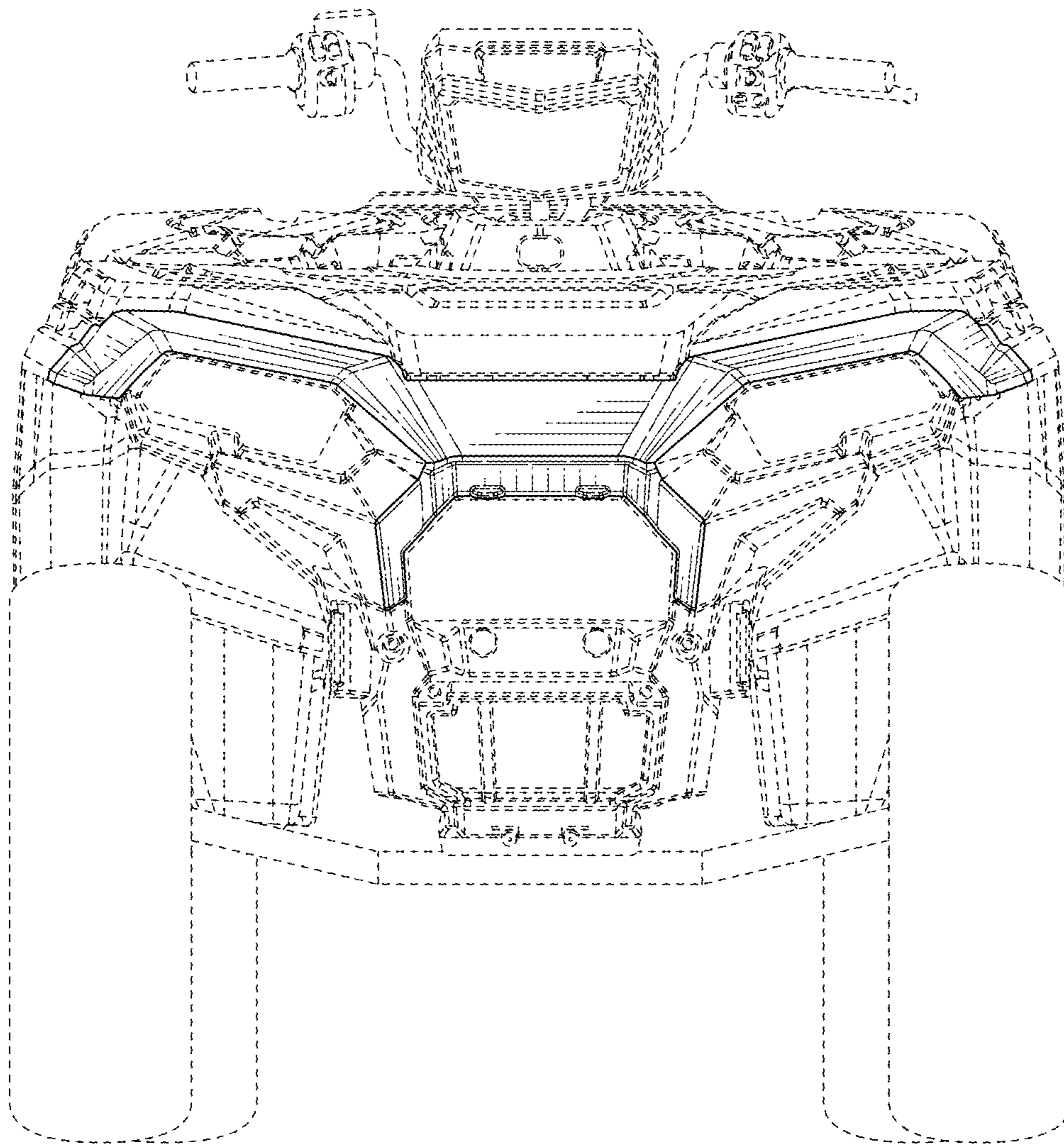


FIG. 2

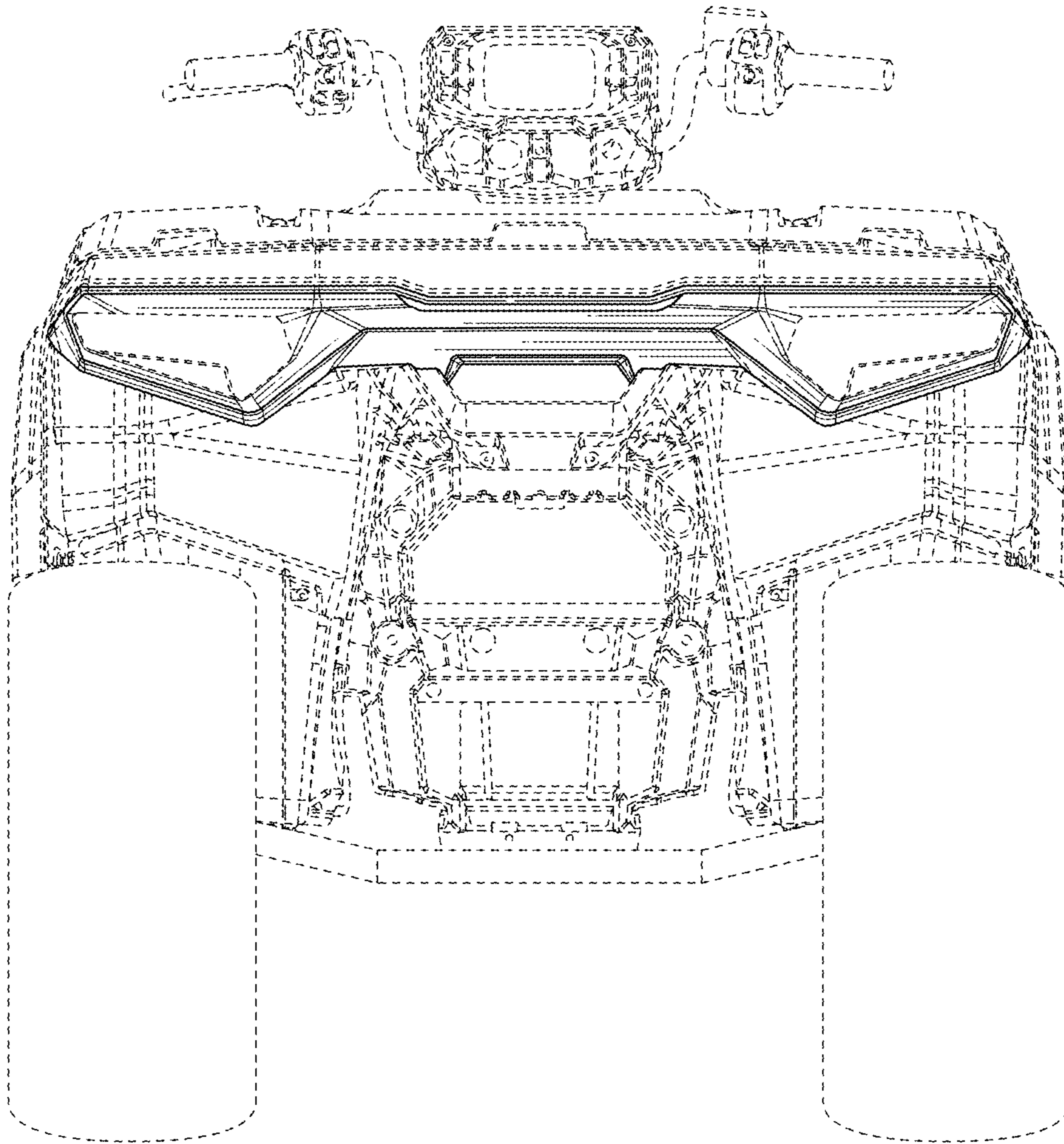


FIG. 3

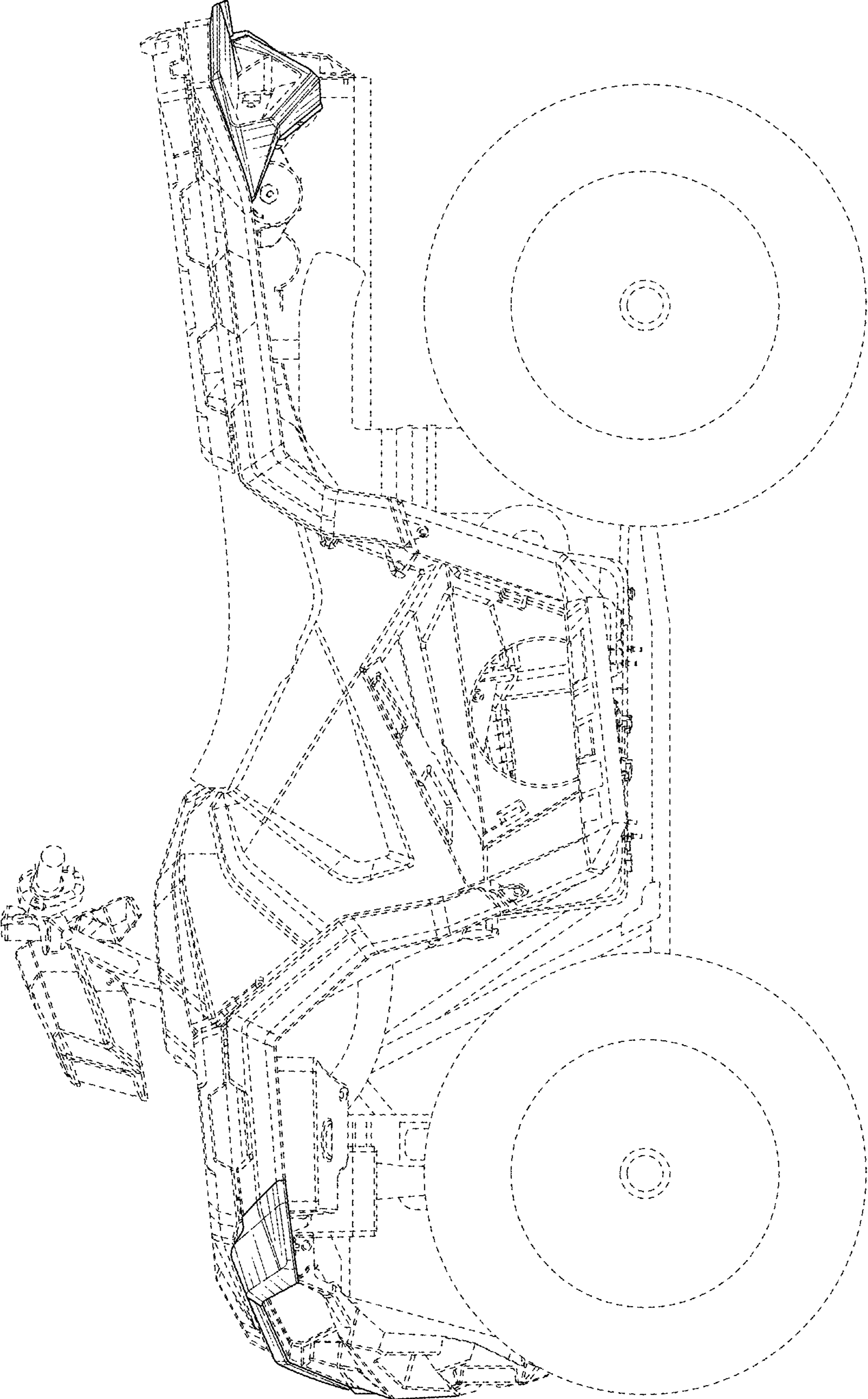


FIG. 4

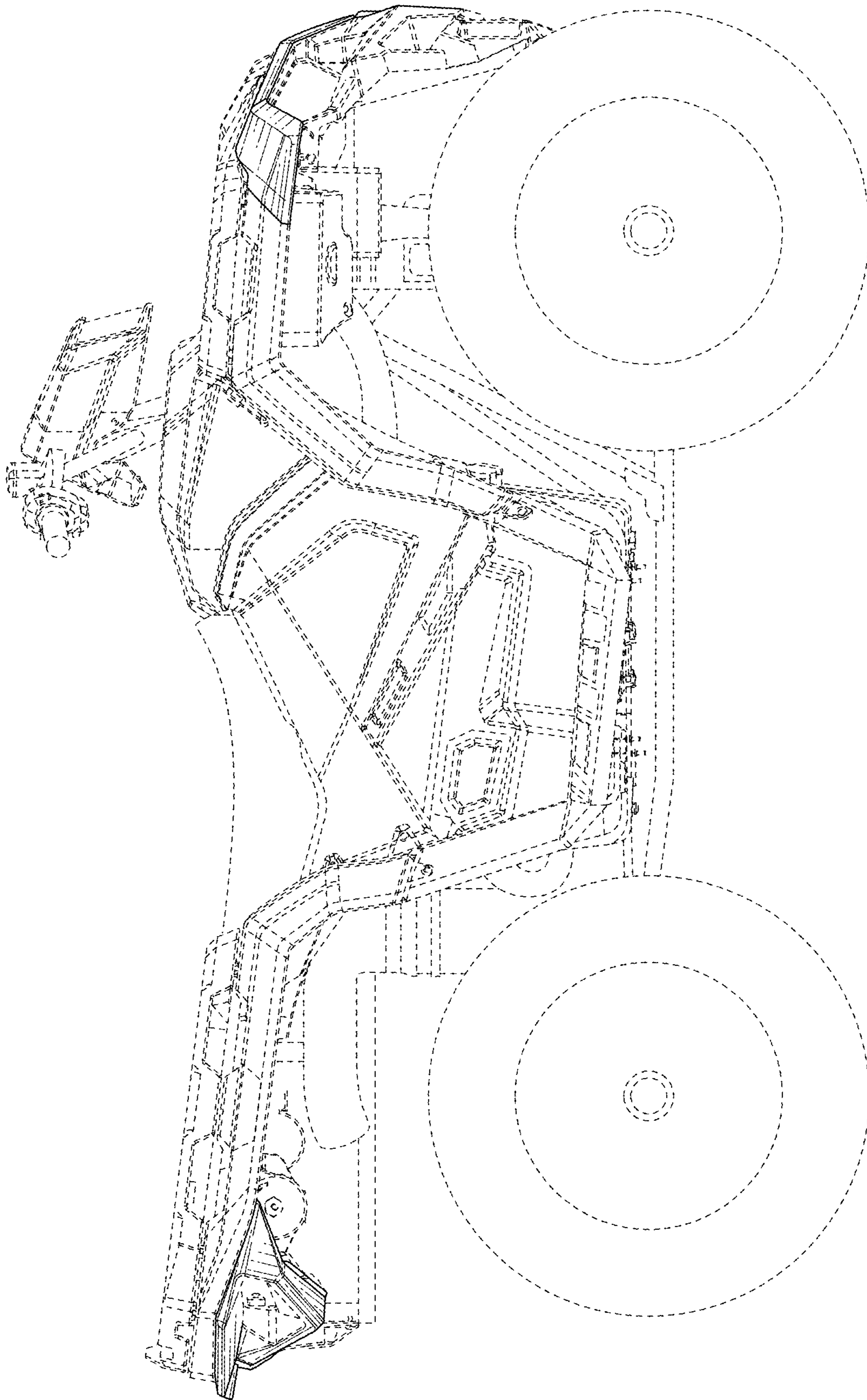


FIG. 5

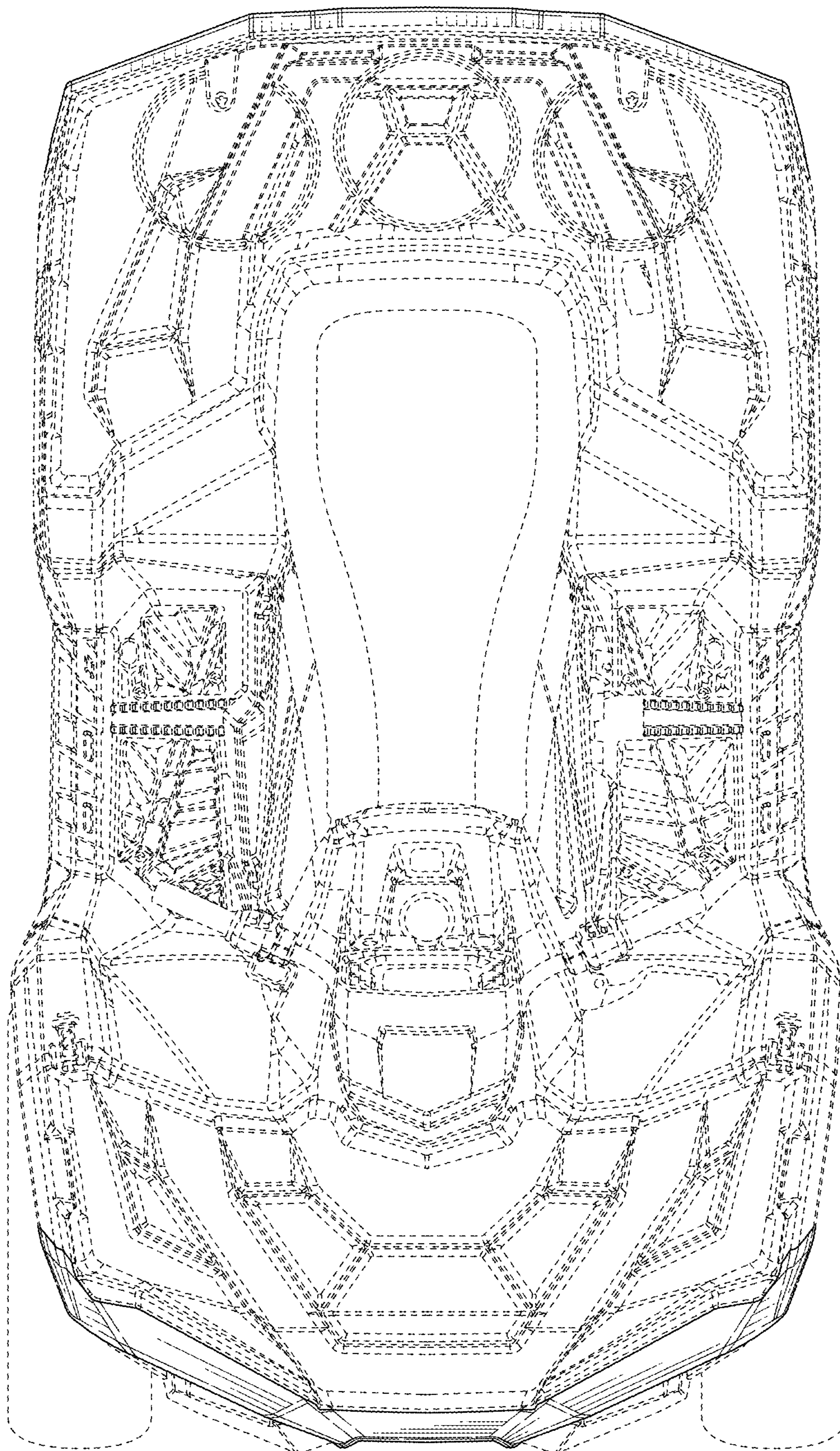


FIG. 6