



US00D958005S

(12) **United States Design Patent**  
**Cassard**

(10) **Patent No.:** **US D958,005 S**

(45) **Date of Patent:** **\*\* Jul. 19, 2022**

- (54) **TRUCK CABIN**
- (71) Applicant: **ARQUUS**, Versailles (FR)
- (72) Inventor: **Laurent Cassard**, Versailles (FR)
- (73) Assignee: **ARQUUS**, Versailles (FR)
- (\*\*) Term: **15 Years**
- (21) Appl. No.: **35/510,931**
- (22) Filed: **Oct. 6, 2020**
- (80) **Hague Agreement Data**  
 Int. Filing Date: **Oct. 6, 2020**  
 Int. Reg. No.: **DM/211562**  
 Int. Reg. Date: **Oct. 6, 2020**  
 Int. Reg. Pub. Date: **Dec. 11, 2020**

- 4,126,350 A \* 11/1978 Briers ..... B62D 33/06  
296/190.08
- D286,031 S \* 10/1986 Breitschwerdt ..... D12/96
- 4,813,736 A \* 3/1989 Schubert ..... B62D 65/04  
180/89.18
- 4,964,671 A \* 10/1990 Millar ..... B60P 3/0252  
296/64
- 5,282,661 A \* 2/1994 Arnberger ..... B62D 31/006  
296/190.04
- D367,443 S \* 2/1996 Sacco ..... D12/96
- D389,437 S \* 1/1998 Olausson ..... D12/96
- D403,620 S \* 1/1999 Abalos ..... D12/96
- D408,331 S \* 4/1999 Sacco ..... D12/96
- D411,142 S \* 6/1999 Sacco ..... D12/96
- D411,816 S \* 7/1999 Reynard ..... D12/96
- D412,301 S \* 7/1999 Dirks ..... D12/96
- D412,463 S \* 8/1999 Sacco ..... D12/96
- D412,683 S \* 8/1999 Sacco ..... D12/96
- D416,829 S \* 11/1999 Sacco ..... D12/96
- D557,648 S \* 12/2007 Rice, Jr. .... D12/195
- D570,739 S \* 6/2008 Emoto ..... D12/96
- D570,740 S \* 6/2008 Emoto ..... D12/96
- D570,741 S \* 6/2008 Emoto ..... D12/96
- D571,259 S \* 6/2008 Emoto ..... D12/96

(Continued)

(30) **Foreign Application Priority Data**

Jun. 8, 2020 (EM) ..... 007990221

- (51) **LOC (13) Cl.** ..... **12-08**
- (52) **U.S. Cl.**  
USPC ..... **D12/96; D12/84; D12/195**
- (58) **Field of Classification Search**  
USPC ..... **D12/82, 84, 86, 92, 96, 100, 195**  
CPC ..... **B62D 23/00; B62D 25/00; B62D 31/02;**  
**B62D 31/04; B62D 53/062; B62D 65/00;**  
**B60G 2202/152; B60G 2300/14; B60P**  
**3/007; B21D 53/88**  
See application file for complete search history.

(56) **References Cited**

**U.S. PATENT DOCUMENTS**

- 3,378,278 A \* 4/1968 Letzel ..... B60R 3/00  
296/190.08
- 3,667,565 A \* 6/1972 Steiner ..... B62D 33/0604  
296/190.07

*Primary Examiner* — Darlington Ly

(74) *Attorney, Agent, or Firm* — Thompson Coburn LLP;  
Steven M. Ritchey

(57) **CLAIM**

The ornamental design for a truck cabin, as shown and described.

**DESCRIPTION**

- 1. Truck cabin
- 1.1 is a front and left side perspective view of a truck cabin embodying my new design;
- 1.2 is a rear and right side perspective view thereof;
- 1.3 is a front elevation view thereof;
- 1.4 is a rear elevation view thereof;
- 1.5 is a top plan view thereof;
- 1.6 is a left side elevation view thereof; and
- 1.7 is a right side elevation view thereof.

**1 Claim, 7 Drawing Sheets**



(56)

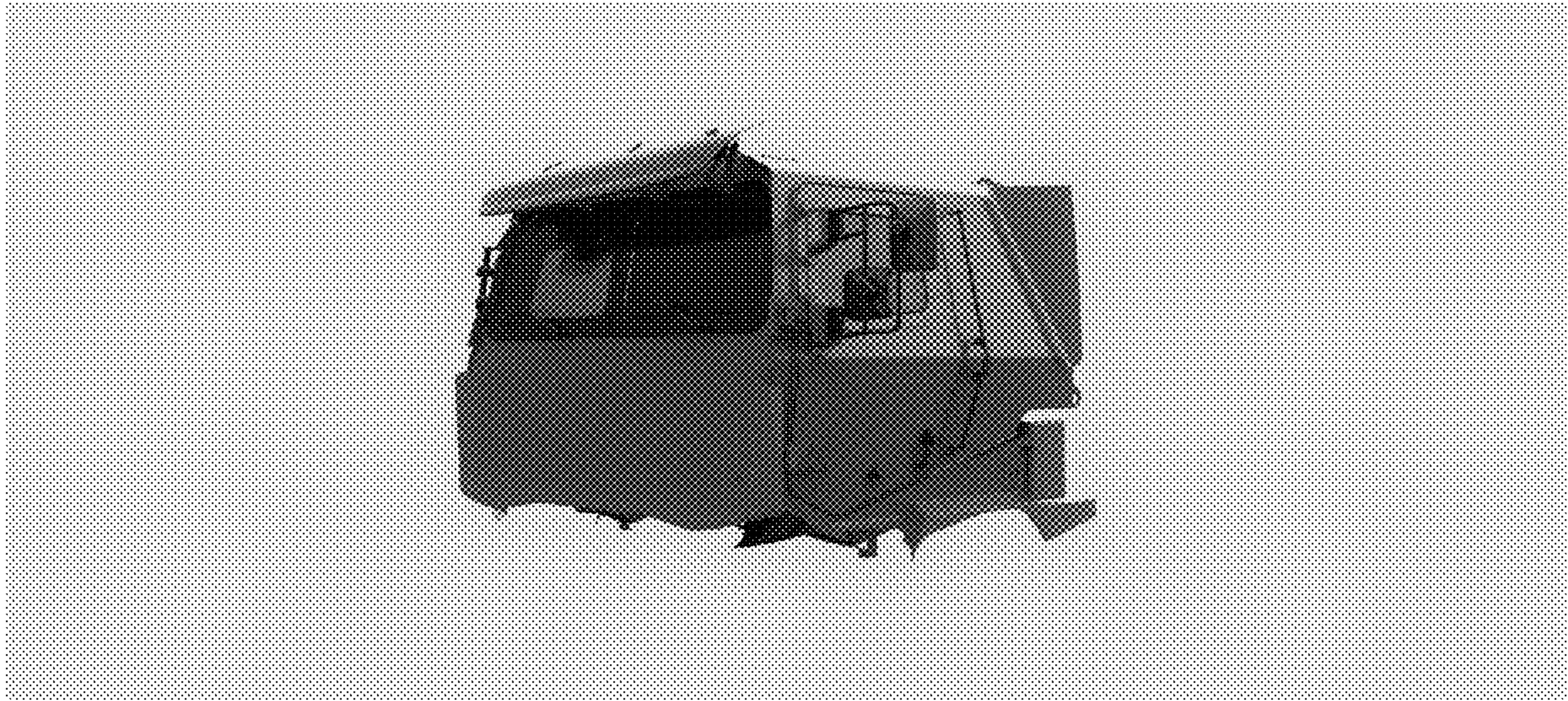
**References Cited**

U.S. PATENT DOCUMENTS

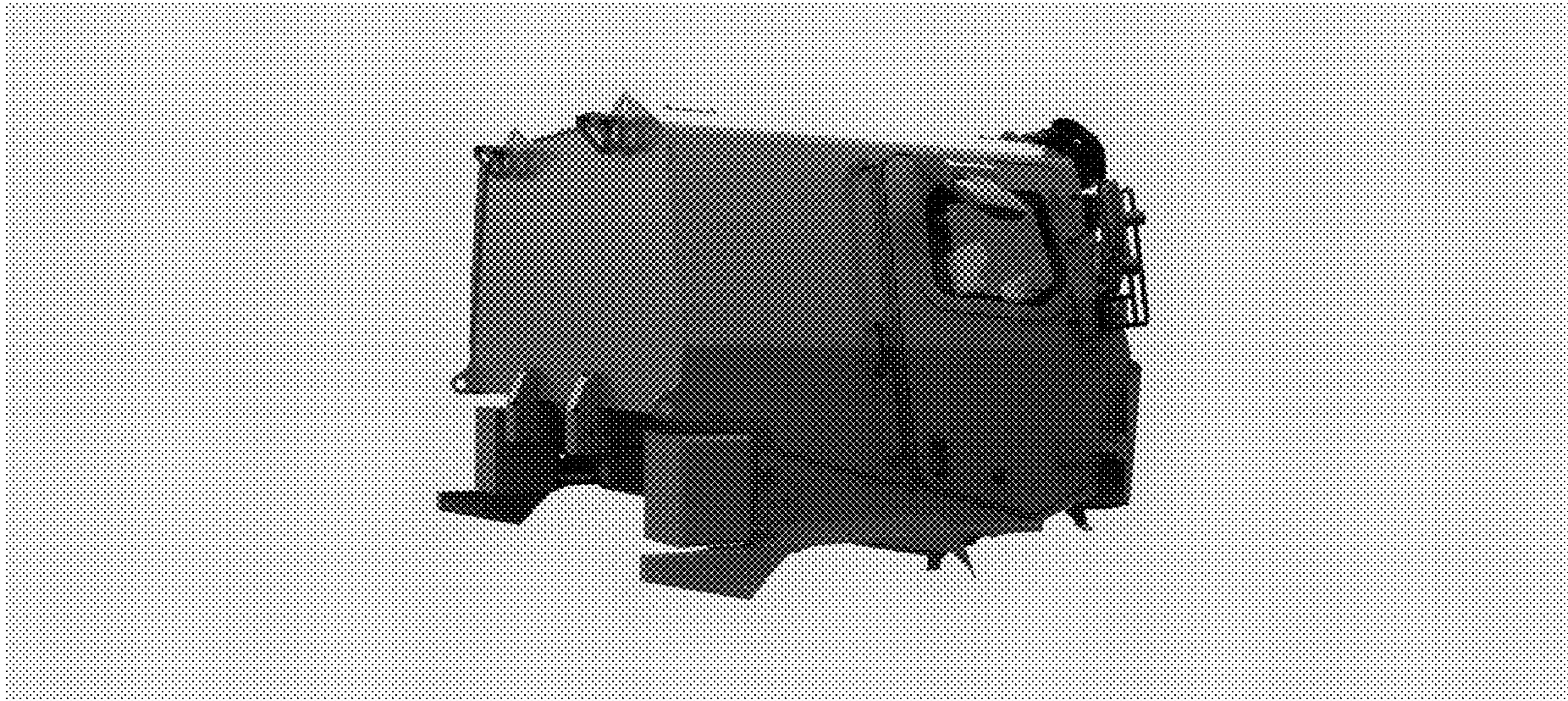
7,419,214 B2 \* 9/2008 Plant ..... B64D 11/0643  
244/118.6  
D628,133 S \* 11/2010 Counts ..... D12/195  
8,284,327 B2 \* 10/2012 Counts ..... B60N 2/01  
348/739  
D818,921 S \* 5/2018 Pelletier ..... D12/195  
10,059,383 B2 \* 8/2018 Pelletier ..... A61G 3/061  
10,071,320 B2 \* 9/2018 Levine ..... A63H 17/002  
D830,712 S \* 10/2018 Goode ..... D6/338  
10,124,895 B2 \* 11/2018 Simeon ..... B64D 11/0015  
D842,785 S \* 3/2019 Balicki ..... D12/195  
D849,625 S \* 5/2019 Yamamoto ..... D12/195  
D878,245 S \* 3/2020 Lamanna ..... D12/84  
D883,857 S \* 5/2020 Lamanna ..... D12/84

\* cited by examiner

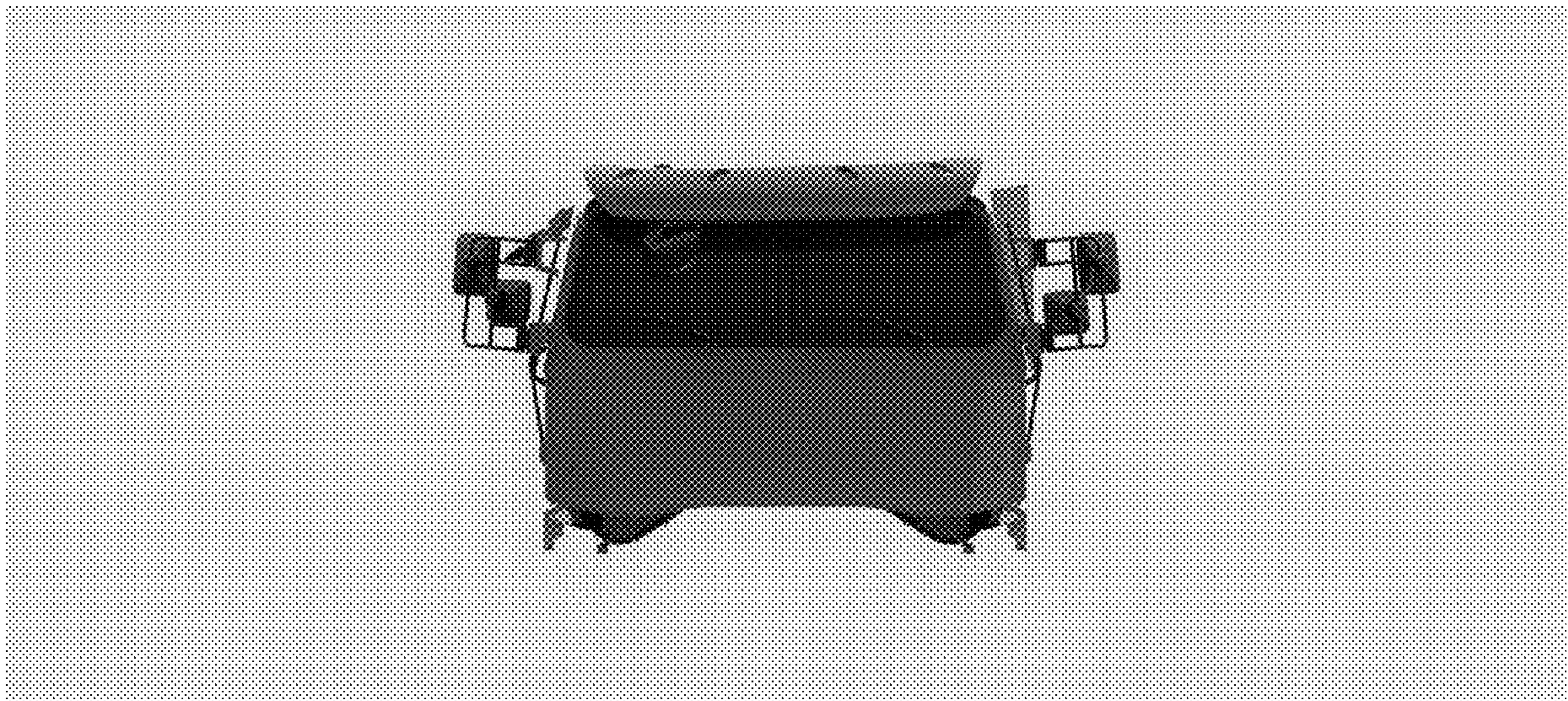
1.1



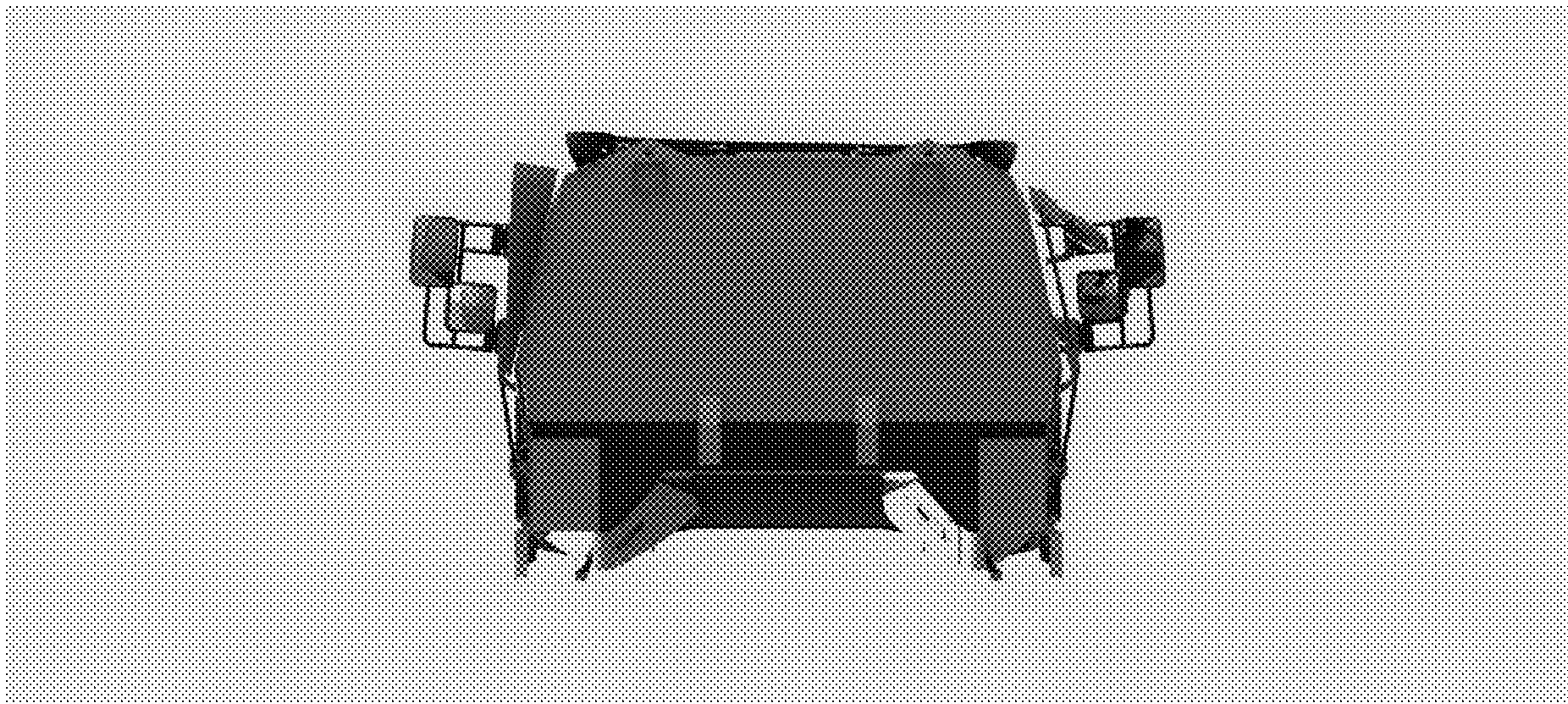
1.2



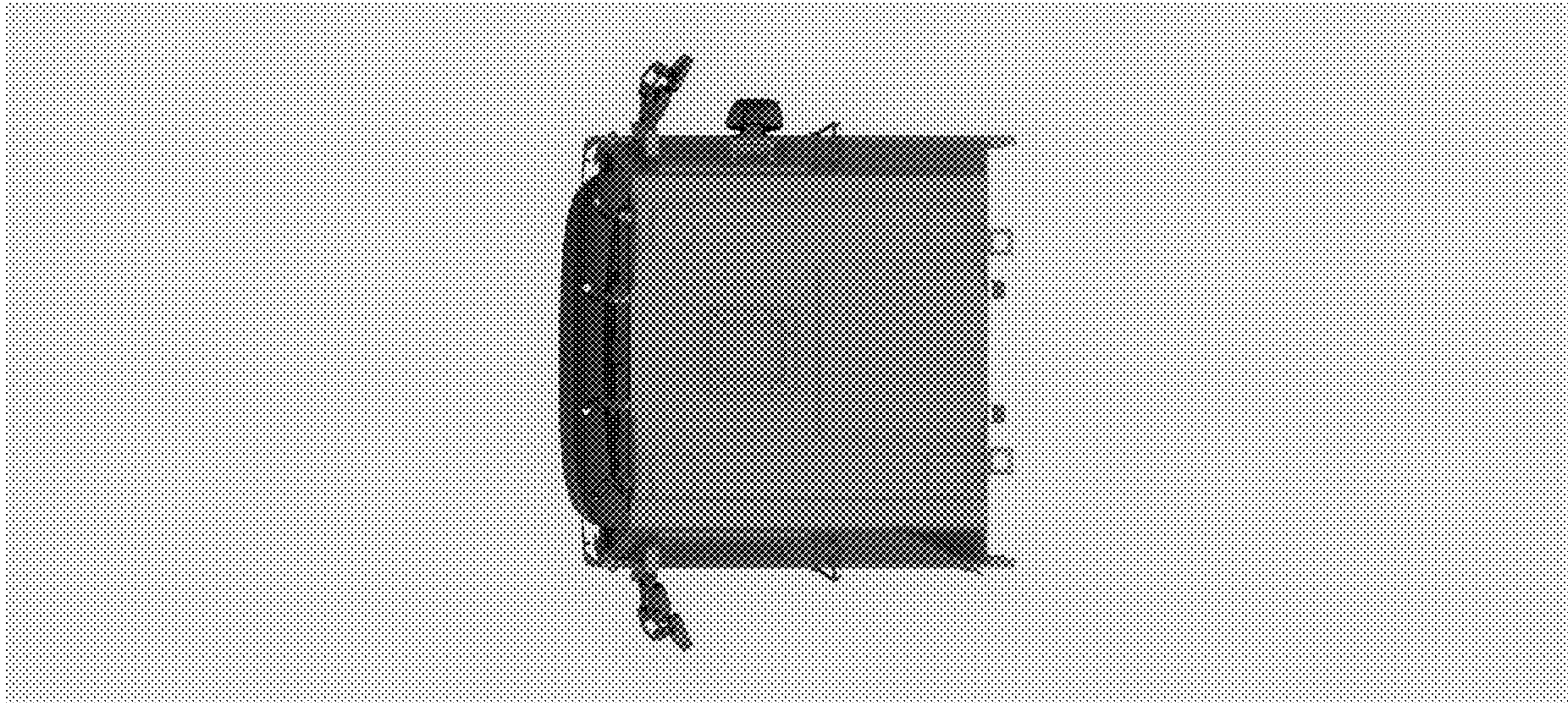
1.3



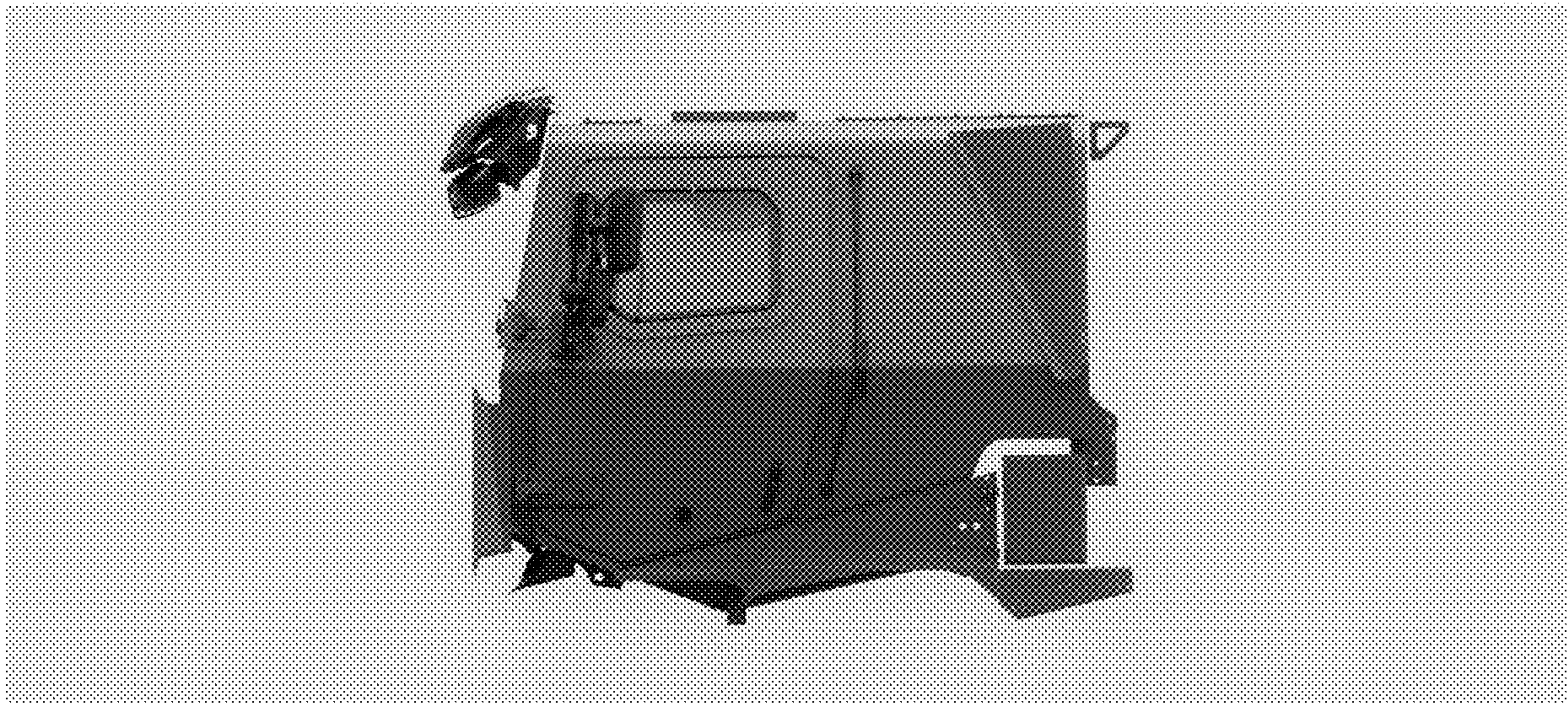
1.4



1.5



1.6





1.7

