



US00D958000S

(12) **United States Design Patent**  
**Patel**

(10) **Patent No.:** **US D958,000 S**

(45) **Date of Patent:** **\*\* Jul. 19, 2022**

(54) **VEHICLE, TOY REPLICA, AND/OR OTHER REPLICA**

(71) Applicant: **JAGUAR LAND ROVER LIMITED**,  
Coventry (GB)

(72) Inventor: **Paven Patel**, Coventry (GB)

(73) Assignee: **JAGUAR LAND ROVER LIMITED**,  
Coventry (GB)

(\*\*) Term: **15 Years**

(21) Appl. No.: **29/762,806**

(22) Filed: **Dec. 18, 2020**

(30) **Foreign Application Priority Data**

Jun. 29, 2020 (EM) ..... 008026397-0002

(51) **LOC (13) Cl.** ..... **12-08**

(52) **U.S. Cl.**  
USPC ..... **D12/91**

(58) **Field of Classification Search**  
USPC .... D12/86, 90-92, 164; D21/424, 433, 434;  
296/181.1-181.5, 183.1  
CPC ..... B62D 25/00; B62D 25/06; B62D 33/00;  
B62D 35/00  
See application file for complete search history.

(56) **References Cited**

**U.S. PATENT DOCUMENTS**

D698,697 S \* 2/2014 Winkelmann ..... D12/91  
D719,878 S \* 12/2014 Webber ..... D12/92  
D725,007 S \* 3/2015 Beaven ..... D12/164  
D731,922 S \* 6/2015 Beaven ..... D12/91  
D739,305 S \* 9/2015 Gunnarson ..... D12/91  
D749,996 S \* 2/2016 Henstridge ..... D12/164  
D783,468 S \* 4/2017 Patel ..... D12/164

D783,469 S \* 4/2017 Patel ..... D12/164  
D783,470 S \* 4/2017 Peat ..... D12/164  
D784,856 S \* 4/2017 Hatton ..... D12/91  
D807,245 S \* 1/2018 Patel ..... D12/164  
D807,246 S \* 1/2018 Peat ..... D12/164  
D807,788 S \* 1/2018 Hatton ..... D12/91  
D811,955 S \* 3/2018 Patel ..... D12/164  
D813,100 S \* 3/2018 Hatton ..... D12/92  
D832,144 S \* 10/2018 Hatton ..... D12/91  
D840,268 S \* 2/2019 Beaven ..... D12/91  
D859,212 S \* 9/2019 Beckies ..... D12/91  
D867,931 S \* 11/2019 Peat ..... D12/92  
D881,070 S \* 4/2020 Smith ..... D12/91  
D906,882 S \* 1/2021 Beckies ..... A01M 29/08  
D12/91  
D910,488 S \* 2/2021 Beckies ..... D12/91  
D914,543 S \* 3/2021 Badstuebner ..... D12/91  
D923,515 S \* 6/2021 Patel ..... D12/91  
D928,657 S \* 8/2021 Smith ..... D12/91

\* cited by examiner

*Primary Examiner* — Melody N Brown

(74) *Attorney, Agent, or Firm* — Reising Ethington P.C.

(57) **CLAIM**

The ornamental design for a vehicle, toy replica, and/or other replica, as shown and described.

**DESCRIPTION**

FIG. 1 is a front and right side perspective view of a vehicle, toy replica, and/or other replica showing our new design; FIG. 2 is a rear and left side perspective view thereof; FIG. 3 is a left side elevation view thereof; FIG. 4 is a right side elevation view thereof; FIG. 5 is a front view thereof; FIG. 6 is a rear view thereof; FIG. 7 is a top plan view thereof; and, FIG. 8 is a bottom plan view thereof.

**1 Claim, 8 Drawing Sheets**



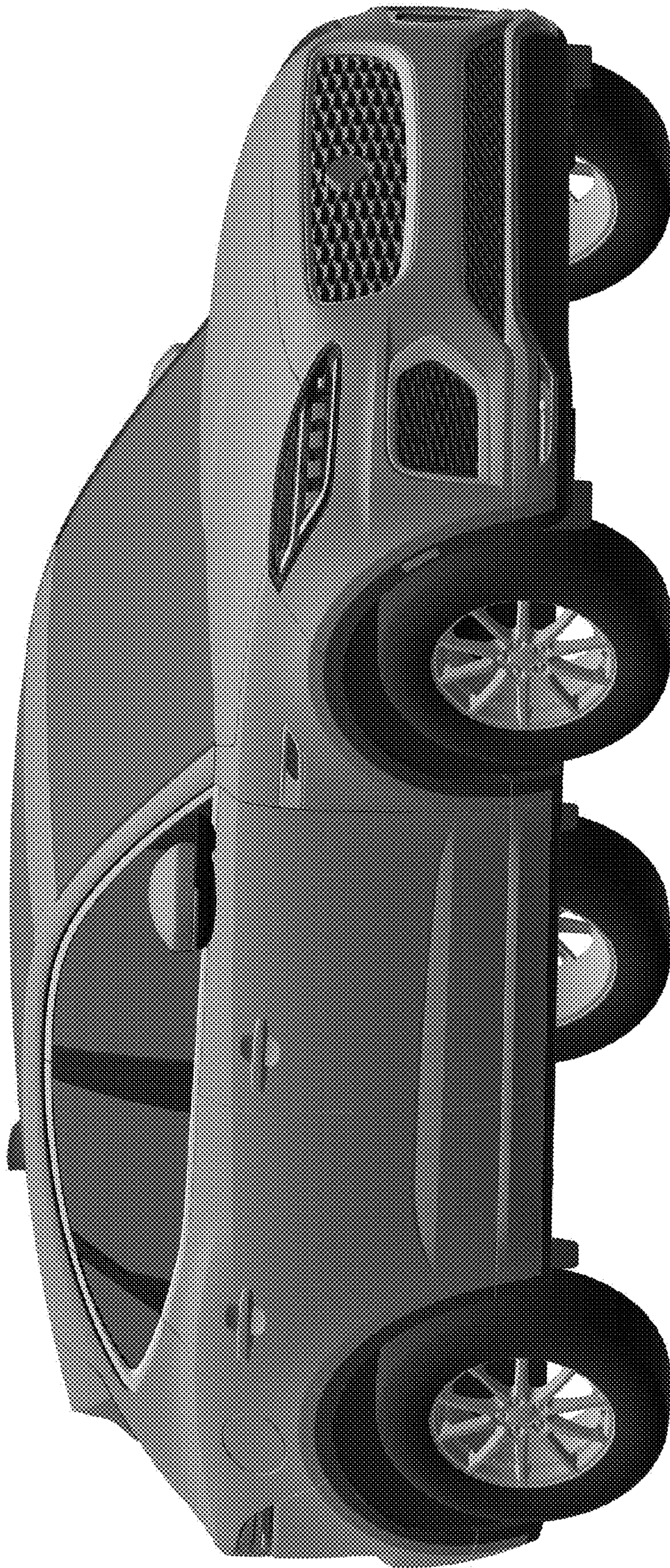


FIG. 1

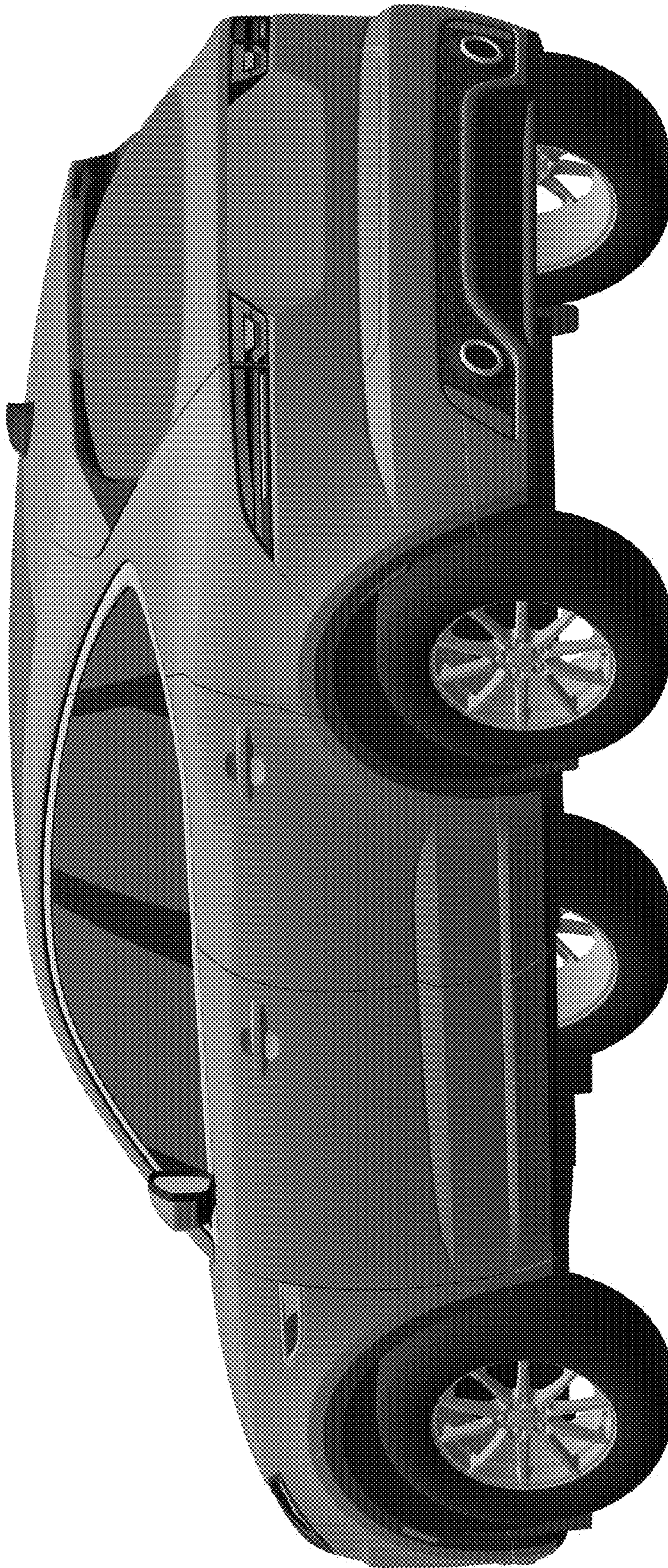


FIG. 2

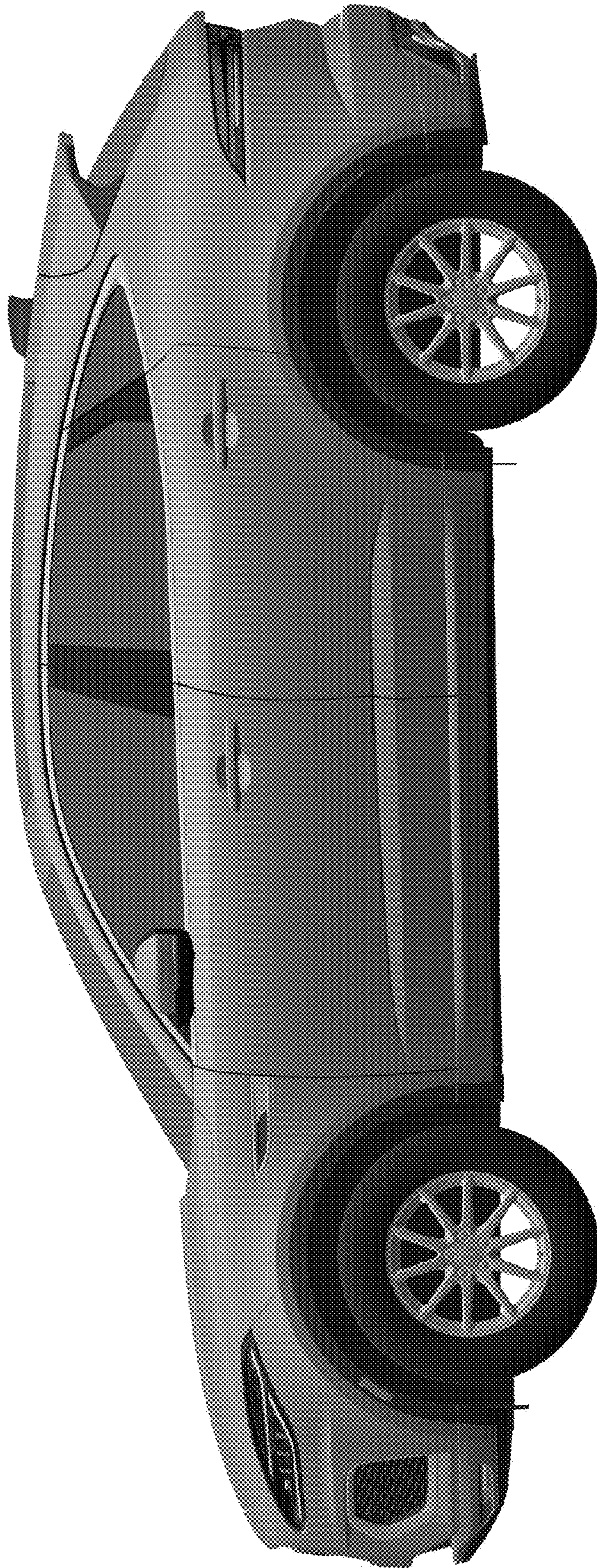


FIG. 3

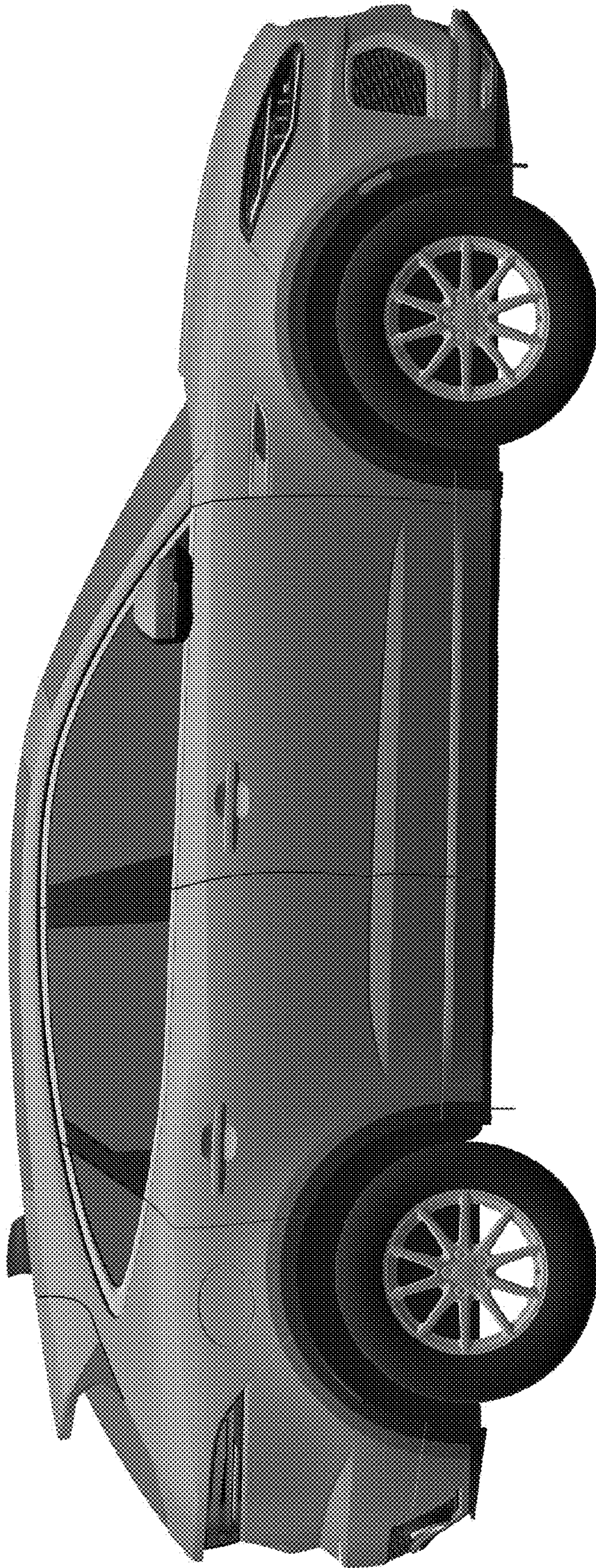


FIG. 4



FIG. 5



FIG. 6

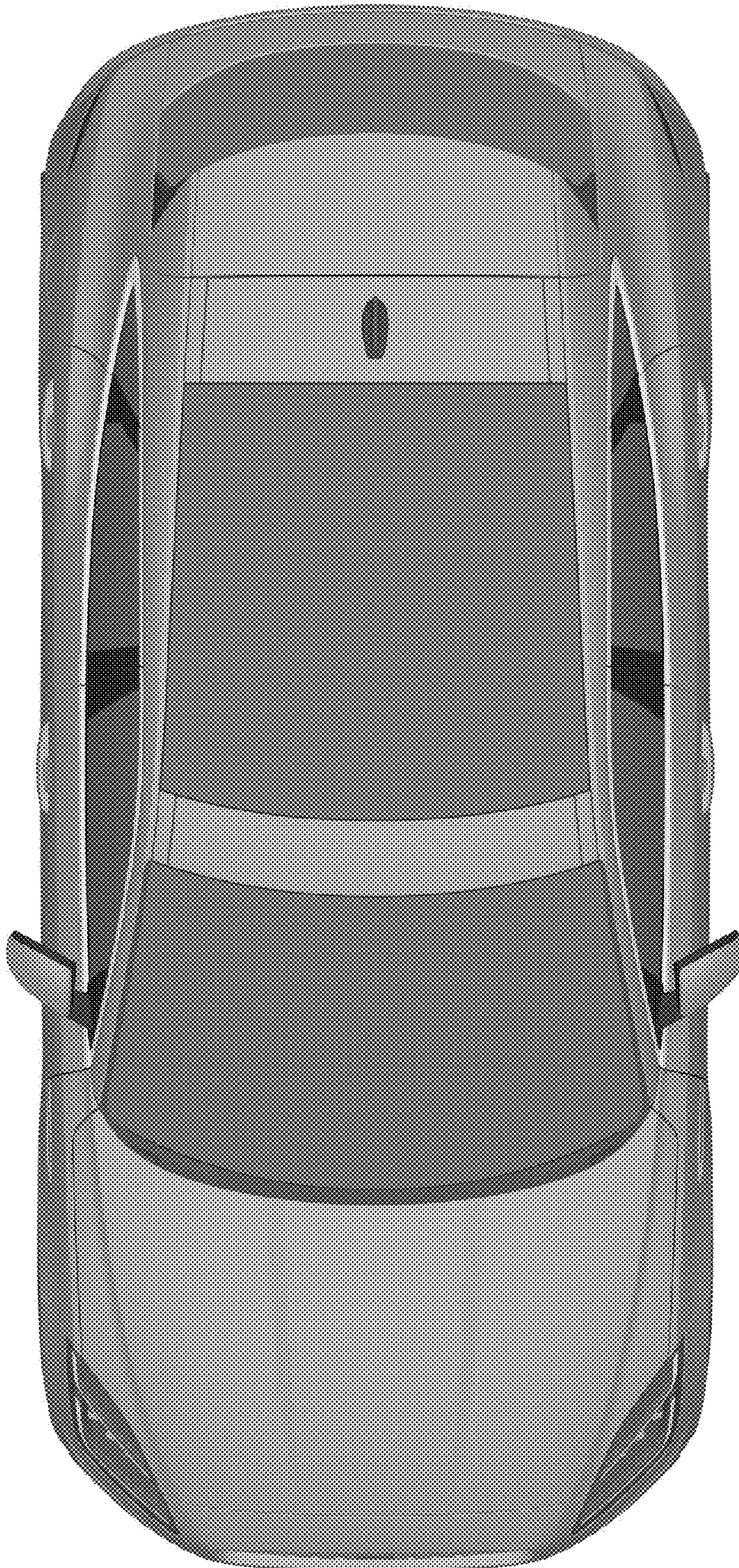


FIG. 7





FIG. 8