



US00D957994S

(12) **United States Design Patent** (10) **Patent No.:** **US D957,994 S**
Arroba et al. (45) **Date of Patent:** **** Jul. 19, 2022**

(54) **AUTOMOBILE AND/OR TOY REPLICA THEREOF**

(71) Applicant: **Nissan Motor Co., Ltd.**, Kanagawa (JP)

(72) Inventors: **Giovanny Arroba**, Tokyo (JP); **Kazunori Murabayashi**, Tokyo (JP)

(73) Assignee: **Nissan Motor Co., Ltd.**, Yokohama (JP)

(**) Term: **15 Years**

(21) Appl. No.: **29/747,719**

(22) Filed: **Aug. 25, 2020**

(30) **Foreign Application Priority Data**

Feb. 26, 2020 (JP) 2020-003633

(51) **LOC (13) Cl.** **12-08**

(52) **U.S. Cl.**
USPC **D12/91**

(58) **Field of Classification Search**
USPC D12/86, 90-92, 164; D21/433, 434, D21/531-535; 296/181.1-181.5, 183.1
CPC B62D 25/00; B62D 25/06; B62D 33/00; B62D 35/00
See application file for complete search history.

(56) **References Cited**

U.S. PATENT DOCUMENTS

D565,468 S *	4/2008	Abe	D12/92
D646,205 S *	10/2011	Bittner	D12/92
D668,182 S *	10/2012	Barba Franco	D12/92
D683,269 S *	5/2013	Fuchigami	D12/92
D684,900 S *	6/2013	Doyle	D12/92
D686,536 S *	7/2013	McCabe	D12/92
D695,645 S *	12/2013	Tase	D12/91
D699,630 S *	2/2014	Abe	D12/92

D710,761 S *	8/2014	Endo	D12/92
D718,662 S *	12/2014	Ishizuka	D12/92
D773,341 S *	12/2016	Liu	D12/92
D799,379 S *	10/2017	Komuro	D12/92
D805,957 S *	12/2017	Seo	D12/91
D838,627 S *	1/2019	Ino	D12/91
D871,970 S *	1/2020	Kusunoki	D12/92
D881,757 S *	4/2020	Tonello	D12/92
D896,128 S *	9/2020	Utsunomiya	D12/91

(Continued)

FOREIGN PATENT DOCUMENTS

JP	D1473486 S	6/2013
JP	D1479642 S	9/2013
JP	D1484947 S	11/2013

(Continued)

Primary Examiner — Melody N Brown

(74) *Attorney, Agent, or Firm* — Global IP Counselors, LLP

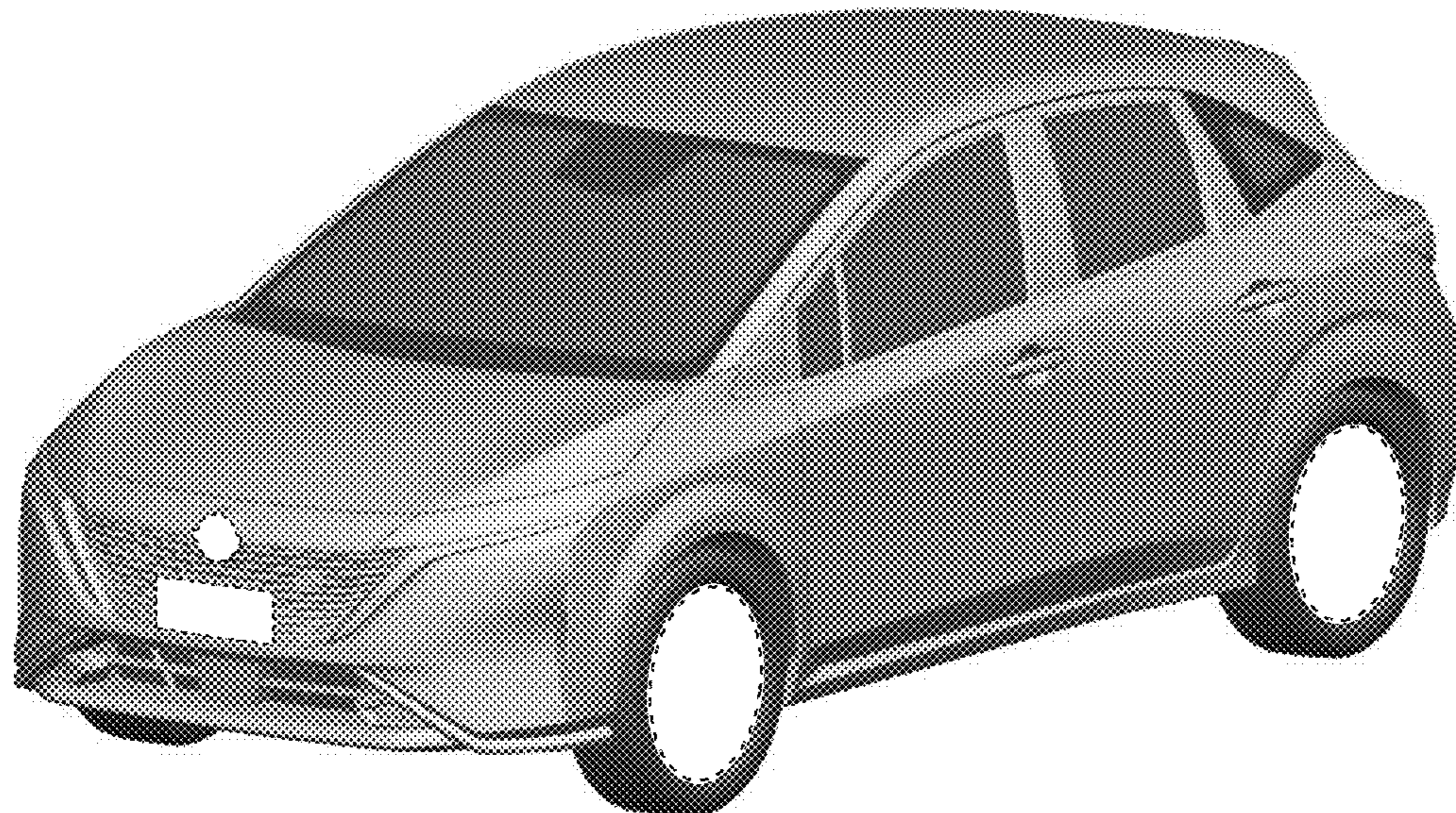
(57) **CLAIM**

The ornamental design for an automobile and/or toy replica thereof, as shown and described.

DESCRIPTION

FIG. 1 is a left, front perspective view of an automobile and/or toy replica thereof showing our new design; FIG. 2 is a right, rear perspective view thereof; FIG. 3 is a front elevational view thereof; FIG. 4 is a rear elevational view thereof. FIG. 5 is a top plan view thereof; FIG. 6 is a left side elevational view thereof; and, FIG. 7 is a right side elevational view thereof. The hidden surfaces from the bottom, obscured by a rear bumper, the wheels, and inside the wheel wells, but visible in the figures form no part of the claimed design. The broken line showing on the automobile and/or toy replica thereof is for the purpose of illustrating environmental structure and forms no part of the claimed design.

1 Claim, 7 Drawing Sheets



(56)

References Cited

U.S. PATENT DOCUMENTS

D906,179 S * 12/2020 Fuchigami D12/92
D913,855 S * 3/2021 Wakabayashi D12/92

FOREIGN PATENT DOCUMENTS

JP	D1517402 S	2/2016
JP	D1550788 S	6/2016
JP	D1572085 S	7/2017
JP	D1532133 S	8/2018
JP	D1605894 S	8/2018
JP	D1606687 S	9/2018
JP	D1535715 S	10/2018
JP	D1594003 S	12/2018
JP	D1573956 S	4/2019
JP	D1602203 S	4/2019
JP	D1636161 S	7/2019
JP	D1636532 S	7/2019
JP	D1642029 S	9/2019
JP	D1645861 S	11/2019
JP	D1648407 S	4/2020
JP	D1648757 S	4/2020
JP	D1648758 S	4/2020
JP	D1641397 S	4/2021
JP	D1641398 S	4/2021
JP	D1641400 S	6/2021

* cited by examiner

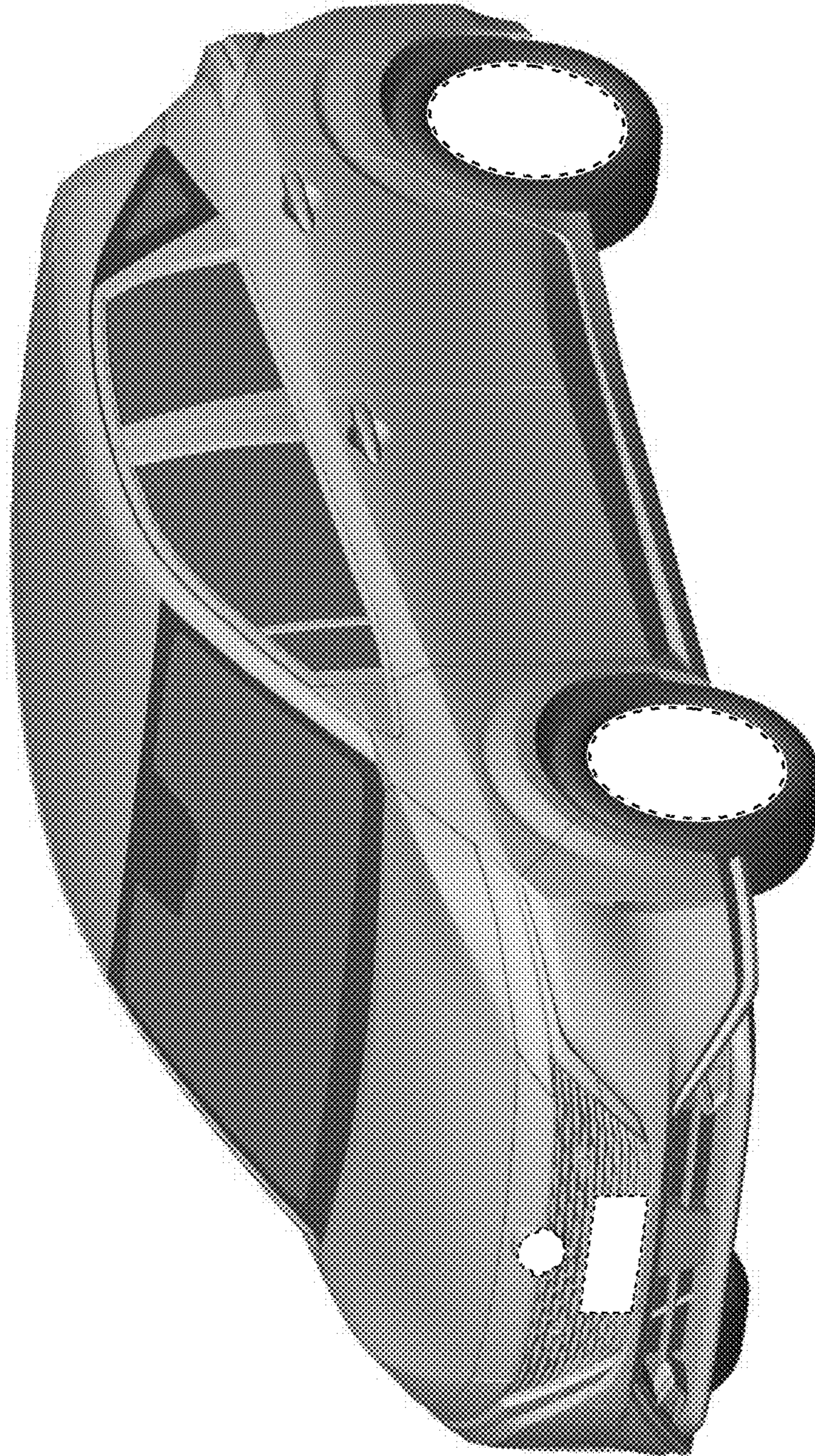


FIG. 1

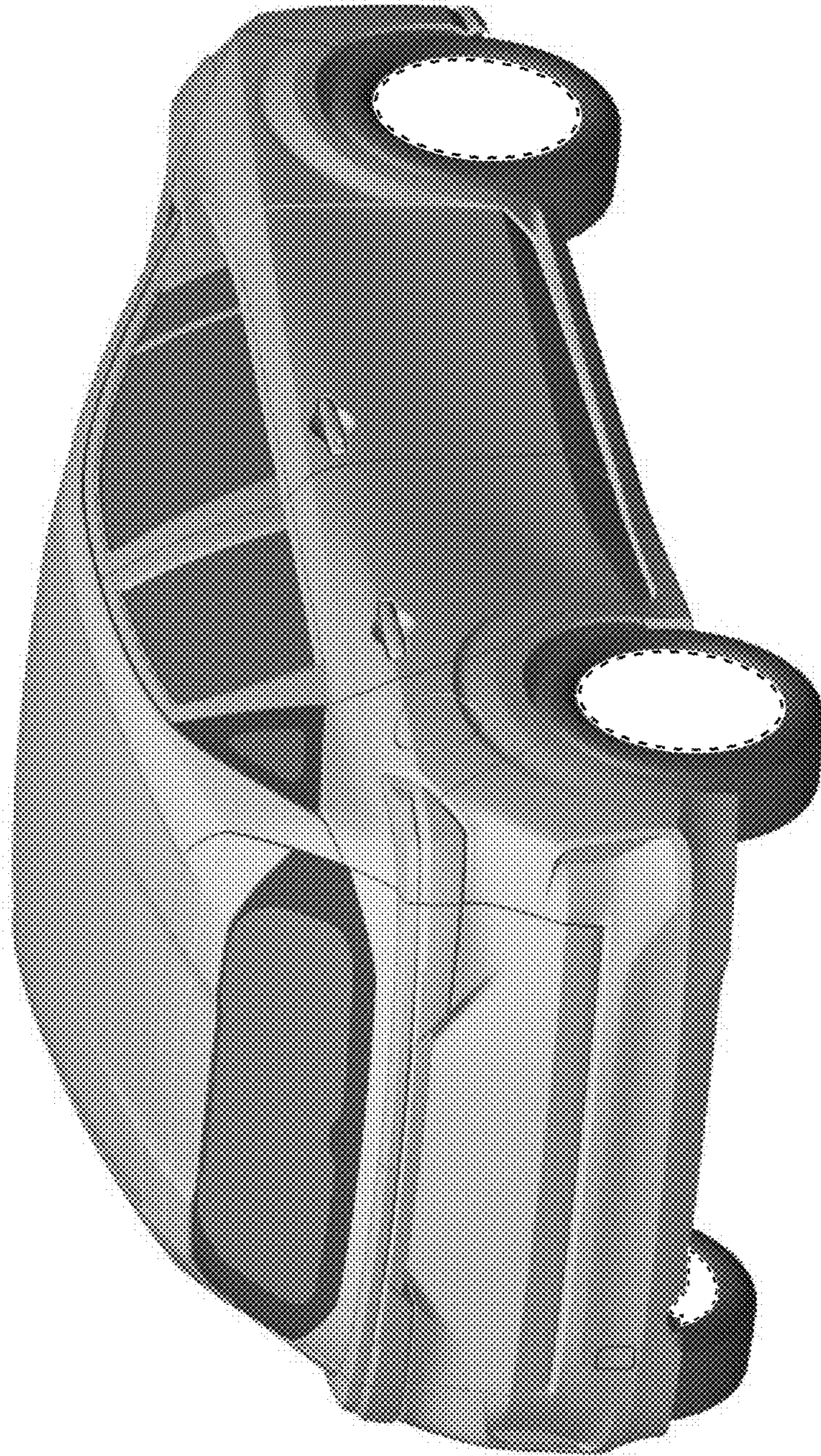


FIG. 2

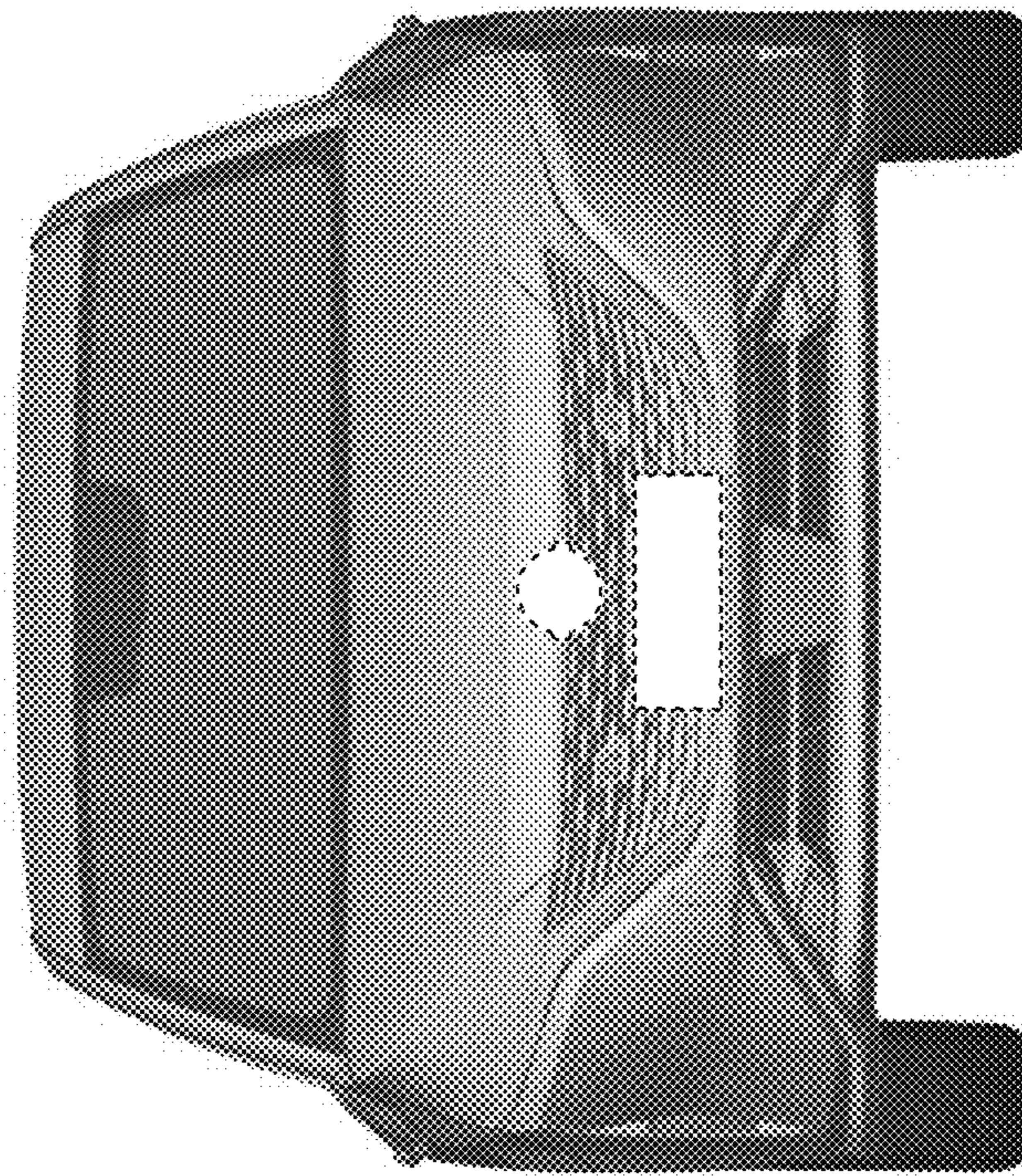


FIG. 3

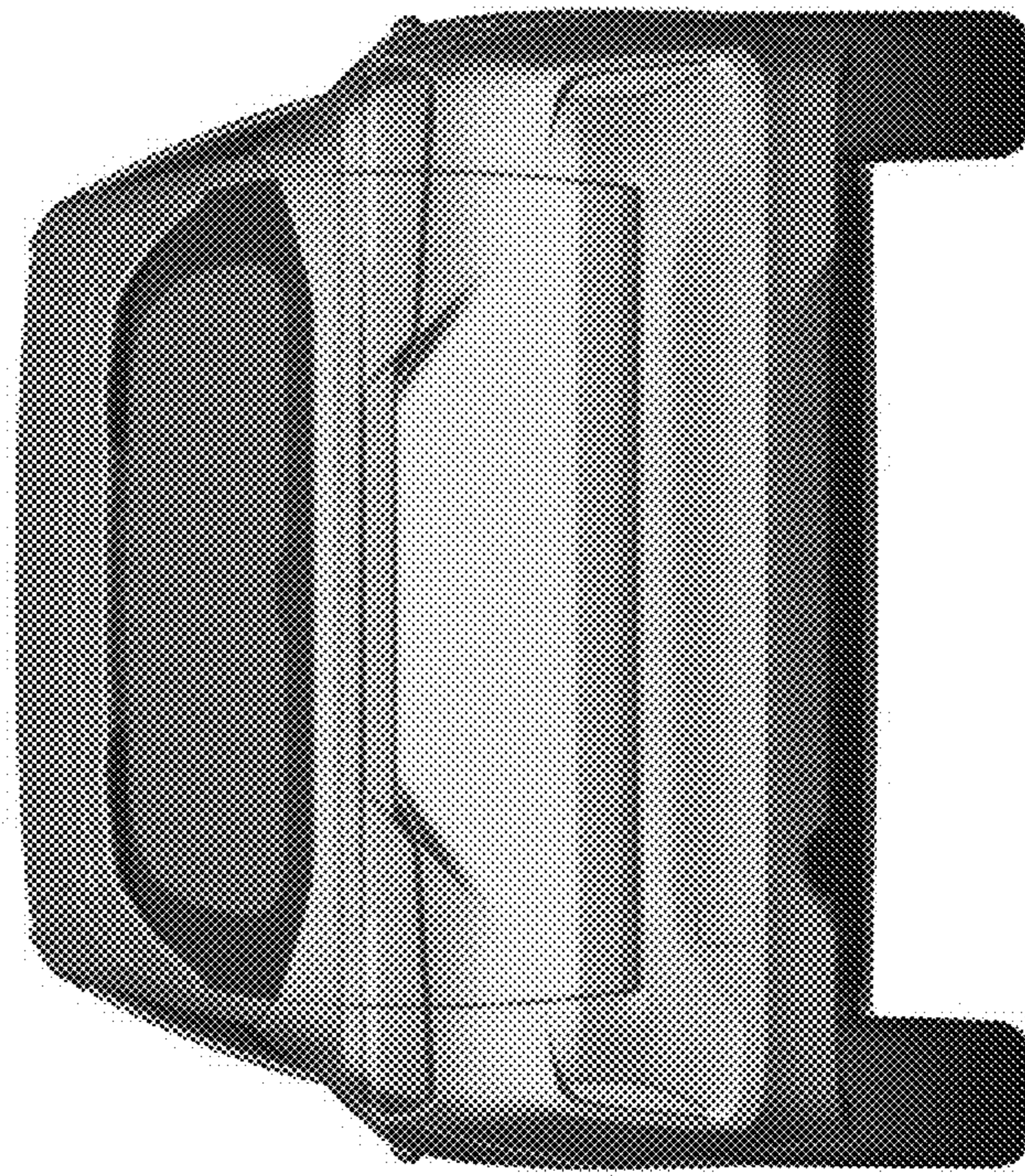


FIG. 4

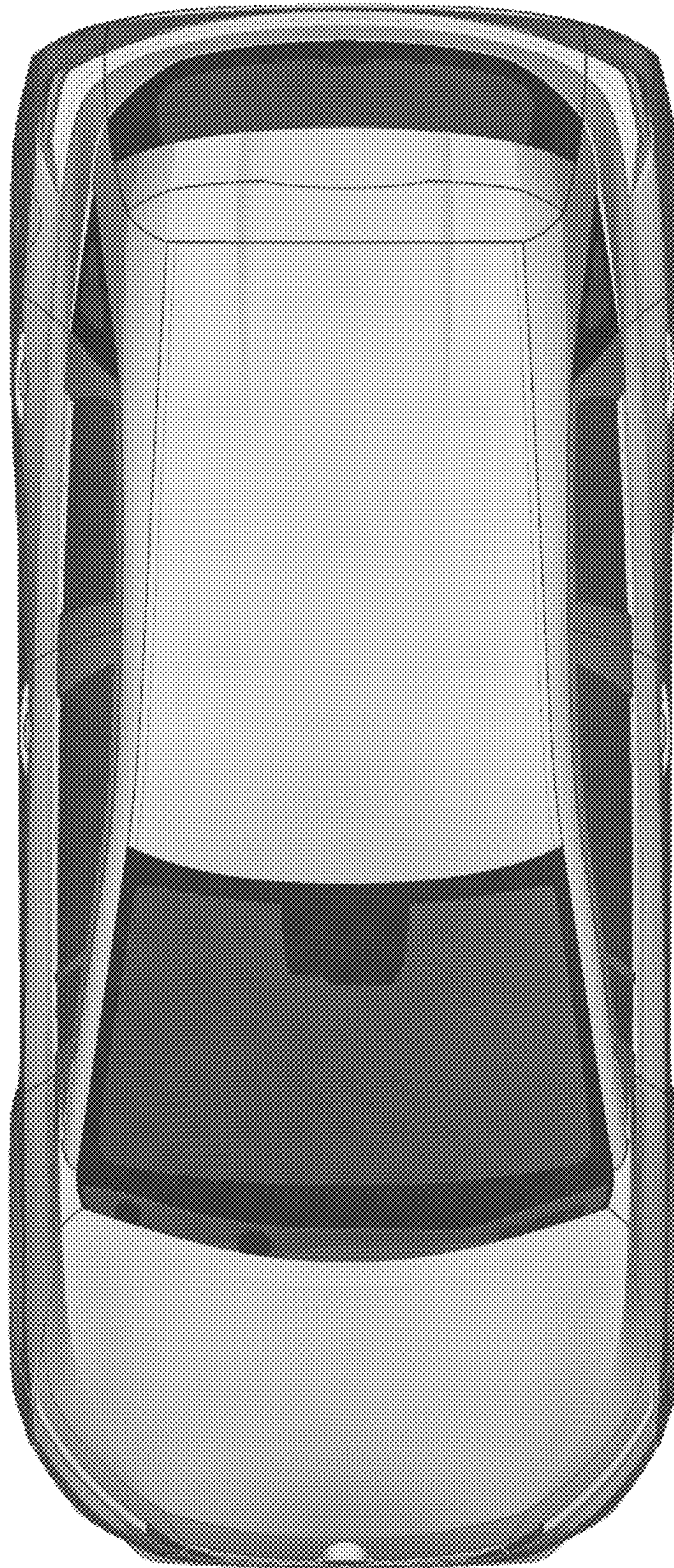


FIG. 5

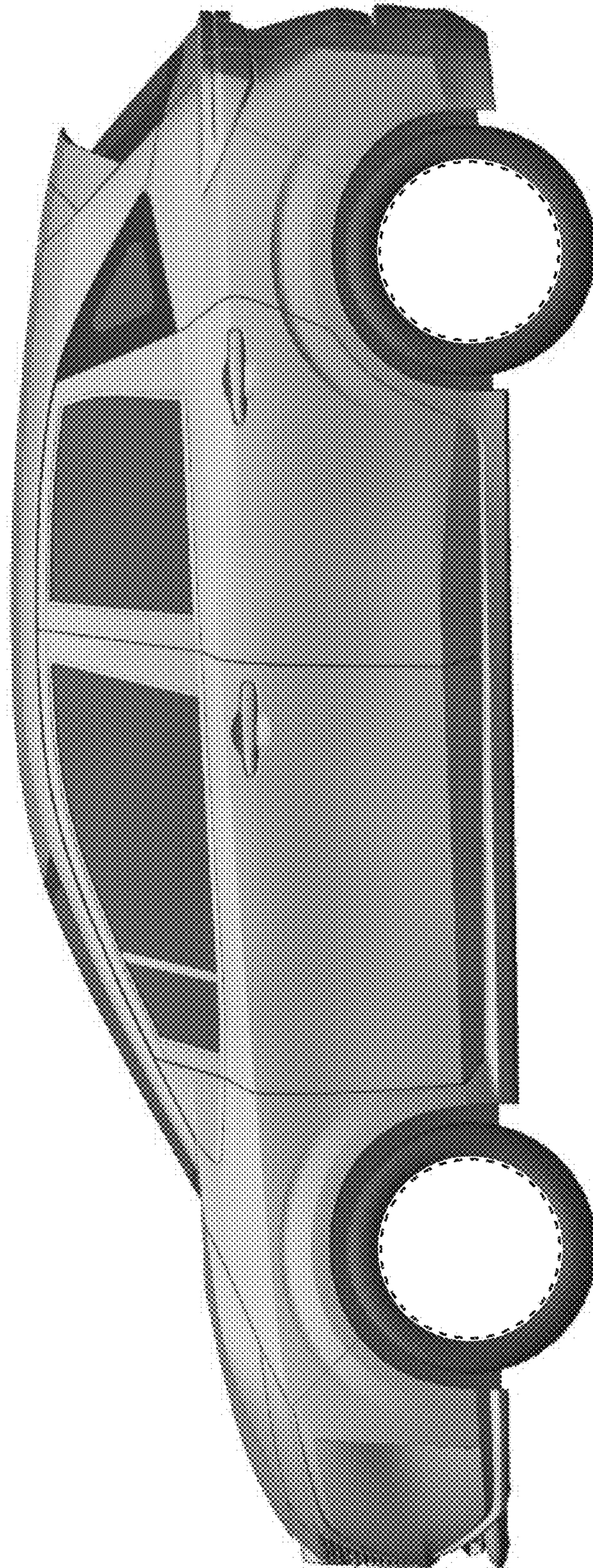


FIG. 6

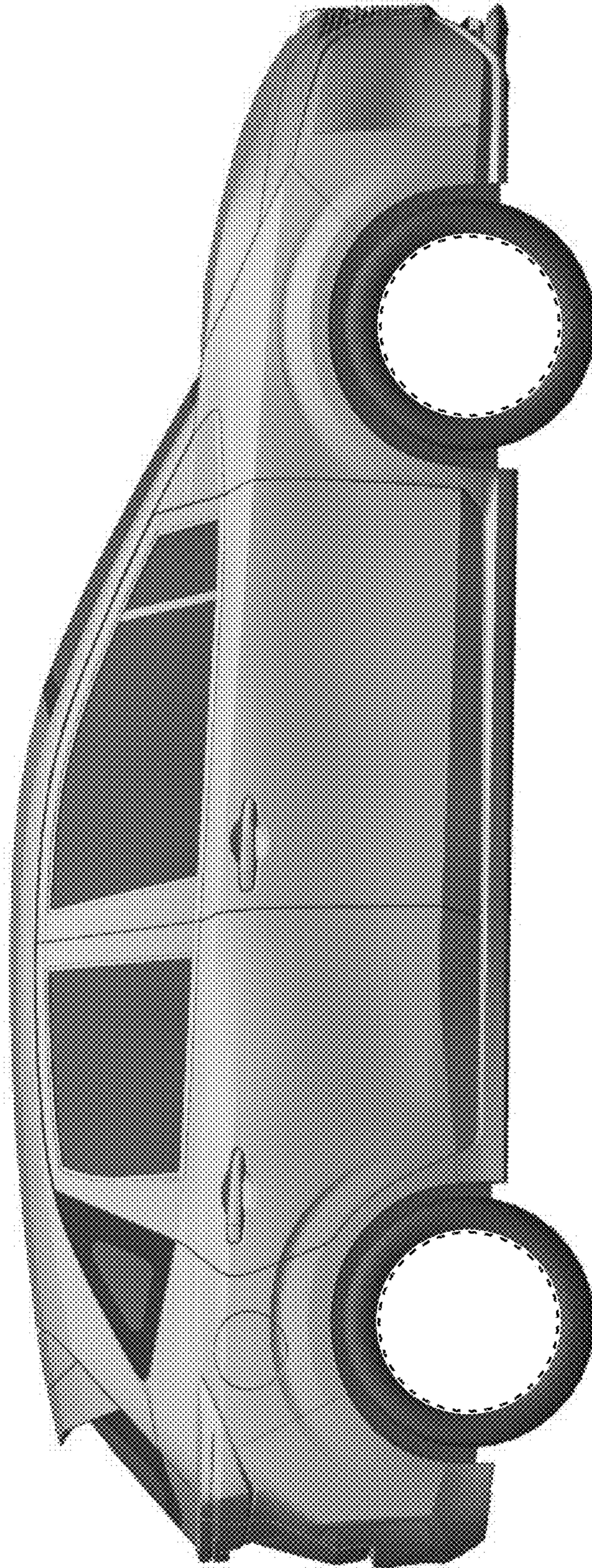


FIG. 7