



US00D957993S

(12) **United States Design Patent** (10) **Patent No.:** **US D957,993 S**  
**Arroba et al.** (45) **Date of Patent:** **\*\* Jul. 19, 2022**

(54) **AUTOMOBILE AND/OR TOY REPLICA THEREOF**

(71) Applicant: **Nissan Motor Co., Ltd.**, Kanagawa (JP)

(72) Inventors: **Giovanny Arroba**, Tokyo (JP); **Kazunori Murabayashi**, Tokyo (JP)

(73) Assignee: **Nissan Motor Co., Ltd.**, Yokohama (JP)

(\*\*) Term: **15 Years**

(21) Appl. No.: **29/747,718**

(22) Filed: **Aug. 25, 2020**

(30) **Foreign Application Priority Data**

Feb. 26, 2020 (JP) ..... 2020-003632

(51) **LOC (13) Cl.** ..... **12-08**

(52) **U.S. Cl.**  
USPC ..... **D12/91**

(58) **Field of Classification Search**  
USPC ..... D12/86, 90-92, 164; D21/433, 434, D21/531-535; 296/181.1-181.5, 183.1  
CPC ..... B62D 25/00; B62D 25/06; B62D 33/00; B62D 35/00  
See application file for complete search history.

(56) **References Cited**

**U.S. PATENT DOCUMENTS**

D565,468 S \* 4/2008 Abe ..... D12/92  
D646,205 S \* 10/2011 Bittner ..... D12/92  
D668,182 S \* 10/2012 Barba Franco ..... D12/92  
D683,269 S \* 5/2013 Fuchigami ..... D12/92  
D684,900 S \* 6/2013 Doyle ..... D12/92  
D686,536 S \* 7/2013 McCabe ..... D12/92  
D695,645 S \* 12/2013 Tase ..... D12/91  
D699,630 S \* 2/2014 Abe ..... D12/92

D710,761 S \* 8/2014 Endo ..... D12/92  
D718,662 S \* 12/2014 Ishizuka ..... D12/92  
D773,341 S \* 12/2016 Liu ..... D12/92  
D799,379 S \* 10/2017 Komuro ..... D12/92  
D805,957 S \* 12/2017 Seo ..... D12/91  
D838,627 S \* 1/2019 Ino ..... D12/91  
D871,970 S \* 1/2020 Kusunoki ..... D12/92  
D881,757 S \* 4/2020 Tonello ..... D12/92  
D896,128 S \* 9/2020 Utsunomiya ..... D12/91

(Continued)

**FOREIGN PATENT DOCUMENTS**

JP D1473486 S 6/2013  
JP D1479642 S 9/2013  
JP D1484947 S 11/2013

(Continued)

*Primary Examiner* — Melody N Brown

(74) *Attorney, Agent, or Firm* — Global IP Counselors, LLP

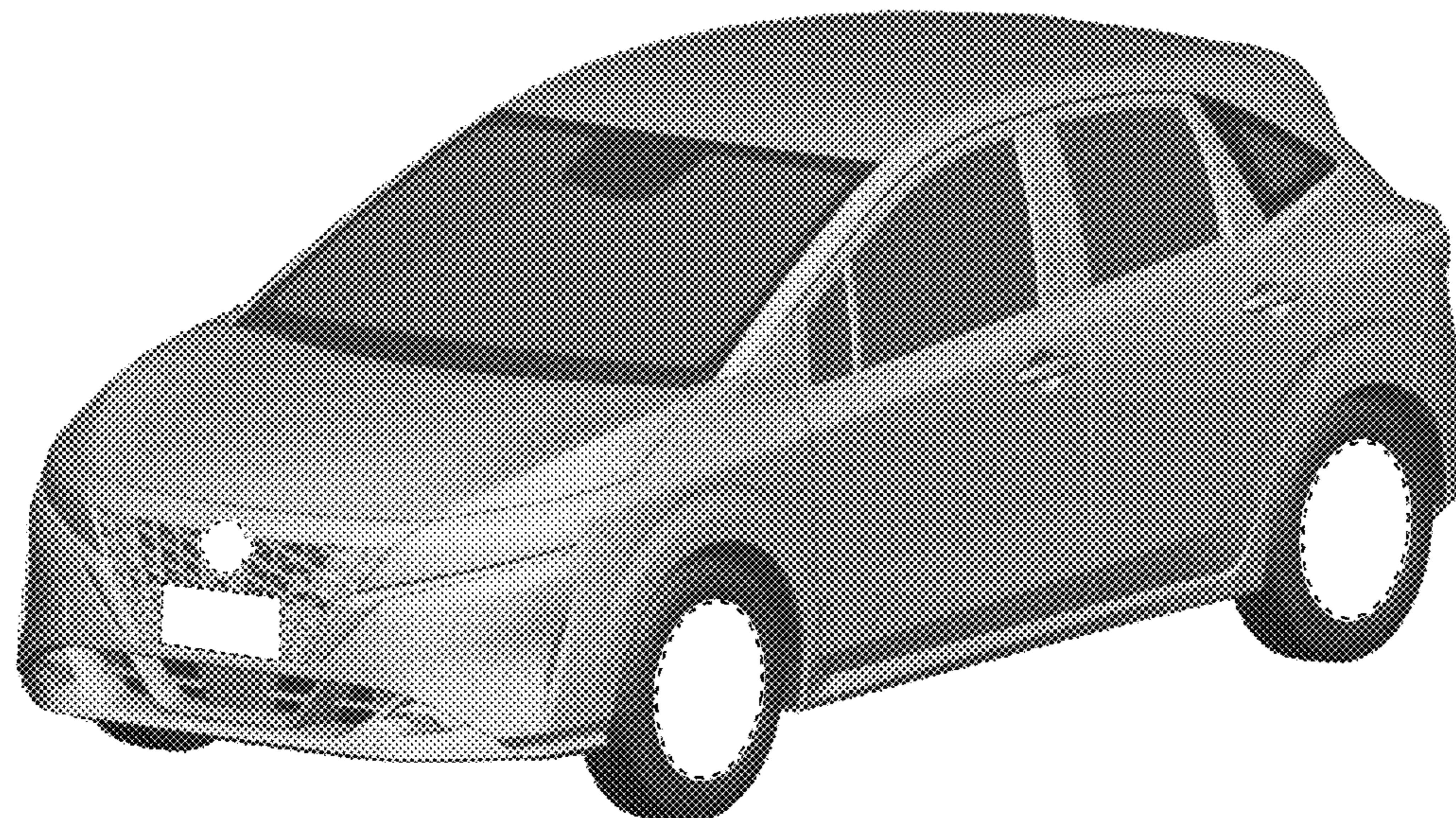
(57) **CLAIM**

The ornamental design for an automobile and/or toy replica thereof, as shown and described.

**DESCRIPTION**

FIG. 1 is a left, front perspective view of an automobile and/or toy replica thereof showing our new design; FIG. 2 is a right, rear perspective view thereof; FIG. 3 is a front elevational view thereof; FIG. 4 is a rear elevational view thereof. FIG. 5 is a top plan view thereof; FIG. 6 is a left side elevational view thereof; and, FIG. 7 is a right side elevational view thereof. The hidden surfaces from the bottom, obscured by a rear bumper, the wheels, and inside the wheel wells, but visible in the figures form no part of the claimed design. The broken line showing on the automobile and/or toy replica thereof is for the purpose of illustrating environmental structure and forms no part of the claimed design.

**1 Claim, 7 Drawing Sheets**



(56)

**References Cited**

U.S. PATENT DOCUMENTS

D906,179 S \* 12/2020 Fuchigami ..... D12/92  
D913,855 S \* 3/2021 Wakabayashi ..... D12/92

FOREIGN PATENT DOCUMENTS

JP	D1517402 S	2/2016
JP	D1550788 S	6/2016
JP	D1572085 S	7/2017
JP	D1532133 S	8/2018
JP	D1605894 S	8/2018
JP	D1606687 S	9/2018
JP	D1535715 S	10/2018
JP	D1594003 S	12/2018
JP	D1573956 S	4/2019
JP	D1602203 S	4/2019
JP	D1636161 S	7/2019
JP	D1636532 S	7/2019
JP	D1642029 S	9/2019
JP	D1645861 S	11/2019
JP	D1648407 S	4/2020
JP	D1648757 S	4/2020
JP	D1648758 S	4/2020
JP	D1641397 S	4/2021
JP	D1641398 S	4/2021
JP	D1641400 S	6/2021

\* cited by examiner

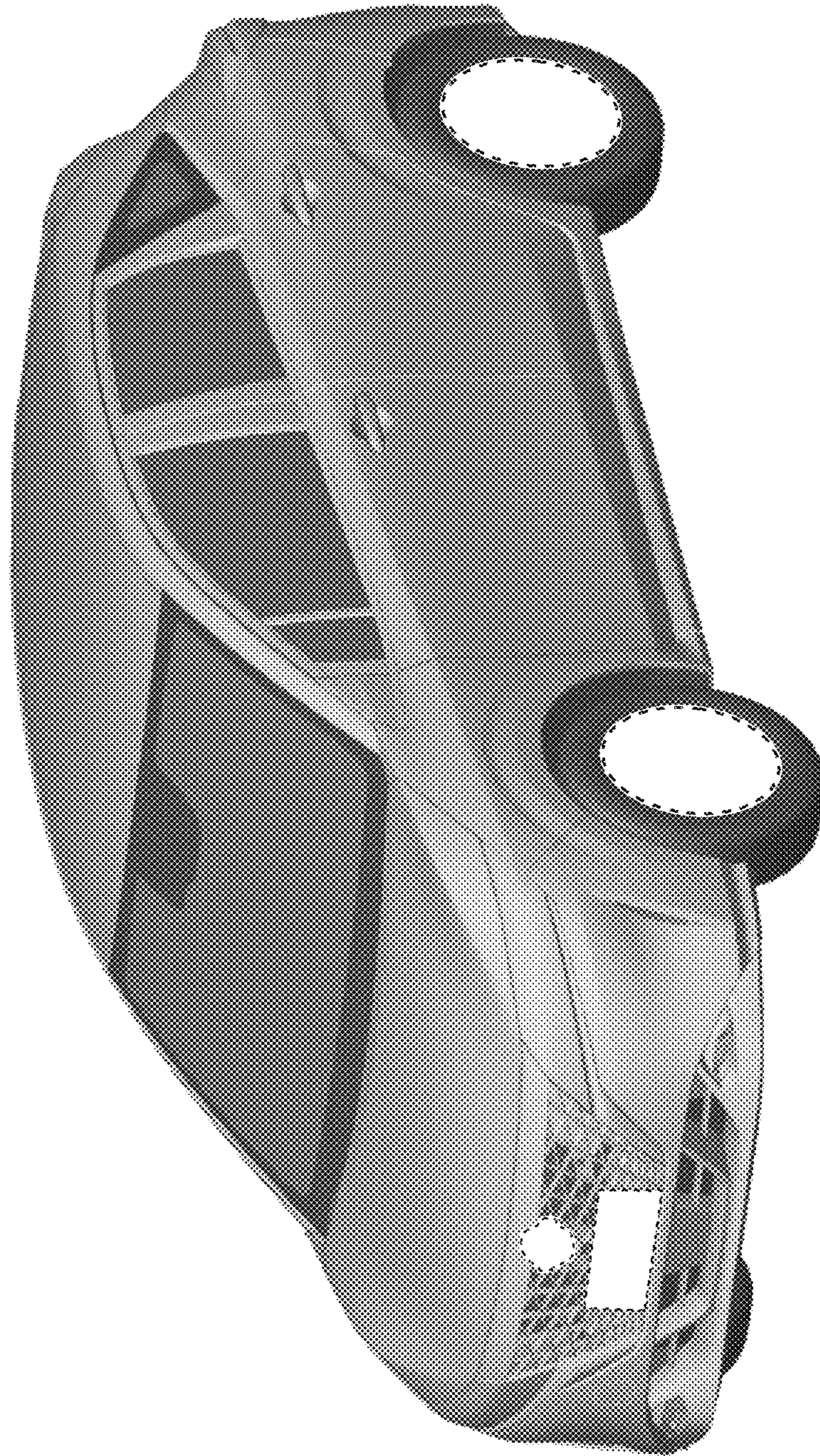


FIG. 1

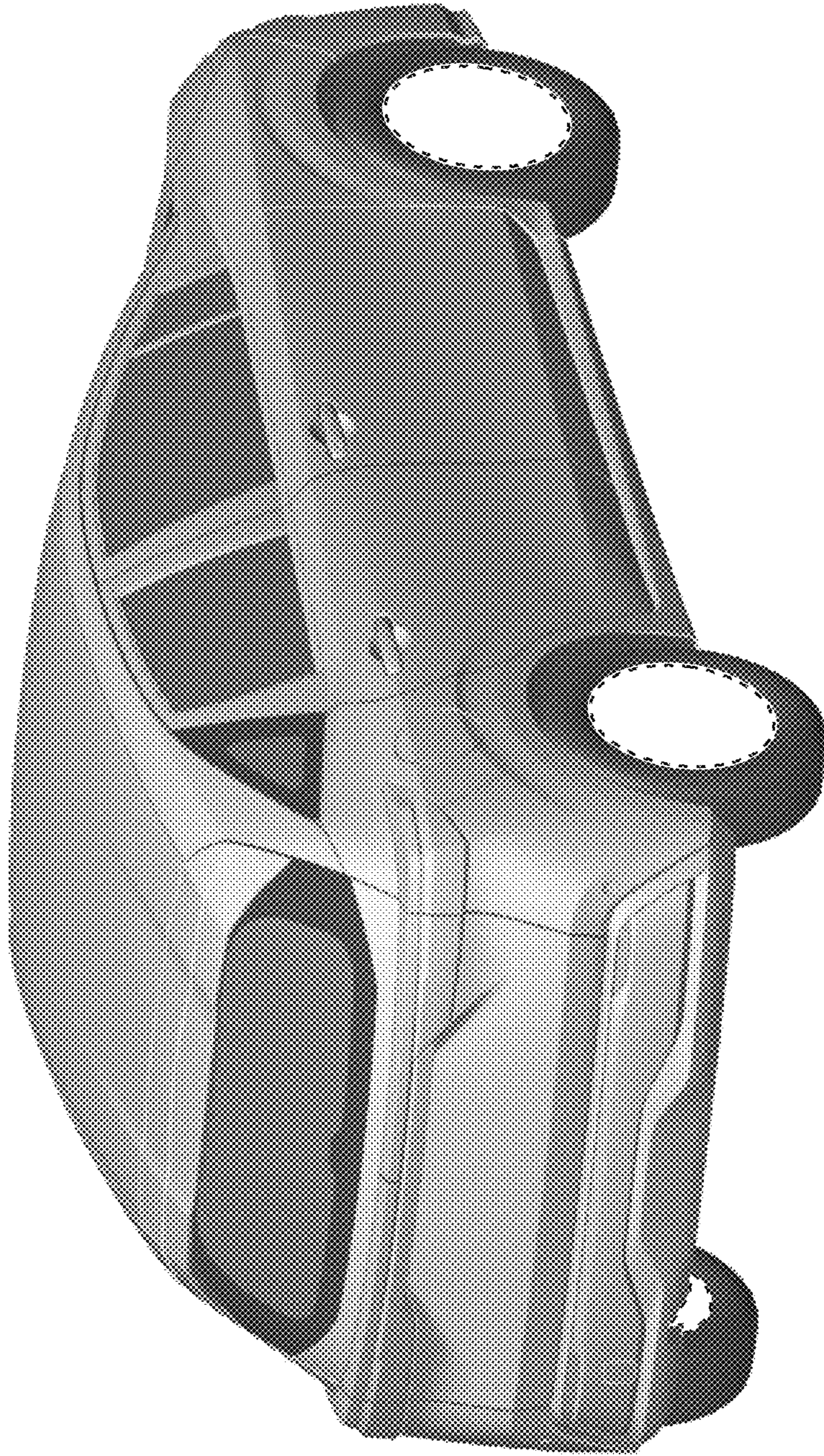


FIG. 2

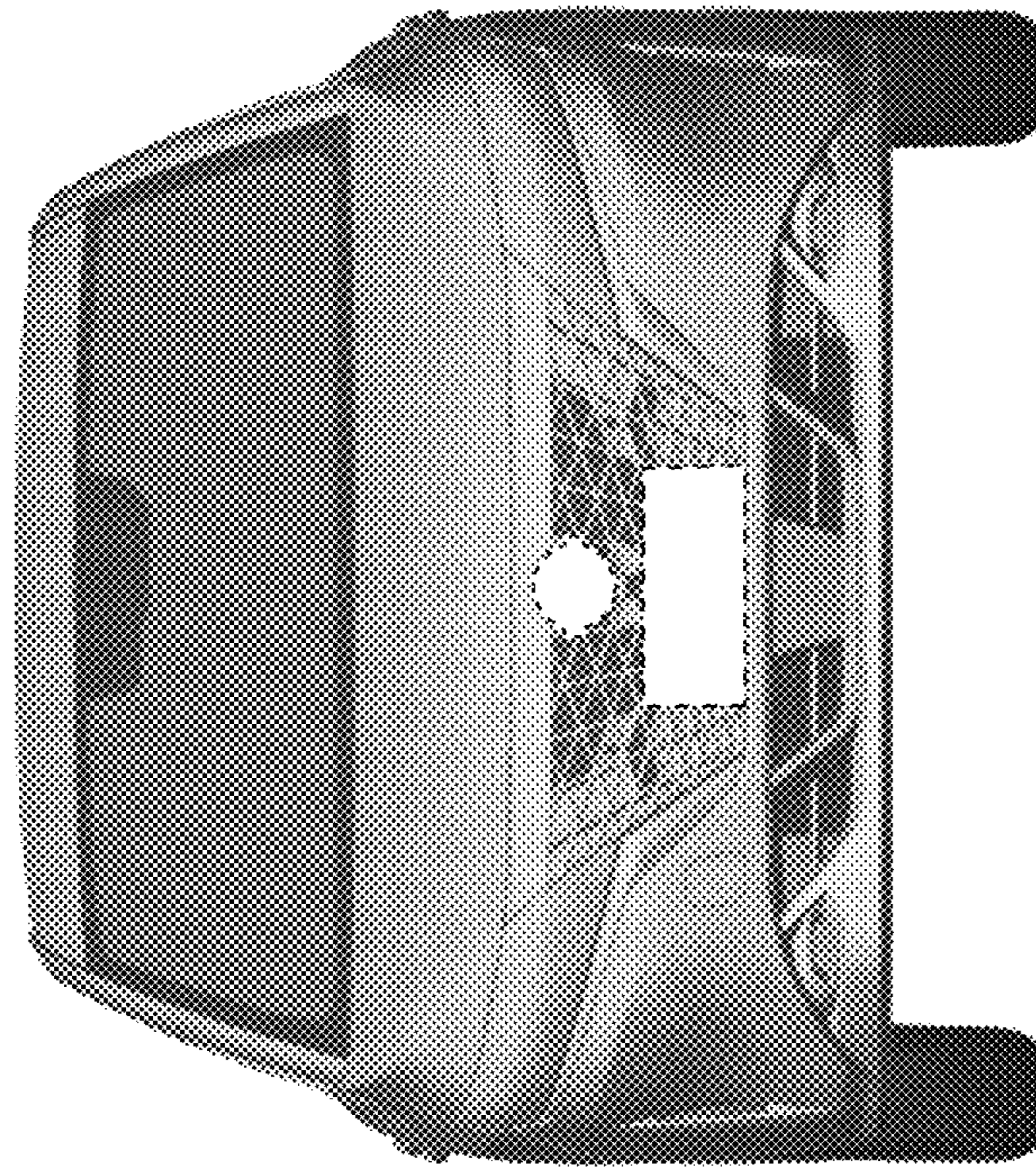
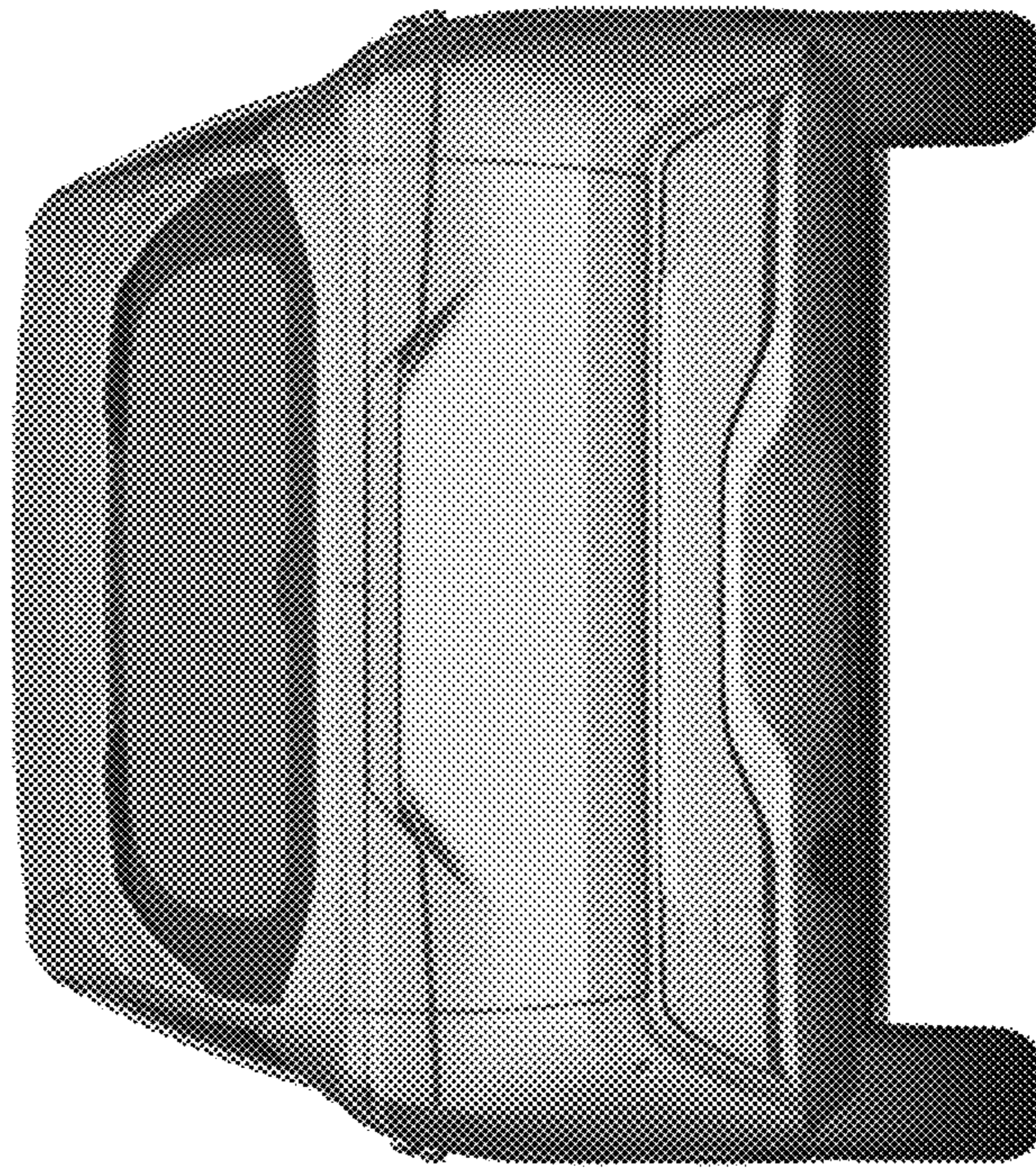


FIG. 3



**FIG. 4**

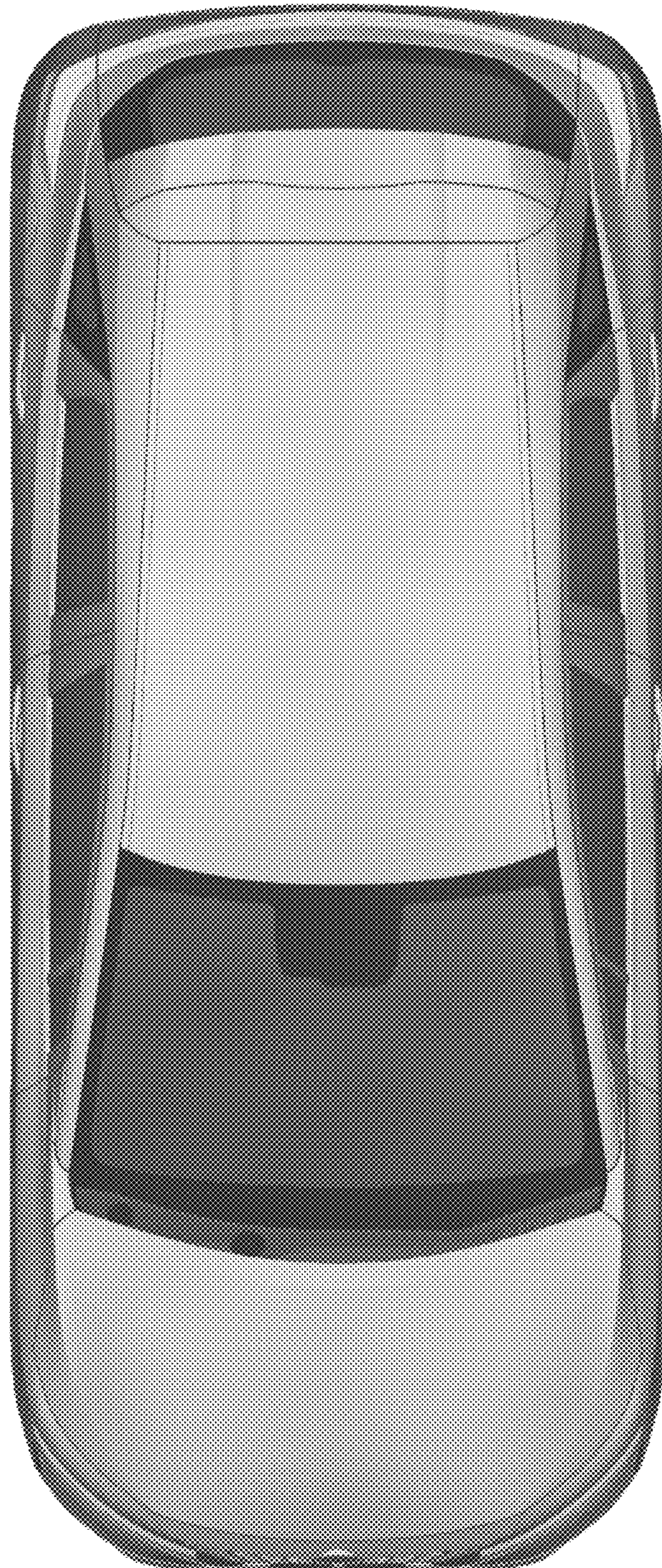


FIG. 5

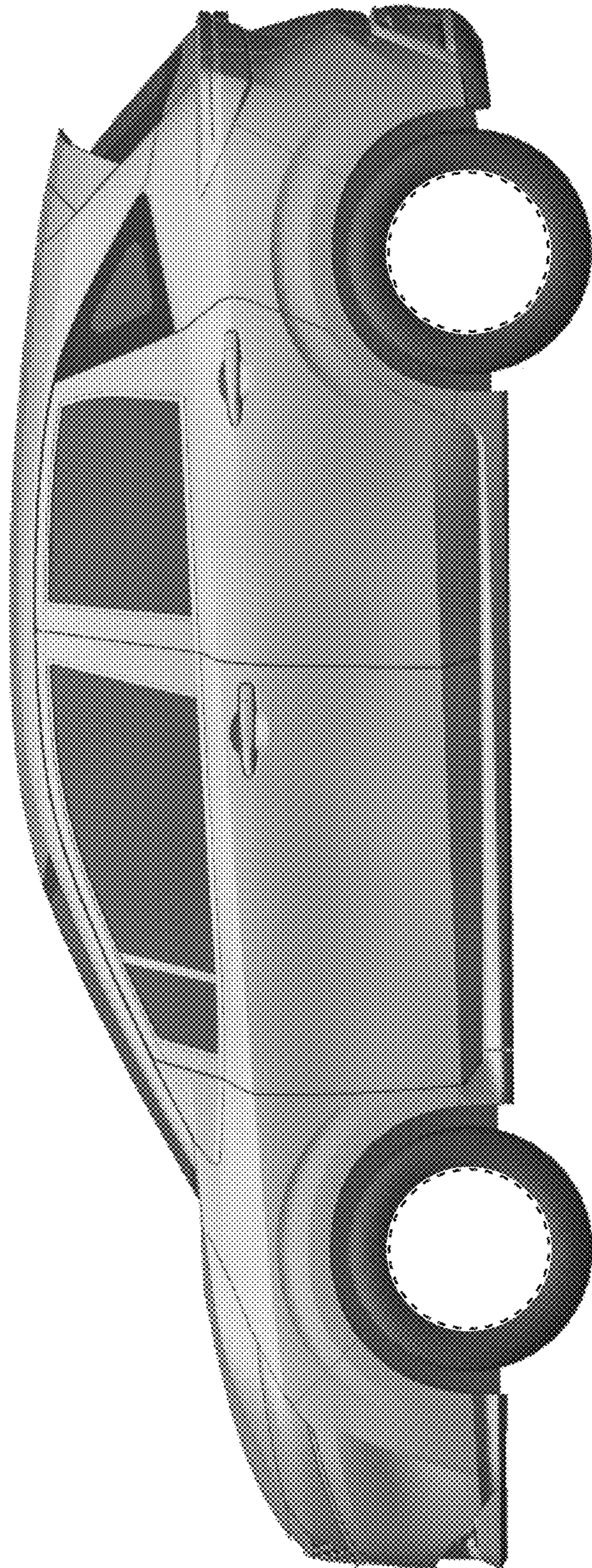


FIG. 6



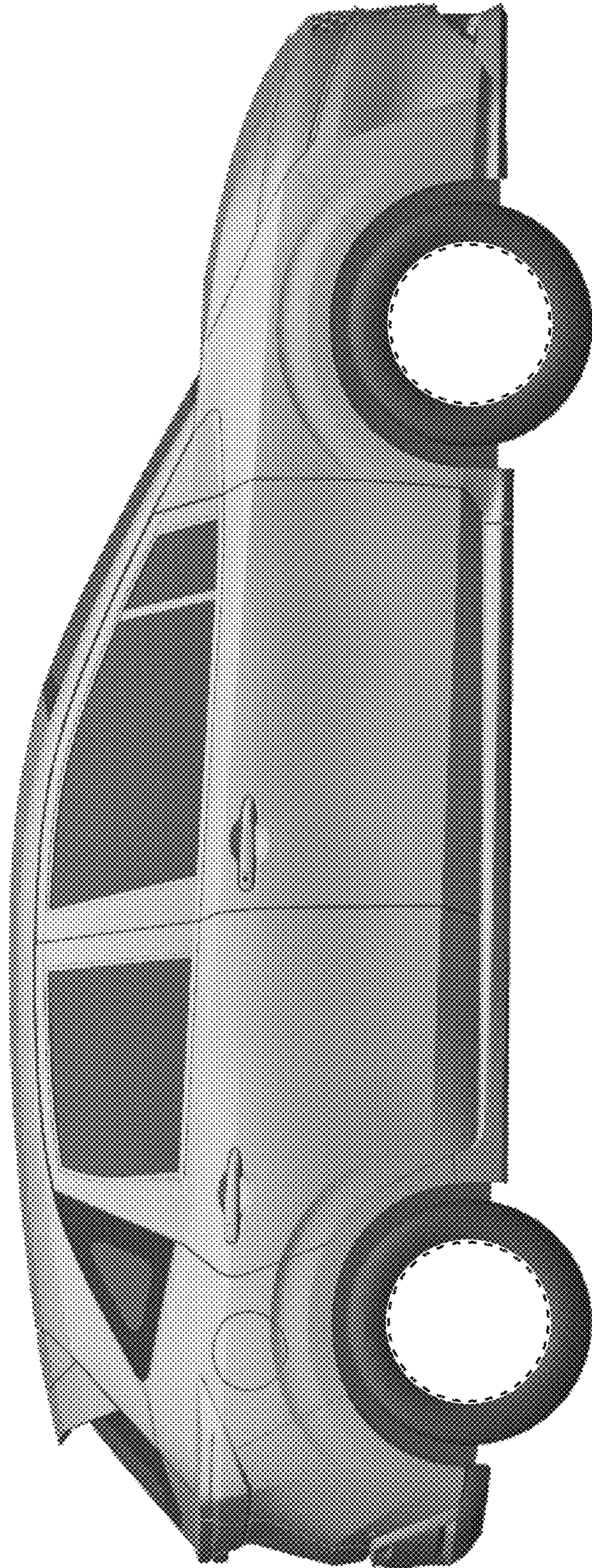


FIG. 7