



US00D957991S

(12) **United States Design Patent** (10) **Patent No.:** **US D957,991 S**
Eum (45) **Date of Patent:** **** Jul. 19, 2022**

(54) **CAR BODY**
(71) Applicant: **CHERY AUTOMOBILE CO., LTD,**
Anhui (CN)
(72) Inventor: **Steve Eum,** Shanghai (CN)
(73) Assignee: **CHERY AUTOMOBILE CO., LTD,**
Anhui (CN)
(**) Term: **15 Years**

D638,752 S 5/2011 Date et al.
D647,003 S 10/2011 Kim
D670,606 S 11/2012 Frenzel et al.
D674,726 S 1/2013 Yamada et al.
D680,906 S 4/2013 Sugimoto et al.
D689,795 S 9/2013 Takei et al.
D693,737 S 11/2013 Hammoud et al.
D708,552 S 7/2014 De Bono
D710,760 S 8/2014 Johnson
D746,722 S 1/2016 Henstridge
D784,856 S 4/2017 Hatton
D798,193 S 9/2017 Potter

(Continued)

(21) Appl. No.: **29/722,447**

FOREIGN PATENT DOCUMENTS

(22) Filed: **Jan. 29, 2020**

AU 315985 S 9/2007
AU 324015 S 1/2009

(30) **Foreign Application Priority Data**

(Continued)

Aug. 1, 2019 (CN) 201930415382.8
Oct. 25, 2019 (CN) 201930584966.8

Primary Examiner — Melody N Brown

(74) Attorney, Agent, or Firm — Kolitch Romano LLP

(51) **LOC (13) Cl.** **12-08**

(57) **CLAIM**

(52) **U.S. Cl.**
USPC **D12/91**

What is claimed is the ornamental design for a car body, as shown and described.

(58) **Field of Classification Search**

DESCRIPTION

USPC D12/86, 90-92, 88; D21/424, 433, 434,
D21/533; 296/181.1-181.5, 183.1
CPC B62D 25/00; B62D 25/06; B62D 33/00;
B62D 35/00

FIG. 1 is a front elevational view of a car body showing my new design;

FIG. 2 is a rear elevational view thereof;

FIG. 3 is a left side elevational view thereof;

FIG. 4 is a right side elevational view thereof;

FIG. 5 is a top view thereof;

FIG. 6 is a front perspective view thereof; and,

FIG. 7 is a rear perspective view thereof.

The portions of the car body shown in broken lines form no part of the claimed design. The shading lines shown in the drawings represent the approximate three-dimensional contour of the design, and are not intended to indicate surface decoration.

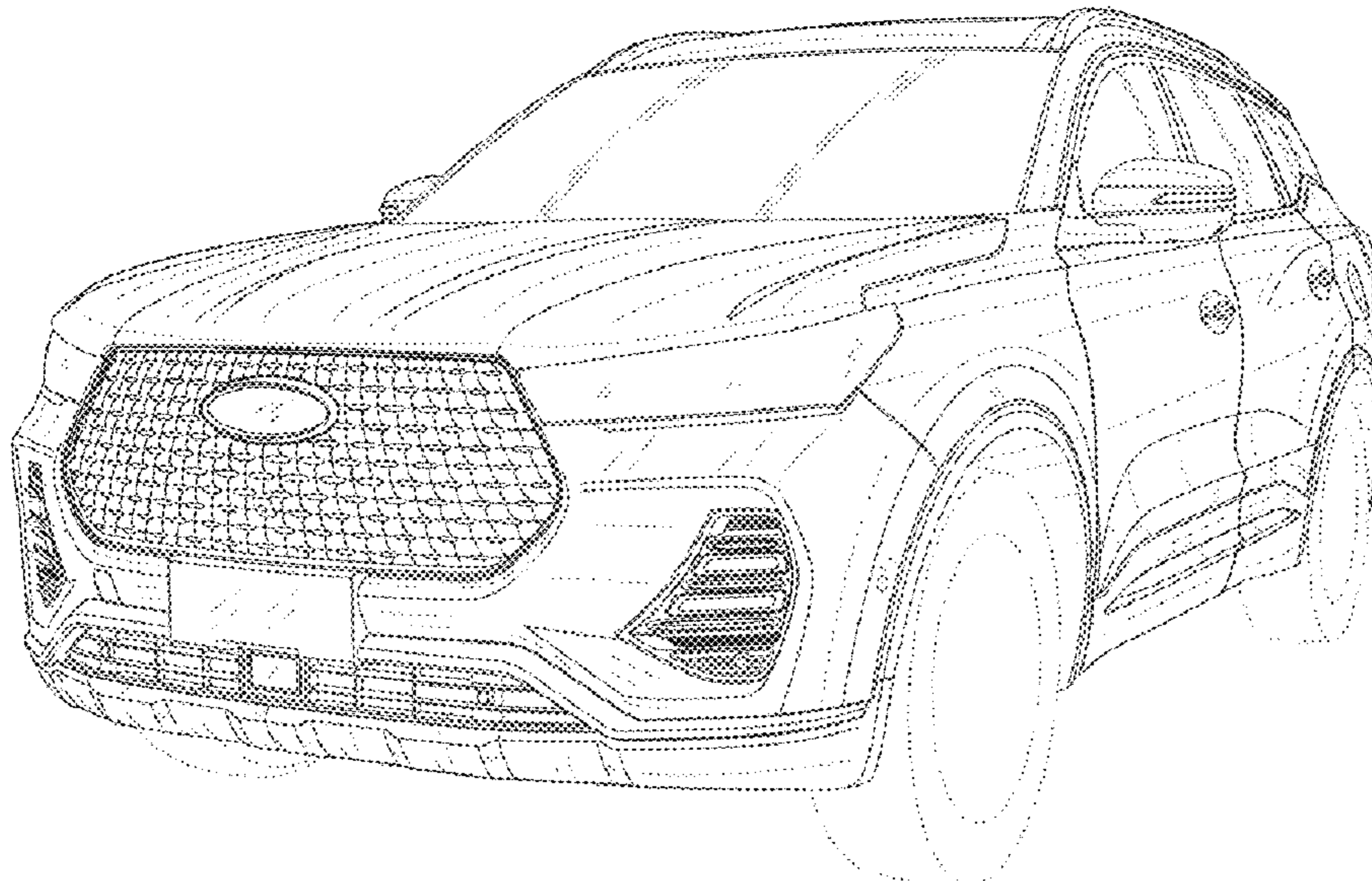
See application file for complete search history.

(56) **References Cited**

U.S. PATENT DOCUMENTS

D497,840 S 11/2004 Egger
D515,972 S 2/2006 Ikeda et al.
D554,564 S 11/2007 Vardis et al.
D587,170 S 2/2009 Tokoro et al.
D608,693 S 1/2010 Hammoud et al.
D613,645 S 4/2010 Song et al.
D619,500 S 7/2010 Hsu et al.
D619,501 S 7/2010 Mueller
D634,671 S 3/2011 Huang et al.

1 Claim, 7 Drawing Sheets



(56)

References Cited

U.S. PATENT DOCUMENTS

D811,271	S	2/2018	Park	
D813,097	S	3/2018	Szavits	
D818,881	S	5/2018	Bischoff et al.	
D840,269	S	2/2019	Frascella et al.	
D867,928	S	11/2019	Seo	
D890,028	S	7/2020	Rådbrink et al.	
D891,984	S	8/2020	Römers et al.	
D891,985	S	8/2020	Vaya	
D893,355	S *	8/2020	Kim et al. D12/91
D896,127	S *	9/2020	Yanagisawa et al. D12/91
D898,620	S	10/2020	Park et al.	
D904,229	S	12/2020	Bischoff et al.	
D904,933	S	12/2020	Bischoff et al.	
D906,175	S	12/2020	Mayer	
D906,884	S	1/2021	Bischoff et al.	
D909,249	S *	2/2021	Tonello et al. D12/91
D911,876	S *	3/2021	Sato et al. D12/91

FOREIGN PATENT DOCUMENTS

AU	328763	S	12/2009
AU	332631	S	9/2010
CA	132364	S	9/2010
CA	136580	S	3/2011
CA	137083	S	9/2011
CN	201930215904		5/2019
GB	2057708	S	6/1997
GB	3000080	S	4/2002
GB	3006398	S	9/2002

* cited by examiner

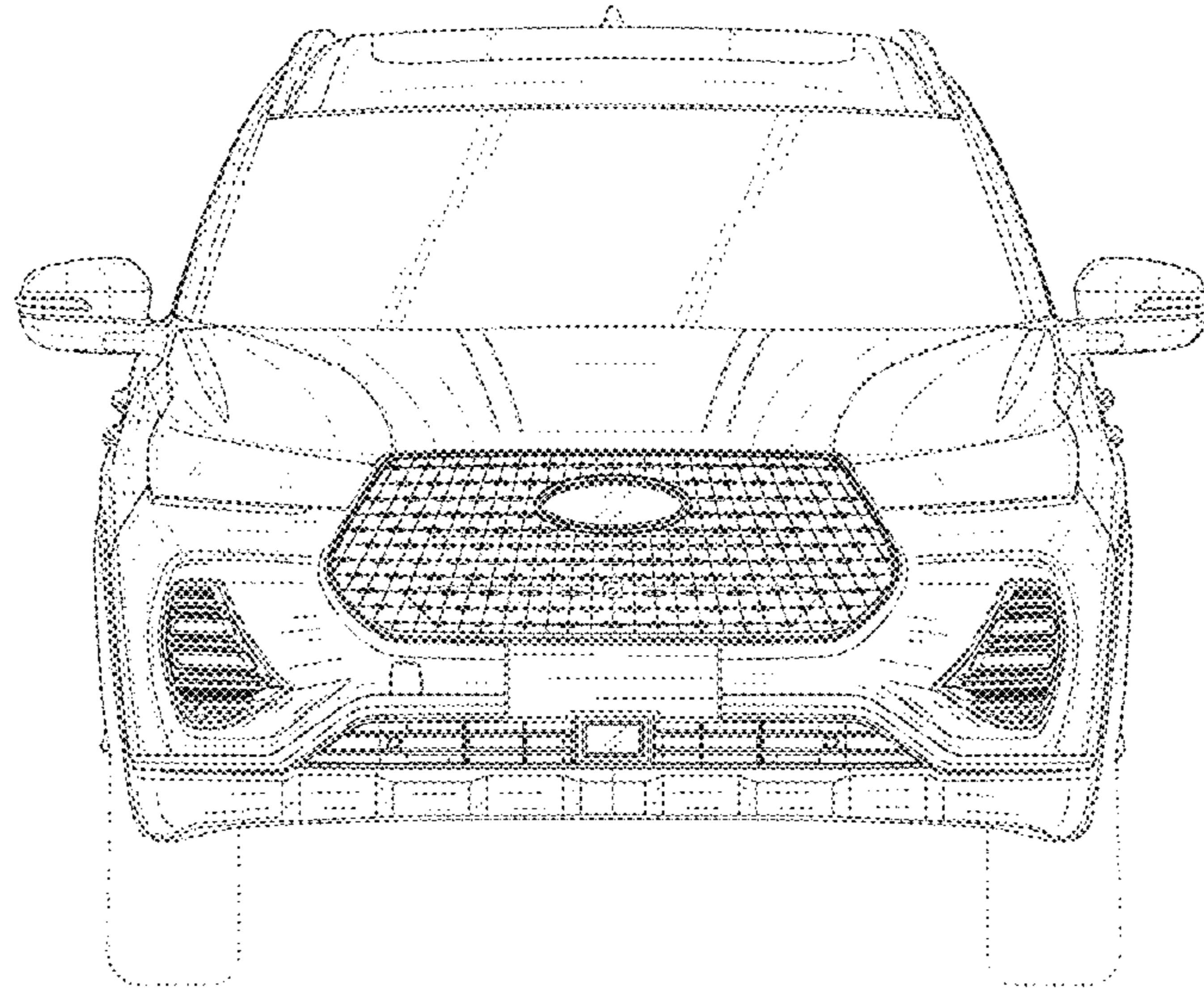


FIG. 1

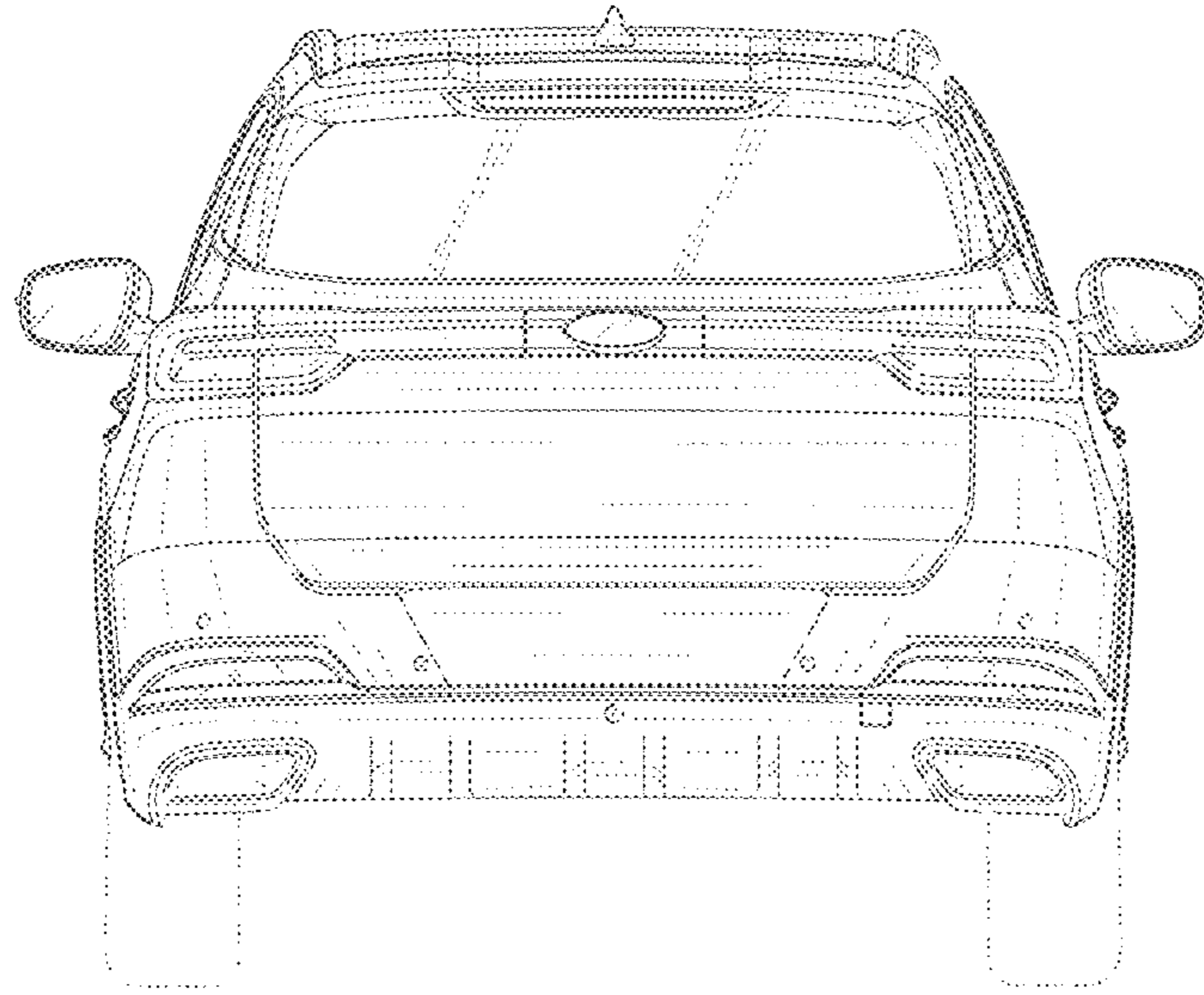


FIG. 2

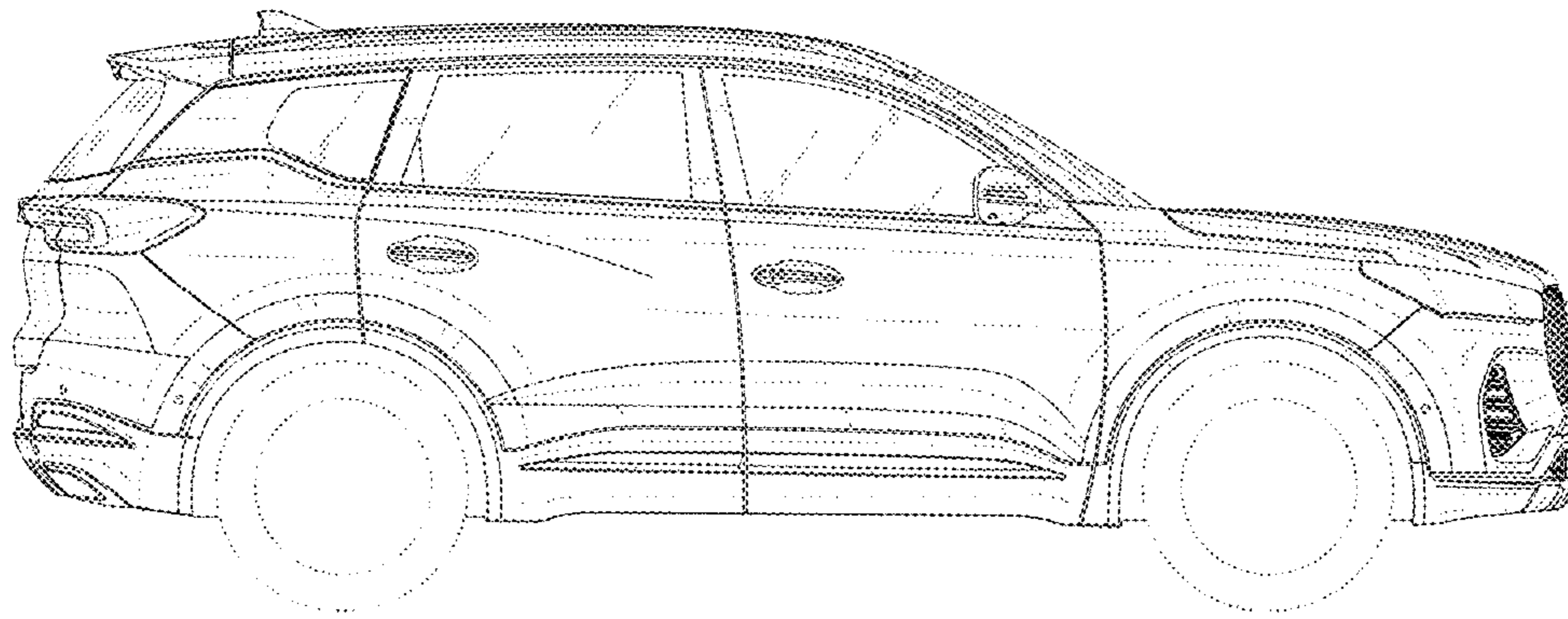


FIG. 3

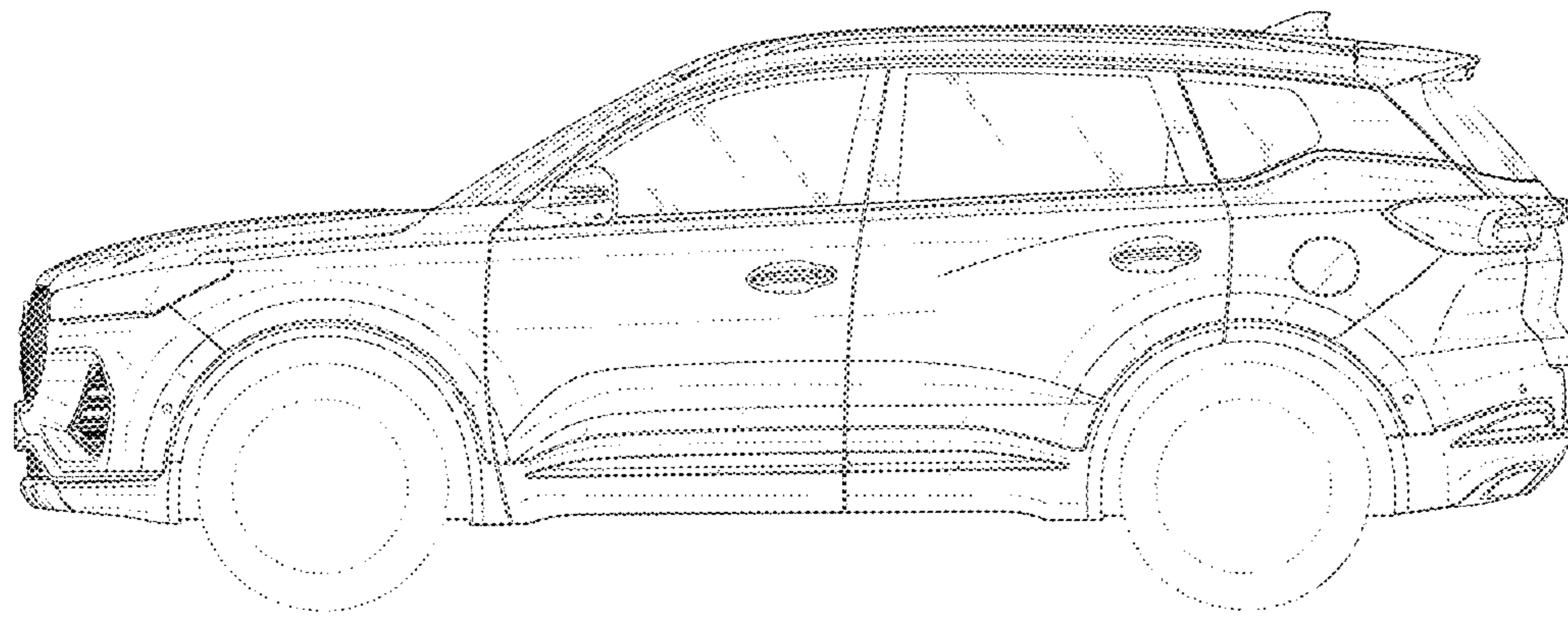


FIG. 4

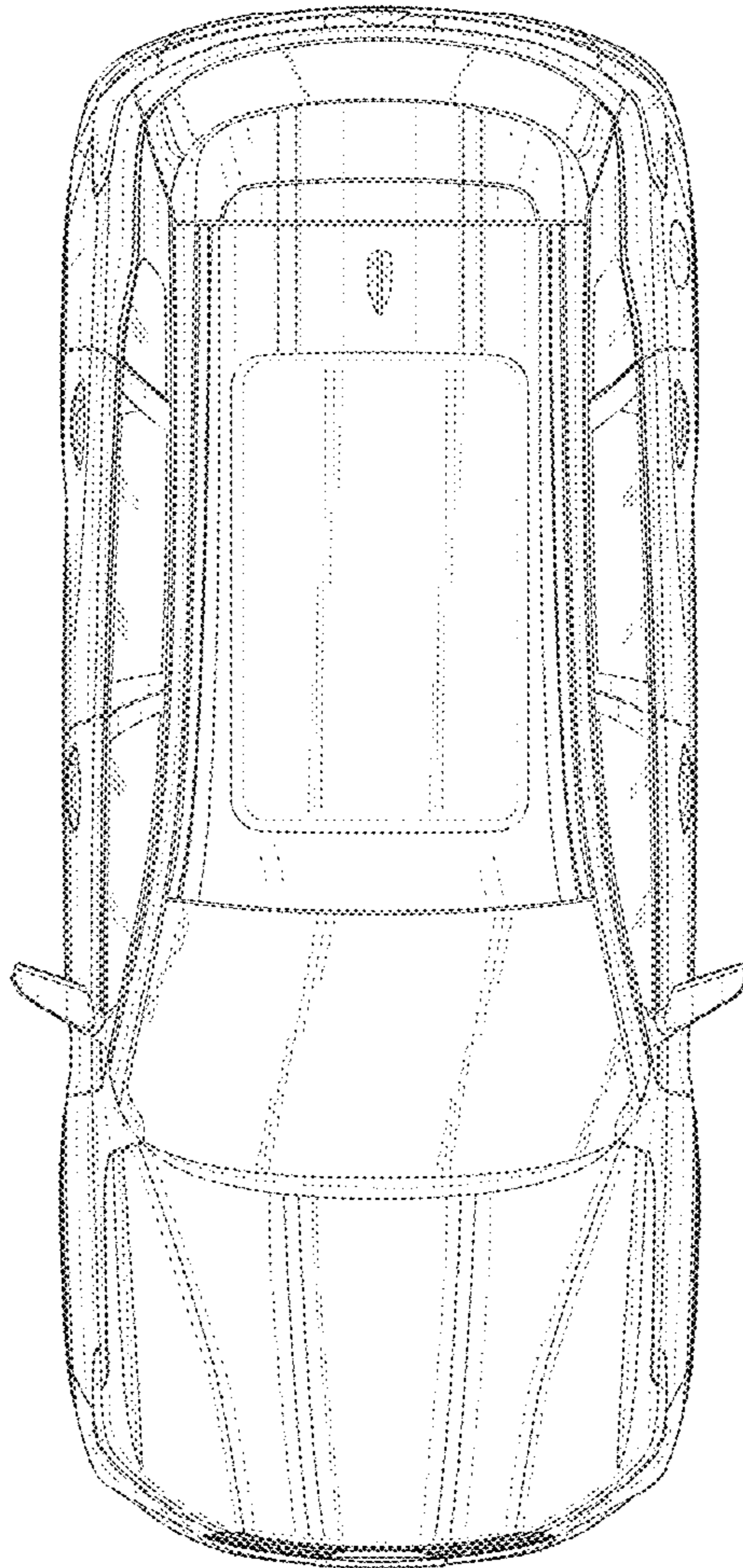


FIG. 5

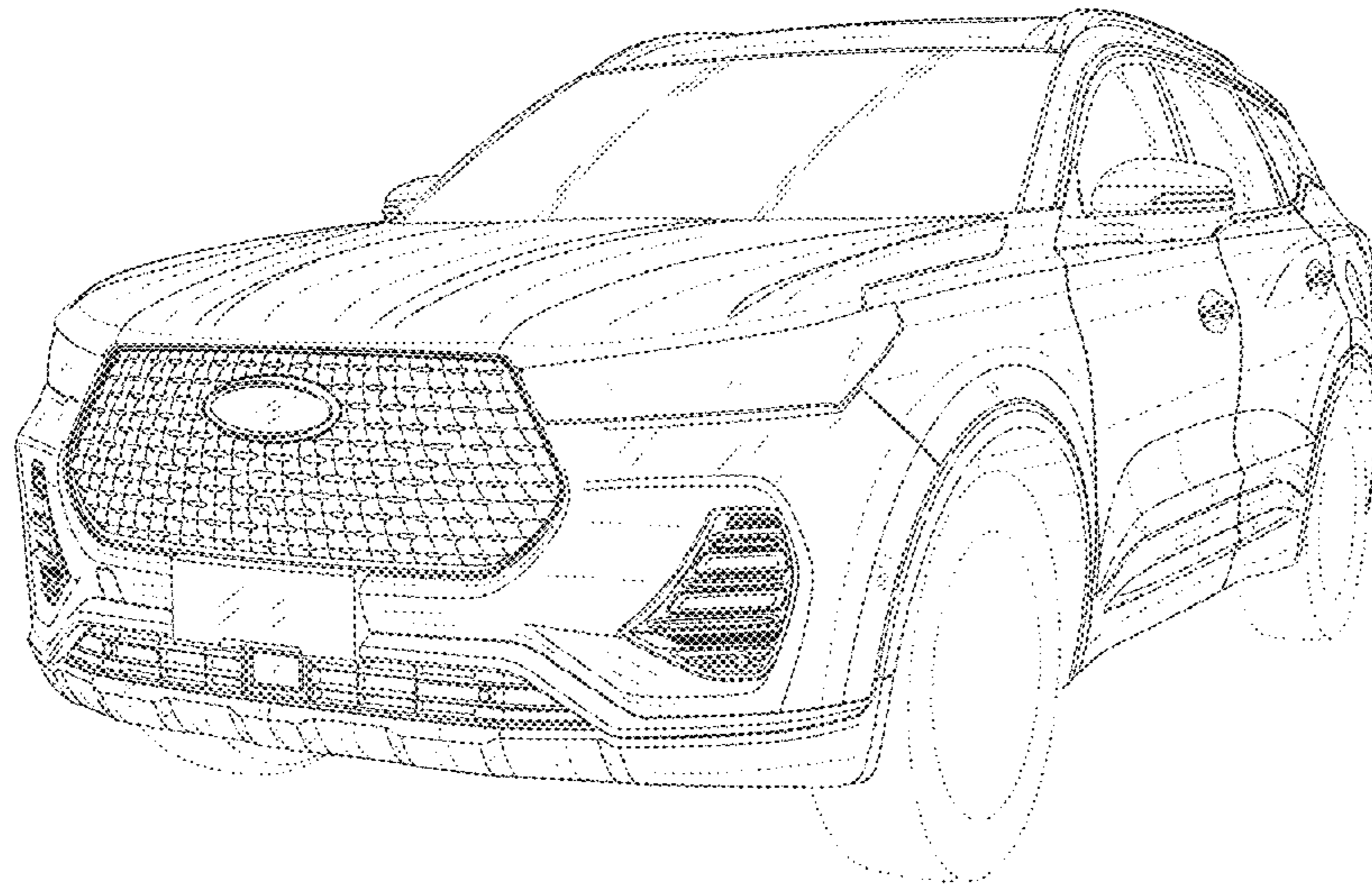


FIG. 6

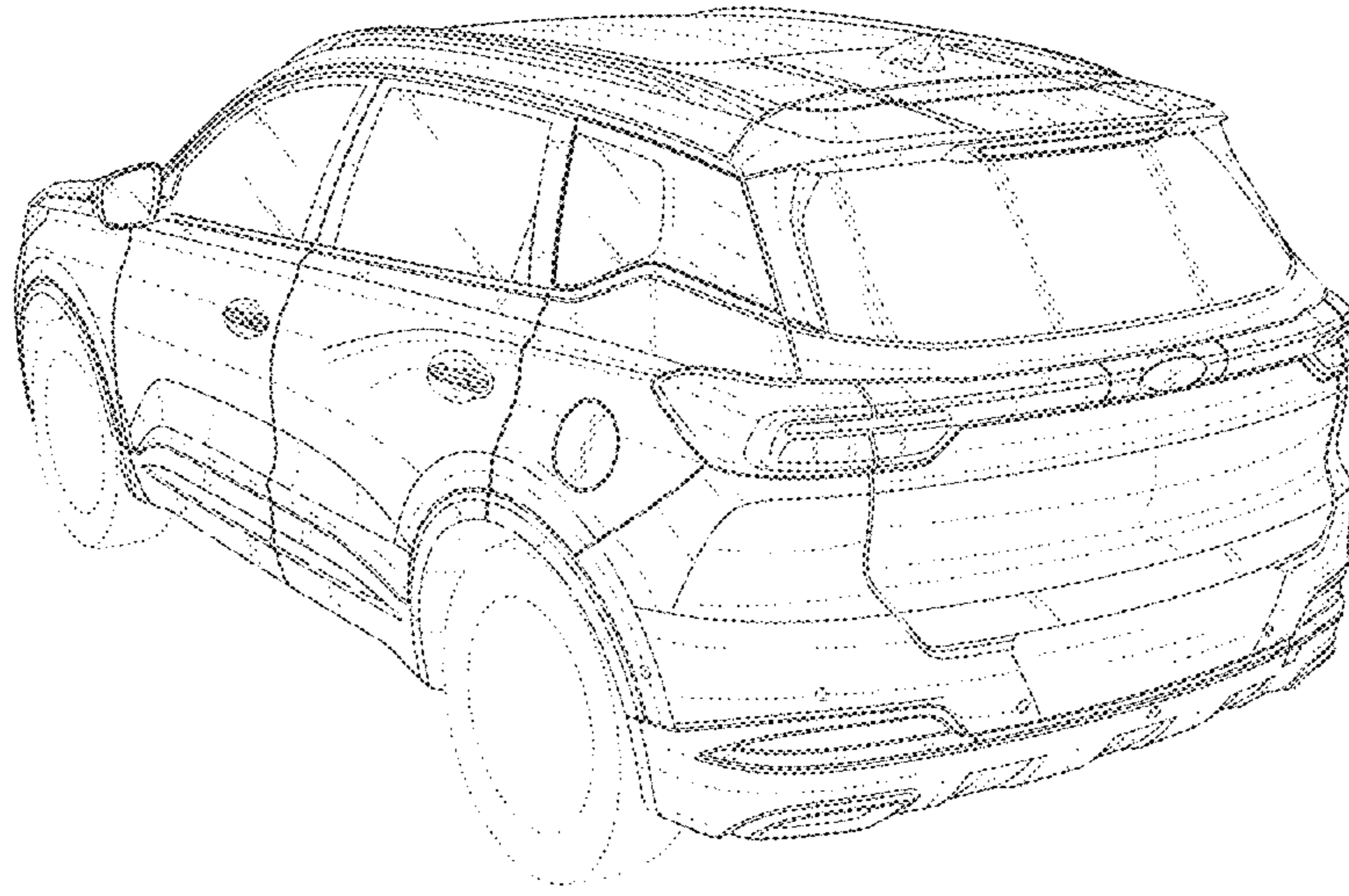


FIG. 7