



US00D957990S

(12) **United States Design Patent**
Yuan et al.

(10) **Patent No.:** **US D957,990 S**
(45) **Date of Patent:** **** Jul. 19, 2022**

(54) **VEHICLE**

(71) Applicant: **NINEBOT (BEIJING) TECH. CO., LTD.**, Beijing (CN)
(72) Inventors: **Zhangping Yuan**, Beijing (CN); **Kun Zhu**, Beijing (CN); **Jun Zhang**, Beijing (CN); **Zhen Dong**, Beijing (CN); **Mingtang Chen**, Beijing (CN)

D622,631 S * 8/2010 Lai D12/87
D642,493 S * 8/2011 Goebert D12/87
D650,311 S * 12/2011 Bracy D12/87
D701,469 S * 3/2014 Lai D12/87
D703,102 S * 4/2014 Eck D12/87
D712,311 S 9/2014 Morgan et al.
D727,794 S * 4/2015 Tandrup D12/87
D762,522 S 8/2016 Kinoshita
D772,755 S * 11/2016 Tandrup D12/14
(Continued)

(73) Assignee: **NINEBOT (BEIJING) TECH. CO., LTD.**, Beijing (CN)

FOREIGN PATENT DOCUMENTS

(**) Term: **15 Years**

CN 3681943 D 8/2007
CN 300689433 D 9/2007

(Continued)

(21) Appl. No.: **35/509,325**

Primary Examiner — Joseph Kukella

(22) Filed: **Jan. 20, 2020**

(74) *Attorney, Agent, or Firm* — Polson Intellectual Property Law, PC; Margaret Polson

(80) **Hague Agreement Data**

Int. Filing Date: **Jan. 20, 2020**
Int. Reg. No.: **DM/207723**
Int. Reg. Date: **Jan. 20, 2020**
Int. Reg. Pub. Date: **May 8, 2020**

(57) **CLAIM**

The ornamental design for a vehicle, as shown and described.

DESCRIPTION

(30) **Foreign Application Priority Data**

Jul. 24, 2019 (CN) 201930397049.9

(51) **LOC (13) Cl.** **12-08**

(52) **U.S. Cl.**
USPC **D12/87**

(58) **Field of Classification Search**
USPC D12/1, 16, 87, 88; D21/549, 550
CPC B62D 21/18; B62D 21/183; B62D 23/00; B62D 39/00

See application file for complete search history.

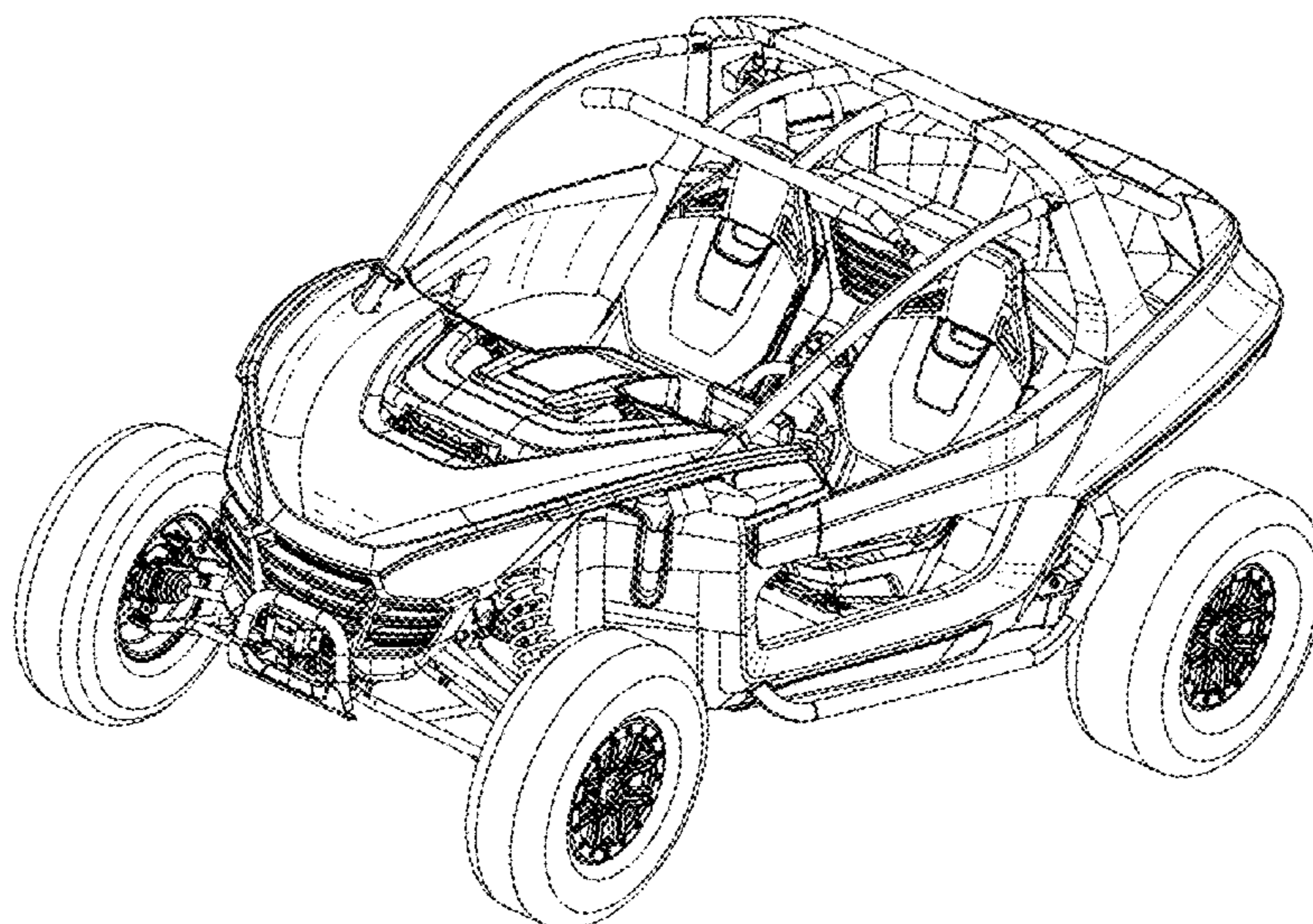
1.,3. Vehicle
1.1 is a front view of a first embodiment of a vehicle showing the new design;
1.2 is a back view of Figure 1.1;
1.3 is a left side view of Figure 1.1;
1.4 is a right side view of Figure 1.1;
1.5 is a top view of Figure 1.1;
1.6 is a front, left side, top perspective view of Figure 1.1;
3.1 is a front view of a second embodiment of a vehicle showing the new design;
3.2 is a back view of Figure 3.1;
3.3 is a left side view of Figure 3.1;
3.4 is a right side view of Figure 3.1;
3.5 is a top view of Figure 3.1;
3.6 is a front, left side, top perspective view of Figure 3.1.

(56) **References Cited**

U.S. PATENT DOCUMENTS

D549,133 S * 8/2007 LePage D12/87
D555,036 S 11/2007 Eck

1 Claim, 12 Drawing Sheets



(56)

References Cited

U.S. PATENT DOCUMENTS

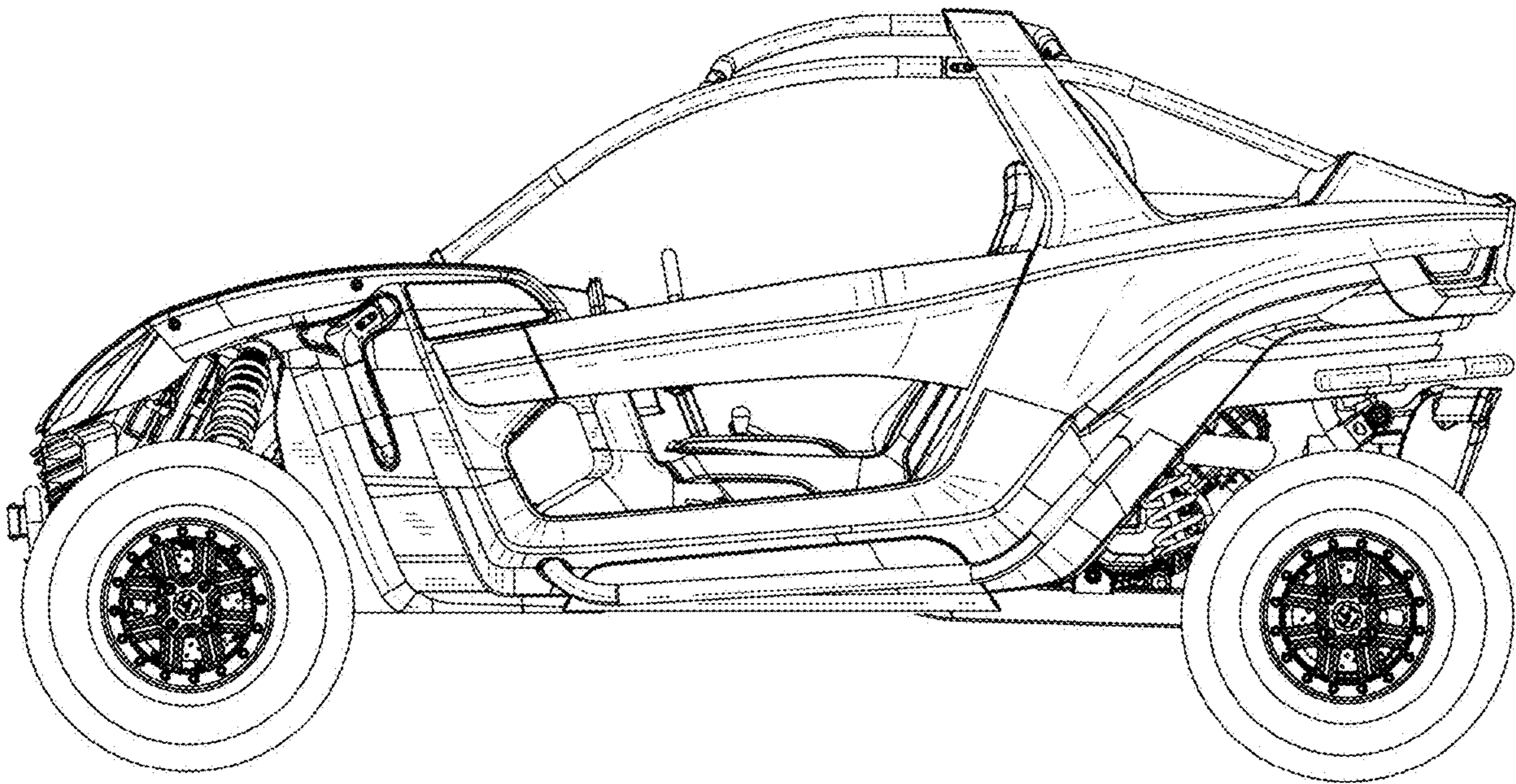
D804,993 S 12/2017 Eck et al.
D835,545 S 12/2018 Hanten et al.
D886,678 S * 6/2020 Lai D12/87
D908,536 S * 1/2021 Ye D12/87
D913,847 S * 3/2021 Hashimoto D12/87

FOREIGN PATENT DOCUMENTS

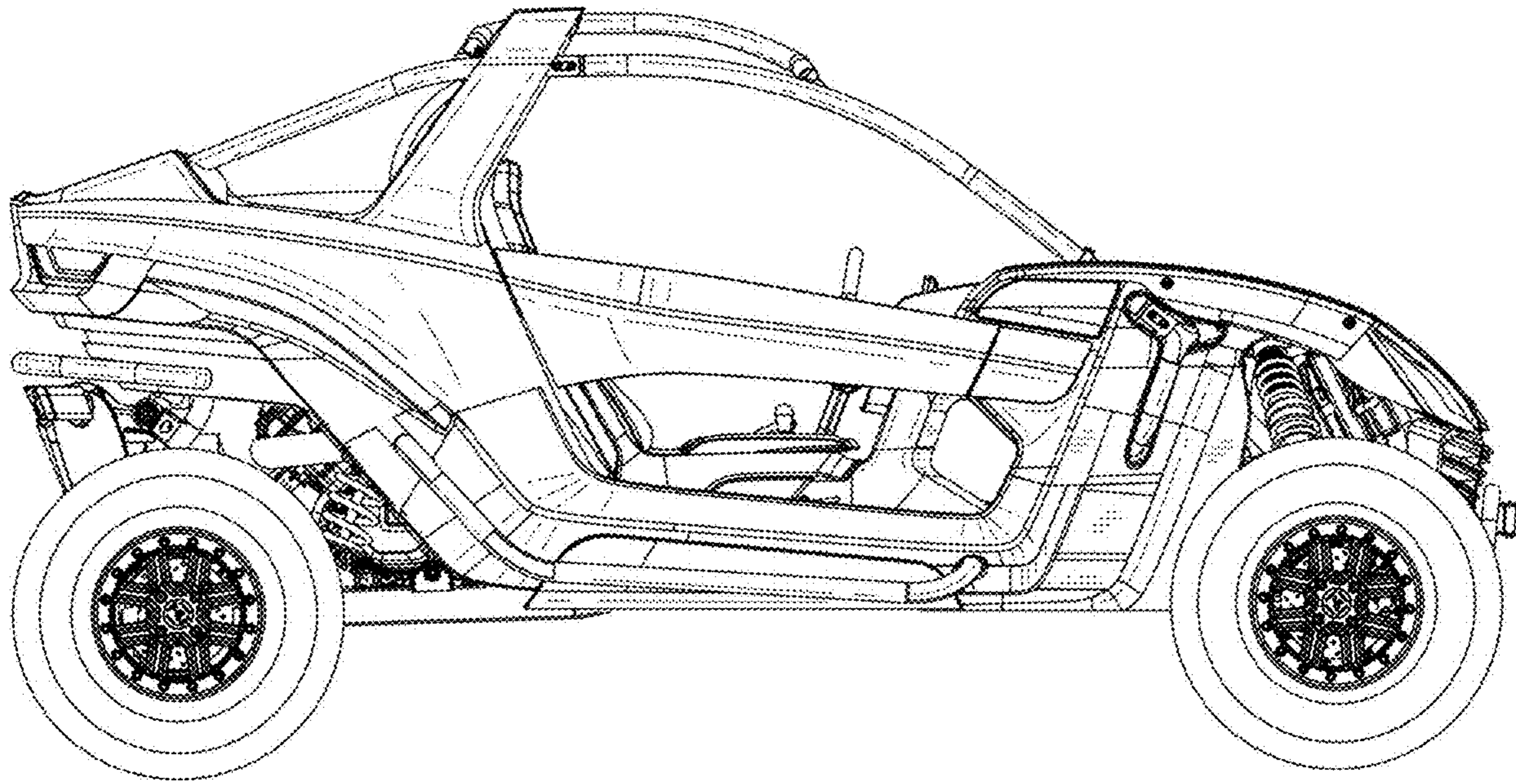
CN 300784524 D 5/2008
CN 301214585 S 5/2010
CN 301245397 S 6/2010
CN 301384656 S 11/2010
CN 303640029 S 4/2016
KR 30-0932932 S 11/2017

* cited by examiner

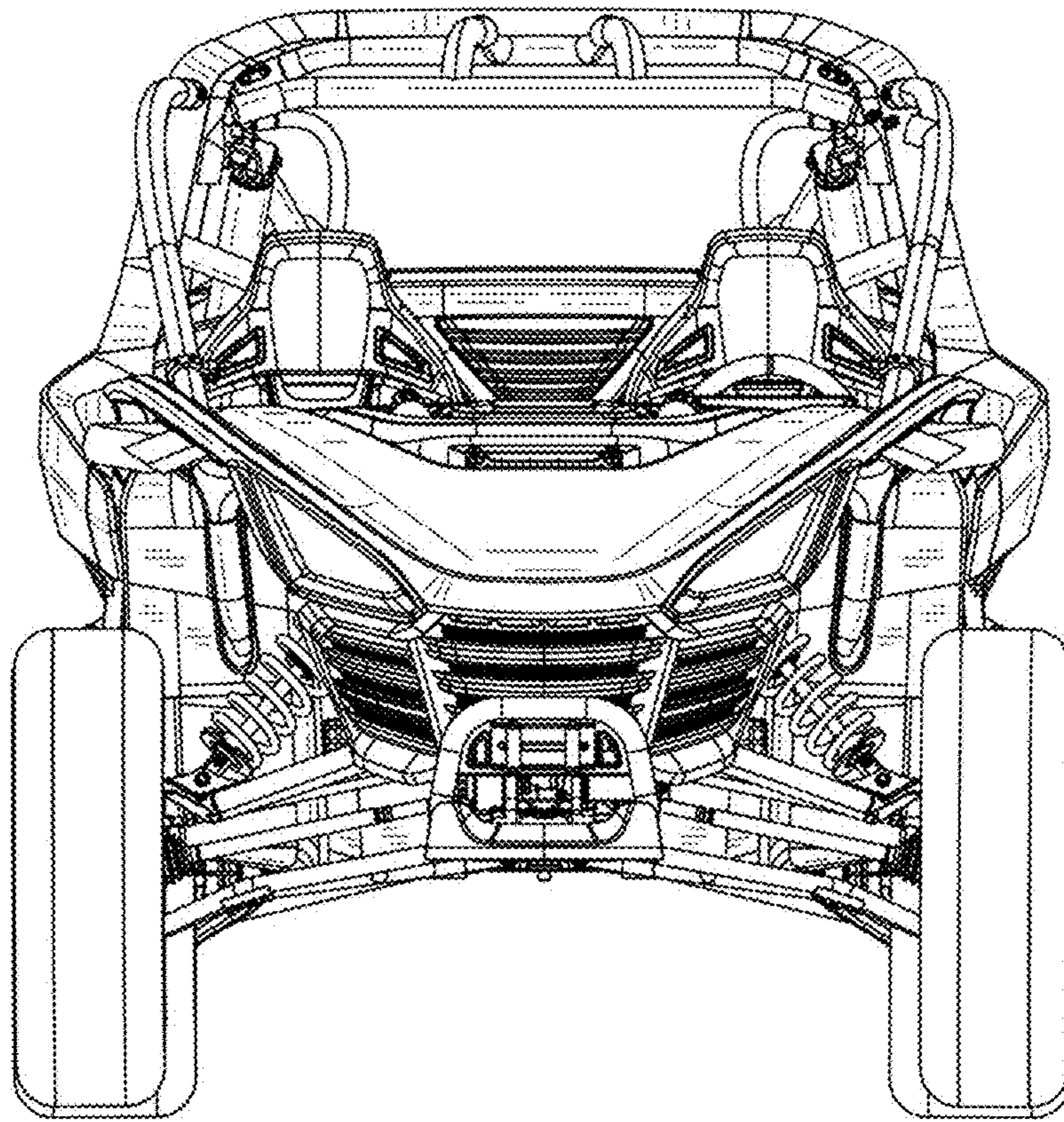
1.1



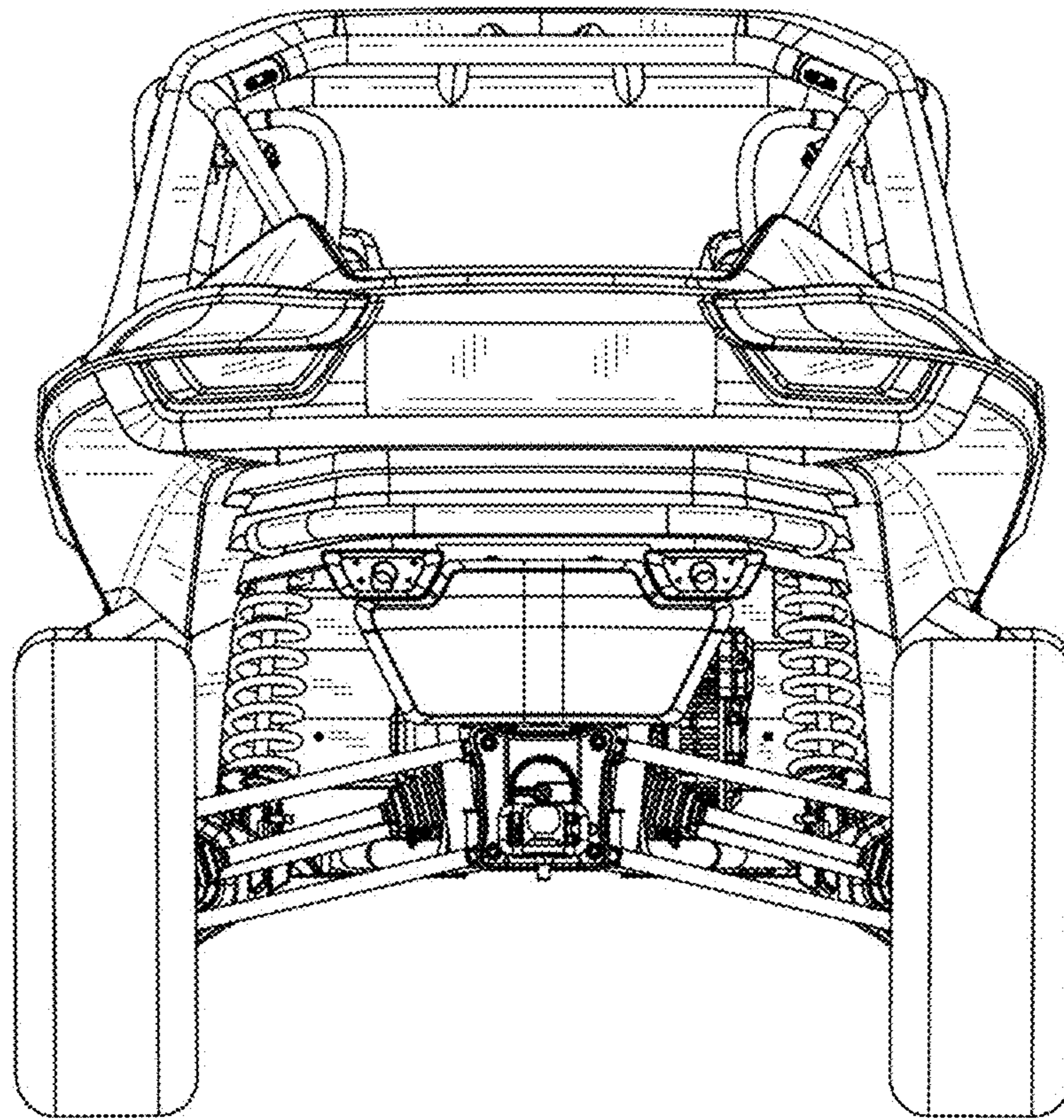
1.2



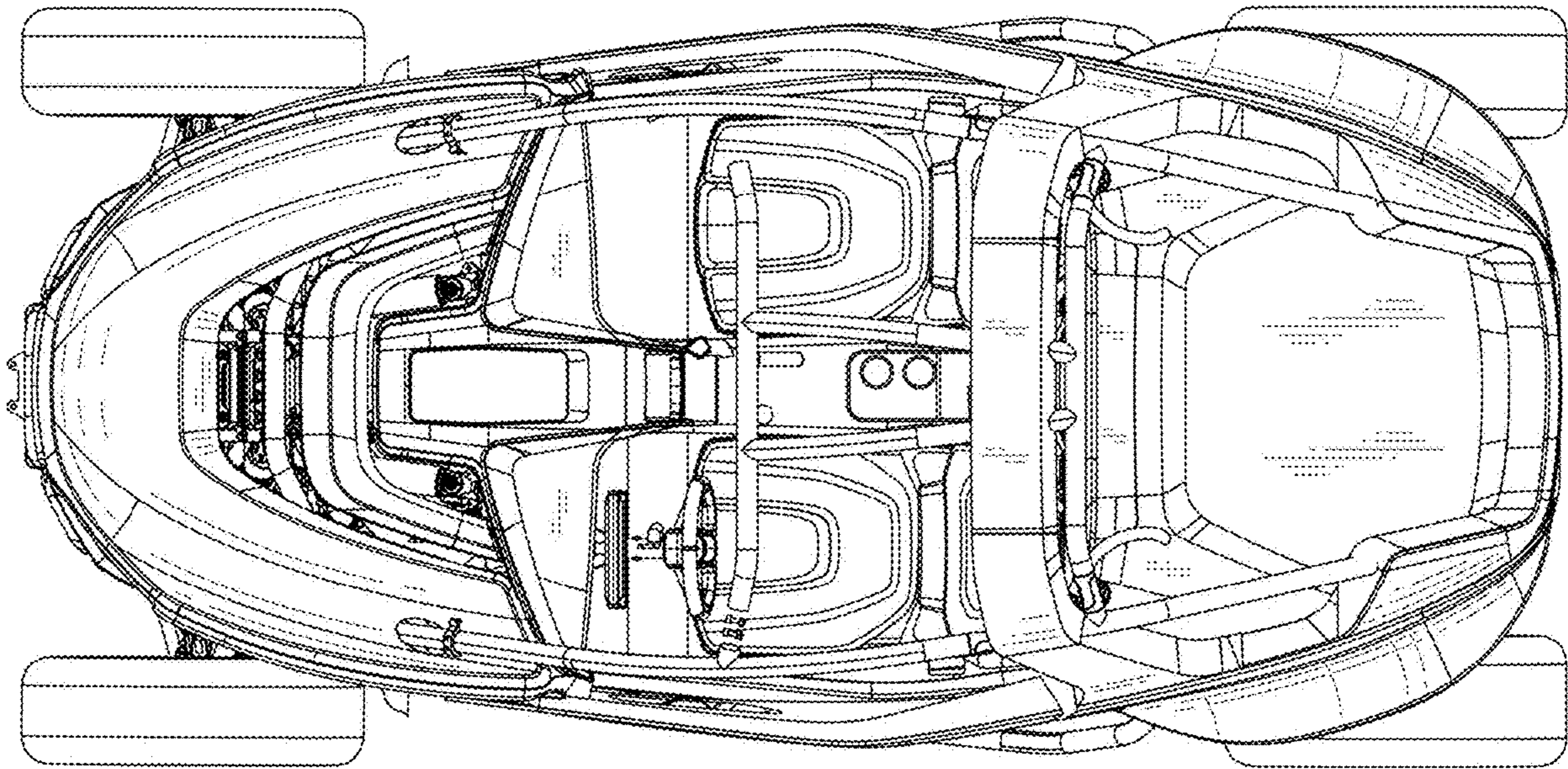
1.3



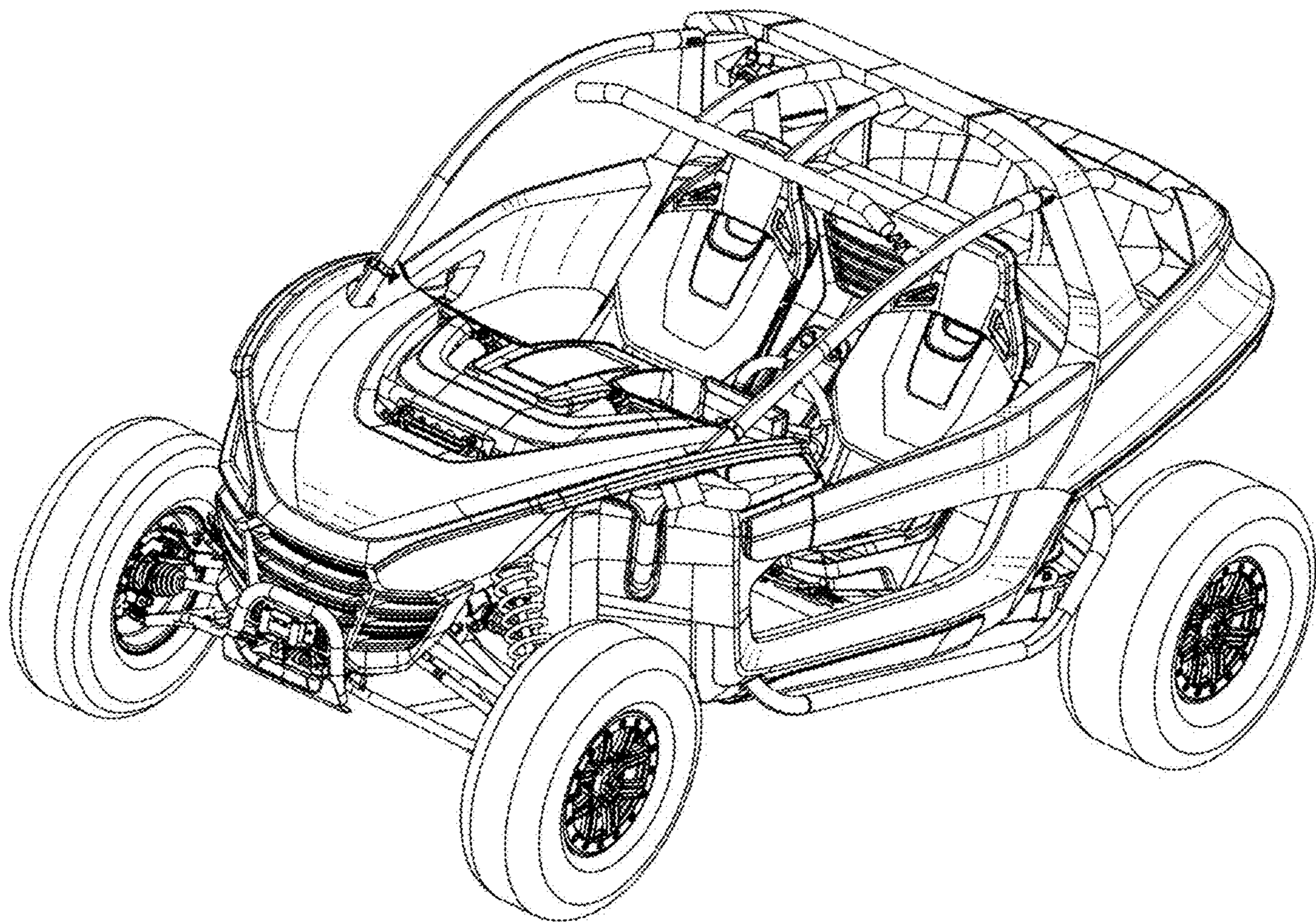
1.4



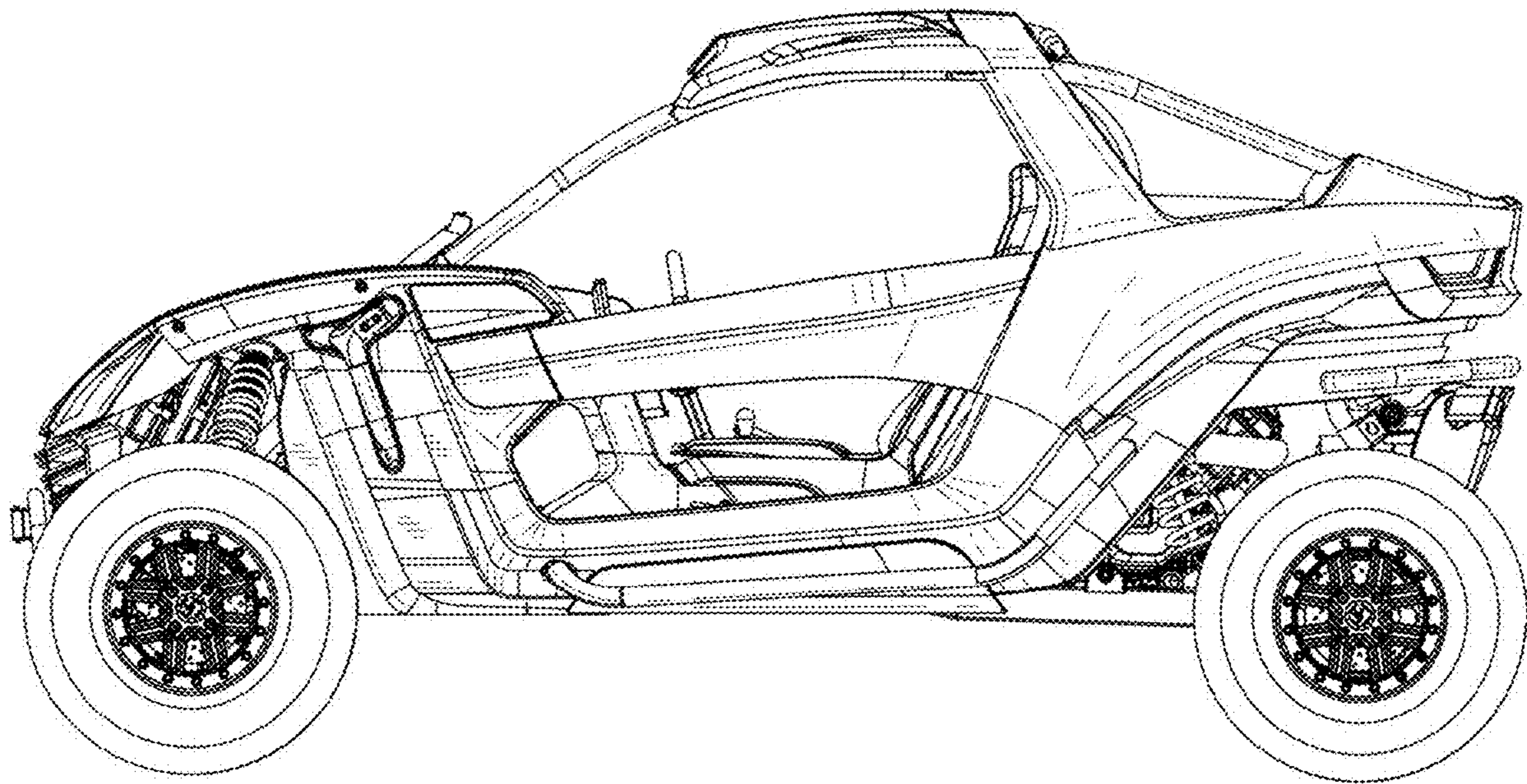
1.5



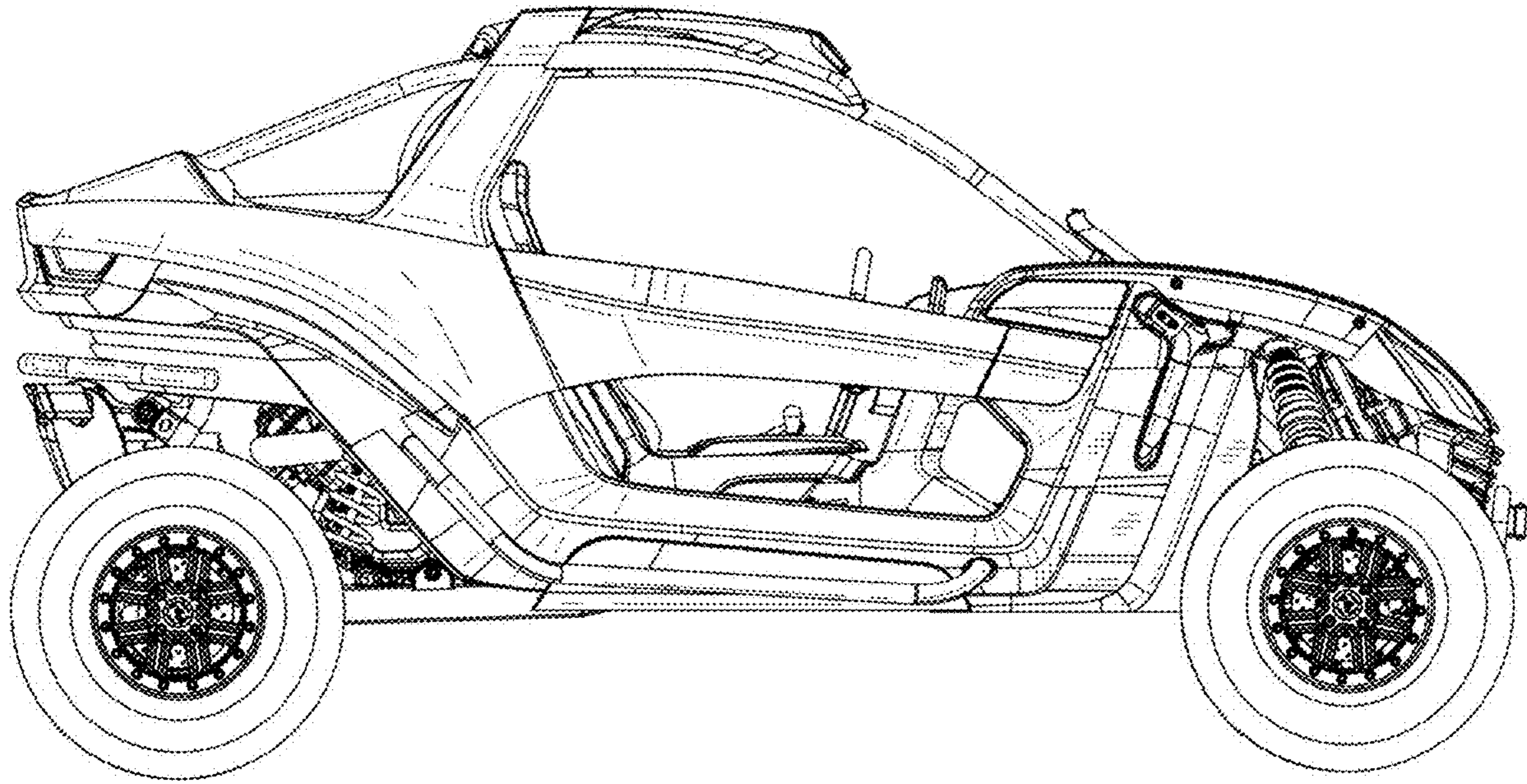
1.6



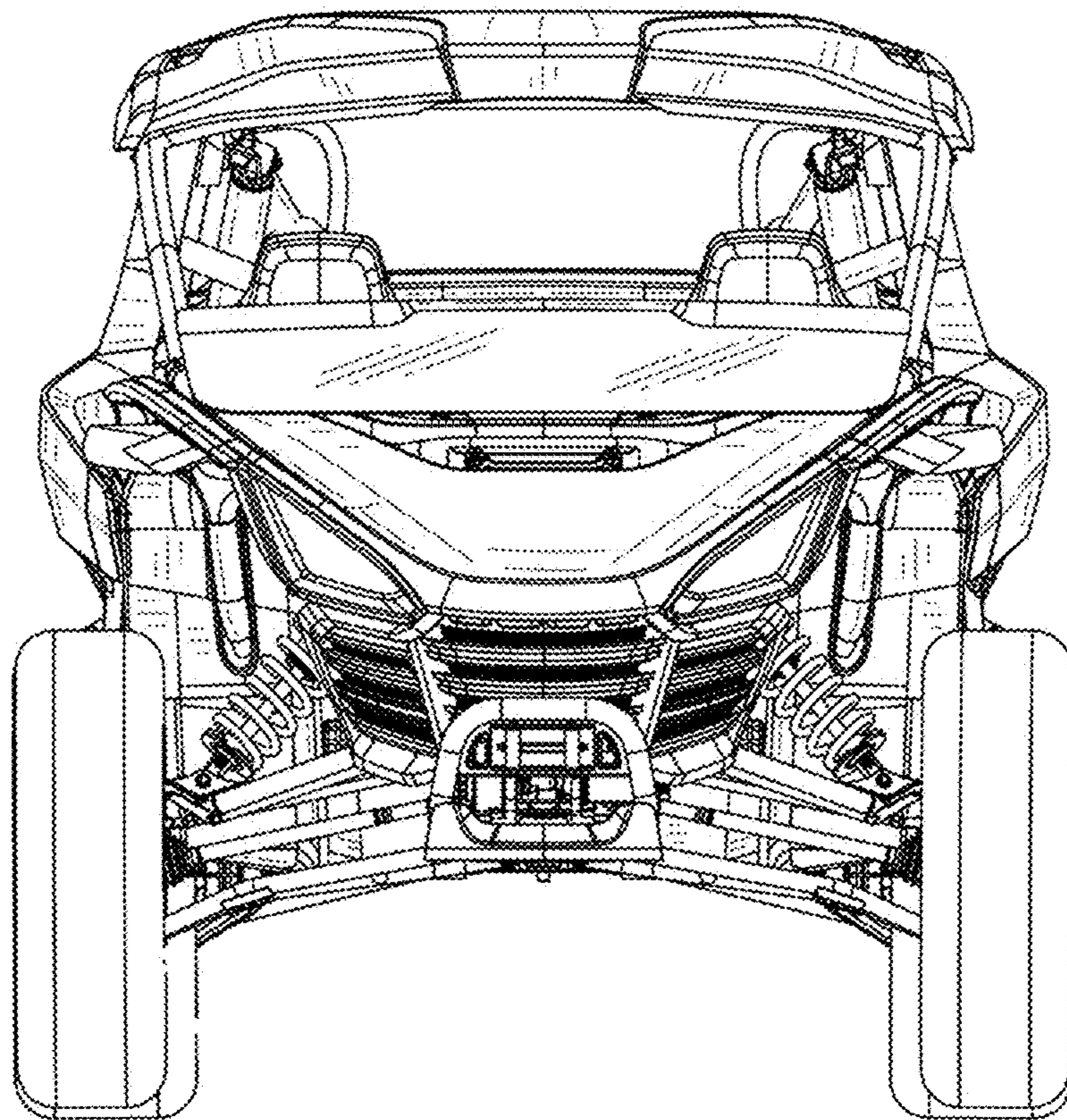
3.1



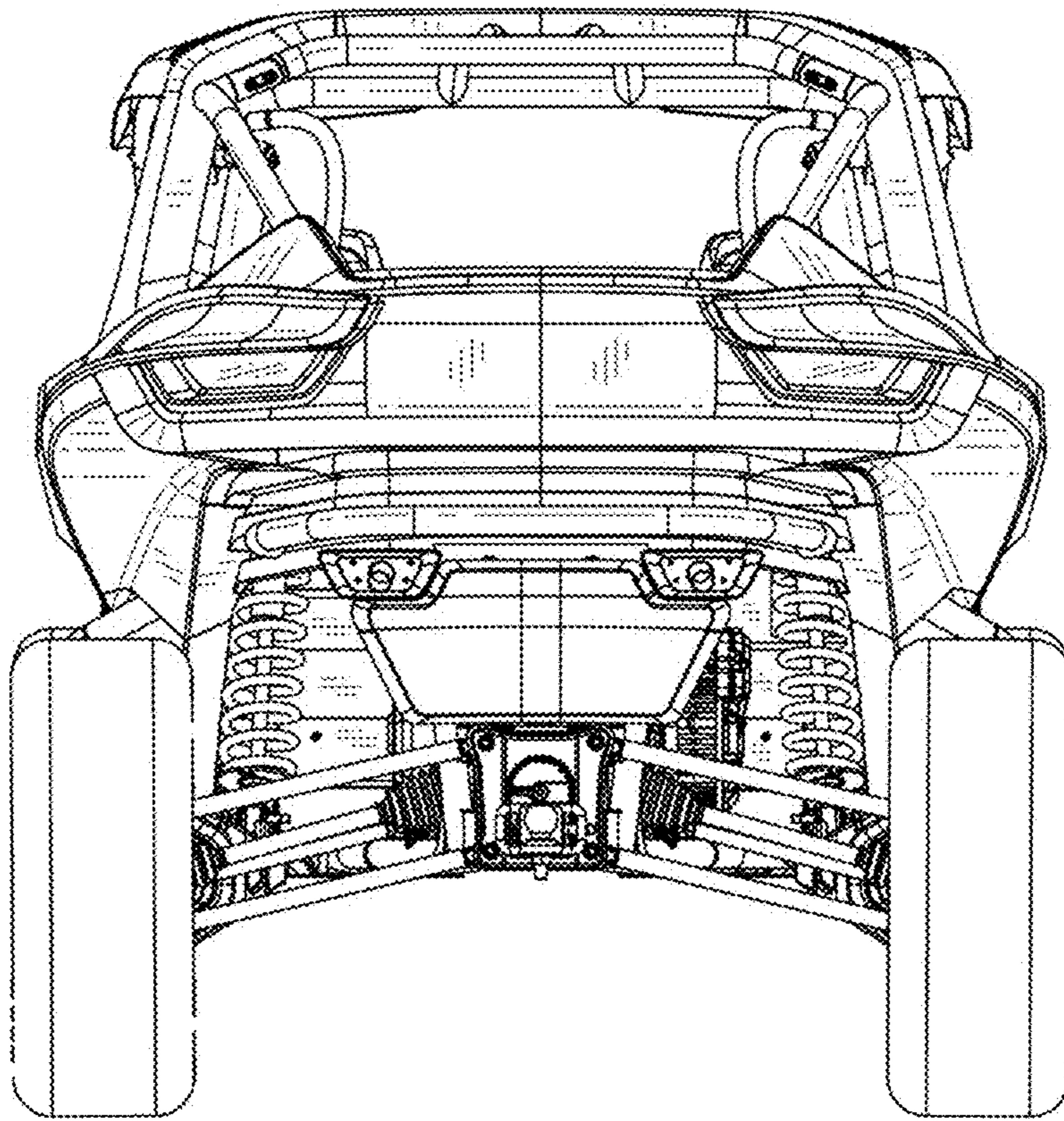
3.2

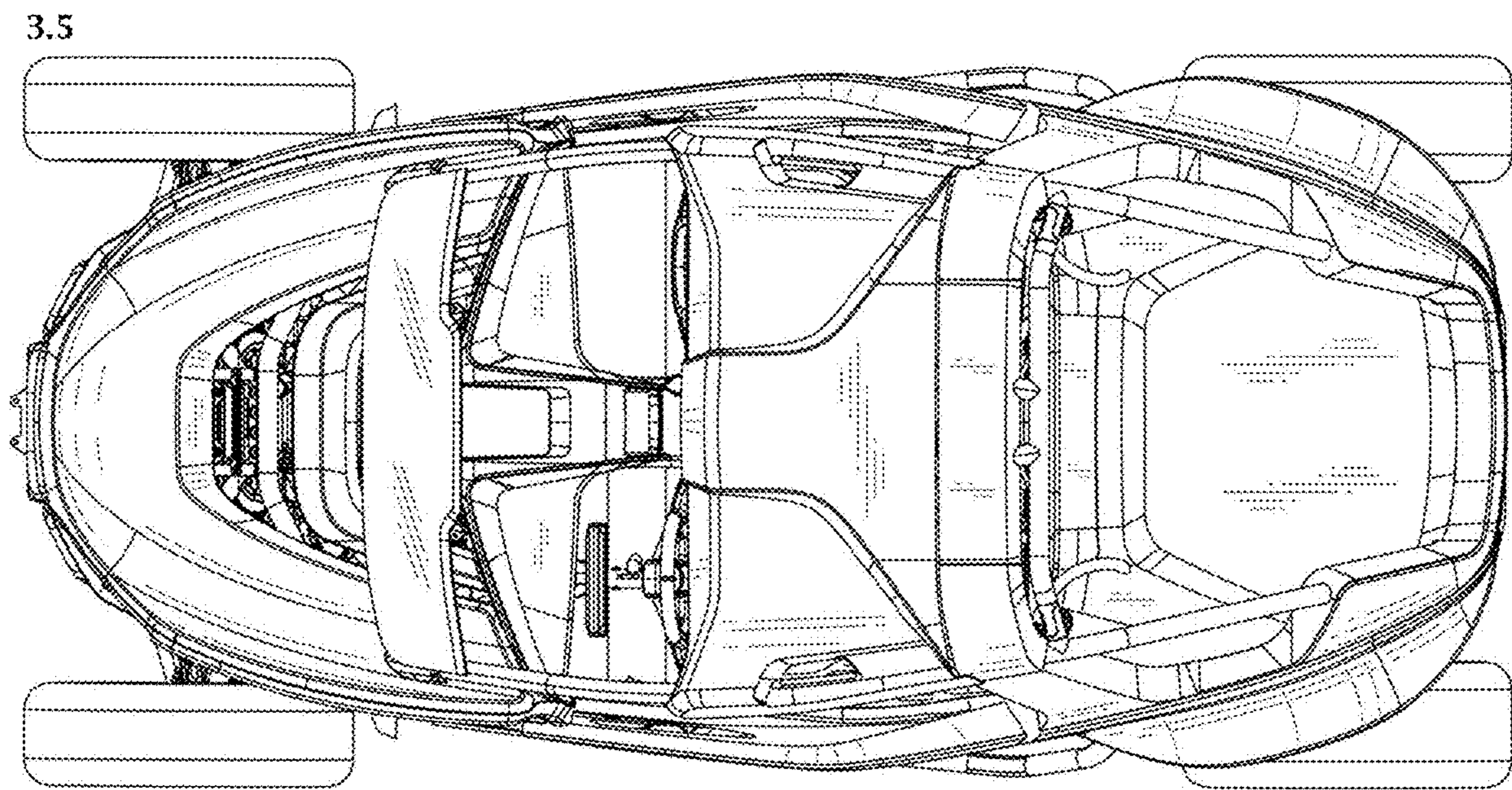


3.3



3.4





3.6

