



US00D957989S

(12) **United States Design Patent** (10) **Patent No.:** **US D957,989 S**
Kim et al. (45) **Date of Patent:** **** Jul. 19, 2022**

(54) **VEHICLE HEADLAMP**
(71) Applicant: **Canoo Technologies Inc.**, Torrance, CA (US)
(72) Inventors: **Richard Kim**, Los Angeles, CA (US); **Jackson E. Luttig**, Rancho Palos Verdes, CA (US); **Brian E. Spencer**, Lakewood, CA (US); **Noah Hammersten**, Studio City, CA (US); **Brian Oh**, Rancho Palos Verdes, CA (US)

D274,637 S 7/1984 Terui et al.
D457,467 S 5/2002 Shimizu
D800,017 S 10/2017 Sapet
D832,742 S 11/2018 Fisker
D839,784 S 2/2019 Sugawara et al.
D860,862 S 9/2019 Janin
D875,185 S 2/2020 Zeng
10,769,940 B2 9/2020 Hur
10,821,776 B1 11/2020 Labadie et al.
10,829,145 B2 11/2020 Washnock et al.
10,870,361 B2 12/2020 Hara et al.
10,951,044 B2 3/2021 Choi et al.
10,959,892 B2 3/2021 Kamada et al.

(Continued)

(73) Assignee: **Canoo Technologies Inc.**, Torrance, CA (US)

(**) Term: **15 Years**

(21) Appl. No.: **29/801,415**

(22) Filed: **Jul. 28, 2021**

Related U.S. Application Data

(62) Division of application No. 29/742,026, filed on Sep. 24, 2019, now Pat. No. Des. 941,184.

(51) **LOC (13) Cl.** **12-08**

(52) **U.S. Cl.**
USPC **D12/86**

(58) **Field of Classification Search**
USPC D26/28, 29, 30, 31, 32, 33, 34, 35, 36,
D26/44; D12/86, 90-92, 114, 163, 169,
D12/171-173, 181, 190, 196, 197, 199,
D12/400
CPC F21S 41/25; F21S 41/143; F21S 41/365;
F21S 41/255; F21Y 2115/10; F21V
14/02; F21W 2102/13

See application file for complete search history.

(56) **References Cited**

U.S. PATENT DOCUMENTS

D238,799 S 2/1976 Goldfarb et al.
D262,391 S 12/1981 Kanaoki

OTHER PUBLICATIONS

Headlamps.). (Design—© Questel) orbit.com. [Online PDF compilation of references] 72 pgs. Print Dates Range Dec. 3, 2020-Jul. 3, 2021 [Retrieved Jan. 18, 2022].*

(Continued)

Primary Examiner — Manpreet S Matharu
Assistant Examiner — Suzanne E Tisdell

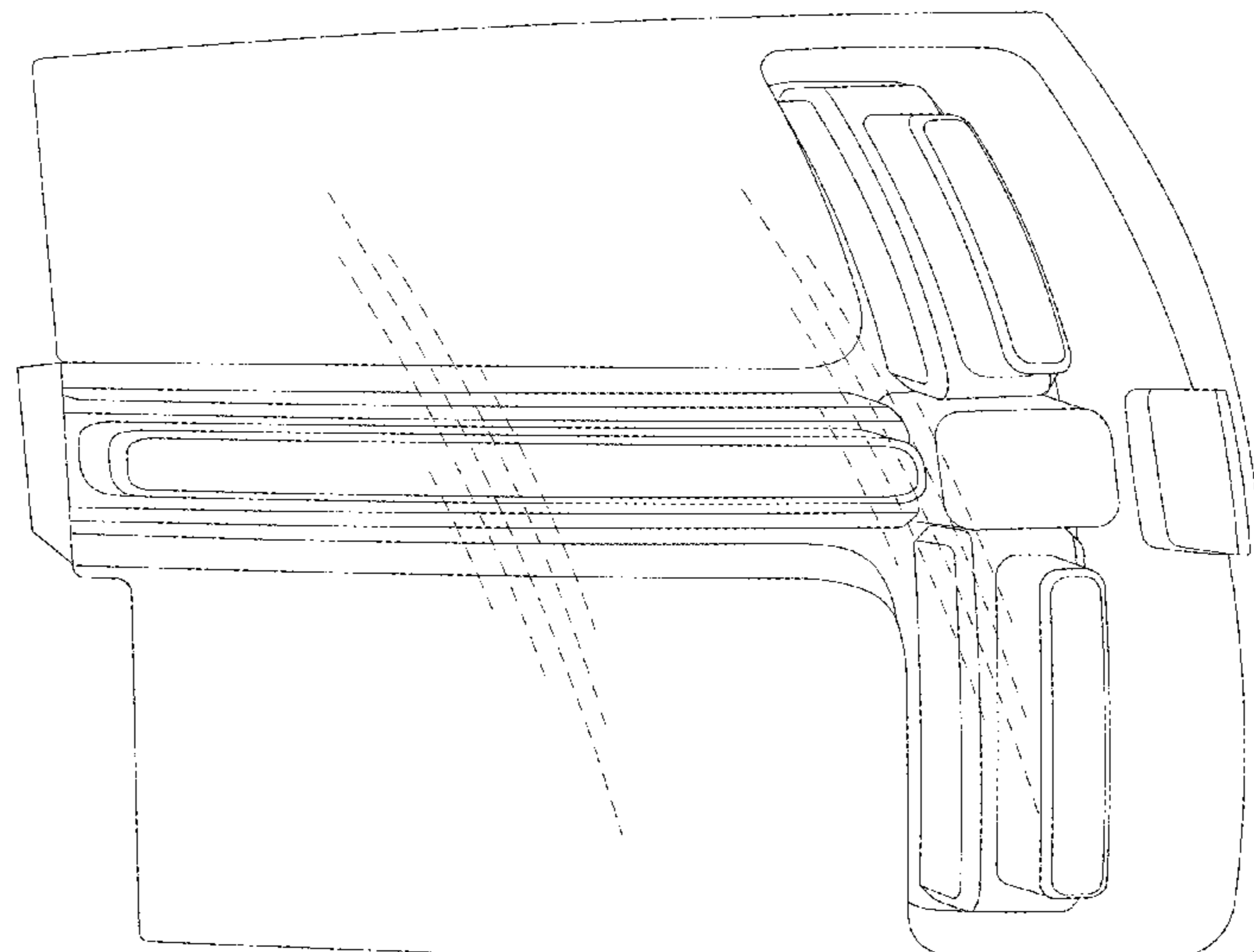
(57) **CLAIM**

The ornamental design for a vehicle headlamp, as shown and described.

DESCRIPTION

FIG. 1 is a perspective view of a vehicle headlamp, according to an embodiment of the invention.
FIG. 2 is a front view thereof.
FIG. 3 is a side view thereof; and,
FIG. 4 is top view thereof.
Mirror images of the views are within the scope of the claimed design even if not illustrated.
Features shown in broken lines do not form part of the claimed design.

1 Claim, 4 Drawing Sheets



(56)

References Cited

U.S. PATENT DOCUMENTS

10,974,582 B2 4/2021 Hara
 10,983,199 B2 4/2021 Adams et al.
 D920,544 S * 5/2021 Kim D26/28
 D920,545 S * 5/2021 Mack D26/28
 D920,548 S * 5/2021 Park D26/28
 D920,549 S * 5/2021 Park D26/28
 11,034,254 B2 6/2021 Booth et al.
 11,040,609 B2 6/2021 Hara et al.
 D927,738 S * 8/2021 Noguchi D26/28
 D928,996 S * 8/2021 Chen D26/28
 D930,859 S * 9/2021 Park D26/28
 2015/0369445 A1 * 12/2015 Orr F21S 45/60
 362/516
 2019/0143878 A1 * 5/2019 Hasagic B60Q 1/04
 362/520
 2021/0048162 A1 * 2/2021 Jo F21S 41/151
 2021/0317966 A1 * 10/2021 Qiu F21S 41/365
 2021/0341121 A1 * 11/2021 Conway B60Q 1/06
 2021/0348734 A1 * 11/2021 Bertken F21S 41/25

OTHER PUBLICATIONS

Halvorson, Bengt. Canoo won't let you buy the EVs they're developing for 2021 and beyond. Sep. 25, 2019. Green Car Reports.

https://www.greencarreports.com/news/1125207_canoo-won-t-let-you-buy-the-evs-they-re-developing-for-2021-and-beyond.
 Billington, Francesca. Canoo's Wall Street Debut Was Worse Than Expected. Dec. 22, 2020. dot.la. <https://dot.la/canoo-spac-ipo-2649624038.html>.
 Edelstein, Stephen. Jay Leno drives Canoo's subscription-only electric van. Jul. 7, 2020. Green Car Reports. https://www.greencarreports.com/news/1128759_jay-leno-drives-canoo-s-subscription-only-electric-van.
 "Electric Vehicle. (Design—© Questel) orbit.com. [Online PDF compilation of references] 49 pgs. Print Dates Range Jan. 20, 2021-Mar. 28, 2019 [Retrieved Jun. 29, 2021]".
 Reynolds, Kim. "The Canoo Electric Car: 6 Thoughts After Visiting the EV Startup." Aug. 17, 2019. Motor Trend. <https://www.motortrend.com/news/canoo-electric-car-6-thoughts-ev-startup/>.
 Abuelsamid, Sam. "Introducing Canoo, No Paddles Required for This Electric Van." Sep. 24, 2019. Forbes. https://www.forbes.com/sites/samabuelsamid/2019/09/24/introducing-canoo-no-paddles-required-for-this-electric-van/sh?_a231b27641d.
 OKane, Sean. "Canoo's First Subscription-Only EV is a Refreshing Rethink of the VW Microbus." Sep. 24, 2019. The Verge. <https://www.theverge.com/2019/9/24/20882538/canoo-evelozcity-ev-subscription-electric-vehicle>.

* cited by examiner

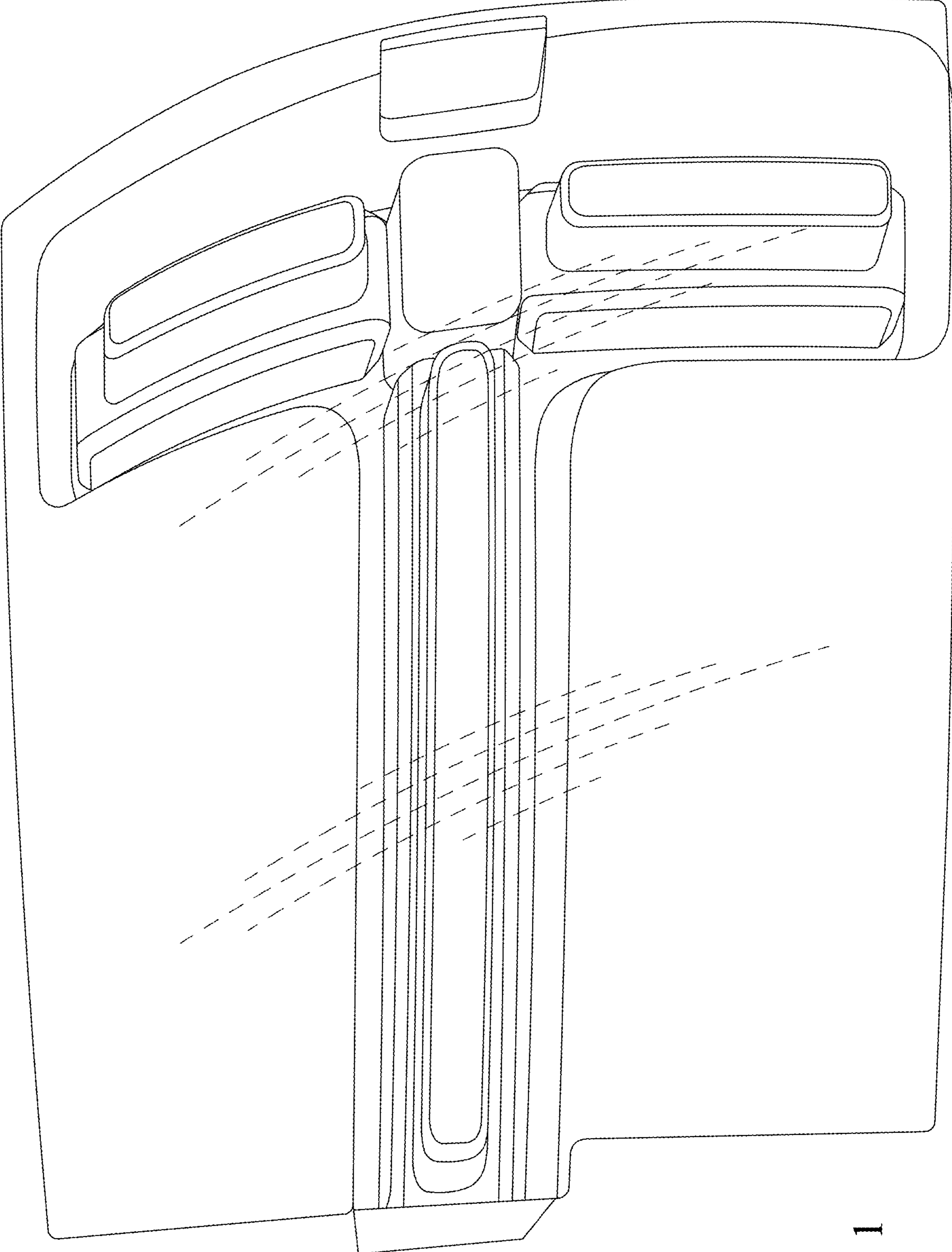


FIG. 1

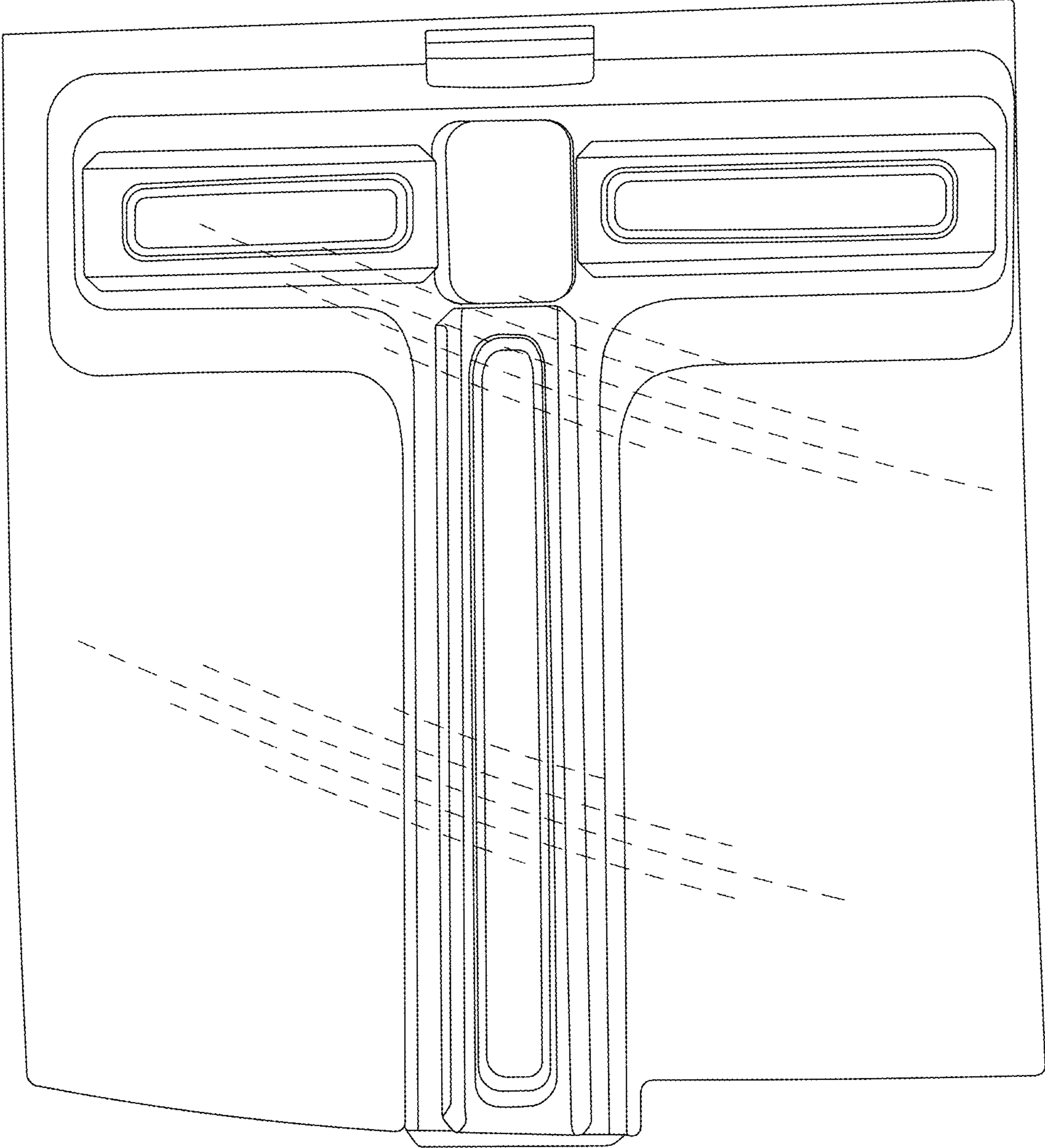


FIG. 2

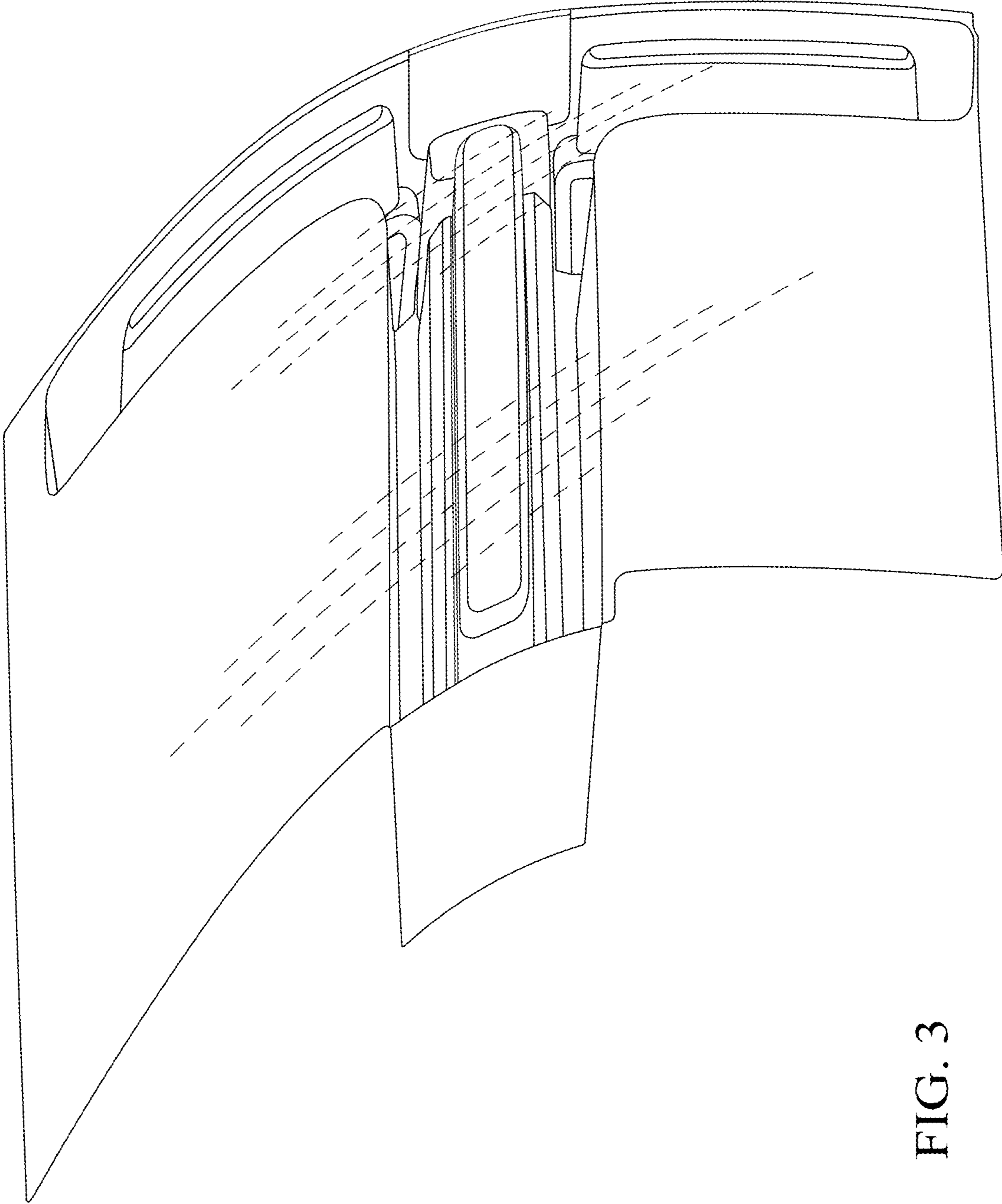


FIG. 3

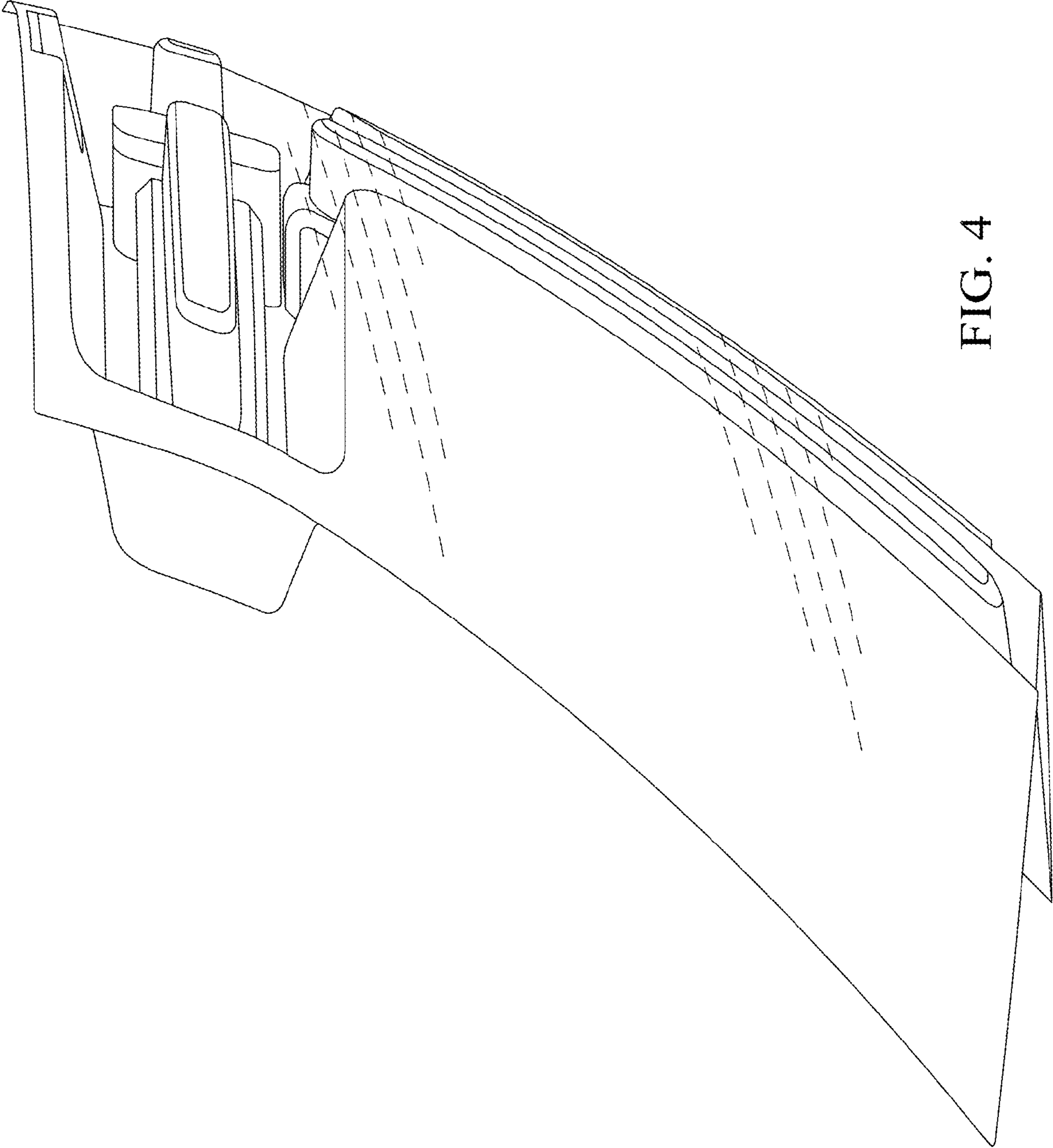


FIG. 4