



US00D957986S

(12) **United States Design Patent** (10) **Patent No.:** **US D957,986 S**  
**Huang** (45) **Date of Patent:** **\*\* Jul. 19, 2022**

(54) **GARDEN FLAG HOLDER STAND WITH SHEPHERD HOOK**  
(71) Applicant: **SHENZHEN YAYOUHUI INTERNATIONAL FREIGHT FORWARDING CO., LTD.**, Shenzhen (CN)  
(72) Inventor: **Yuanda Huang**, Shenzhen (CN)  
(73) Assignee: **SHENZHEN YAYOUHUI INTERNATIONAL FREIGHT FORWARDING CO., LTD.**, Shenzhen (CN)

7,128,127 B1 \* 10/2006 Love ..... G09F 17/00 40/607.01  
D578,442 S 10/2008 Oakley  
D710,620 S \* 8/2014 Staton ..... D6/315  
D743,840 S 11/2015 Digenakis  
9,390,640 B1 \* 7/2016 Coleman ..... G09F 17/00  
D784,119 S \* 4/2017 Brooks ..... D8/367  
D804,294 S \* 12/2017 Bian ..... D8/367  
D814,909 S \* 4/2018 Lawson ..... D8/367  
D847,617 S \* 5/2019 Brooks ..... D8/367  
D950,141 S \* 4/2022 Dong ..... D8/367  
D952,448 S \* 5/2022 Yang ..... D8/367

(Continued)

**OTHER PUBLICATIONS**

Joyseus Garden Flag Holder Stand and Shepherd Hook [online], [site visited May 25, 2022]. Available from internet, URL: <https://www.amazon.com/JOYSEUS-Garden-Shepherd-Resistant-Without/dp/B0978HF9BN> (Year: 2021).\*

*Primary Examiner* — Cynthia Ramirez  
*Assistant Examiner* — Xavier Marti-Santos

(\*\*) Term: **15 Years**  
(21) Appl. No.: **29/807,470**  
(22) Filed: **Sep. 12, 2021**  
(51) **LOC (13) Cl.** ..... **11-05**  
(52) **U.S. Cl.**  
USPC ..... **D11/181; D8/367**  
(58) **Field of Classification Search**  
USPC ..... D6/315–328; D8/373, 367, 376, 380; D11/165, 166, 171, 181, 182, 183, 184  
CPC ..... A47G 25/1407; A47G 25/1457; A47G 25/26; A47G 25/28; A47G 25/30; A47G 25/32; A47G 25/34; A47G 25/36; A47G 25/38; A47G 25/442; A47G 25/625; A47G 25/743; A47G 2025/1492; G09F 17/00; G09F 2017/0008; G09F 2017/0025; G09F 2017/0041; G09F 2017/005; G09F 2017/0066; G09F 2017/0075; G09F 2017/0083  
See application file for complete search history.

(57) **CLAIM**

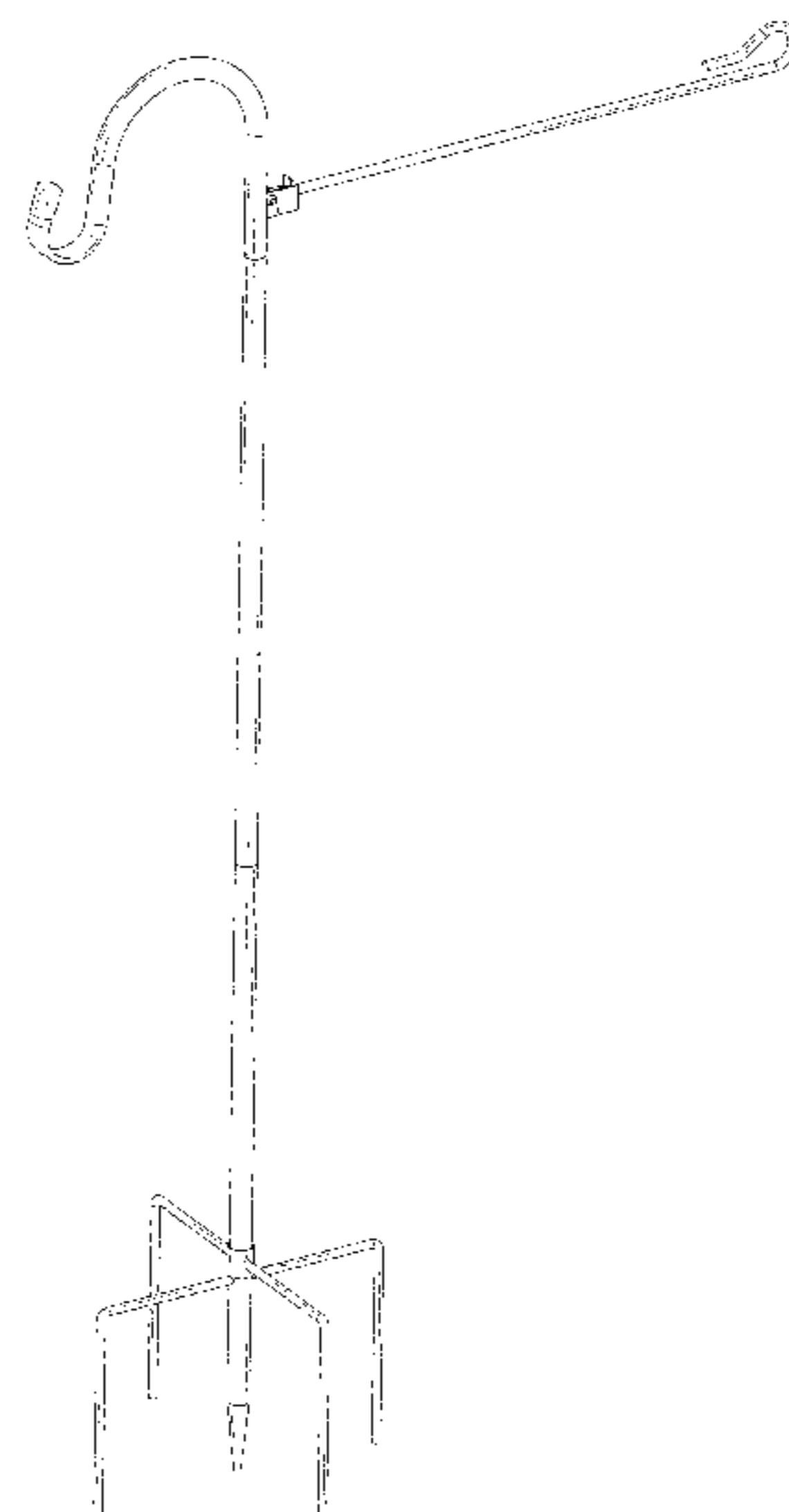
The ornamental design for a garden flag holder stand with shepherd hook, as shown and described.

**DESCRIPTION**

FIG. 1 is a perspective view of a garden flag holder stand with shepherd hook showing my new design; FIG. 2 is another perspective view thereof; FIG. 3 is a front elevational view thereof; FIG. 4 is a rear elevational view thereof; FIG. 5 is a left side elevational view thereof; FIG. 6 is a right side elevational view thereof; FIG. 7 is a top plan view thereof; and, FIG. 8 is a bottom plan view thereof.

**1 Claim, 8 Drawing Sheets**

(56) **References Cited**  
U.S. PATENT DOCUMENTS  
4,002,138 A \* 1/1977 Dobala ..... G09F 17/00 116/28 R  
6,015,122 A \* 1/2000 Qui ..... E01F 9/685 40/606.19



(56)

**References Cited**

U.S. PATENT DOCUMENTS

2009/0013921 A1\* 1/2009 Yun ..... G09F 17/00  
206/223  
2014/0014024 A1\* 1/2014 Schroeder ..... G09F 17/00  
116/173

\* cited by examiner

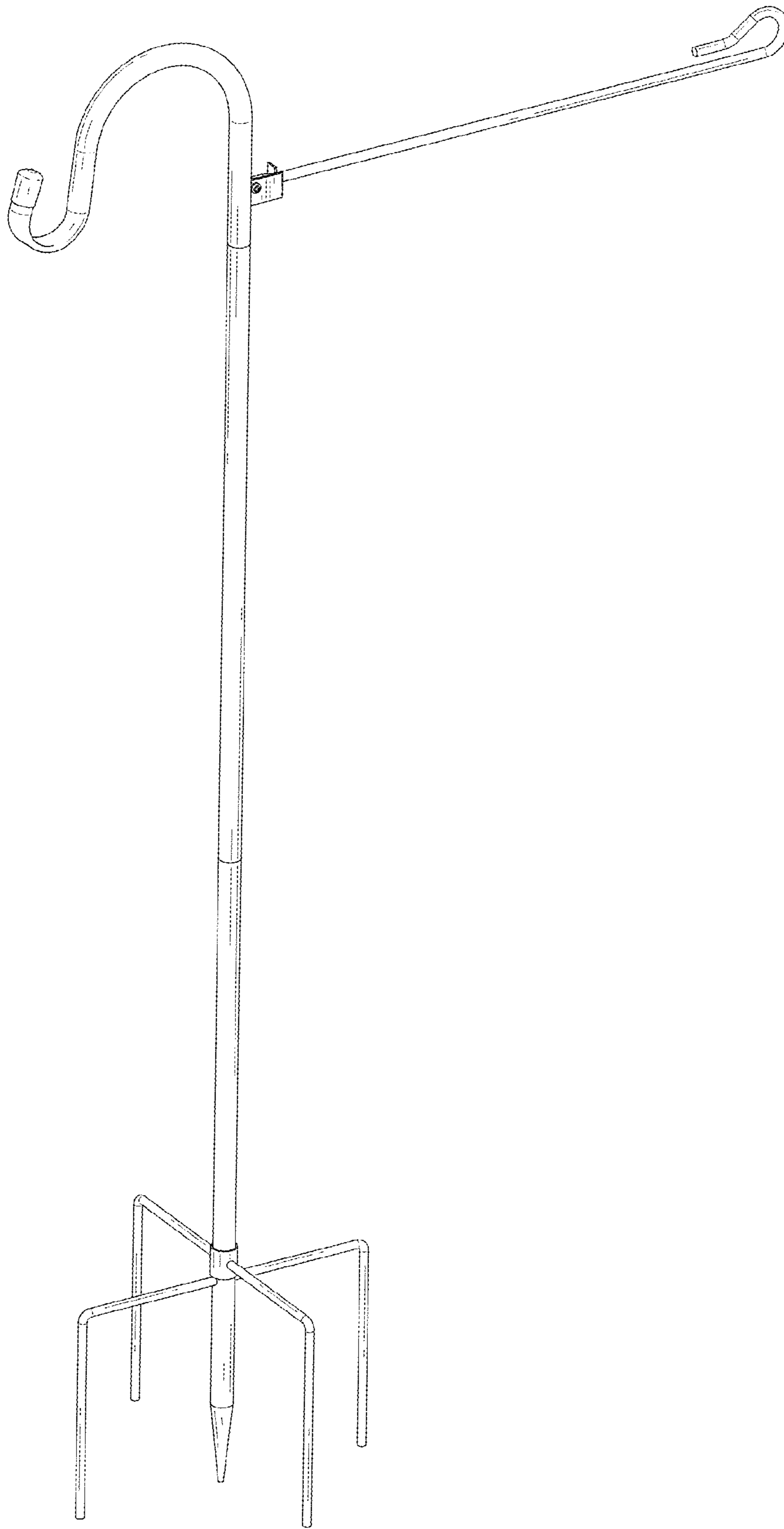


FIG. 1

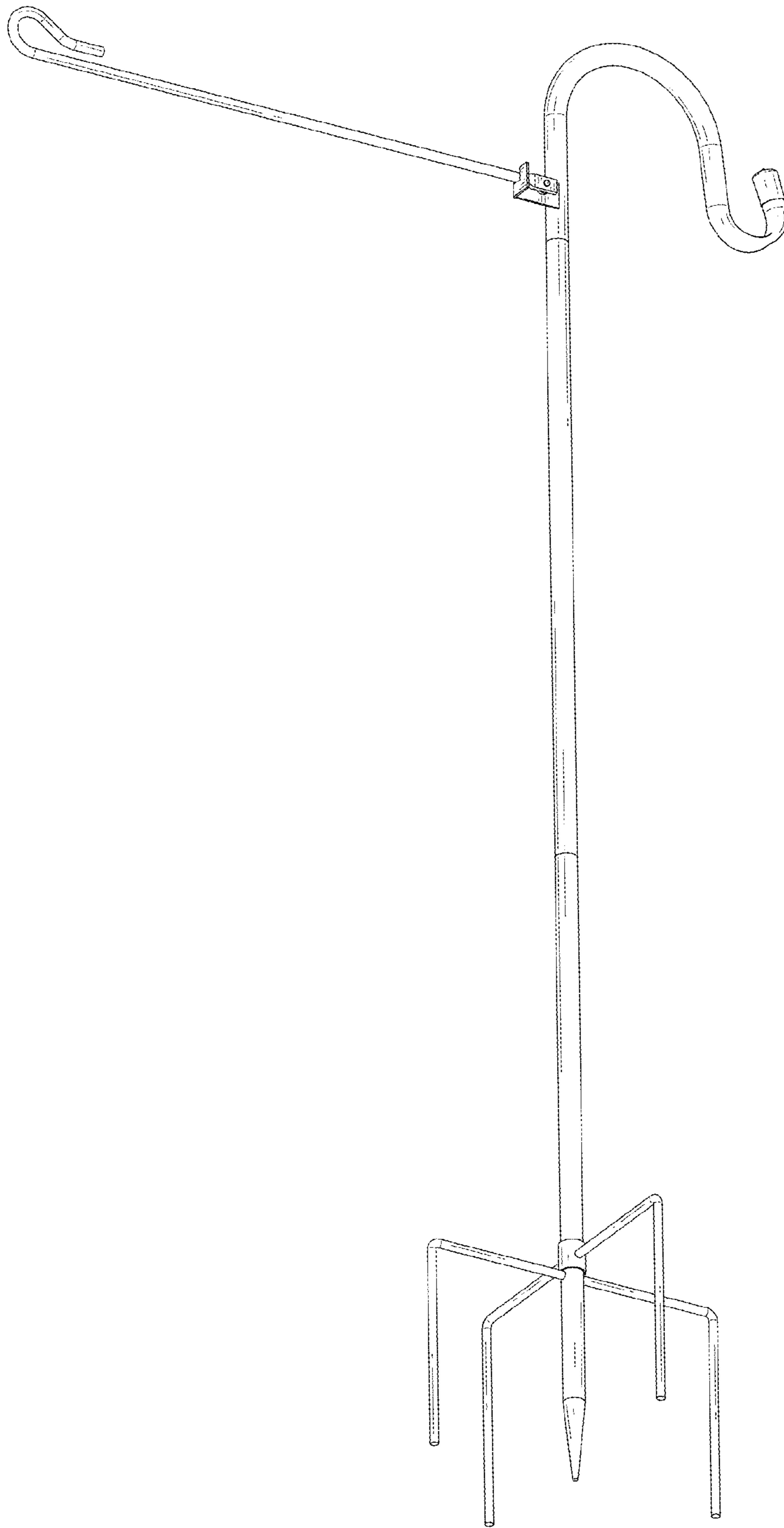


FIG. 2

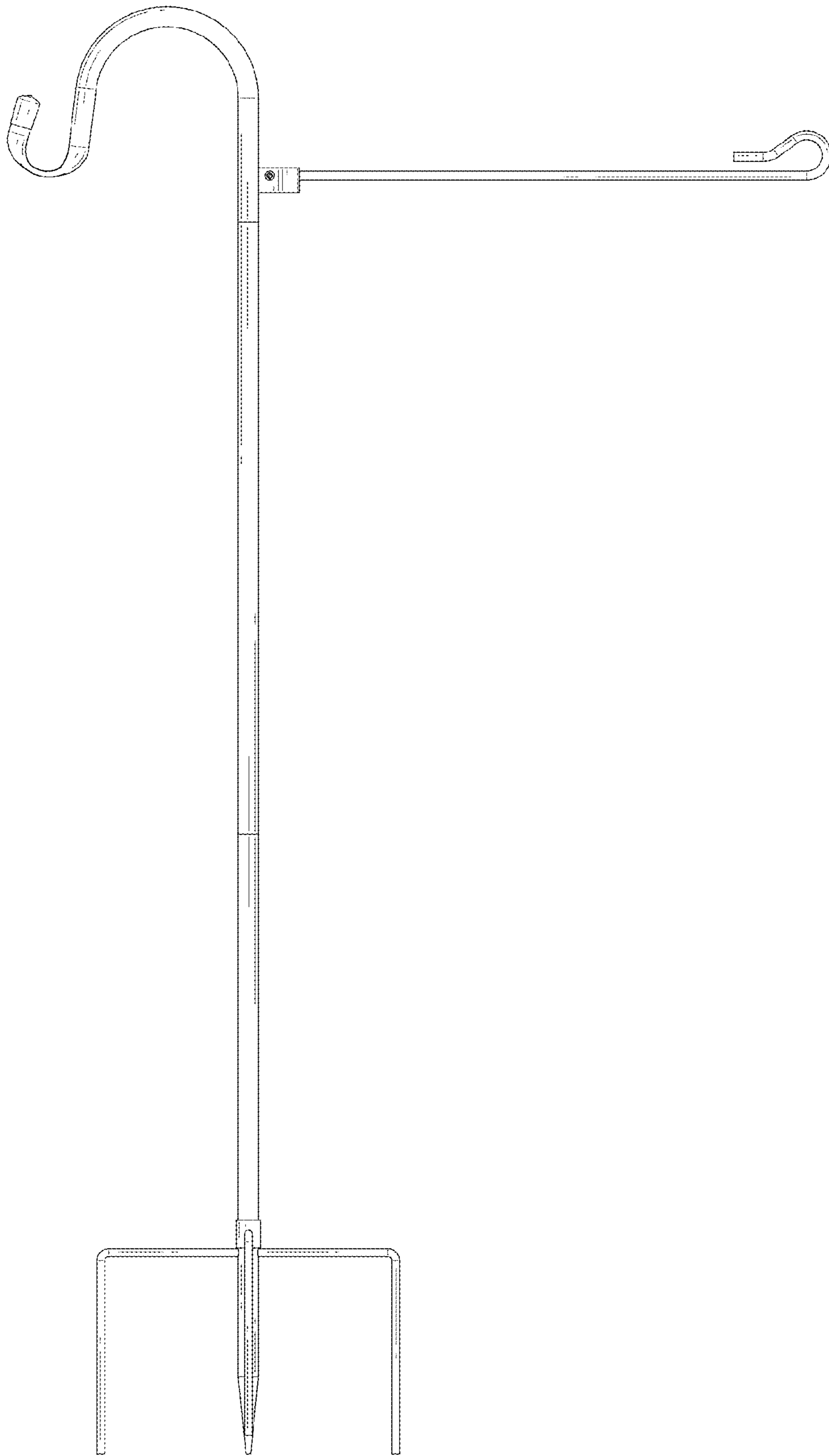


FIG. 3

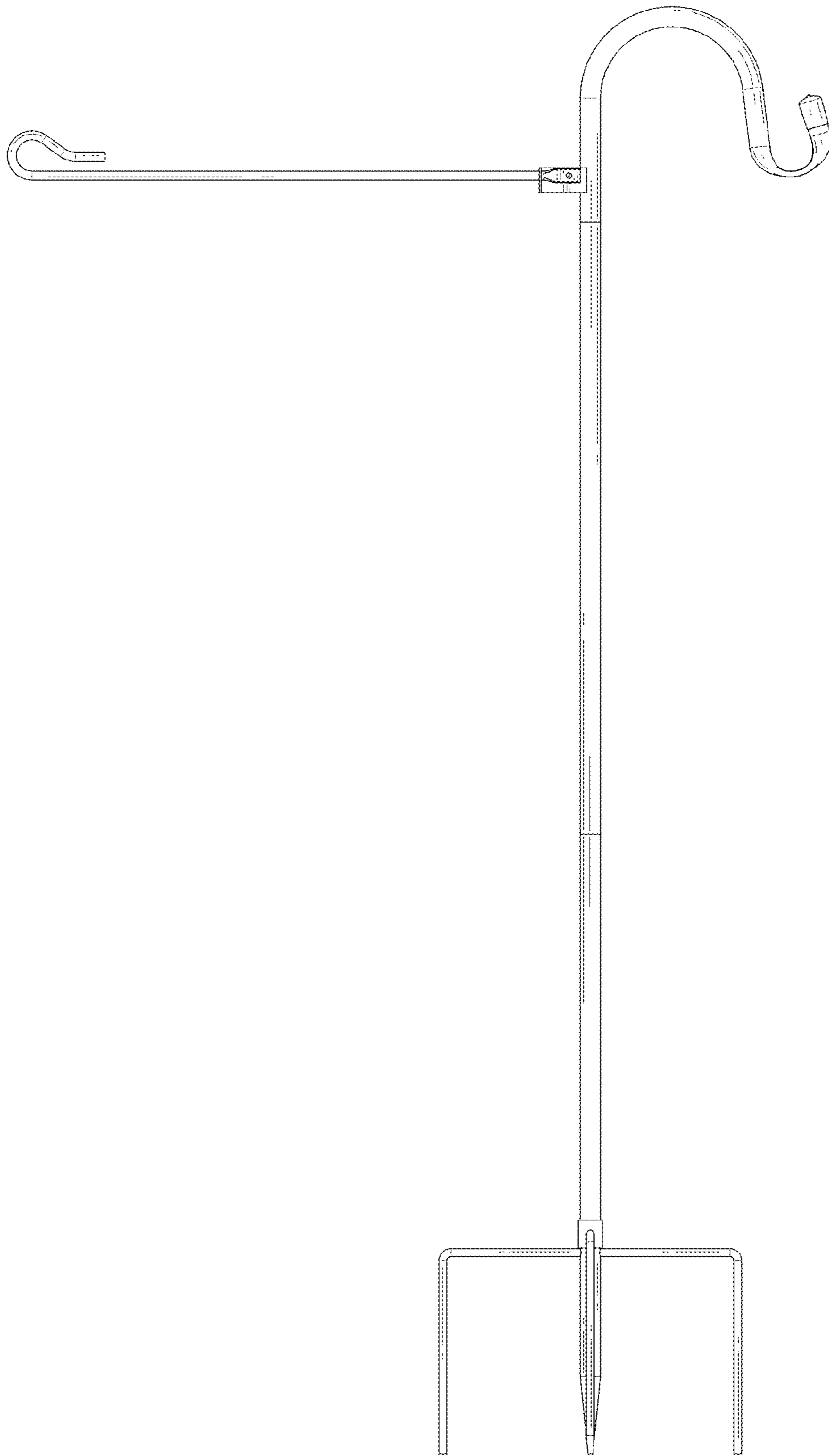


FIG. 4

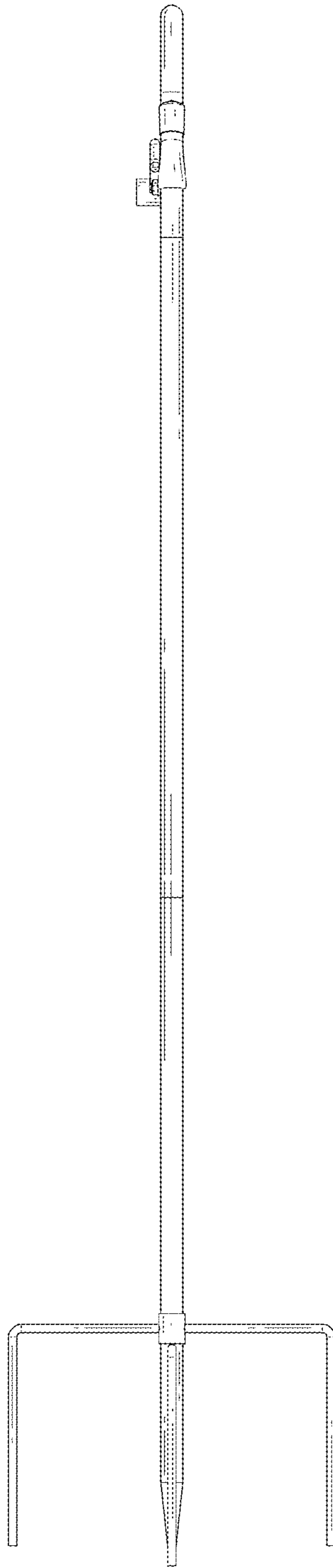


FIG. 5

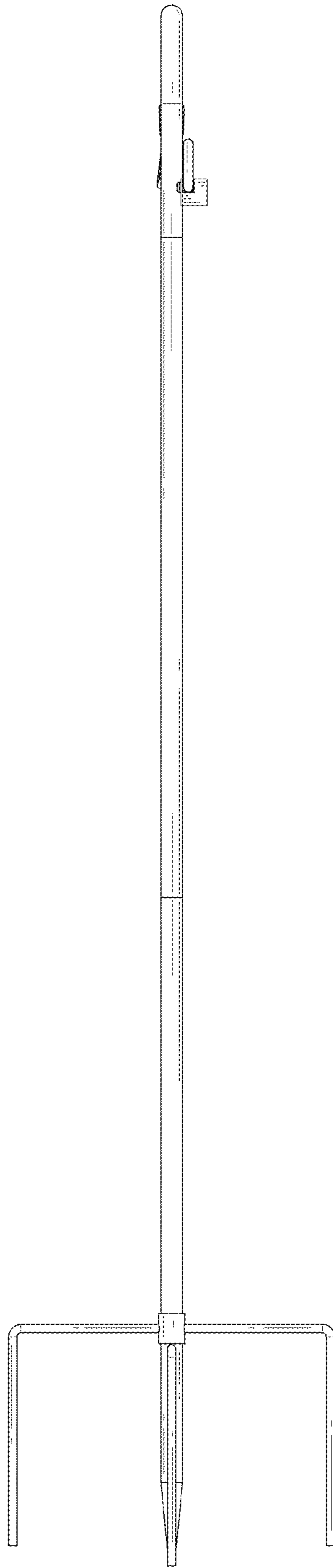


FIG. 6



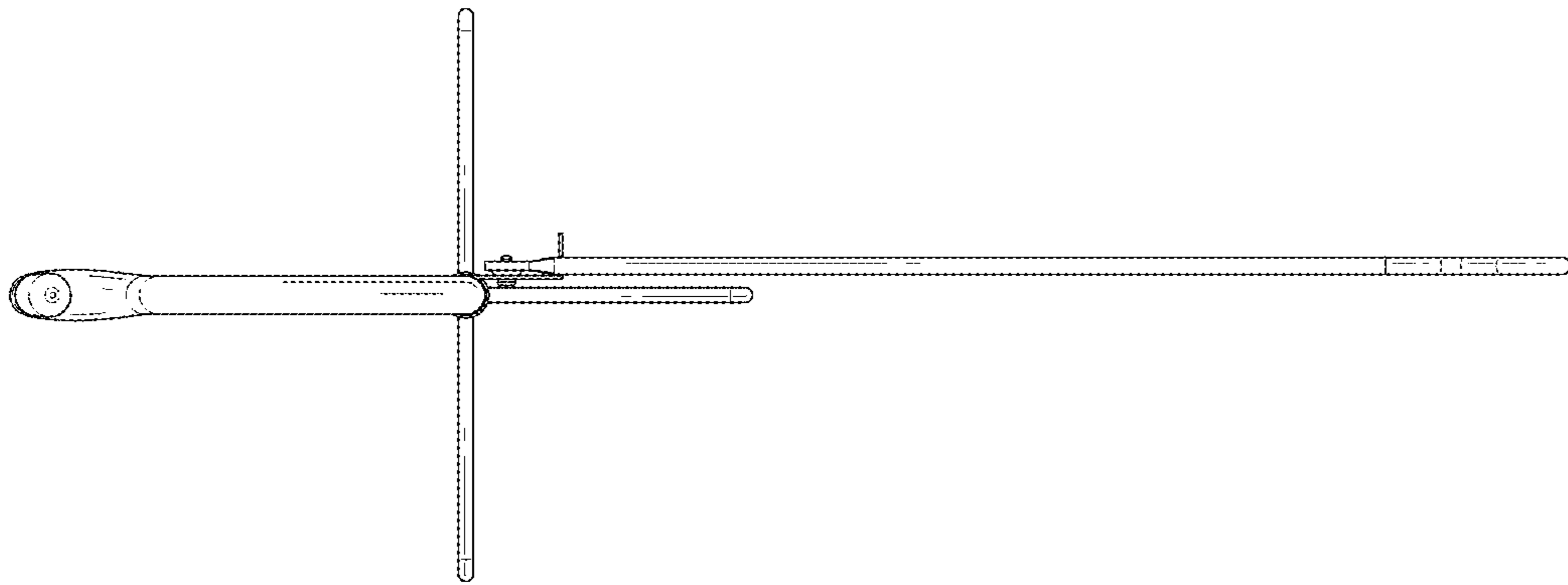


FIG. 7

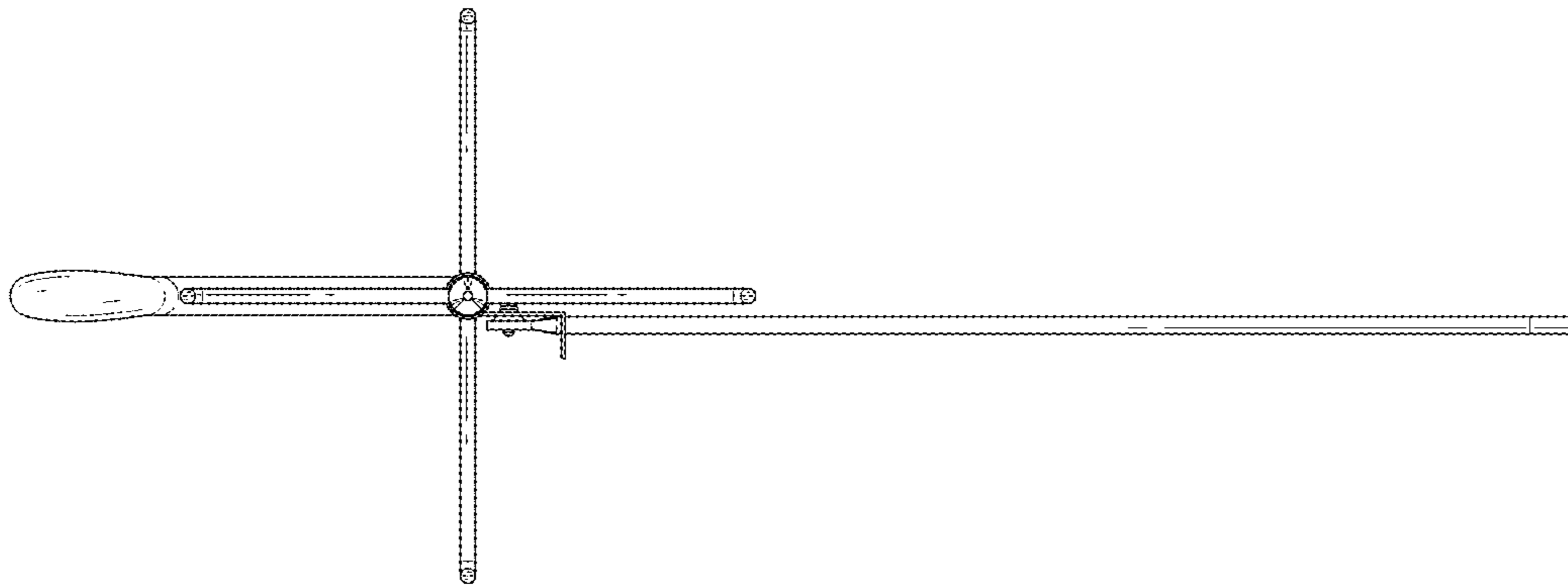


FIG. 8