



US00D957985S

(12) **United States Design Patent** (10) **Patent No.:** **US D957,985 S**
Bialek (45) **Date of Patent:** **** Jul. 19, 2022**

(54) **PROTECTIVE CASE FOR TRANSPORTING POTTED PLANTS WITH A POT**

(56) **References Cited**

U.S. PATENT DOCUMENTS

(71) Applicant: **Mr.white capital LTD**, London (GB)

D286,604 S * 11/1986 Bierlein D11/152

(72) Inventor: **Maciej Bialek**, Gzira (MT)

D586,182 S * 2/2009 Trombly D7/509

(**) Term: **15 Years**

D651,853 S * 1/2012 Eyal D7/510

(21) Appl. No.: **35/510,873**

D652,682 S * 1/2012 Eyal D7/510

(22) Filed: **Nov. 10, 2020**

D655,134 S * 3/2012 Gilbert D9/504

(80) **Hague Agreement Data**

D695,138 S * 12/2013 Ball D9/435

Int. Filing Date: **Nov. 10, 2020**

8,701,887 B2 * 4/2014 Baker B65D 21/0215
220/508

Int. Reg. No.: **DM/211448**

D716,179 S * 10/2014 King D11/143

Int. Reg. Date: **Nov. 10, 2020**

D751,345 S * 3/2016 Lane D7/510

Int. Reg. Pub. Date: **Dec. 4, 2020**

D796,378 S * 9/2017 Storey D11/152

(51) **LOC (13) Cl.** **11-02**

* cited by examiner

(52) **U.S. Cl.**
USPC **D11/152**

Primary Examiner — Melanie Pellegrini

(58) **Field of Classification Search**
USPC D11/143–156, 164; D3/304, 313, 314;
D6/403–405, 556–558; D7/357, 553.2,
D7/553.3, 554.3, 554.4; D9/433, 454,
D9/455, 772
CPC . A01G 5/04; A01G 9/02; A01G 9/021; A01G
9/022; A01G 9/027; A01G 9/028; A01G
9/029; A01G 9/0293; A01G 9/0295;
A01G 9/0297; A01G 9/0299; A01G 9/04;
A01G 9/042; A01G 9/045; A47G 7/00;
A47G 7/02; A47G 7/03; A47G 7/06;
A47G 7/08

(57) **CLAIM**

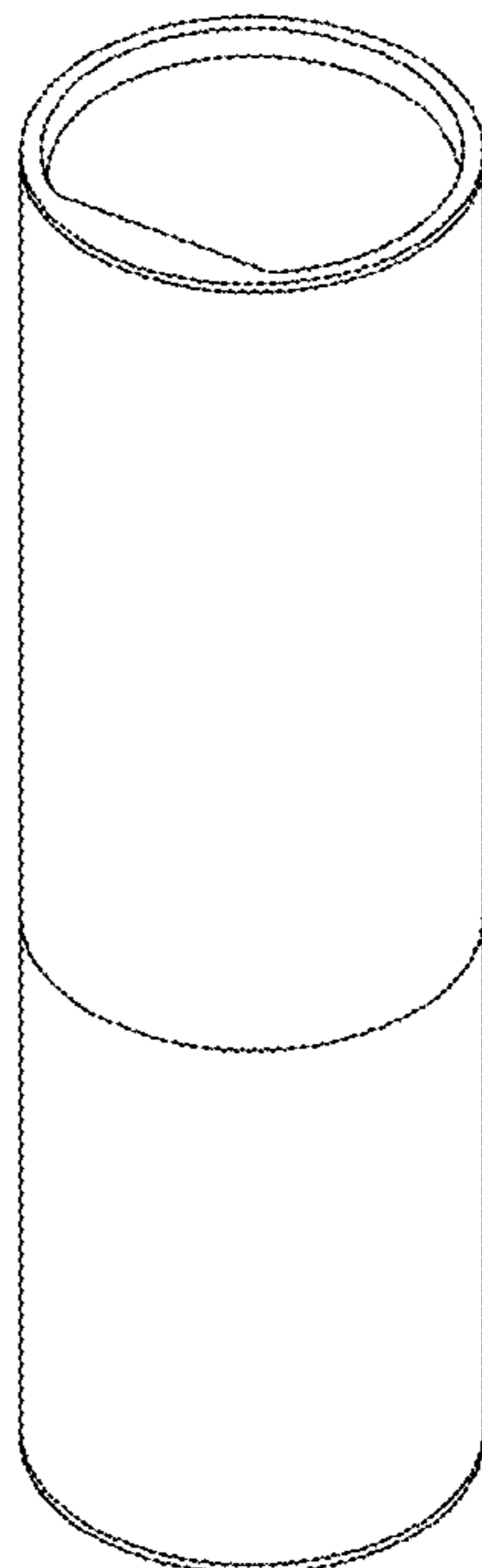
The ornamental design for a protective case for transporting potted plants with a pot, as shown and described.

DESCRIPTION

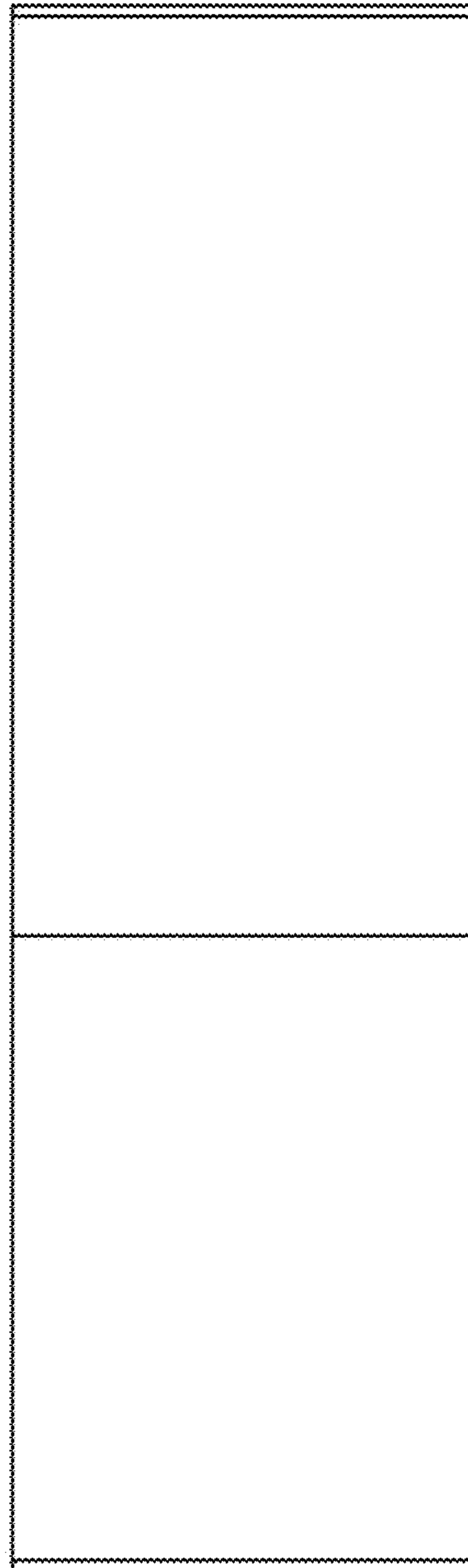
- 1. Protective case for transporting potted plants with a pot
- 1.1: front elevation
- 1.2: top plan
- 1.3: top perspective
- 1.4: exploded view
- 1.5: perspective of bottom portion
- 1.6: perspective view of portions separated

See application file for complete search history.

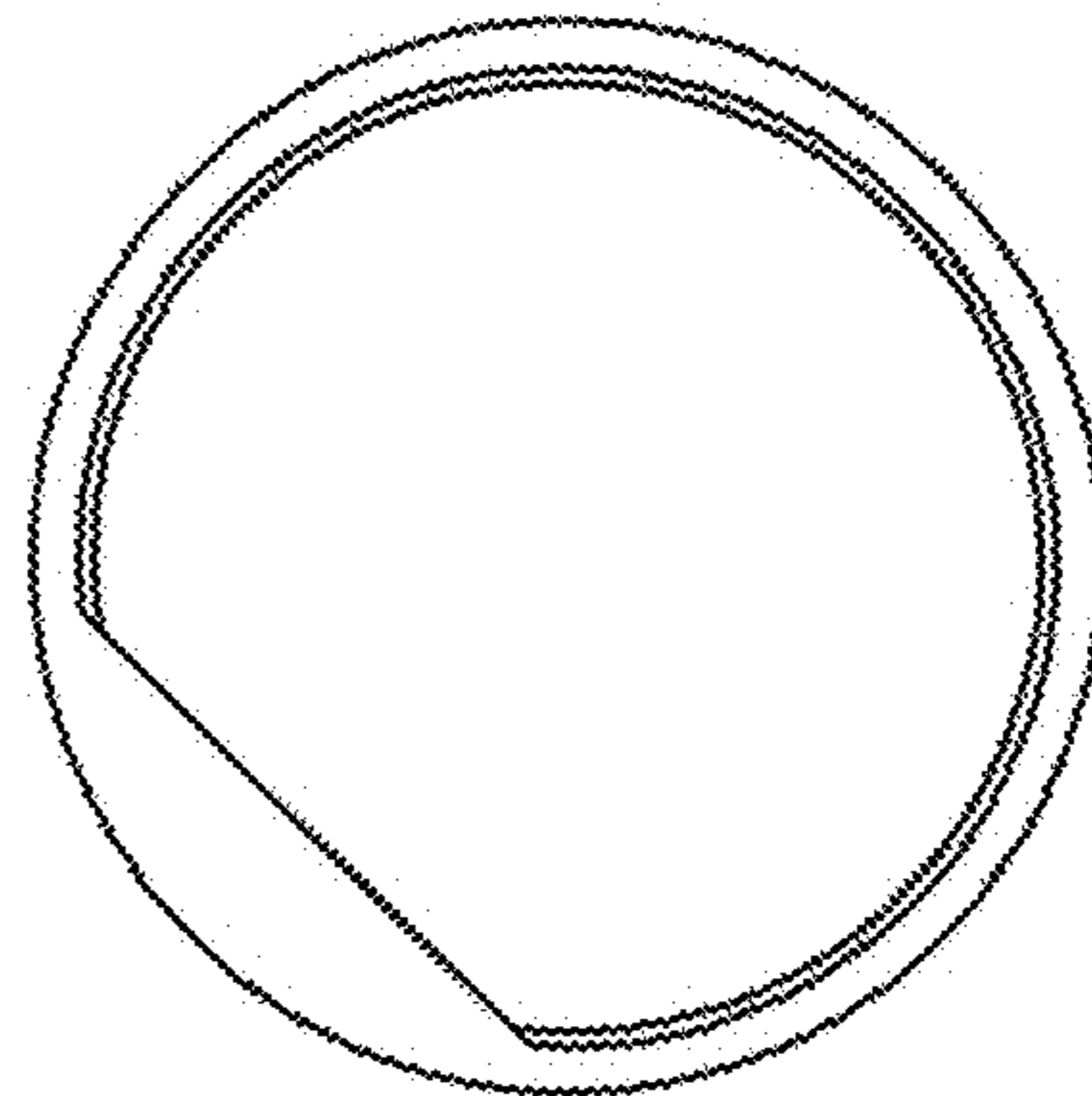
1 Claim, 6 Drawing Sheets



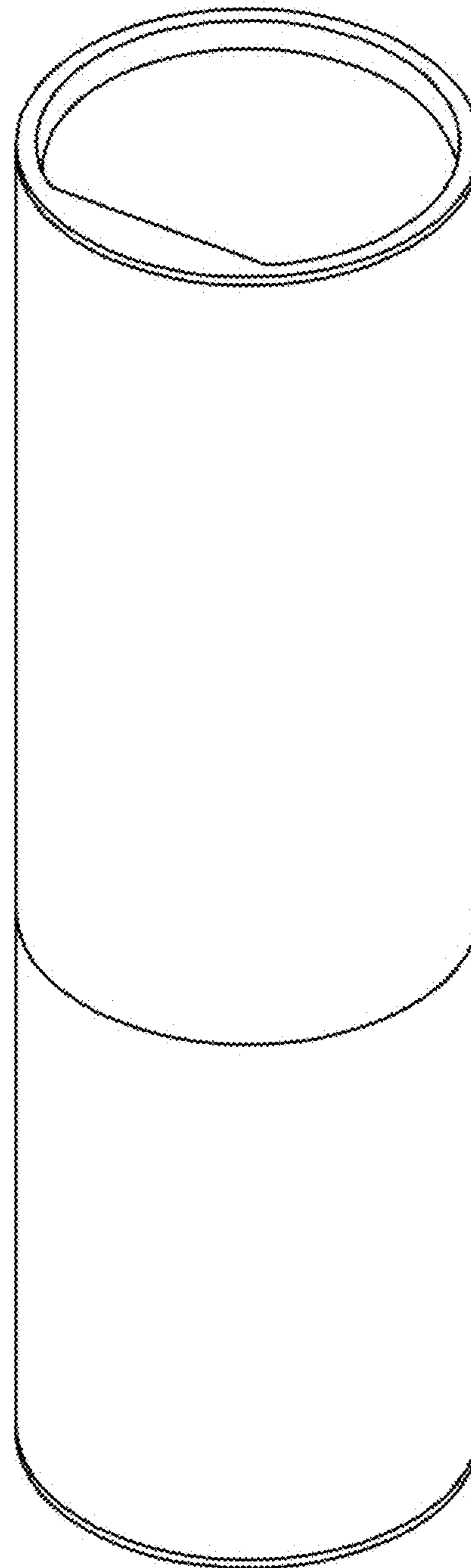
1.1



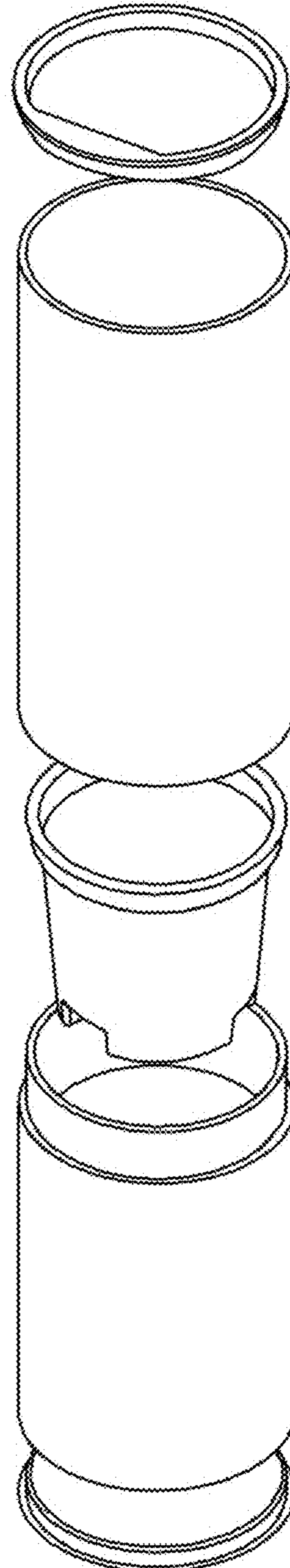
1.2



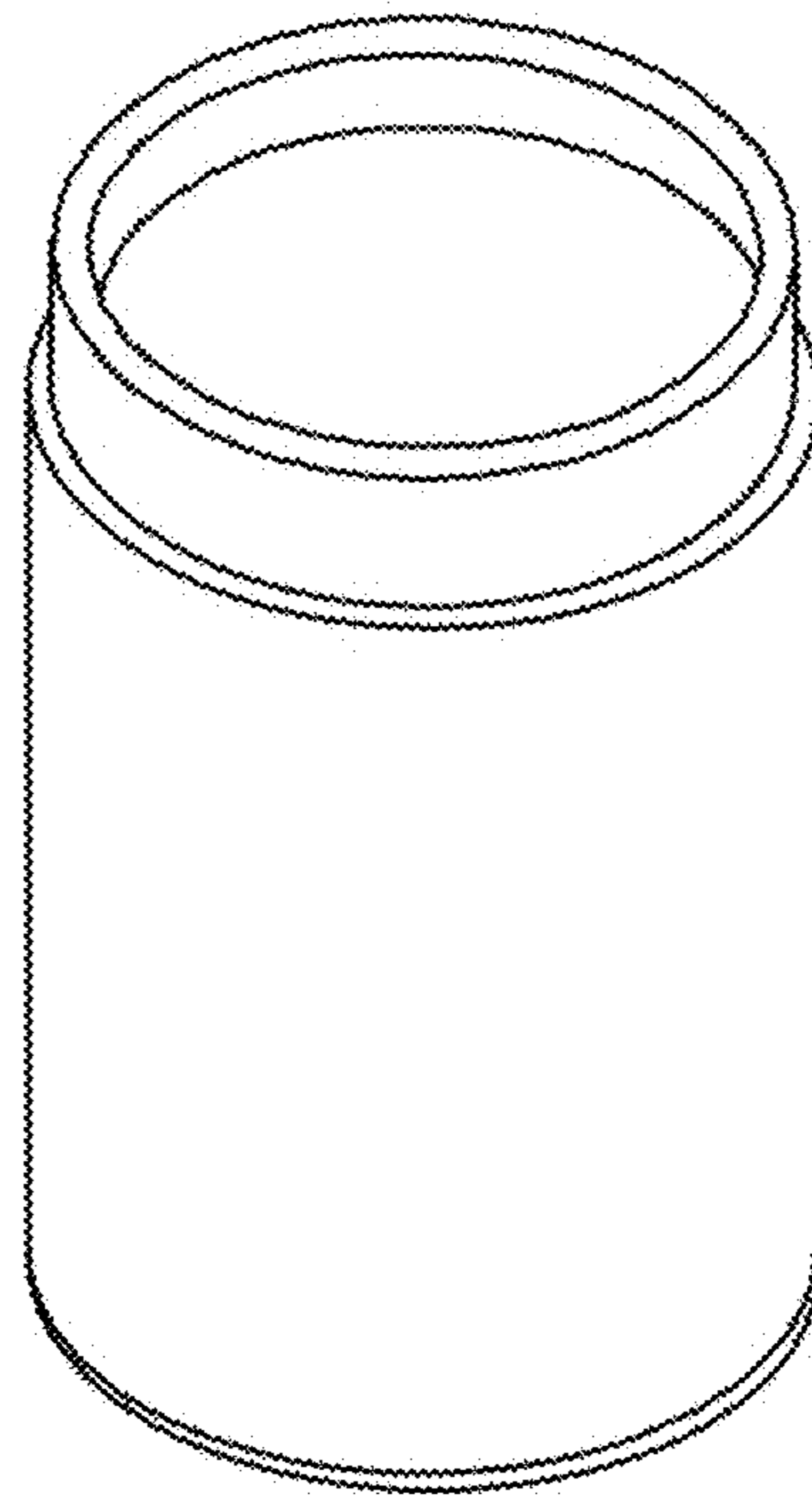
1.3



1.4



1.5



1.6

