



US00D957984S

(12) **United States Design Patent**
Tashjian

(10) **Patent No.:** **US D957,984 S**
(45) **Date of Patent:** **** Jul. 19, 2022**

(54) **JEWELRY COMPONENT**

FOREIGN PATENT DOCUMENTS

(71) Applicant: **Venus by Maria Tash, Inc.**, New York, NY (US)

CA 177580 1/2018
CN 304472187 9/2017

(Continued)

(72) Inventor: **Maria Tashjian**, New York, NY (US)

OTHER PUBLICATIONS

(73) Assignee: **Venus by Maria Tash, Inc.**, New York, NY (US)

Ali Express, Temperament super flash full diamond cylindrical rose gold earrings personality steel ball hanging mud drill string earrings, downloaded from internet Feb. 11, 2021, <https://www.aliexpress.com/item/1005001521976540.html> (5 pages).

(**) Term: **15 Years**

(Continued)

(21) Appl. No.: **29/770,412**

Primary Examiner — Llorelys Martinez

(22) Filed: **Feb. 11, 2021**

(74) *Attorney, Agent, or Firm* — Dentons US LLP

(51) **LOC (13) Cl.** **11-01**

(57) **CLAIM**

(52) **U.S. Cl.**
USPC **D11/86; D11/1**

The ornamental design for a jewelry component, as shown and described.

(58) **Field of Classification Search**

DESCRIPTION

USPC D11/1, 40-43, 79, 86, 87
CPC A44C 7/00; A44C 7/001; A44C 7/002;
A44C 7/003; A44C 7/004; A44C 7/009
See application file for complete search history.

FIG. 1 is a perspective view of a first embodiment of a jewelry component;
FIG. 2 is a front view thereof;
FIG. 3 is a rear view thereof;
FIG. 4 is a top view thereof;
FIG. 5 is a bottom view thereof;
FIG. 6 is a left side view thereof;
FIG. 7 is a right side view thereof;
FIG. 8 is a perspective view of a second embodiment of the jewelry component;
FIG. 9 is a front view thereof;
FIG. 10 is a rear view thereof;
FIG. 11 is a bottom view thereof;
FIG. 12 is a top view thereof;
FIG. 13 is a left side view thereof; and,
FIG. 14 is a right side view thereof.

(56) **References Cited**

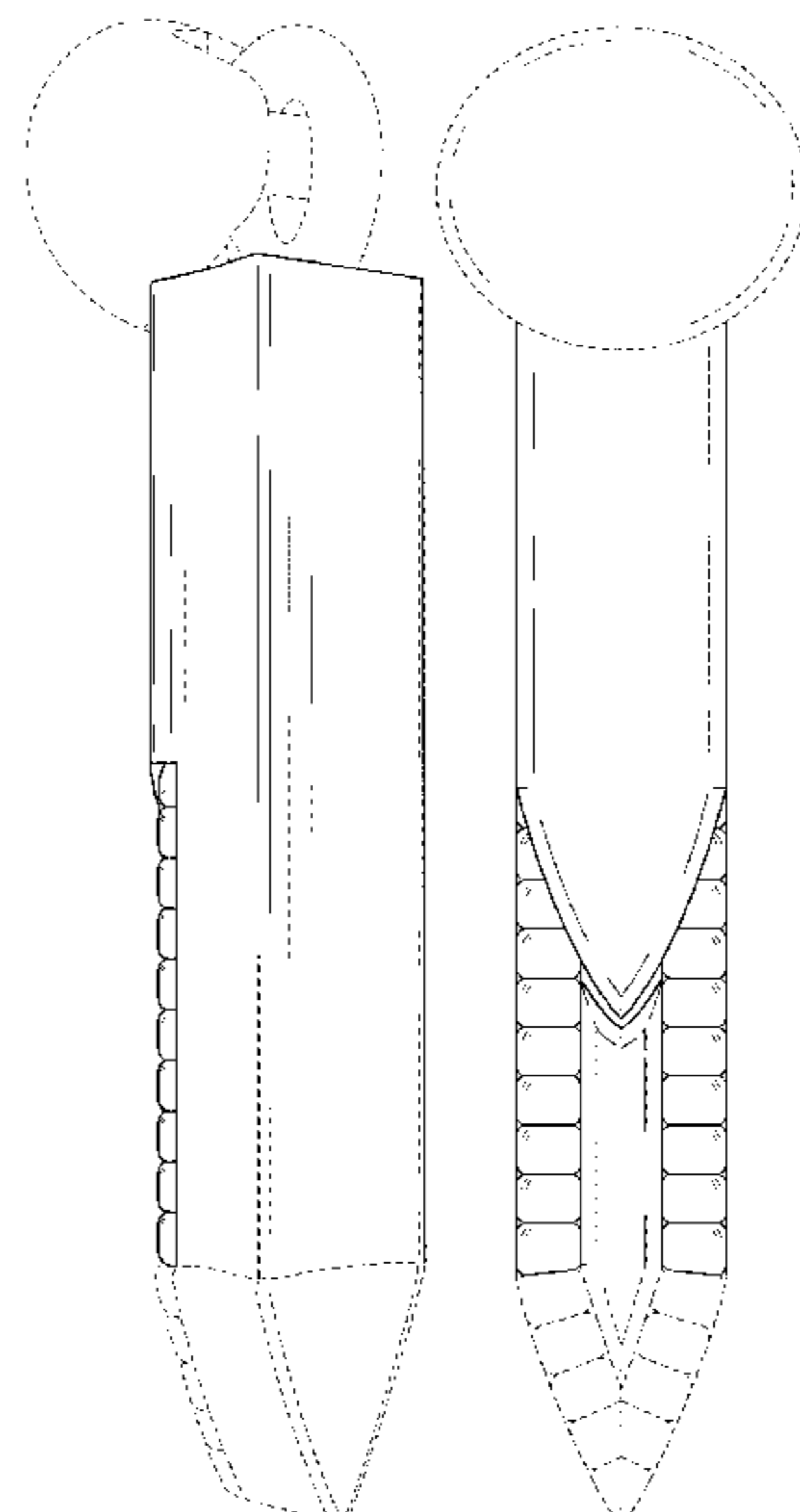
The broken lines shown in the drawings represent portions of the jewelry component that form no part of the claimed design.

U.S. PATENT DOCUMENTS

| | | | | |
|--------------|---------|------------|-------|--------|
| D170,360 S * | 9/1953 | Levin | | D11/79 |
| D271,188 S * | 11/1983 | Weeks | | D11/79 |
| D279,878 S * | 7/1985 | Moon | | D11/43 |
| D373,742 S * | 9/1996 | Janice | | D11/40 |
| D811,262 S * | 2/2018 | Abdoo | | D11/80 |
| D813,709 S * | 3/2018 | Dholakiya | | D11/79 |
| D843,257 S * | 3/2019 | Silvestri | | D11/16 |
| D856,840 S * | 8/2019 | Pandolfino | | D11/79 |
| D856,841 S * | 8/2019 | Pandolfino | | D11/79 |
| D860,852 S * | 9/2019 | Pandolfino | | D11/79 |
| D874,970 S * | 2/2020 | Pandolfino | | D11/79 |
| D881,510 S * | 4/2020 | Pandolfino | | D11/79 |
| D882,206 S * | 4/2020 | Pandolfino | | D11/79 |

(Continued)

1 Claim, 14 Drawing Sheets



(56)

References Cited

U.S. PATENT DOCUMENTS

D885,964 S * 6/2020 Avni D11/41
 D890,015 S * 7/2020 Tashjian D11/40
 D890,622 S * 7/2020 Pandolfino D11/79
 D908,476 S 1/2021 Hubmann D8/387
 D914,536 S * 3/2021 Barnes D11/79
 D928,018 S * 8/2021 Sivriere D11/43
 2021/0267327 A1* 9/2021 Tashjian A44C 7/003

FOREIGN PATENT DOCUMENTS

CN 305097599 11/2018
 EP 007666573-0003 2/2020
 ID D0000008737-0001 5/2005
 ID D0000013173-0001 9/2010
 IN 235470-0001 7/2011
 IN 235476-0001 7/2011
 IN 235468-0001 8/2011
 IN 235471-0001 8/2011
 IN 235472-0001 8/2011
 IN 235474-0001 8/2011
 IN 235477-0001 8/2011
 IN 235478-0001 8/2011
 JP D1672630 11/2020
 KR 300898774.0000 3/2017
 RU 00056881 6/2005
 SG 2007594G-0001 11/2012
 TR 631411-0001 1/2008
 TR 630144-0001 2/2015
 WO 010065-008 1/1988
 WO DM017969-012 10/1990
 WO DM019137-013 3/1991
 WO DM033723-006 5/1995
 WO DM042208-028 11/1997
 WO DM048915-006 4/1999
 WO DM065333-013 12/2003
 WO DM067652-059 11/2005
 WO DM074263-048 5/2010
 WO DM080709-050 2/2013
 WO DM069820-005 3/2013

WO DM081075-004 4/2013
 WO DM085889-001 3/2015
 WO DM087833-001 5/2015
 WO DM090349-001 4/2016
 WO DM090836-012 5/2016
 WO DM098953-002 12/2017
 WO DM099070-094 12/2017
 WO DM102092-007 7/2018
 WO DM084325-001 8/2019
 WO DM207322-005 3/2020
 WO DM207477-004 3/2020

OTHER PUBLICATIONS

Mia Glintz by Tanishq, 14kt yellow gold and diamond drop earrings with cylindrical design, downloaded from internet Feb. 11, 2021, <https://www.tanishq.co.in/product/drop-earring-552812dtjaa22> (5 pages).
 Pattons Jewelry, ASHI diamond straight bar earrings, downloaded from internet Feb. 11, 2021, <https://www.pattonsjewelry.com/catalog/ashi/623a8pjtserwg/> (5 pages).
 Poshmark, Henri Bendel Zircon Cylindrical Earrings, downloaded from internet Feb. 11, 2021, <https://poshmark.com/listing/Henri-Bendel-Zircon-Cylindrical-Earrings-5ff1abfc02bcfa8bd069da8c> (3 pages).
 Savicki, Earrings Swan Lake: white gold, diamonds, downloaded from internet Feb. 11, 2021, <https://savicki.co.uk/5245-earrings-swan-lake-white-gold-diamonds> (18 pages).
 Shopbop, Zoe Chicco 14k Gold Bar Diamond Mobile Earrings, downloaded from internet Feb. 11, 2021, https://www.shopbop.com/14k-gold-long-bar-diamond/vp/v=1/1548147852.htm?folderID=48186&fm=other-viewall&os=false&colorId=15065&ref_=SB_PLP_NB_15&breadcrumb=Accessories%EFine%20Jewelry%3EEarrings (3 pages).
 Shopee Philippines, Earrings full of drilled cylindrical studs, downloaded from internet Feb. 11, 2021, <https://shopee.ph/Earrings-full-of-drilled-cylindrical-studs-1.130818855.7100852298> (3 pages).
 Taylor & Hart, Straight bar earrings, downloaded from internet Feb. 11, 2021, <https://taylorandhart.com/eu/jewellery/9k-white-gold-straight-bar-earrings> (4 pages).

* cited by examiner

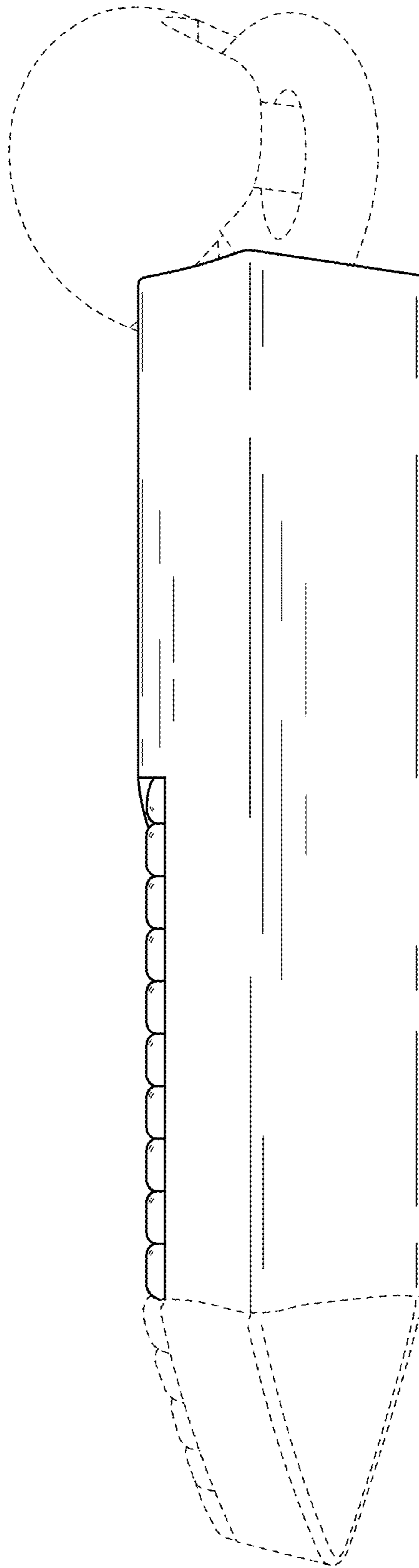


FIG. 1

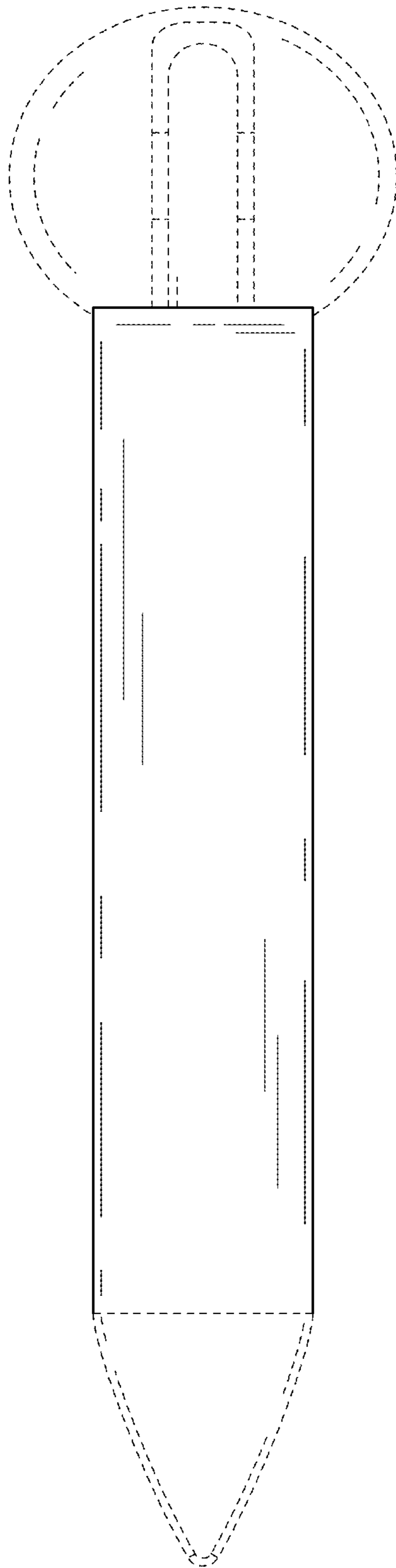


FIG. 2

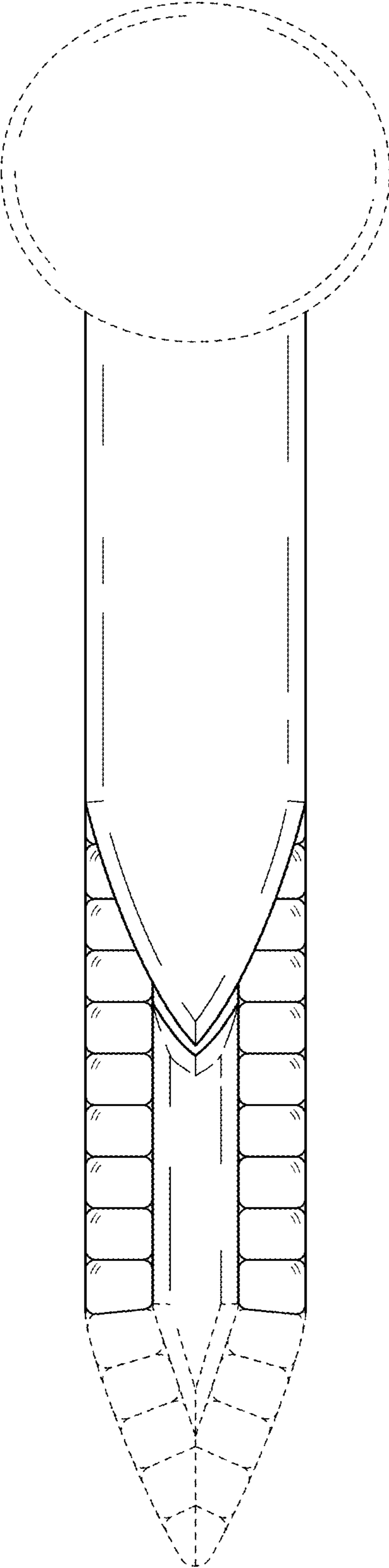


FIG. 3

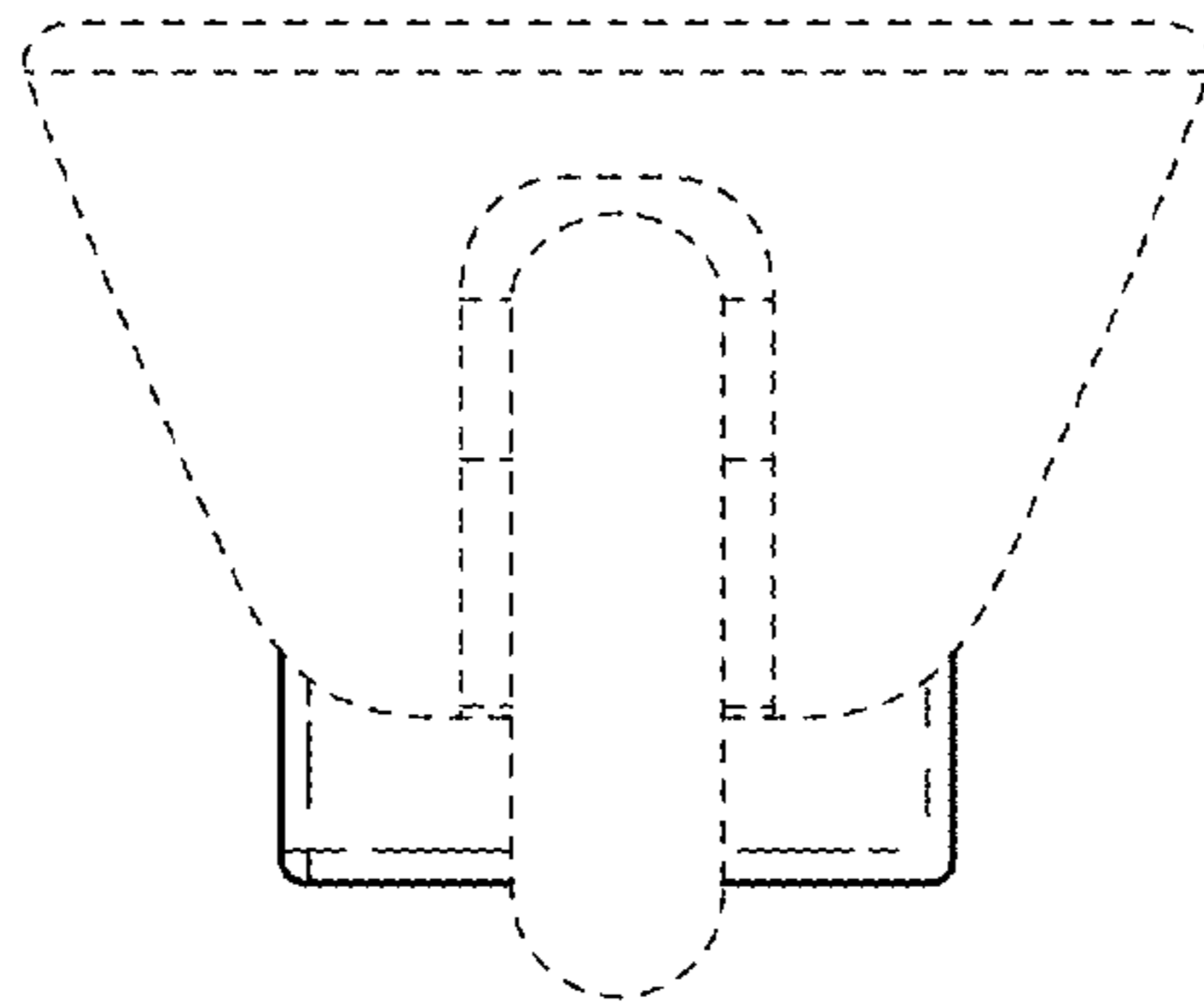


FIG. 4

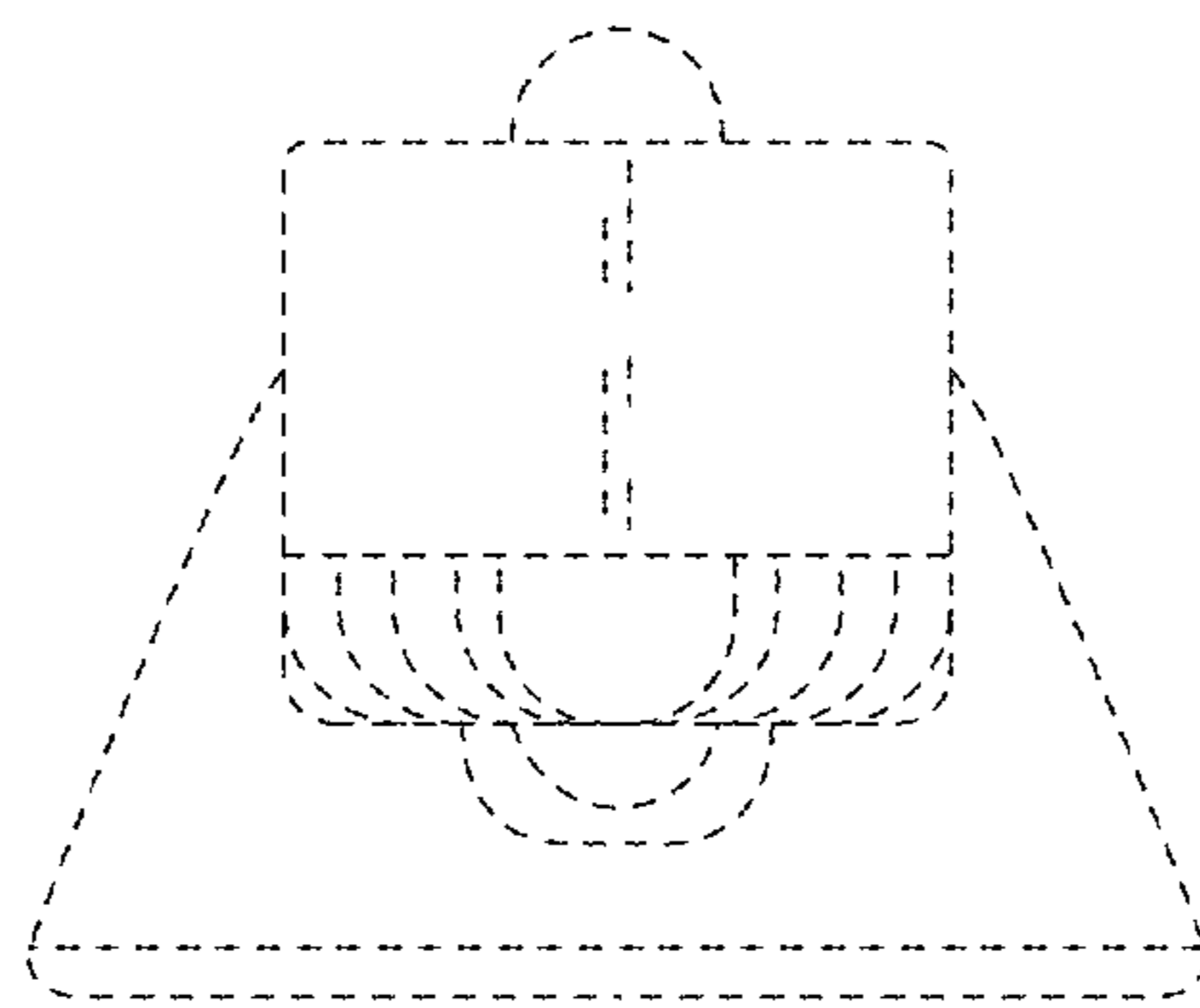


FIG. 5

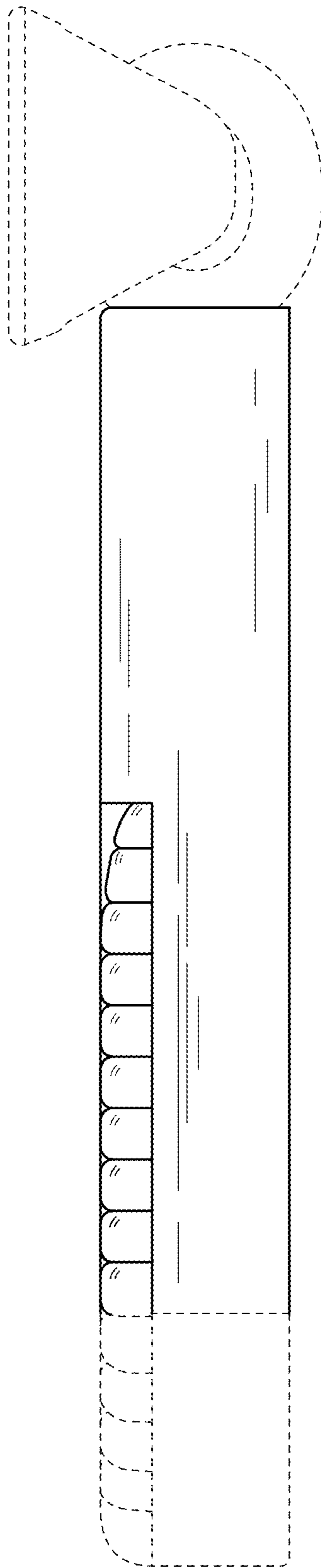


FIG. 6

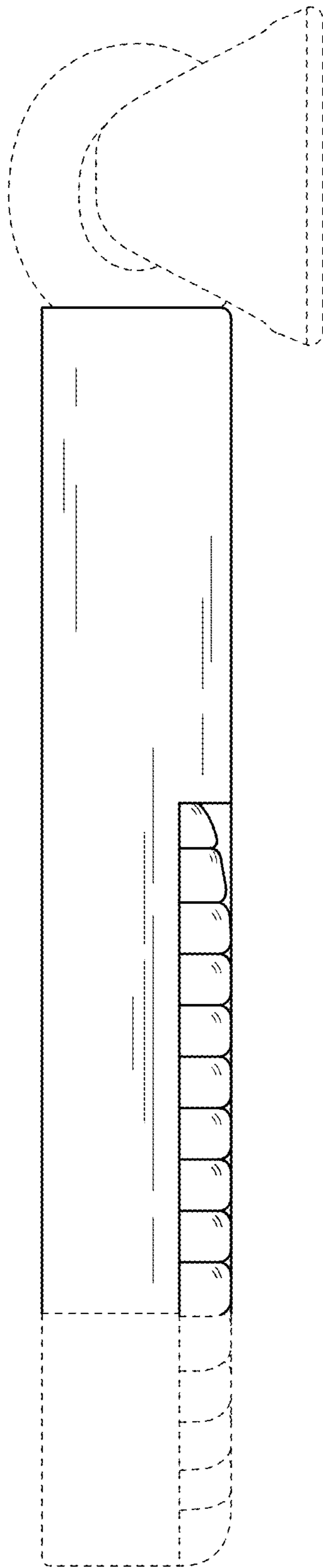


FIG. 7

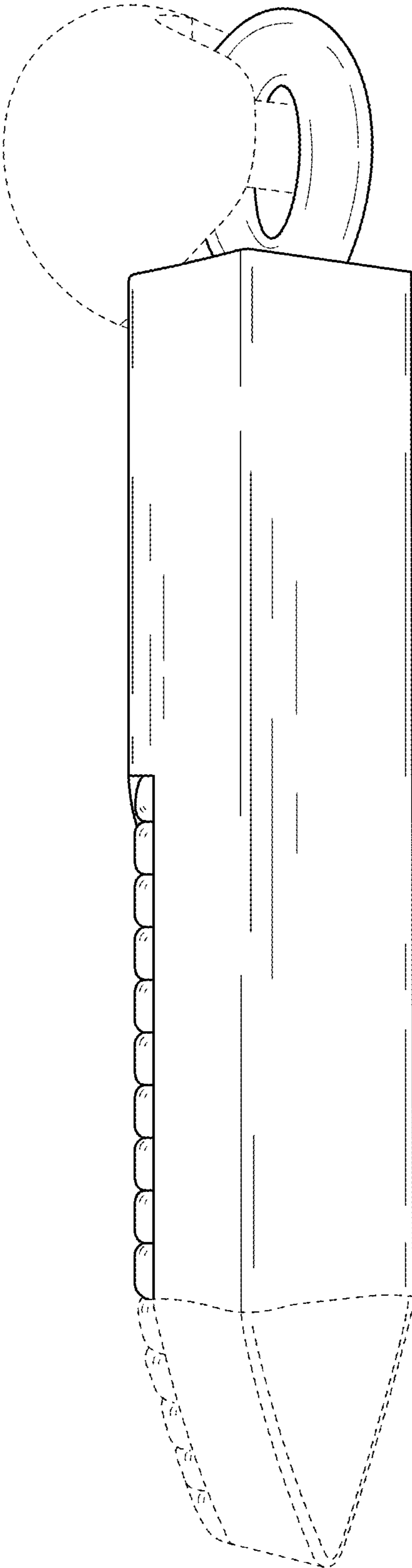


FIG. 8

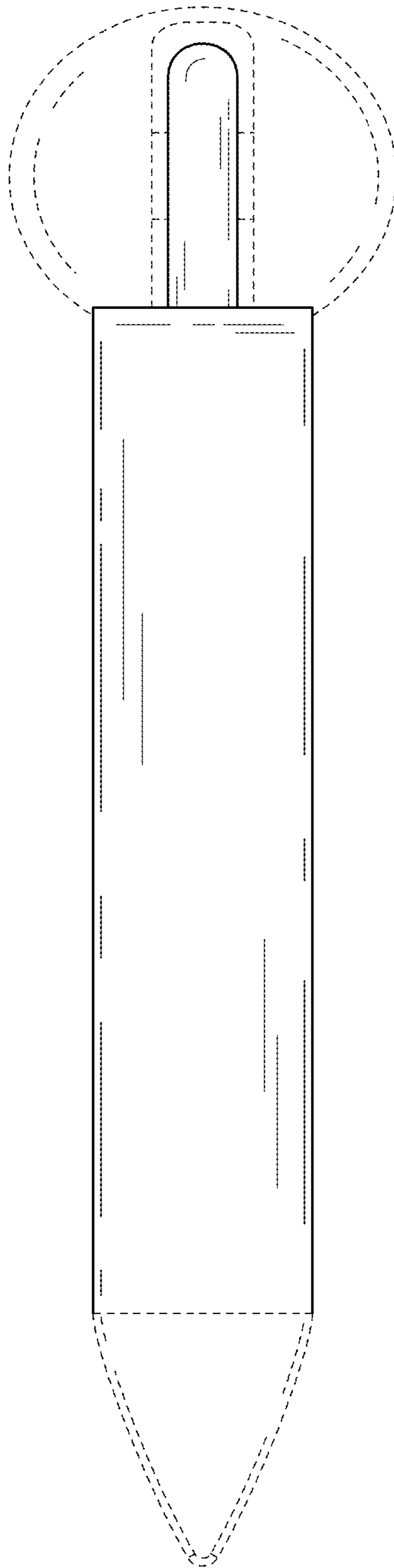


FIG. 9

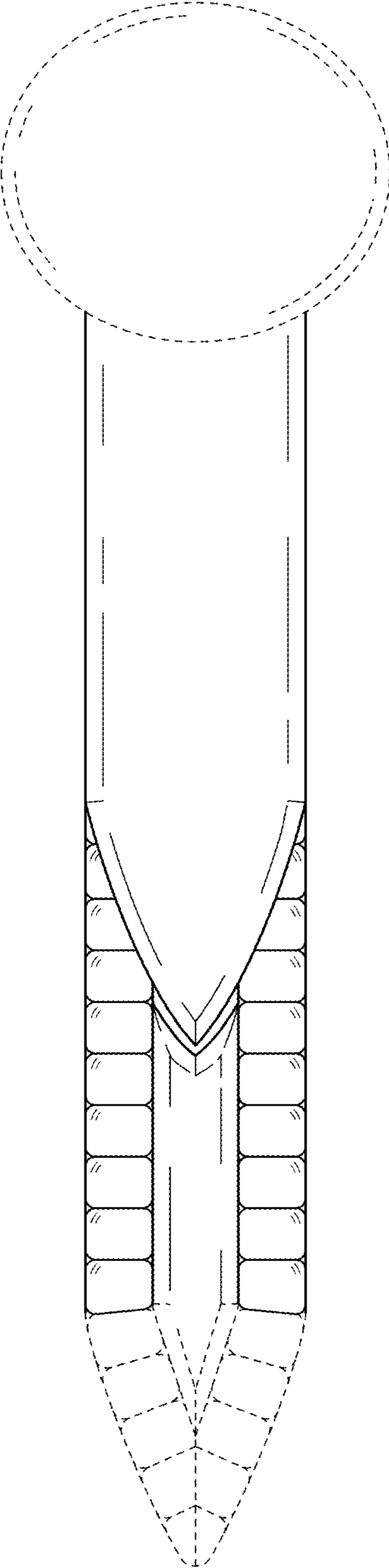


FIG. 10

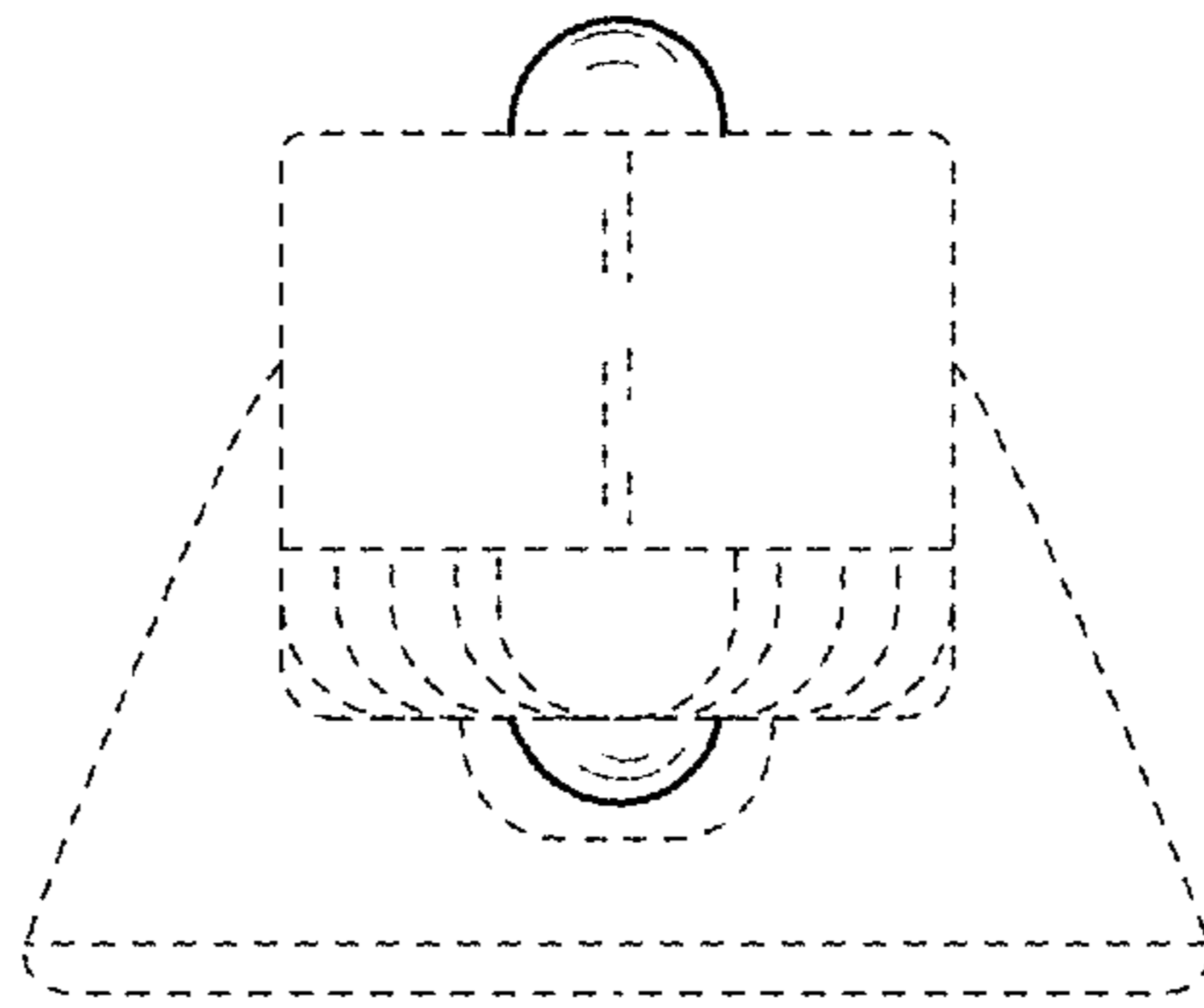


FIG. 11

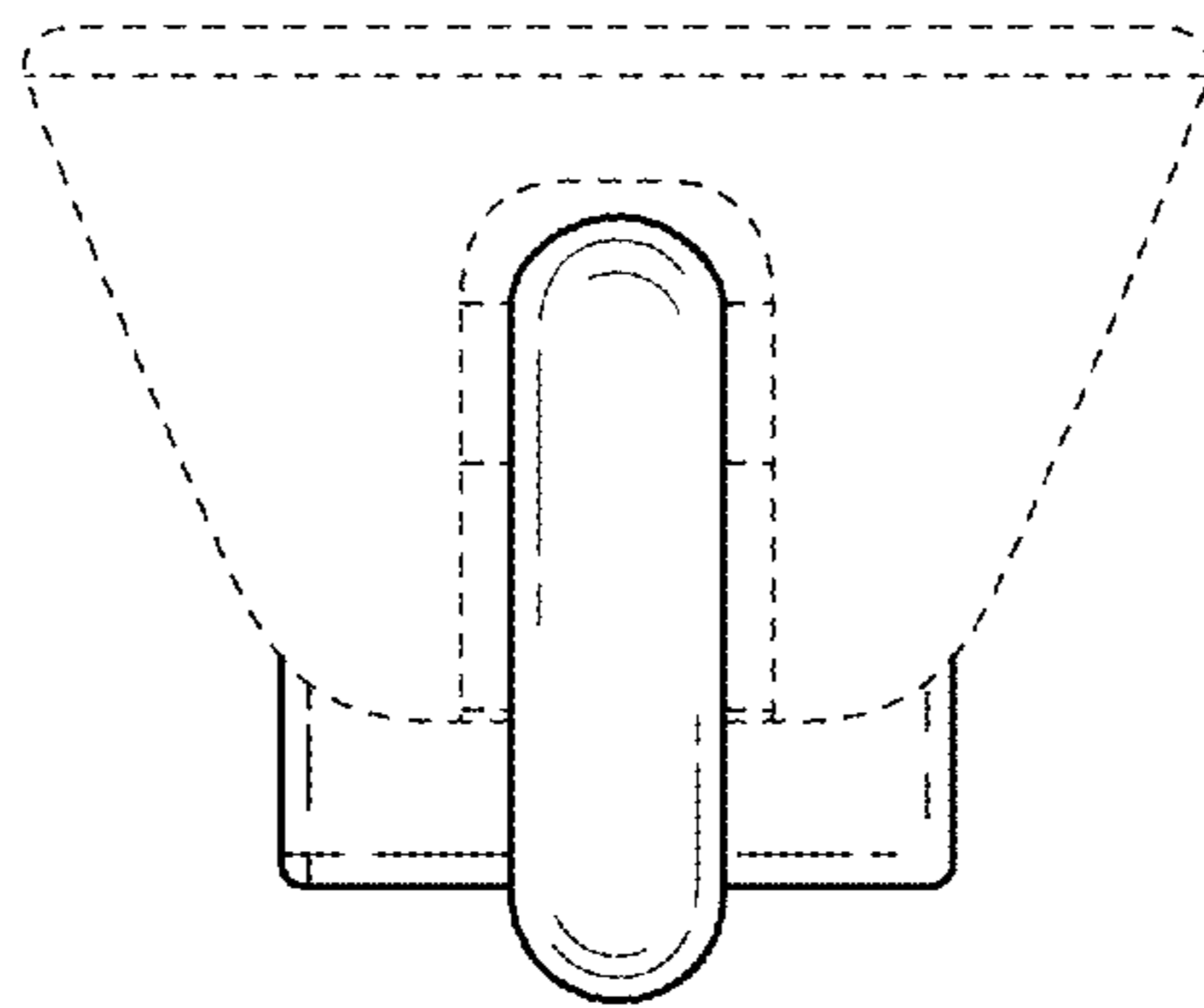


FIG. 12

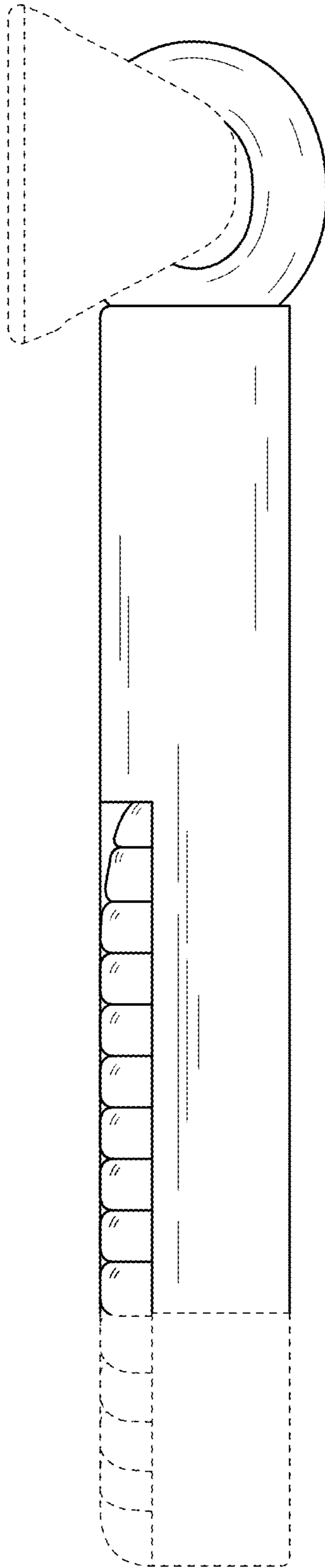


FIG. 13

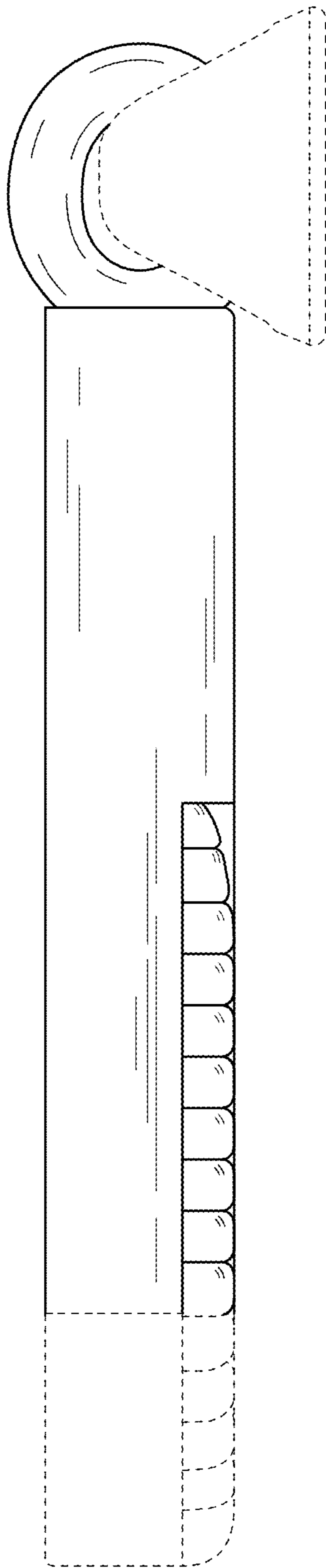


FIG. 14