



US00D957980S

(12) **United States Design Patent** (10) **Patent No.:** **US D957,980 S**
Scheufele (45) **Date of Patent:** **** Jul. 19, 2022**

(54) **RING** D257,018 S * 9/1980 Barr D11/27
 4,841,746 A * 6/1989 Chen A44C 9/00
 63/15
 (71) Applicant: **CHOPARD INTERNATIONAL SA,** D497,322 S * 10/2004 Gruosi-Scheufele D11/79
 Prangins (CH) D509,759 S * 9/2005 Scheufele D10/39
 (72) Inventor: **Karolin Scheufele,** Prangins (CH) D538,696 S * 3/2007 Azrielant D11/28
 D538,697 S * 3/2007 Azrielant D11/28
 (73) Assignee: **CHOPARD INTERNATIONAL SA,** D542,694 S * 5/2007 Schweizer D11/34
 Prangins (CH) D542,695 S * 5/2007 Schweizer D11/34
 D546,726 S * 7/2007 Azrielant D11/35
 (**) Term: **15 Years** D550,582 S * 9/2007 Gruosi-Scheufele D11/43
 D567,698 S * 4/2008 Gruosi-Scheufele D11/26
 D570,240 S * 6/2008 Gruosi-Scheufele D11/79
 (21) Appl. No.: **29/705,636** D792,265 S * 7/2017 Morin D11/35
 D813,077 S * 3/2018 Noble A44C 17/0258
 D11/26
 (22) Filed: **Sep. 13, 2019** D917,332 S * 4/2021 Scheufele D11/86
 (30) **Foreign Application Priority Data** (Continued)

Mar. 15, 2019 (WO) 81525
 (51) **LOC (13) Cl.** **11-01**
 (52) **U.S. Cl.**
 USPC **D11/34**
 (58) **Field of Classification Search**
 USPC D11/1, 3, 4, 26-39, 91, 92
 CPC A44C 9/00; A44C 9/0007; A44C 9/0014;
 A44C 9/0023; A44C 9/003; A44C
 9/0038; A44C 9/0046; A44C 9/0053;
 A44C 9/0061; A44C 9/0069; A44C
 9/0076; A44C 9/0084; A44C 9/0092;
 A44C 9/02; A44C 17/0258; A44C
 17/0266; A44C 17/0275; A44C 17/0283;
 A44C 17/02; A44C 17/0208; A44C
 17/0216; A44C 17/0225; A44C 17/0233;
 A44C 17/0241; A44C 17/025; A44C
 17/0288; A44C 17/0291; A44C 1/00;
 A44C 3/00
 See application file for complete search history.

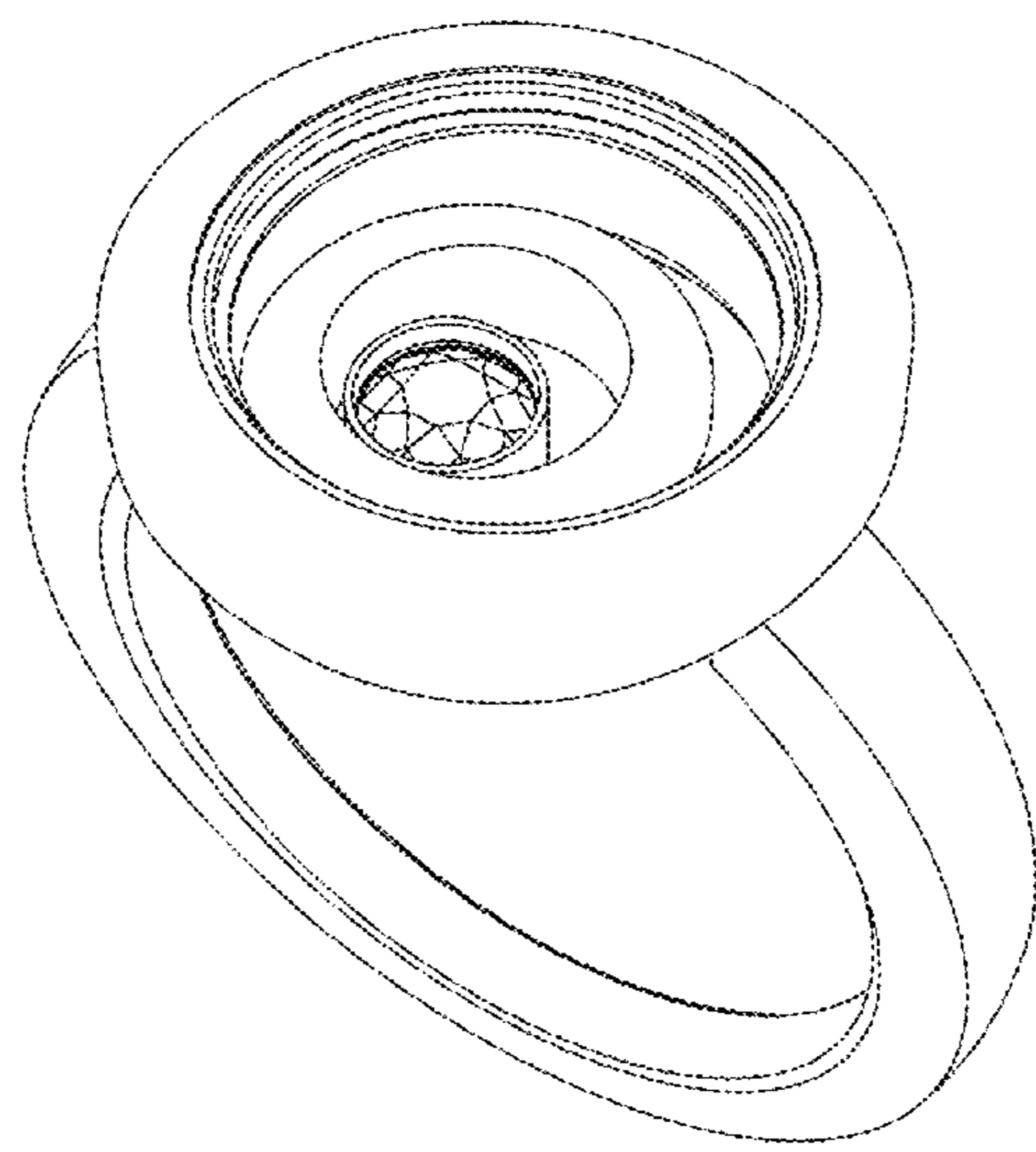
(56) **References Cited**
 U.S. PATENT DOCUMENTS
 D61,329 S * 8/1922 Riehl D11/35
 D254,537 S * 3/1980 Abelson D11/27

OTHER PUBLICATIONS
 [Online] "Happy Spirit" <https://www.chopard.com/intl/happy-spirit-at828230-9010>. Retrieved Mar. 11, 2022.*
Primary Examiner — Melanie Pellegrini
 (74) *Attorney, Agent, or Firm* — McGlew and Tuttle, P.C.

(57) **CLAIM**
 The ornamental design for a ring, as shown and described.

DESCRIPTION
 FIG. 1 is an upper perspective view of my new ring design;
 FIG. 2 is a rear view thereof;
 FIG. 3 is a front view thereof;
 FIG. 4 is a top view thereof;
 FIG. 5 is a bottom view thereof;
 FIG. 6 is an enlarged view of the left side thereof; and,
 FIG. 7 is an enlarged view of the right side thereof.

1 Claim, 7 Drawing Sheets



(56)

References Cited

U.S. PATENT DOCUMENTS

2004/0194501 A1* 10/2004 Gruosi-Scheufele
A44C 17/0291
63/26
2011/0056243 A1* 3/2011 Asscher A44C 9/0053
29/896.41
2014/0345323 A1* 11/2014 Sevikian A44C 17/025
63/15

* cited by examiner

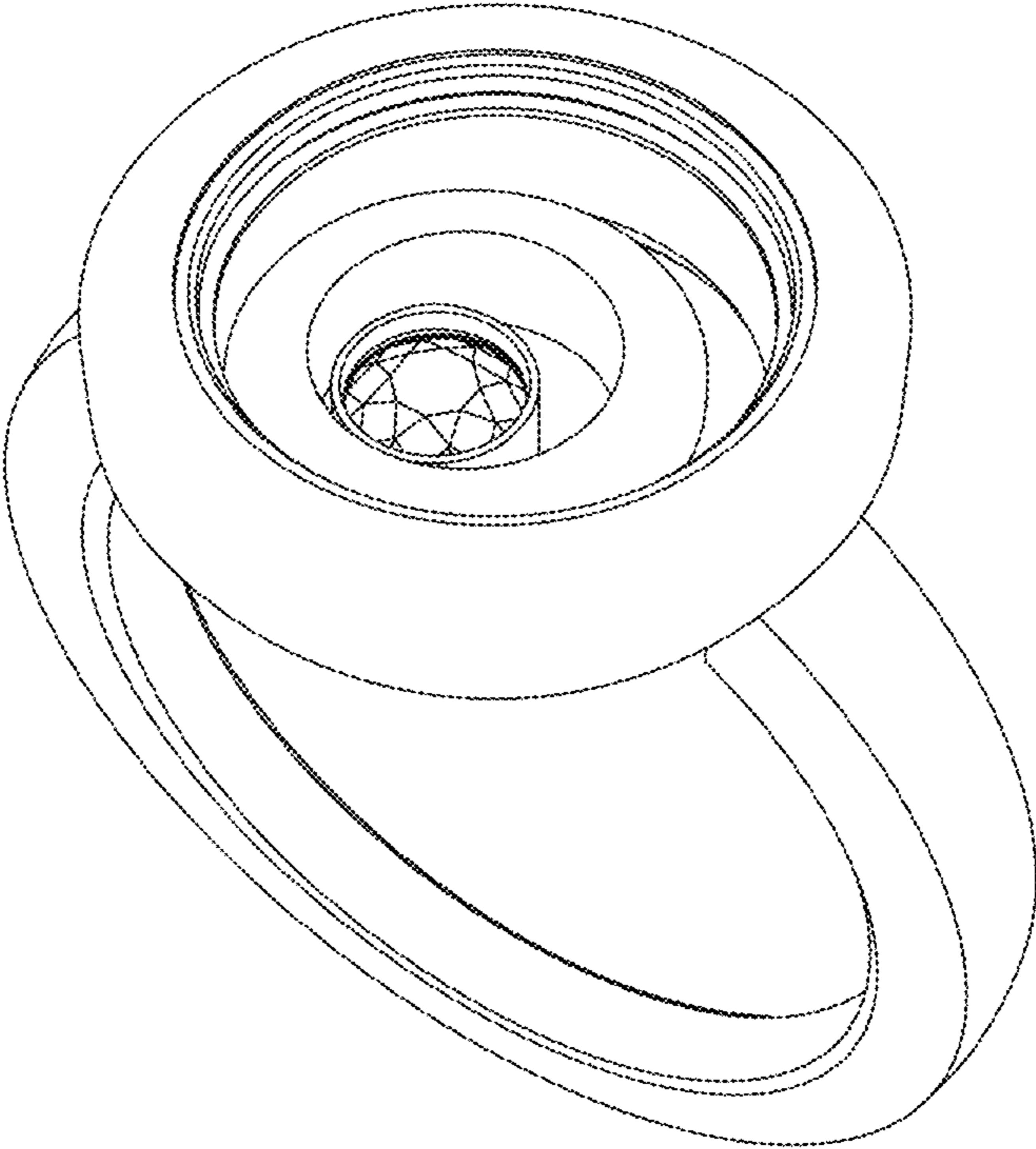


Fig. 1

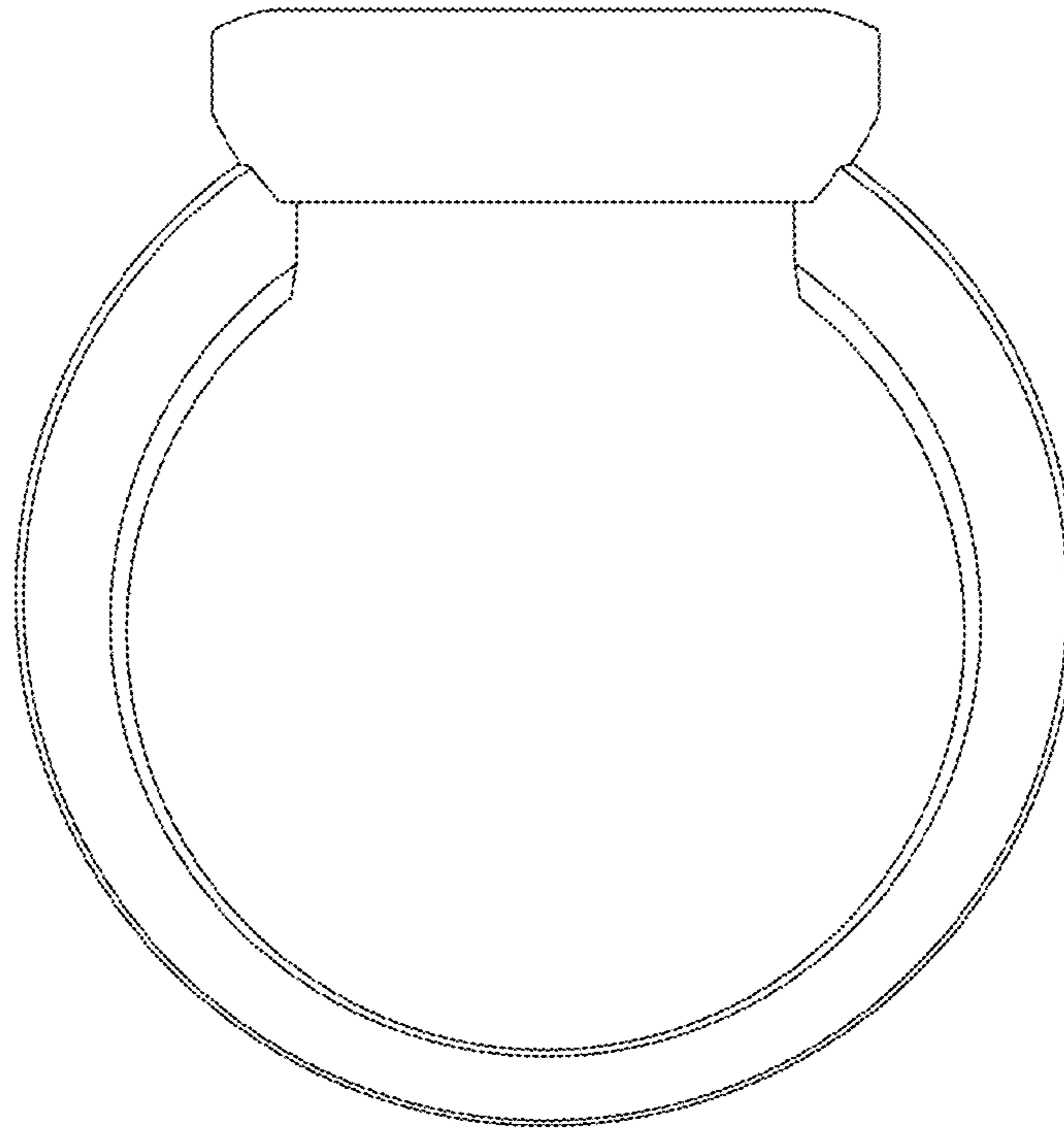


Fig. 2

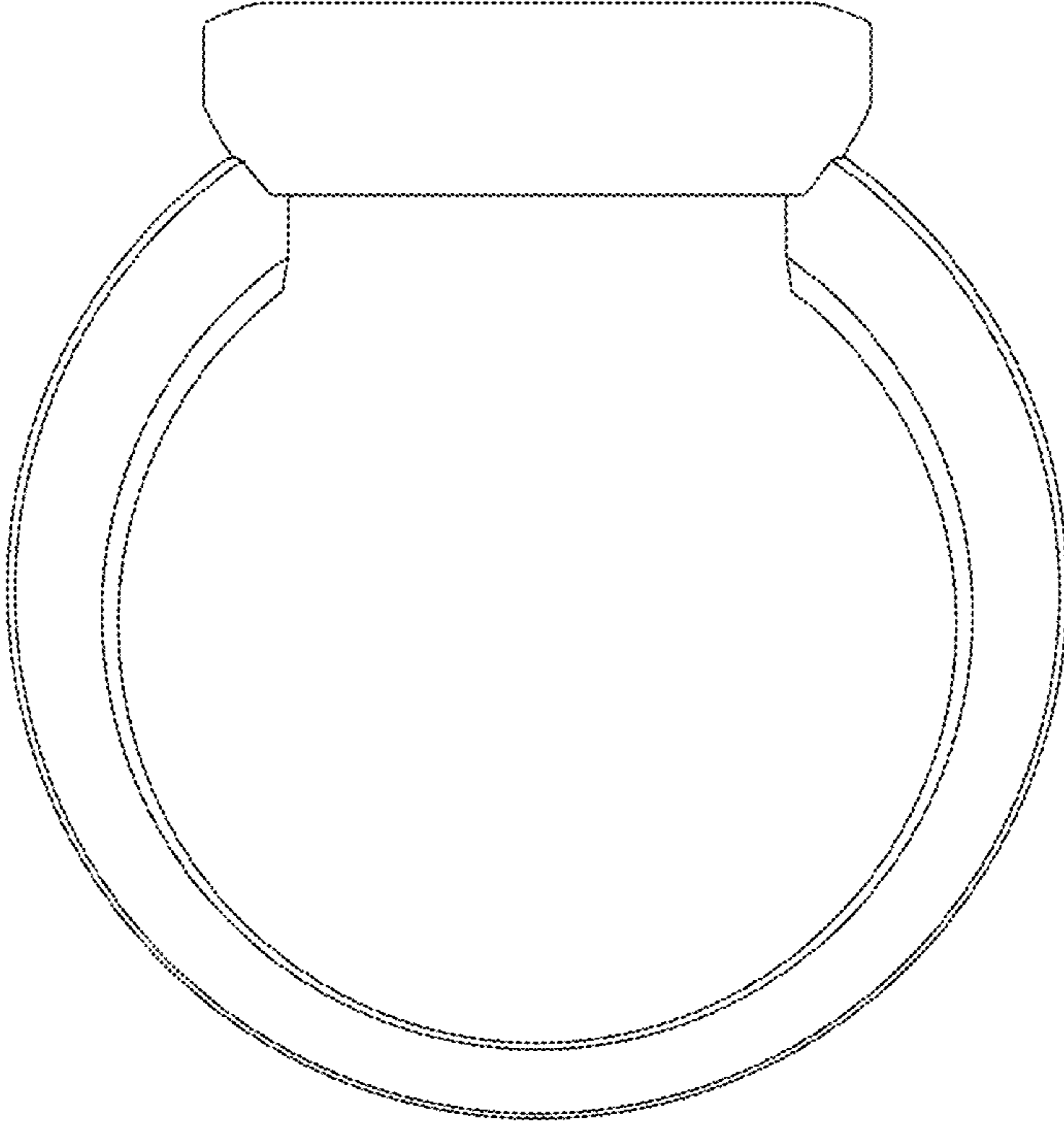


Fig. 3

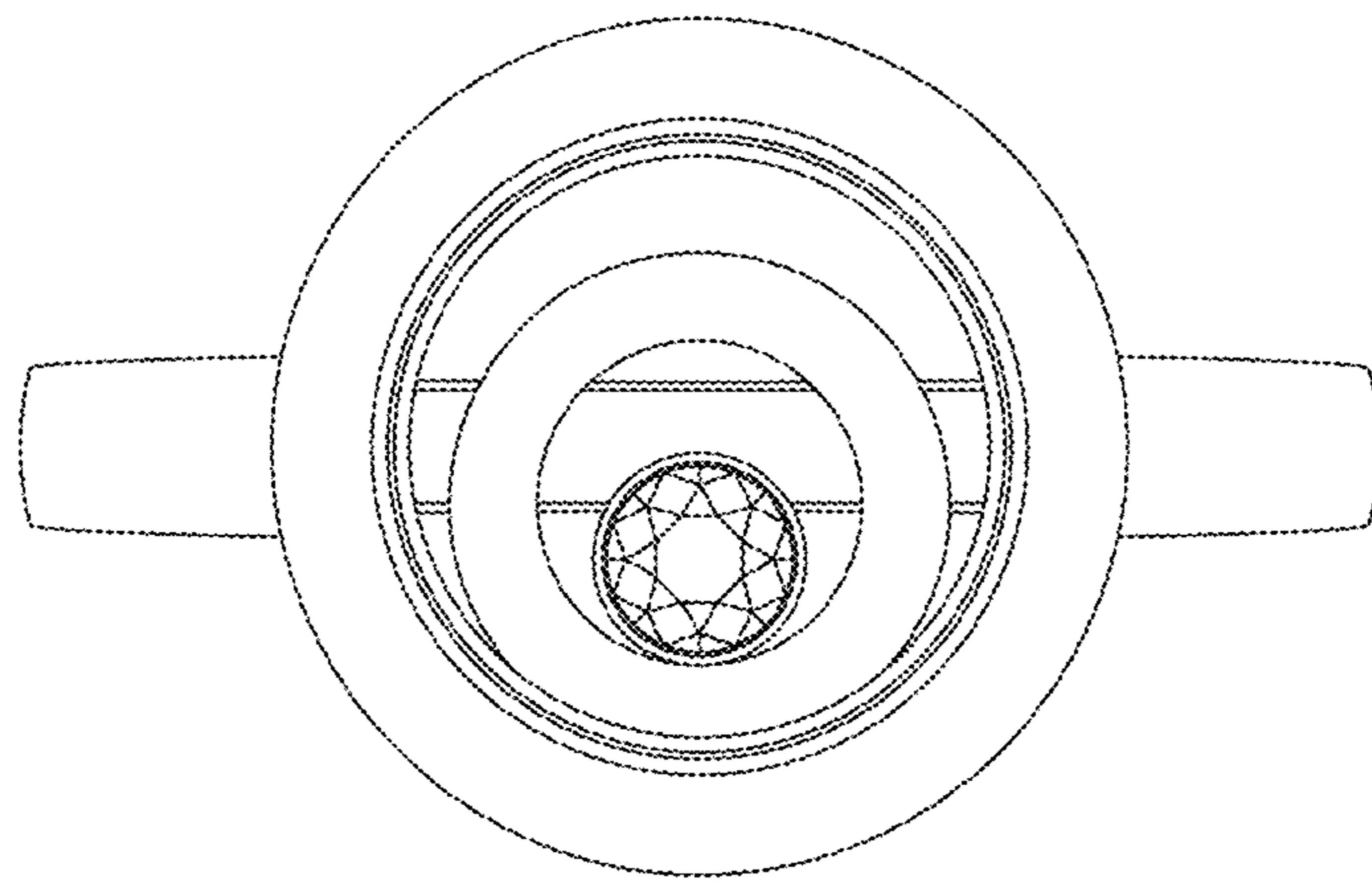


Fig. 4

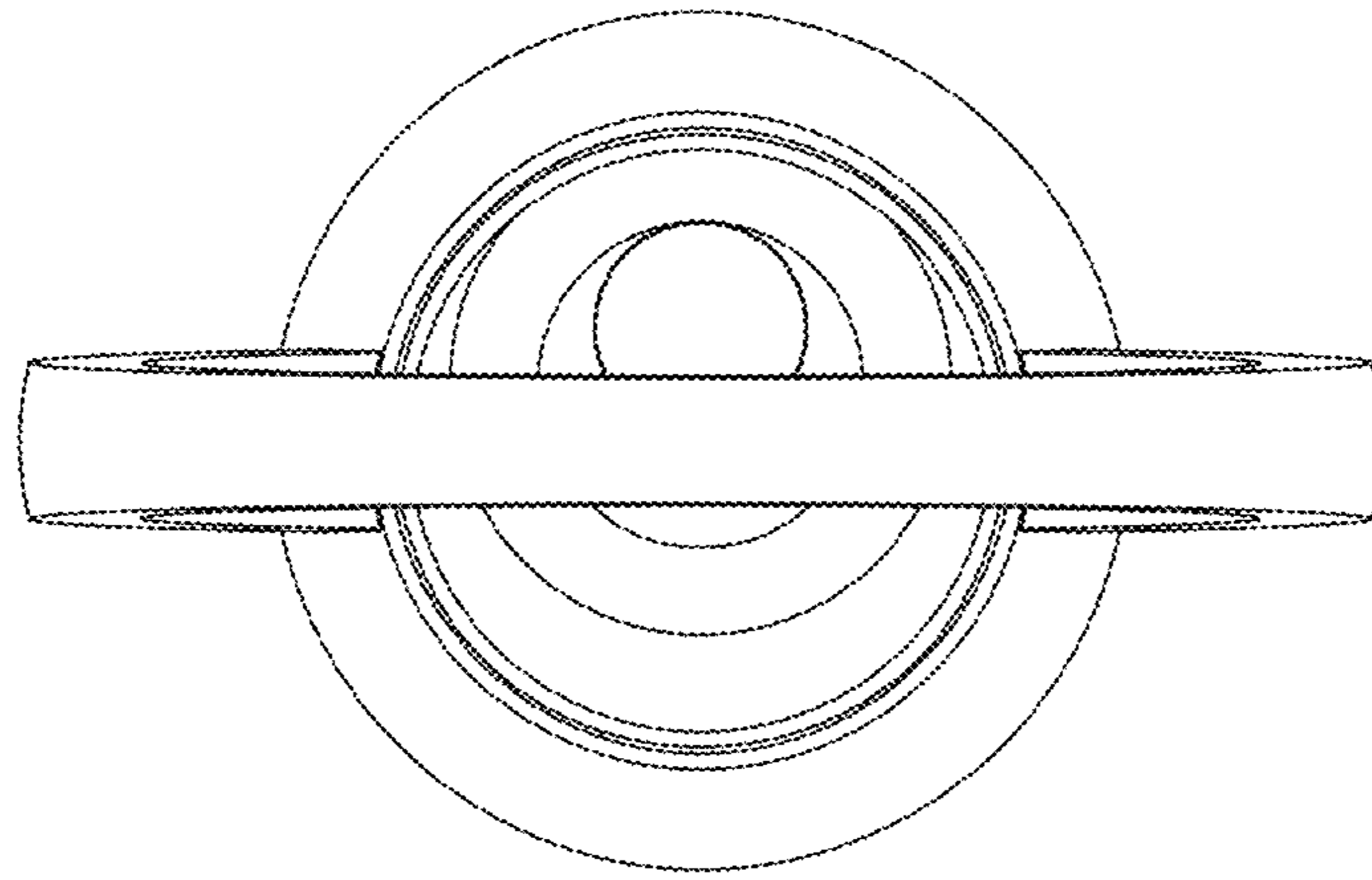


Fig. 5

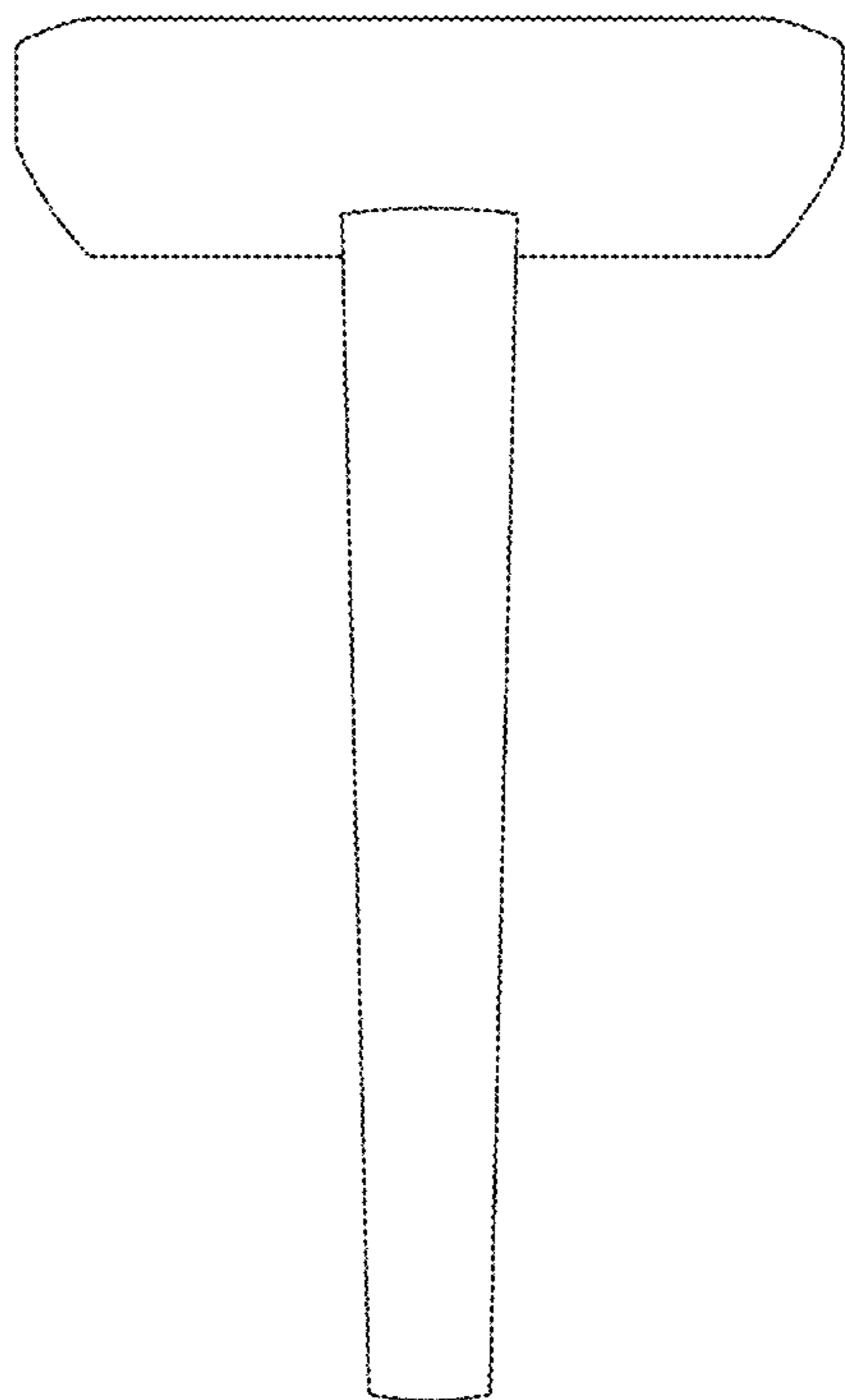


Fig. 6

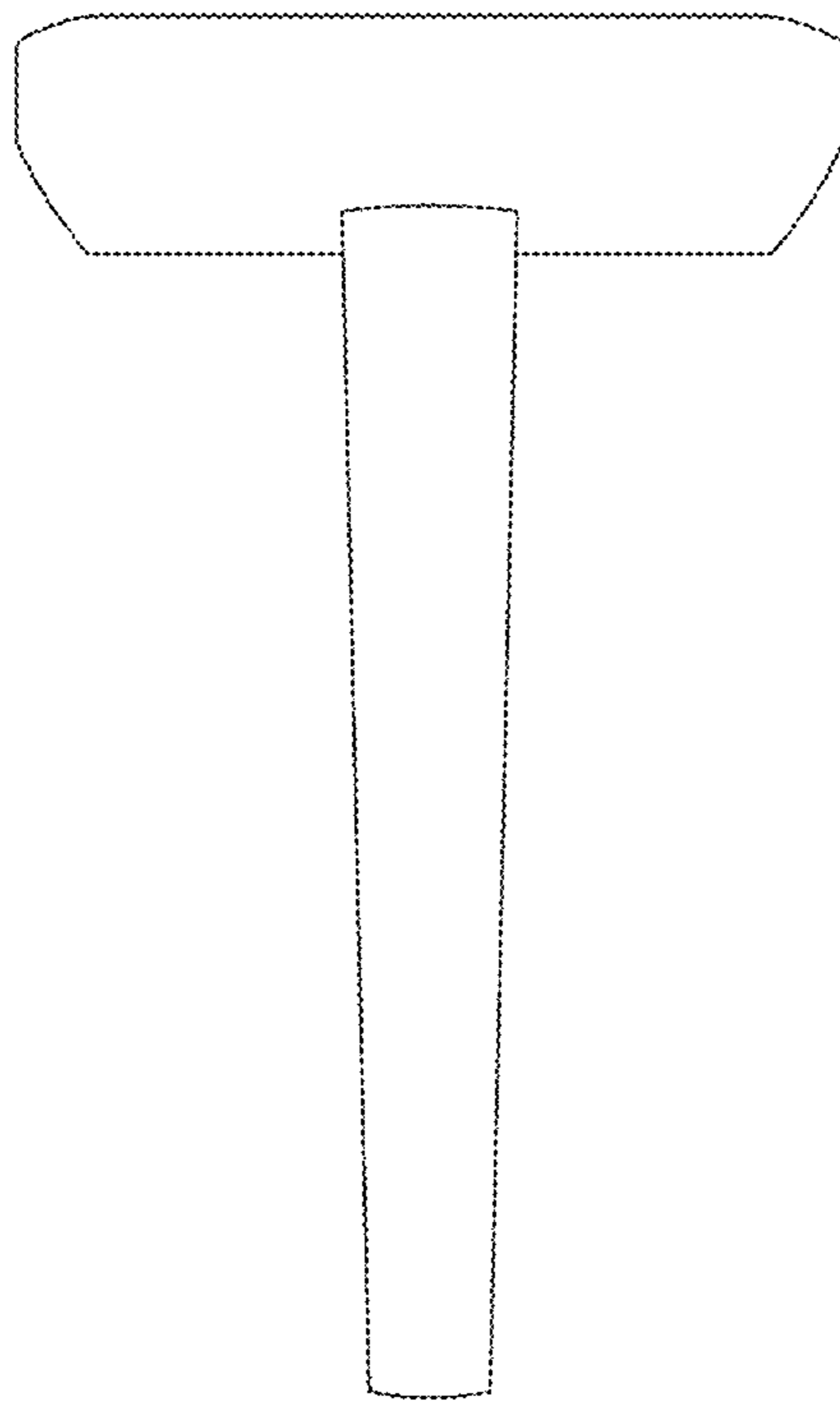


Fig. 7