



US00D957978S

(12) **United States Design Patent** (10) **Patent No.:** **US D957,978 S**
Bernard et al. (45) **Date of Patent:** **** Jul. 19, 2022**

(54) **SET OF BANDS FOR A FITNESS TRACKER**

(56)

References Cited

(71) Applicant: **Fitbit, Inc.**, San Francisco, CA (US)

U.S. PATENT DOCUMENTS

(72) Inventors: **Cédric Eric Jean-Edouard Bernard**,
San Francisco, CA (US); **Junyong Park**, San Francisco, CA (US); **Eric John Fairbanks**, Lafayette, CA (US); **Benjamin Patrick Robert Jean Riot**,
San Francisco, CA (US); **Irina Igorevna Kozlovskaya**, San Francisco, CA (US); **Brian Dennis Paschke**, San Francisco, CA (US); **Chadwick John Harber**, San Francisco, CA (US); **Jonah Avram Becker**, San Francisco, CA (US)

1,621,325 A	3/1927	Kraemer	
1,709,179 A	4/1929	Lederer	
D82,186 S	9/1930	Speidel	
D214,810 S	7/1969	Gandelman	
3,665,565 A *	5/1972	Kruger	A44C 5/2042 24/265 WS
4,231,502 A *	11/1980	Meyerson	A44C 5/14 224/177
4,605,312 A	8/1986	Sellier	
D285,422 S	9/1986	Grimes	
D314,527 S	2/1991	Kaneko	
D327,440 S	6/1992	Galli	
D333,446 S	2/1993	Butler	
D344,468 S	2/1994	Kaneko	
D387,692 S	12/1997	Hanagat	
D401,181 S	11/1998	Houlihan	
D407,341 S	3/1999	Oshita	
D407,990 S	4/1999	Akagi	
7,480,967 B2	1/2009	Kojoori et al.	
7,509,712 B2 *	3/2009	Sima	A44C 5/147 24/265 WS
D643,772 S	8/2011	Mikkelsen	
D724,469 S	3/2015	Akana et al.	
D740,714 S *	10/2015	Cerrato	D11/94
D748,008 S	1/2016	Akana et al.	
D748,010 S	1/2016	Akana et al.	
D748,527 S	2/2016	Akana et al.	
D749,009 S	2/2016	Akana et al.	
D749,450 S	2/2016	Akana et al.	
D749,460 S	2/2016	Akana et al.	
9,256,253 B2 *	2/2016	Peek	G06F 1/163
9,311,686 B2	4/2016	Roush et al.	
D761,689 S *	7/2016	Akana	D11/94
D762,515 S	8/2016	Akana et al.	
D764,341 S	8/2016	Akana et al.	
D768,025 S	10/2016	Akana et al.	
D786,127 S	5/2017	Akana et al.	
D789,822 S	6/2017	Akana et al.	
D791,634 S *	7/2017	Bang	D11/3
D792,795 S	7/2017	Cerrato	
D794,492 S	8/2017	Arrow et al.	
D795,121 S	8/2017	Akana et al.	
D796,990 S *	9/2017	Bang	D11/94
D796,991 S *	9/2017	Hong	D11/94
D798,189 S	9/2017	Nielsen et al.	
9,756,907 B2 *	9/2017	Frei	A44C 5/145
D800,007 S	10/2017	Tibi	
D800,593 S	10/2017	Ling et al.	
D807,777 S *	1/2018	Lowe	D11/94

(73) Assignee: **Fitbit, Inc.**, San Francisco, CA (US)

(**) Term: **15 Years**

(21) Appl. No.: **29/771,375**

(22) Filed: **Feb. 22, 2021**

Related U.S. Application Data

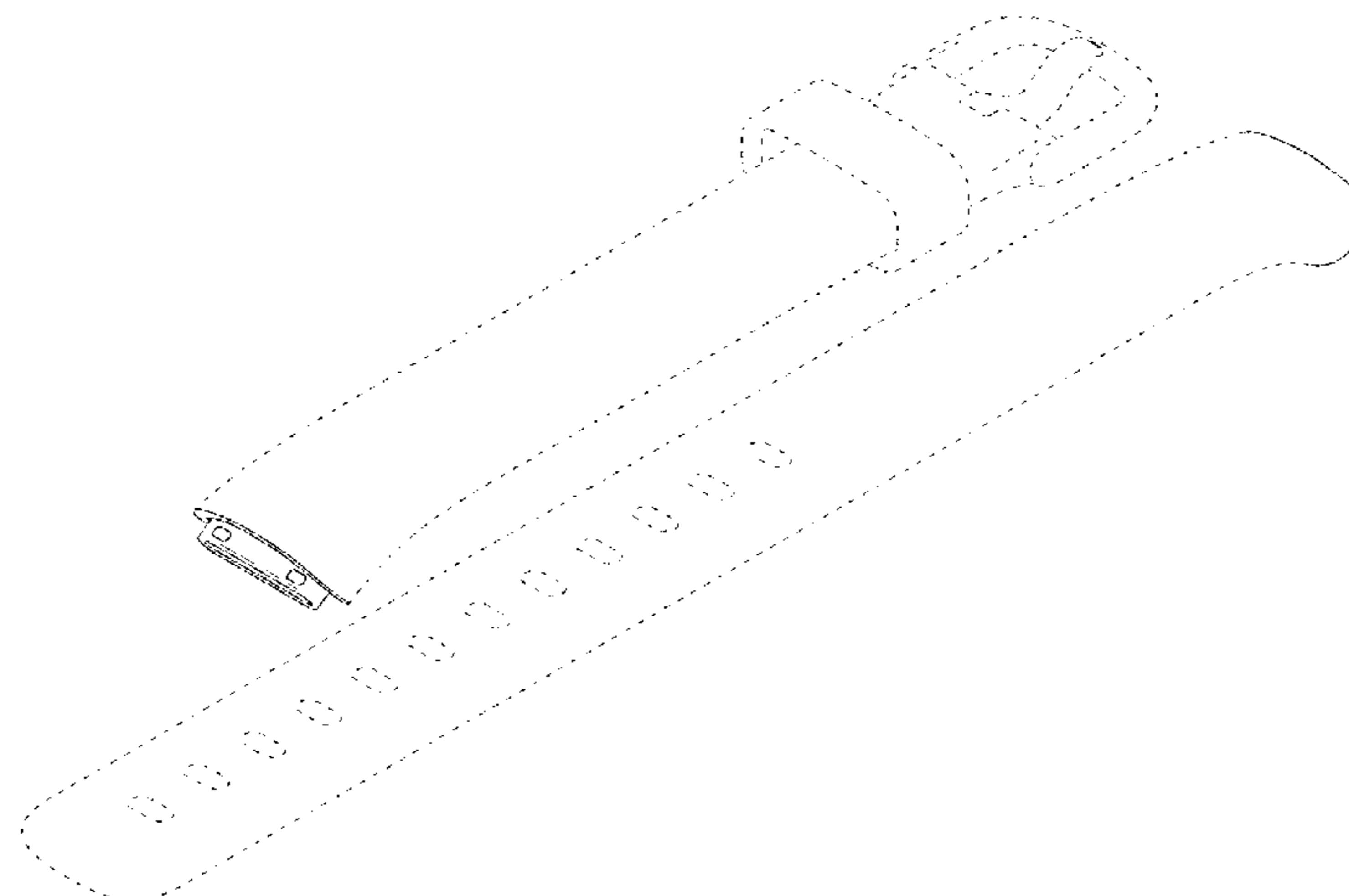
(63) Continuation of application No. 29/760,763, filed on Dec. 3, 2020.

(51) **LOC (13) Cl.** **11-01**

(52) **U.S. Cl.**
USPC **D11/3**

(58) **Field of Classification Search**
USPC D10/70, 32, 39, 30, 38; D11/12, 94, 3, D11/5; D14/344, 240; D24/186, 167
CPC . G06F 1/14; G06F 1/3203; G06F 1/08; G06F 1/10; G06F 1/04; Y02B 60/1217; H04B 1/385; H04B 1/3888; H04B 1/3833; H04M 1/6058; A44C 5/00

See application file for complete search history.



US D957,978 S

Page 2

9,891,665	B2 *	2/2018	Han	G06F 1/1637
D821,246	S	6/2018	Akana et al.	
D821,912	S	7/2018	Ke	
D822,526	S *	7/2018	Lean	D11/3
10,058,149	B1	8/2018	Wittenberg et al.	
D830,880	S	10/2018	Akana et al.	
D830,882	S	10/2018	Akana et al.	
D830,884	S	10/2018	Akana et al.	
D834,445	S	11/2018	Akana et al.	
D834,446	S *	11/2018	Akana	D11/94
10,136,543	B1 *	11/2018	Nadkarni	G06F 1/1656
D835,533	S *	12/2018	Zheng	D10/70
D836,478	S	12/2018	Wright et al.	
D837,087	S	1/2019	Akana et al.	
D837,088	S	1/2019	Akana et al.	
D837,089	S	1/2019	Akana et al.	
10,168,736	B2	1/2019	Lee et al.	
D841,512	S	2/2019	Paschke et al.	
10,194,836	B2 *	2/2019	Venkatraman	A61B 5/02416
D853,394	S	7/2019	McCracken et al.	
D857,011	S	8/2019	Kang et al.	
D858,516	S *	9/2019	Kang	D14/344
D858,517	S *	9/2019	Kern	D14/344
D862,277	S	10/2019	Ling et al.	
D862,459	S *	10/2019	Choplin	D14/344
D867,901	S *	11/2019	Wu	D10/32
D878,364	S *	3/2020	Kern	D14/344
D886,097	S	6/2020	Choplin et al.	
D886,098	S	6/2020	Choplin et al.	
D886,099	S	6/2020	Choplin et al.	
D886,100	S	6/2020	Choplin et al.	
D887,405	S	6/2020	Kozlovskaya et al.	
D895,613	S	9/2020	Kozlovskaya et al.	
D895,614	S	9/2020	Vandenbussche et al.	
D895,615	S	9/2020	Vandenbussche et al.	
10,809,666	B2	10/2020	Markan et al.	
D900,808	S	11/2020	Vandenbussche et al.	
D901,321	S	11/2020	Riot et al.	
D901,322	S	11/2020	Riot et al.	
D902,203	S	11/2020	Choplin et al.	
D902,769	S	11/2020	Riot et al.	
D903,664	S	12/2020	Riot et al.	
D906,871	S *	1/2021	Devaney	D11/94
D909,225	S	2/2021	Riot et al.	
D909,226	S	2/2021	Riot et al.	
D910,011	S	2/2021	Vandenbussche et al.	
D910,012	S	2/2021	Vandenbussche et al.	
D910,617	S	2/2021	Vandenbussche et al.	
D910,618	S	2/2021	Kozlovskaya et al.	
D911,330	S	2/2021	Kozlovskaya et al.	
D914,530	S *	3/2021	Riot	D11/3
2014/0218852	A1 *	8/2014	Alcazar	G06F 1/1635 361/679.03
2016/0084869	A1 *	3/2016	Yuen	G01P 15/0888 73/510
2017/0188669	A1	7/2017	Dukerschein et al.	
2018/0020785	A1 *	1/2018	Hundt	H04B 1/385 368/282
2018/0132738	A1 *	5/2018	Choi	H01M 50/209
2019/0174882	A1	6/2019	Cuenat et al.	
2020/0383434	A1	12/2020	Chung et al.	
2020/0405017	A1 *	12/2020	Hu	A44C 5/14

FOREIGN PATENT DOCUMENTS

CH	135962	5/2009
CN	203407616 U	1/2014
CN	104257043 A	1/2015
CN	303356820 S	9/2015
CN	206101834 U	4/2017
CN	304208736	7/2017
CN	206433908 U	8/2017
CN	207118680 U	3/2018
CN	304583103	4/2018
CN	304596407	4/2018
CN	207544504 U	6/2018
CN	304856828 S	10/2018
CN	304918326 S	11/2018
CN	109480402 A	3/2019

CN	305059475	3/2019
CN	305178214 S	5/2019
CN	305209026	6/2019
CN	305515189 S	12/2019
CN	111262327 A	6/2020
DE	102017128145 A1	5/2019
EM	002822676-0008	10/2015
EM	002822676-0009	10/2015
EM	004428274-0006	10/2017
EM	004710739-0002	2/2018
EM	005945755-0001	12/2018
EM	005945755-0002	12/2018
EM	005945755-0003	12/2018
GB	6085231	3/2020
GB	6085233	3/2020
JP	D1560512 S	9/2016
KR	101646541 B1	8/2016
KR	1020160091129 A	8/2016
WO	2018/187995 A	10/2018
WO	D211235-013	11/2020
WO	D211235-014	11/2020

OTHER PUBLICATIONS

POY Compatible Bands Replacement for Fitbit Alta, Fitbit Alta HR sold on Amazon. Website accessed Mar. 1, 2019.

Monster Fitness Multicolor Replacement Bands for Fitbit Flex sold on Amazon. Website accessed Mar. 1, 2019.

GK Fitbit Alta Bands—replacement sport strap bands for Fitbit Alta for sale at Walmart (www.walmart.com). Website accessed Nov. 7, 2018.

Suunto Core watchband on Instagram. Accessed Feb. 7, 2017.

Suppa G-Shock Strap Adapters, online at least as early as Dec. 13, 2013. Accessed Feb. 7, 2017.

Monserat de Lucca Measuring Tape Bracelet for sale at Shopbop (www.shopbop.com). Website accessed Nov. 11, 2018.

Marc by Marc Jacobs Engraved Turlock Leather Bangle Bracelet for sale at Shopbop (www.shopbop.com). Website accessed Nov. 11, 2018.

ACBEE Replacement watch band with buckle for Fitbit ALTA for sale at www.amazon.com, Website accessed Nov. 7, 2018.

PERFIT rubber watch band with double prong buckle and spring bars for sale at www.amazon.com. Website accessed Nov. 7, 2018.

Waterproof diving silicone rubber strap with clasp for sale at www.aliexpress.com (Alibaba Group). Website accessed Feb. 7, 2018.

Damusy Fitness Tracker Smart Band for sale at www.activityandfitness trackers.com. Website accessed Nov. 10, 2018.

Volemer F09HR Smart Band Fitness Tracker for sale at www.epaky.com. Website accessed Nov. 10, 2018.

“First Look: Fitbit announces new Fitbit Alta activity tracker”, published Feb. 3, 2016 on DC Rainmaker (www.dcrainmaker.com). Website accessed Nov. 10, 2018.

Fitbit Alta—for sale by Fitbit (https://www.fitbit.com/alta). Website accessed Mar. 27, 2017.

Fitbit Alta review published Mar. 25, 2016 on CNet (www.cnet.com). Website accessed Nov. 10, 2018.

Fitbit Charge 2 Heart Rate and Fitness Wristband for sale at www.amazon.co.uk. Website accessed Feb. 7, 2018.

Fitbit Flex Wireless Activity and Sleep Wristband for sale at www.amazon.com. Listed at least as early as Apr. 16, 2013.

Fitbit Ionic Accessory Band for sale at Nordstrom (https://shop.nordstrom.com). Website accessed Nov. 7, 2018.

Fitbit Alta HR Bands for sale at The Fitness Equipment Shop (www.thefitnessequipmentshop.com). Website accessed Nov. 17, 2018.

LUMINOX Replacement Rubber Watch Band Strap for sale at Walmart (www.walmart.com). Website accessed Nov. 7, 2018.

“MPOW DS-D6 Fitness Band Review” published Jan. 13, 2018 on ZeroAir (www.zeroair.wordpress.com). Website accessed Nov. 10, 2018.

“Fitbit Product Teardown” on Pinterest, pinned from www.ifixit.com. Website accessed Feb. 27, 2017.

- Pro Elite Medicine Ball by Power Systems (www.power-systems.com). Website accessed Feb. 7, 2018.
- Replacement metal watch band Connector for Fitbit Alta/Fitbit Alta HR for sale at Banggood (www.banggood.com). Website accessed Nov. 10, 2018.
- Citrine by the Stones Sol Forearm Band for sale at Shopbop (www.shopbop.com). Website accessed Nov. 11, 2018.
- Gorjana Mia Wrap Cuff for sale at Shopbop (www.shopbop.com). Website accessed Nov. 11, 2018.
- Fintie for Gear S2 Watch Band Stainless Steel Metal Replacement Strap, for sale at www.amazon.com. Website accessed Apr. 24, 2019.
- Fitbit Inspire HR review: One size, many styles, fit all, posted May 24, 2019, [retrieved Jun. 5, 2019]. Retrieved from Internet, <URL:<https://www.rnacworld.com/article/3397320/fitbit-inspire-hr-review.html>>.
- The New Fitbit Inspire HR is Finally Available to the Public!, posted Mar. 6, 2019, [retrieved Jun. 5, 2019]. Retrieved from Internet, <URL: <https://arnyeverafter.com/new-fitbit-inspire-hr-smartwatch/>>.
- U.S. Appl. No. 29/712,115, filed Nov. 5, 2019, applicant Fitbit, Inc.
- U.S. Appl. No. 29/710,723, filed Oct. 25, 2019, applicant Fitbit, Inc.
- U.S. Appl. No. 29/722,312, filed Jan. 28, 2020, applicant Fitbit, Inc.
- U.S. Appl. No. 29/722,314, filed Jan. 28, 2020, applicant Fitbit, Inc.
- U.S. Appl. No. 29/708,648, filed Oct. 8, 2019, applicant Fitbit, Inc.
- U.S. Appl. No. 29/707,456, filed Sep. 27, 2019, applicant Fitbit, Inc.
- U.S. Appl. No. 29/705,182, filed Sep. 10, 2019, applicant Fitbit, Inc.
- U.S. Appl. No. 29/711,032, filed Oct. 28, 2019, applicant Fitbit, Inc.
- U.S. Appl. No. 29/760,763, filed Dec. 3, 2020, applicant Fitbit, Inc.
- U.S. Appl. No. 29/716,025, filed Dec. 5, 2019, applicant Fitbit, Inc.
- U.S. Appl. No. 29/705,460, filed Sep. 12, 2019, applicant Fitbit, Inc.
- “New Fitbit Versa on the way with built-in Amazon Alexa?” Source: <https://www.androidauthority.com/fitbit-versa-2-amazon-alexa-1014860/>. Website accessed Mar. 17, 2020.
- Connect By Timex Active Smartwatch with Heart Rate, Notifications and Activity Tracking, available at Amazon.com (<https://www.amazon.com/iConnect-Timex-TW5M34400-Active-Smartwatch/dp/B07XZRQBGV>). Website accessed Mar. 17, 2020.
- Alfawise H19 RFID Sports Smartwatch Fitness Tracker—Black, available at [gearbest.com](https://www.gearbest.com/smart-watches/pp_009207049039.html?wid=1433363) (https://www.gearbest.com/smart-watches/pp_009207049039.html?wid=1433363). Website accessed Mar. 17, 2020.
- Ergofinity™ Bluetooth Smart Watch available at [ergofinity.com](https://ergofinity.com/products/bluetooth-smart-watch-ios-android) (<https://ergofinity.com/products/bluetooth-smart-watch-ios-android>). Website accessed Mar. 17, 2020.
- Amazfit BIP Lite.3ATM Smart Watch (Blue) available at [www.amazon.in](https://www.amazon.in/Amazfit-Lite-3ATM-Smart-Watch/dp/B07WQWDYJ7/ref=asc_df_B07WQWDYJ7/?tag=googleshopdes-21&linkCode=df0&hvadid=397082878775&hvpos=&hvnetw=g&hvrand=13400080515884943460&hvpone=&hvptwo=&hvqmt=&hvdev=c&hvdvcmdl=&hvlocint=&hvlocphy=1007765&hvtargid=pla-819594895182&pvc=1&ext_vmc=hi) (https://www.amazon.in/Amazfit-Lite-3ATM-Smart-Watch/dp/B07WQWDYJ7/ref=asc_df_B07WQWDYJ7/?tag=googleshopdes-21&linkCode=df0&hvadid=397082878775&hvpos=&hvnetw=g&hvrand=13400080515884943460&hvpone=&hvptwo=&hvqmt=&hvdev=c&hvdvcmdl=&hvlocint=&hvlocphy=1007765&hvtargid=pla-819594895182&pvc=1&ext_vmc=hi). Website accessed Mar. 17, 2020.
- Watch Repair Tool Stainless Connector Watch Accessory For Samsung Gear Fit 2 Pro Replace Tools Connect Device For Gear Fit 2, available at Ali Express (https://www.aliexpress.com/item/32953625569.html?aff_platform=dynamic-window&sk=AMnm2vF&aff_trace_key=fb0d3327f41349d3b416c0af3d374d93-1584617558441-08967-AMnm2vF&terminal_id=830dca5b7b89422b94f4fe85b01e7764&aff_request_id=fb0d3327f41349d3b416c0af3d374d93-1584617558441-08967-AMnm2vF). Website accessed Mar. 23, 2020.
- Watch Repair Tool Stainless Connector Watch Accessory For Samsung Gear Fit 2 Pro Replace Tools Connect Device For Gear Fit 2—Ali Express (https://www.aliexpress.com/item/32953625569.html?aff_platform=dynamic-window&sk=AMnm2vF&aff_trace_key=fb0d3327f41349d3b416c0af3d374d93-1584617558441-08967-AMnm2vF&terminal_id=830dca5b7b89422b94f4fe85b01e7764&aff_request_id=fb0d3327f41349d3b416c0af3d374d93-1584617558441-08967-AMnm2vF). Website accessed Feb. 23, 2021.
- Silicone Rubber Waterproof Watch Strap Band FORTE Spring Bars, for sale at eBay (<https://www.ebay.com.au/itm/Silicone-Rubber-Waterproof-Watch-Strap-Band-FORTE-Spring-Bars-20mm-22mm-24mm-/272077865335>). Website accessed Dec. 6, 2019.
- Kartice Compatible with Fitbit Inspire Bands/Fitbit Inspire HR Bands, for sale at www.amazon.com. Website accessed Jun. 10, 2019.
- Tuscom Replacement Bands Compatible with Fitbit Inspire and Fitbit Inspire HR, for sale at www.amazon.com. Website accessed Jun. 10, 2019.
- ACBEE Fitbit alta Band, Watch Buckle Design, for sale on amazon.com (https://www.amazon.com/ACBEE-Perfect-Replacement-Original-Band-Neve/dp/B01G2IECXO/ref=as_li_ss_tlie=UTF8&linkCode=sll1&tag=mbyte-20&linkId=d7045d83d76ae70cec2212,2019.55ad2f282088&linkCode=w61&imprToken=n-LMJ6kaAeLbRPMusOUq7A&slotNum=14). Website accessed Jun. 12, 2019.
- Gold premium NATO strap Le Mans, for sale at cheapestnatostraps.com (<https://www.cheapestnatostraps.com/products/gold-premium-nato-strap-le-mans>). Website accessed Dec. 6, 2019.
- Alfawise H19 RFID Sports Smartwatch Fitness Tracker for sale at gearbest.com (https://www.gearbest.com/smart-watches/pp_009207049039.html?wid=1433363). Website accessed Dec. 6, 2019.
- Fitbit Versa Smartwatch and Activity Tracker with Classic Band for sale at HSN (<https://www.hsn.com/products/fitbit-versa-smartwatch-and-activity-tracker-with-class/8688605>). Website accessed Dec. 6, 2019.
- Fitbit Versa Smartwatch for sale at kohls.com (<https://www.kohls.com/product/prd-3296179/fitbit-versa-smart-fitness-watch-non-nfc.jsp>). Website accessed Dec. 6, 2019.
- Princeton University 18mm NATO Watch Strap with Silver Fittings for sale at Smart Turnout (<https://smartturnout.com/university-watchstrap-princeton-university/>). Website accessed Dec. 6, 2019.
- Fitbit Ace 2 activity tracker for kids 6+, for sale at fitbit.com (<https://www.fitbit.com/us/products/trackers/ace2?sku=414BKBU>). Website accessed Jan. 2020.
- Samsung Galaxy Fit, Black, available from Samsung (<https://www.samsung.com/us/mobile/wearables/smart-fitness-bands/samsung-galaxy-fit-sm-r370nzkaxar/>). Website accessed Mar. 16, 2020.
- “Colorful TPE Strap Replacement Sport Wrist Watch Band for Xiaomi Miband 3 Miband 4—No. 2” available from Banggood (https://www.banggood.in/Colorful-TPE-Strap-Replacement-Sport-Wrist-Watch-Band-for-Xiaomi-Miband-3-Miband-4-p-1307559.html?ID=529070&cur_warehouse=CN). Website accessed Mar. 16, 2020.
- Samsung’s 6th smartwatch has a 3G modem and a massive curved display, posted Aug. 28, 2014, [retrieved Jun. 5, 2019]. Retrieved from Internet, <URL:<https://arstechnica.com/gadgets/2014/08/samsungs-6th-smartwatch-has-a-3g-modern-and-a-massive-curved-display/>>.
- Microsoft Band 2 Fitness Tracker with Curved Screen Announced, posted Oct. 7, 2015, [retrieved Jun. 5, 2019]. Retrieved from Internet, <URL: <https://gadgets.in.com/microsoft-band-2-fitness-tracker-with-curved-screen-announced.html>>.
- Samsung Introduces Three New Wearables for Balanced and Connected Living, Samsung Newsroom, posted Dec. 20, 2019, accessed Feb. 25, 2019. <URL: <https://news.samsung.com/us/samsung-wearable-galaxy-watch-active-galaxy-fit-galaxy-buds-unpacked-2019/>>.
- Wang et al. “Integrity Protection for Code-On-Demand Mobile Agents,” *Journal of Systems and Software*, vol. 60, Issue 3, pp. 211-221, downloaded from: <https://www.researchgate.net/researcher/9579357TianhanWang>, Feb. 15, 2002.
- Seifert, “Making Time: how Pebble built its next smartwatch,” downloaded from: <http://www.theverge.com/2015/2124/8091175/pebble-time-watchwearable-platform-eric-migicovsky-interview>, The Verge, Feb. 24, 2015.
- Fitbit Charge 3 leak hints at massive changes, posted Aug. 14, 2018, [retrieved Jan. 29, 2019]. Retrieved from Internet, <URL: <https://www.slashgear.com/fitbit-charge-3-leak-hints-at-massive-changes-14541228/>>.
- New Fitbit is a waterproof smartwatch in disguise, posted Aug. 28, 2018, [retrieved Jan. 29, 2019]. Retrieved from Internet, <URL: https://www.fox5vegas.com/archives/new-fitbit-is-a-waterproof-smartwatch-in-disguise/article_277bf36f-2e79-5b48-b490-1abce7603fae.html>.
- Silicone Sport wristband Watch band For Samsung Gear Fit 2 SM-R360 smart watch For Samsung Gear Fit 2 vatchbands Acces-

sories, (https://www.aliexpress.com/item/32971838973.html?spm=a2g0o.detail.1000060.3.1198663401_rmW0&gps-id=pcDetailBottomMoreThisSeller&scm=1007.14977.161853.0&scm_id=1007.14977.161853.0&scm-url=1007.14977.161853.0&pvid=3d36c6f6-e362-4370-a5c4-56b67fe813e6&t=gps-id:pcDetailBottomMoreThisSeller).

(cont'd) . . . scm-url:1007.14977.161853.0,pvid:3d36c6f6-e362-4370-a5c4-56b67fe813e6,tp buckets:668%230%23131923%2313_668%23808%234093%2395_668%23888%233325%239). Website accessed Mar. 23, 2020.

Silicone Sport wristband Watch band For Samsung Gear Fit 2 SM-R360 smart watch For Samsung Gear Fit 2 vatchbands Accessories—Ali Express (https://www.aliexpress.com/item/32971838973.html?spm=a2g0o.detail.1000060.3.1198663401_rmW0&gps-id=pcDetailBottomMoreThisSeller&scm=1007.14977.161853.0&scm_id=1007.14977.161853.0&scm-url=1007.14977.161853.0&pvid=3d36c6f6-e362-4370-a5c4-56b67fe813e6&t=gps-id:pcDetailBottomMoreThisSeller).

(cont'd) . . . scm-url: 1007.14977.161853.0,pvid:3d36c6f6-e362-4370-a5c4-56b67fe813e6,tp buckets:668%230%23131923%2313_668%23808%234093%2395_668%23888%233325%239). Website accessed Feb. 23, 2021.

* cited by examiner

Primary Examiner — L. A. Grabenstetter

Assistant Examiner — Antoinette Martine Suiter

(74) *Attorney, Agent, or Firm* — Leason Ellis LLP

(57)

CLAIM

The ornamental design for a set of bands for a fitness tracker, as shown and described.

DESCRIPTION

FIG. 1 is a top side isometric view of a set of bands for a fitness tracker;

FIG. 2 is a bottom side isometric view thereof

FIG. 3 is a front side elevation view thereof.

FIG. 4 is a back side elevation view thereof.

FIG. 5 is a right side elevation view thereof.

FIG. 6 is a left side elevation view thereof.

FIG. 7 is a top plan view thereof.

FIG. 8 is a bottom plan view thereof; and,

FIG. 9 is a cross sectional view of one of the bands taken along line 9-9 in FIG. 7.

The features shown in dash-dash lines in the drawing depict portions of set of bands for a fitness tracker and the broken lines form no part of the claimed design.

1 Claim, 9 Drawing Sheets

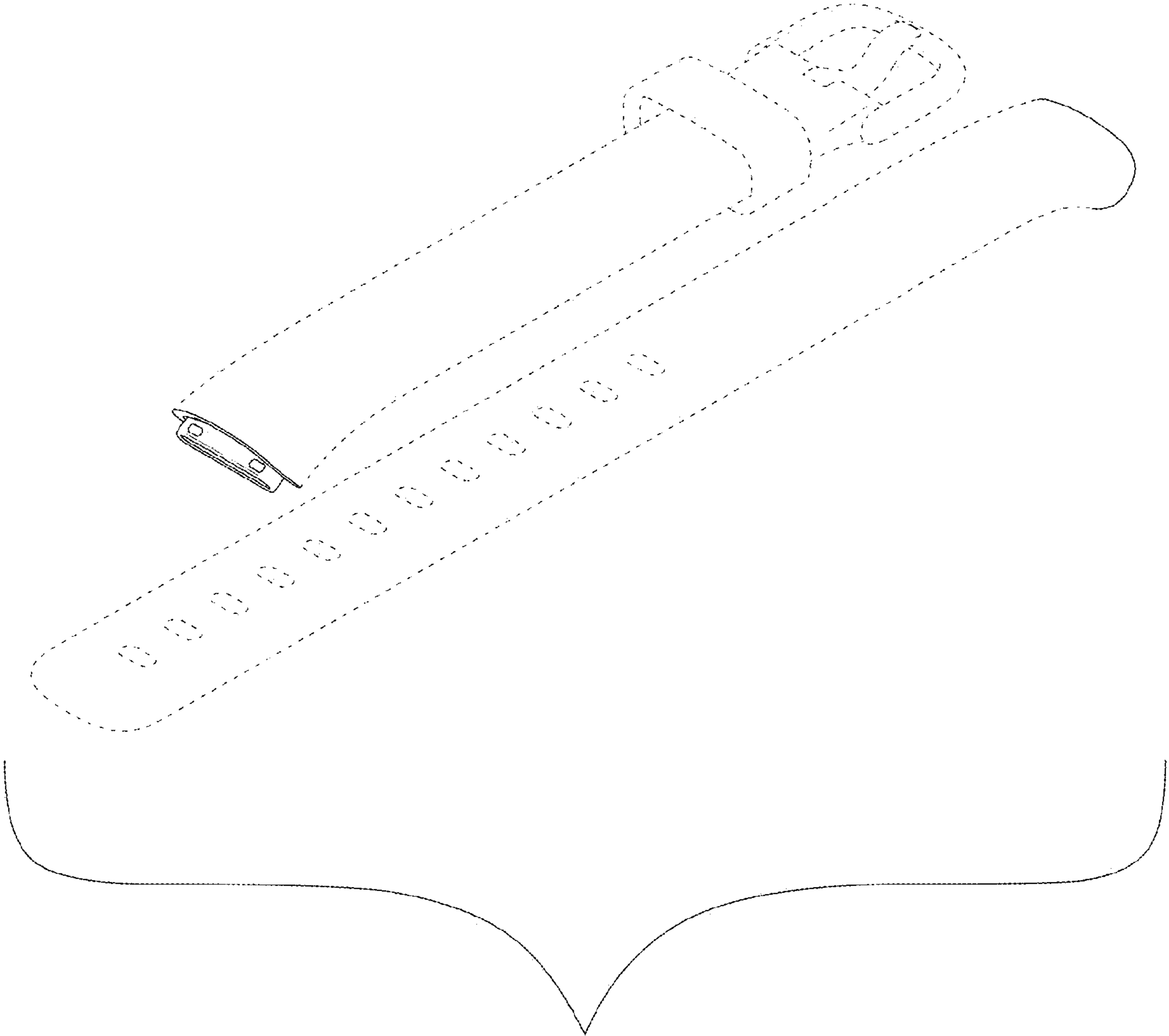


FIG. 1

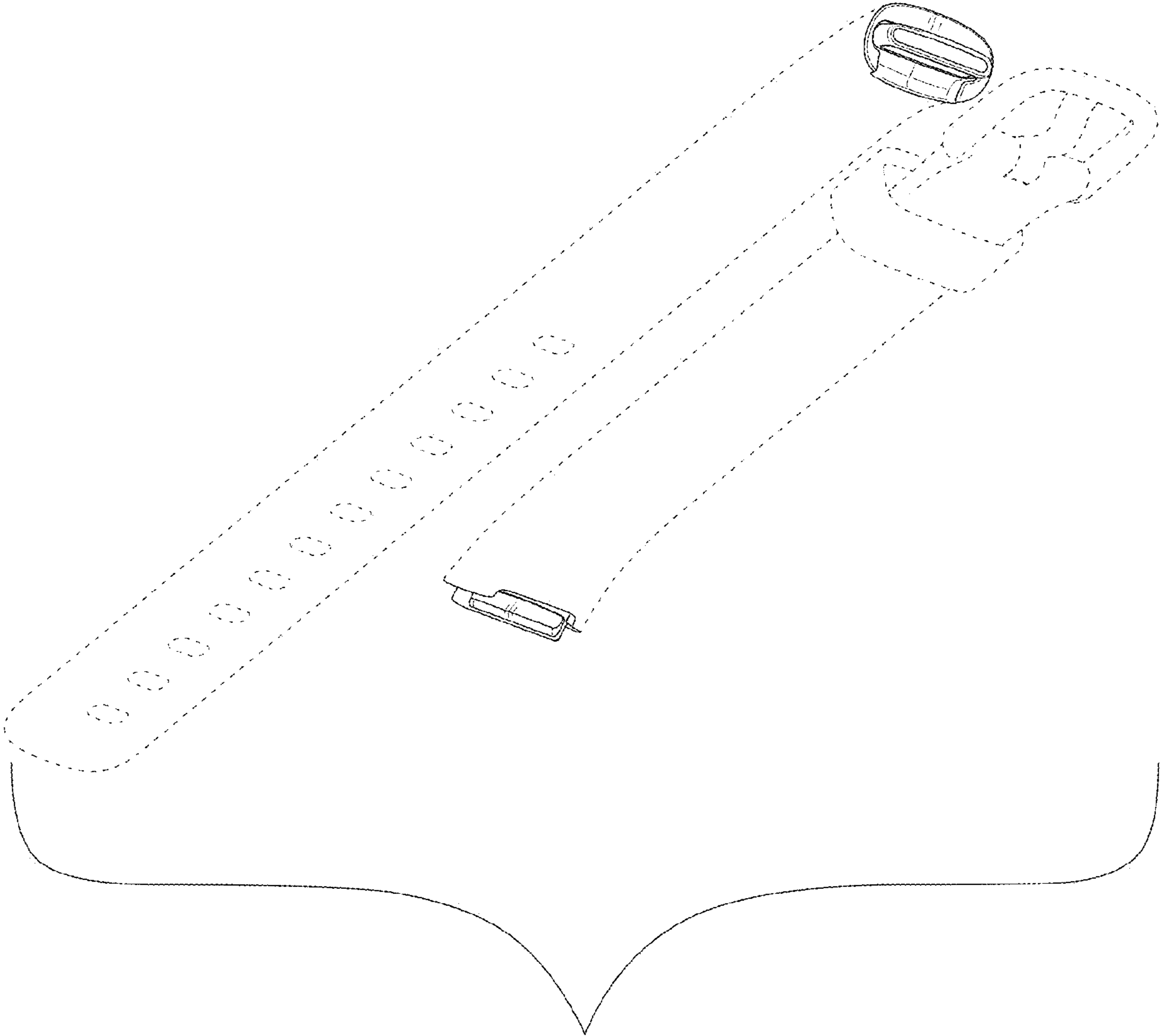


FIG. 2

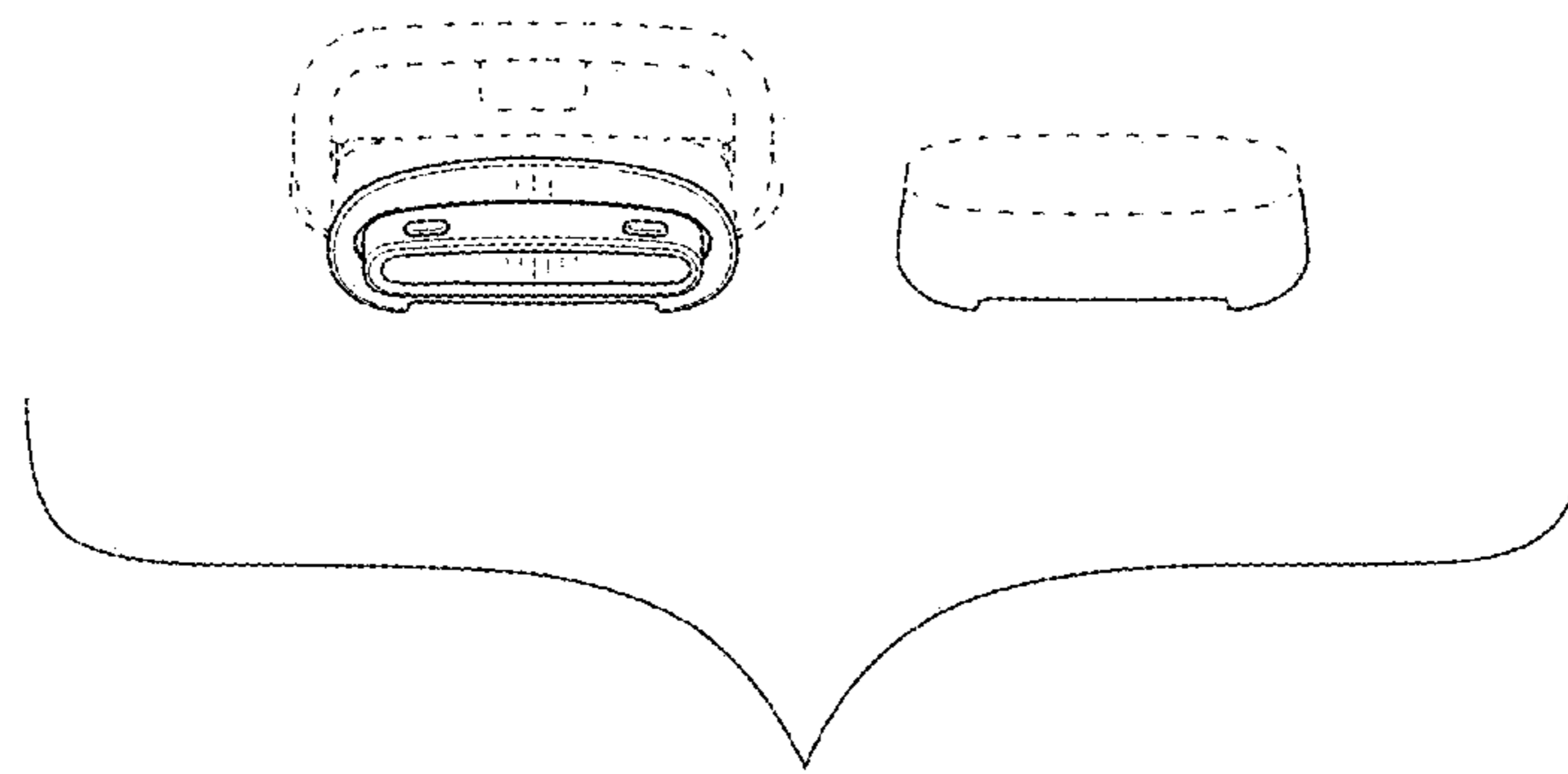


FIG. 3

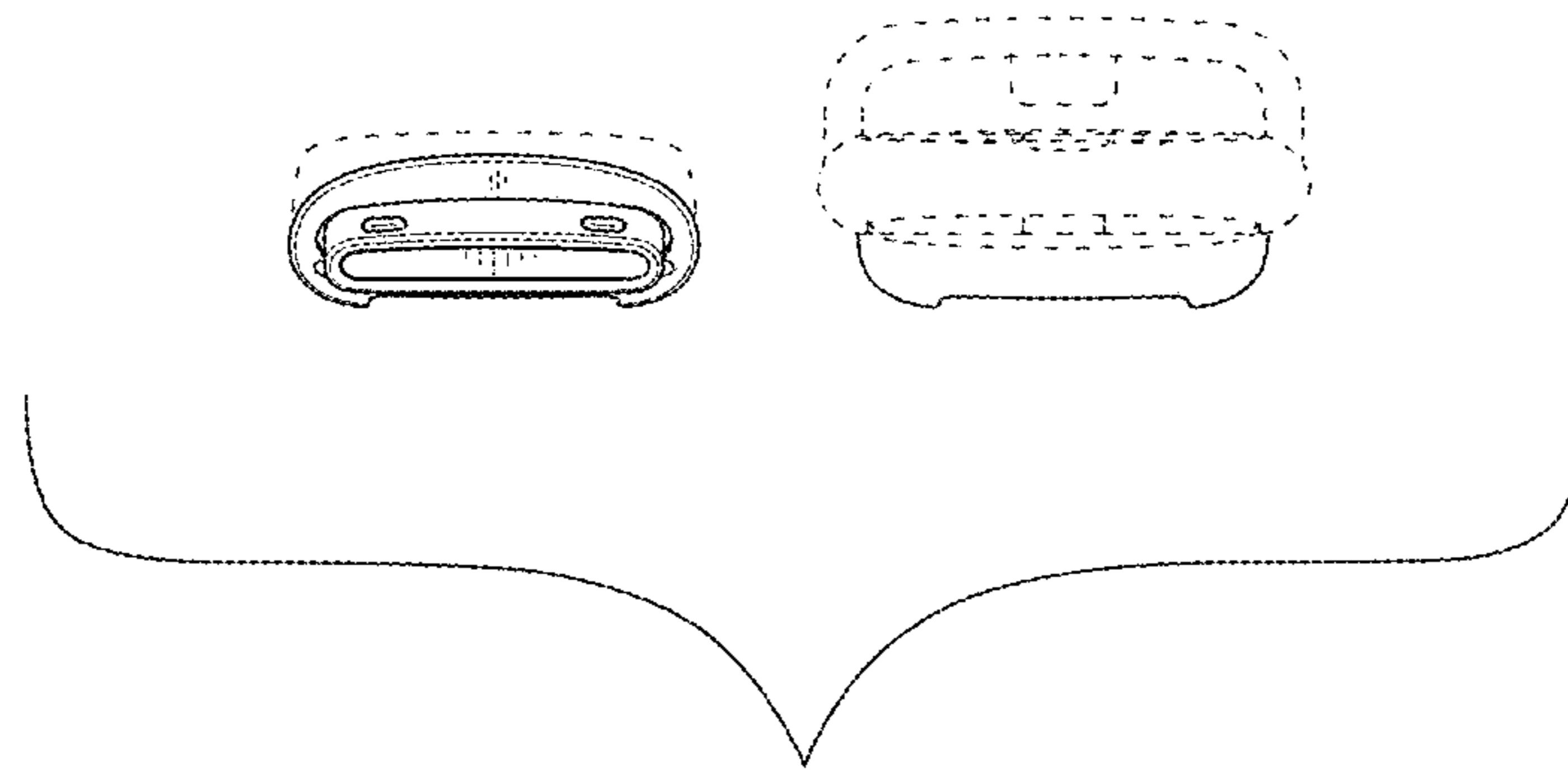


FIG. 4

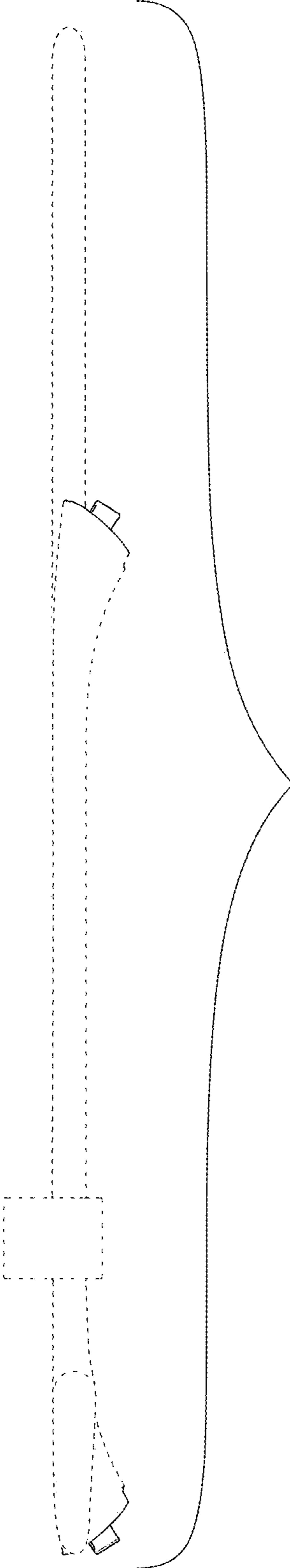


FIG. 5

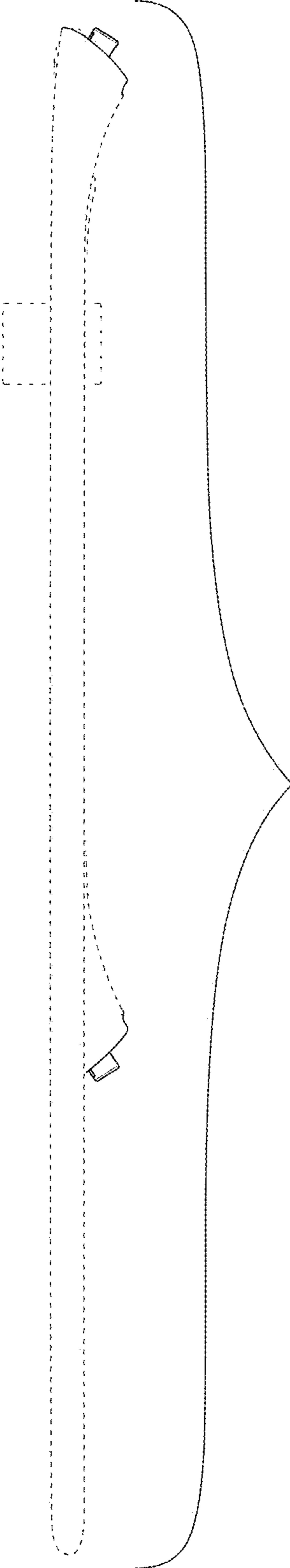


FIG. 6

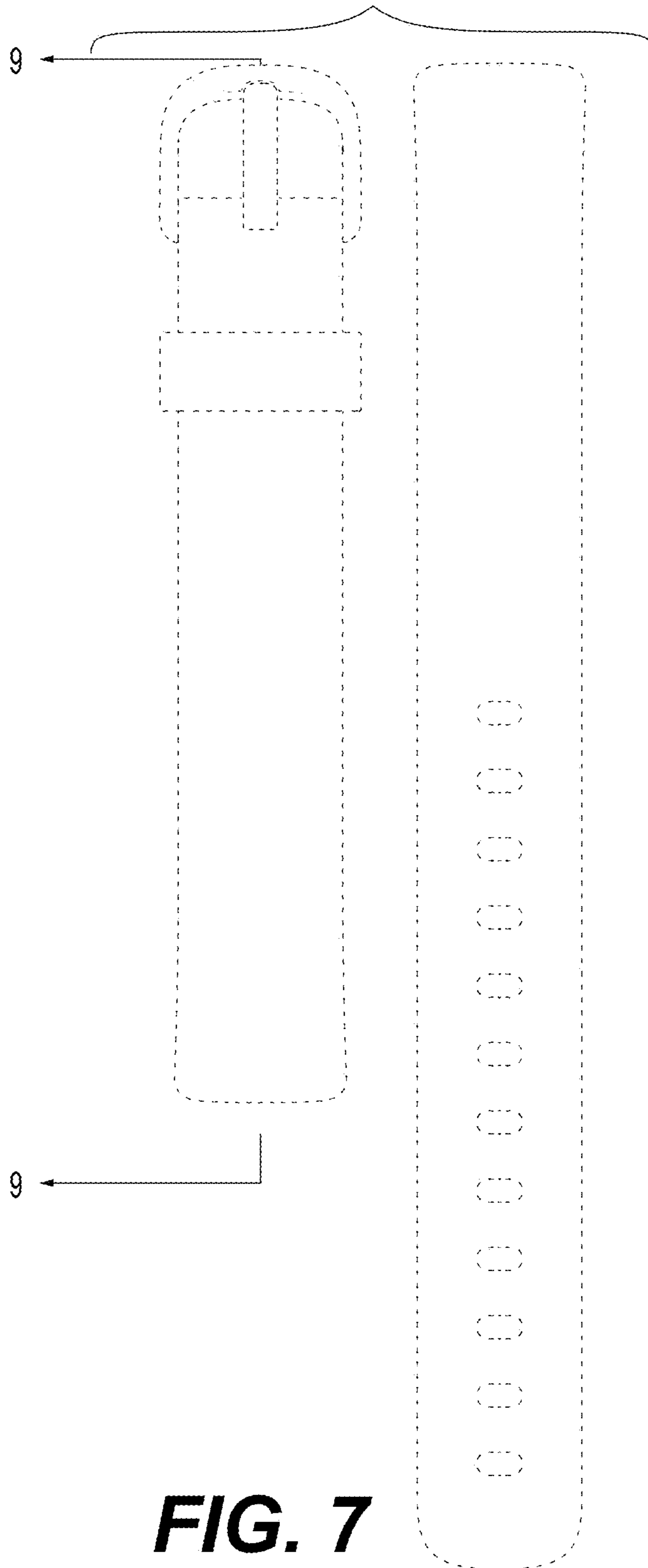


FIG. 7

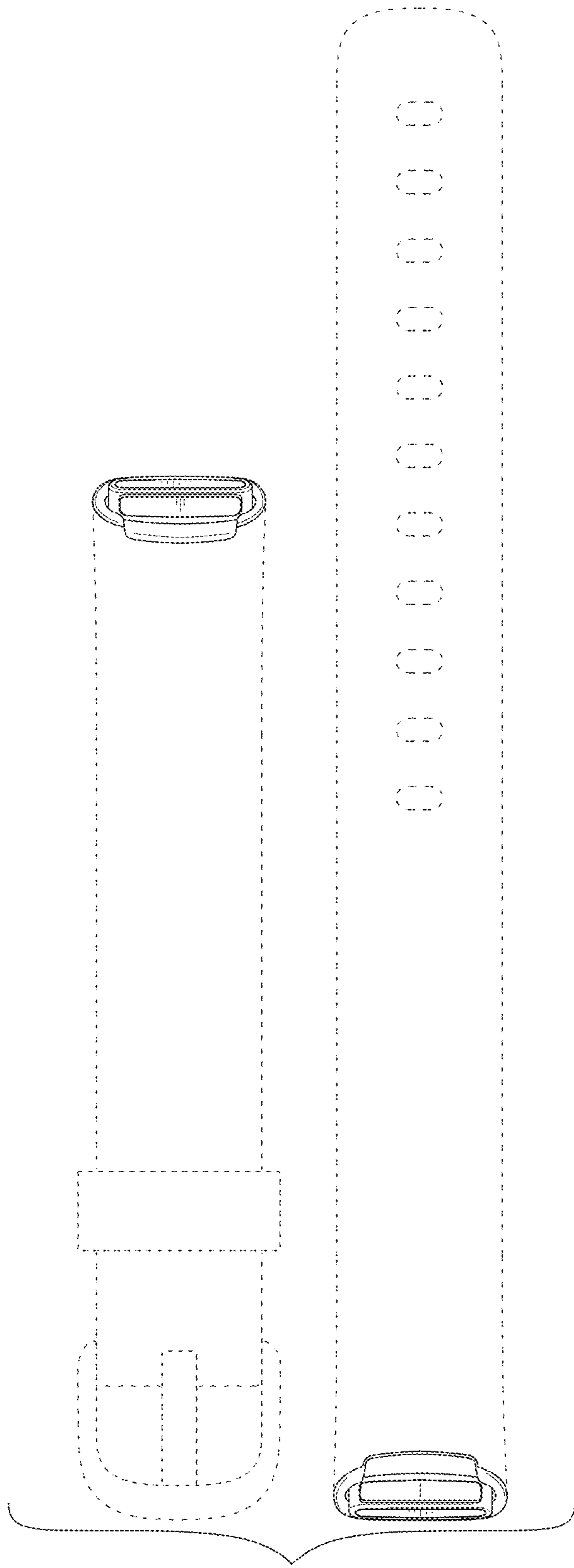


FIG. 8

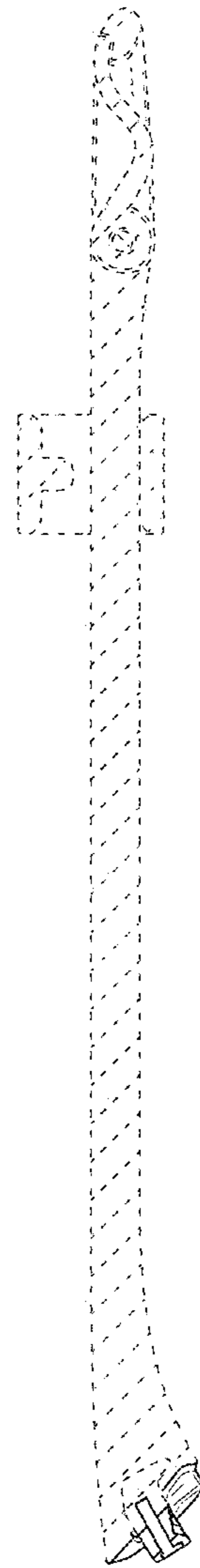


FIG. 9