



US00D957977S

(12) **United States Design Patent** (10) **Patent No.:** **US D957,977 S**
Cao (45) **Date of Patent:** **** Jul. 19, 2022**

(54) **WATCH BAND**

(71) Applicant: **Yixiang Cao**, Chenzhou (CN)

(72) Inventor: **Yixiang Cao**, Chenzhou (CN)

(**) Term: **15 Years**

(21) Appl. No.: **29/769,671**

(22) Filed: **Feb. 7, 2021**

(51) **LOC (13) Cl.** **11-01**

(52) **U.S. Cl.**
USPC **D11/3**

(58) **Field of Classification Search**
USPC D11/1-3; D10/31, 32; D14/344;
D30/152, 153

CPC A44C 5/00; A44C 5/0053; A44C 5/0069;
A44C 5/16; A44C 5/20

See application file for complete search history.

(56) **References Cited**

U.S. PATENT DOCUMENTS

D727,197 S	*	4/2015	Akana	D11/3
D747,997 S	*	1/2016	Akana	D11/3
D755,662 S	*	5/2016	Akana	D11/3
D779,993 S	*	2/2017	Akana	D11/3
D805,643 S	*	12/2017	Wu	D24/167
D812,608 S	*	3/2018	Jones	D14/344
D821,246 S	*	6/2018	Akana	D11/3
D824,273 S	*	7/2018	Akana	D11/3
D826,763 S	*	8/2018	Chuang	D11/3
D839,121 S	*	1/2019	Liu	D11/3
D860,033 S	*	9/2019	Quan	D11/3
D863,095 S	*	10/2019	Akana	D11/3
D876,244 S	*	2/2020	Park	D10/32
D879,646 S	*	3/2020	Lin	D11/3
D881,060 S	*	4/2020	Wang	D11/3
D882,445 S		4/2020	Cao		
D894,033 S	*	8/2020	Zhang	D11/3
D901,321 S	*	11/2020	Riot	D14/344
D901,322 S	*	11/2020	Riot	D14/344

D902,769 S	*	11/2020	Riot	D14/344
D909,225 S	*	2/2021	Riot	D14/344
D911,205 S	*	2/2021	Chung	D11/3
11,033,082 B1	*	6/2021	Riot	A44C 5/147
D926,615 S	*	8/2021	Li	D11/3
D933,648 S	*	10/2021	Yu	D14/344
D935,453 S	*	11/2021	Gao	D14/344
D938,295 S	*	12/2021	Akana	D11/3
D940,582 S	*	1/2022	Akana	D11/3
D943,448 S	*	2/2022	Huang	D11/3

(Continued)

OTHER PUBLICATIONS

JXGM Compatible with Apple Watch Bands, for sale on www.amazon.com since at least Oct. 20, 2020, online. URL:<"https://www.amazon.com/JXGM-Compatible-Wristbands-Replacement-Classic01/dp/B09CH6QV8L/"> (Year: 2020).*

(Continued)

Primary Examiner — Llorellys Martinez

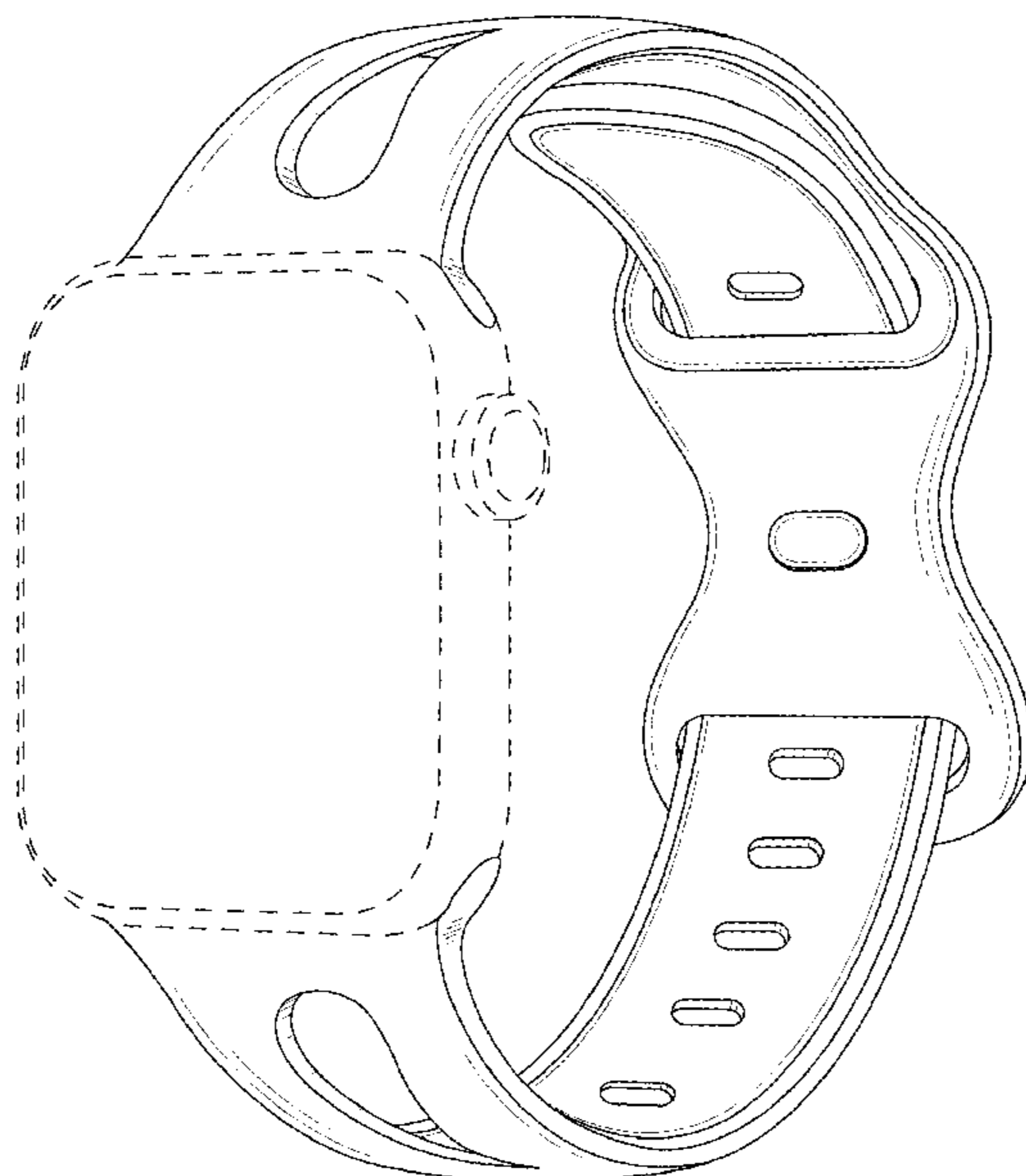
(57) **CLAIM**

The ornamental design for a watch band, as shown and described.

DESCRIPTION

FIG. 1 is a perspective view of a watch band showing my new design;
FIG. 2 is another perspective view thereof;
FIG. 3 is a front view thereof;
FIG. 4 is a rear view thereof;
FIG. 5 is a left side view thereof;
FIG. 6 is a right side view thereof;
FIG. 7 is a top plan view thereof; and,
FIG. 8 is a bottom plan view thereof.
The broken lines in FIGS. 1 and 2 represent environmental subject matter only that forms no part of the claimed design.

1 Claim, 7 Drawing Sheets



(56)

References Cited

U.S. PATENT DOCUMENTS

D946,446 S * 3/2022 Zheng D11/3
2017/0065224 A1 * 3/2017 Rahko A61B 5/02427

OTHER PUBLICATIONS

STG Sport Band Compatible with Apple Watch, for sale on www.amazon.com since at least Dec. 15, 2020, online. URL:<“https://www.amazon.com/STG-Compatible-Silicone-Narrow-Replacement/dp/B087NHRDPB/”> (Year: 2020).*

Acrbiutu Bands Compatible with Apple Watch, for sale on www.amazon.com since at least Sep. 2, 2019, online. URL:<“https://www.amazon.com/Acrbiutu-Compatible-Replacement-Accessory-Wristband/dp/B089KC3NBF/”> (Year: 2019).*

Getino Slim Sport Band Compatible for Apple Watch, for sale on www.amazon.com since at least Sep. 2, 2019, online. URL:<“https://www.amazon.com/Getino-Sport-Compatible-Apple-iWatch/dp/B08MX68MG7/”> (Year: 2019).*

* cited by examiner

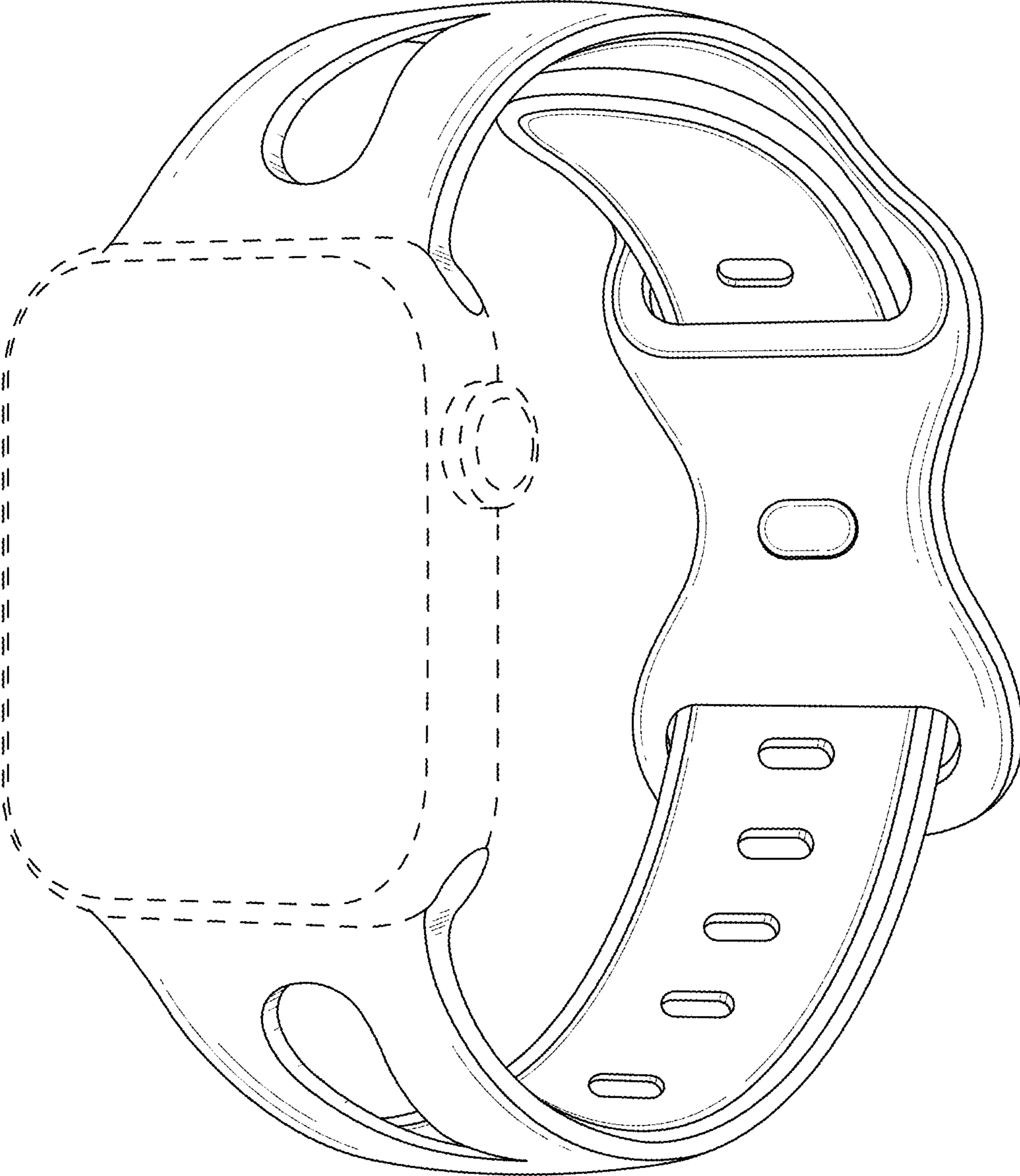


FIG. 1

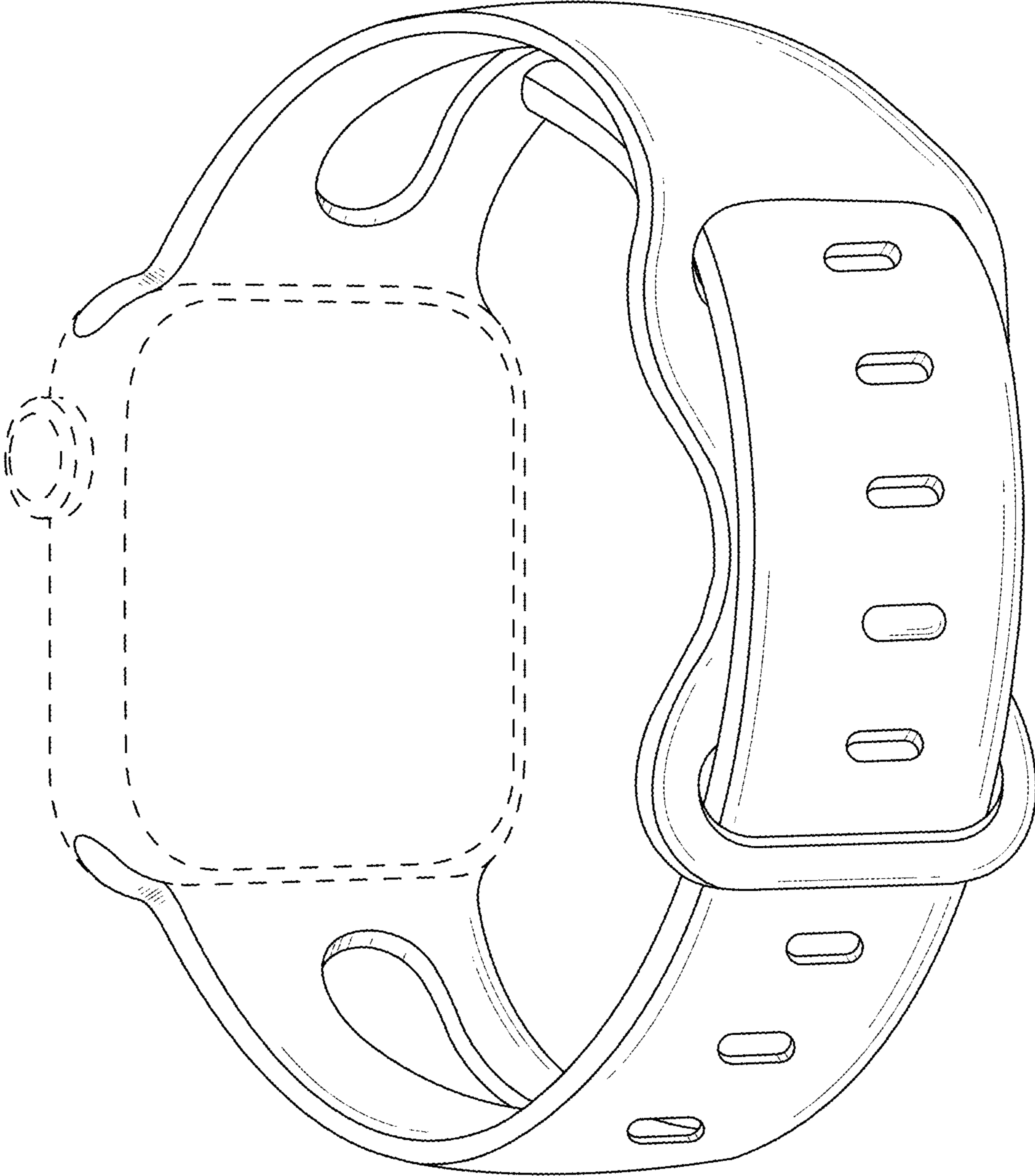


FIG. 2

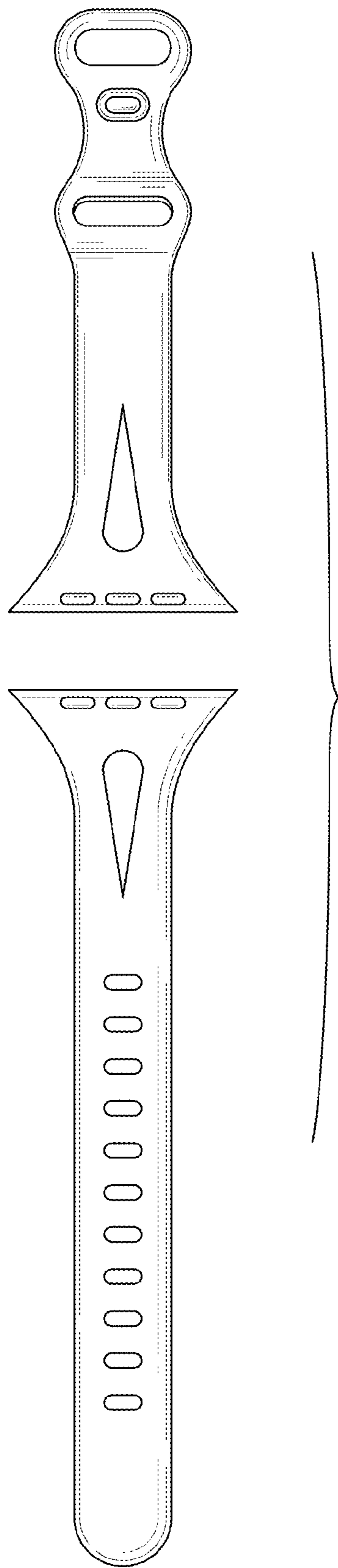


FIG. 3

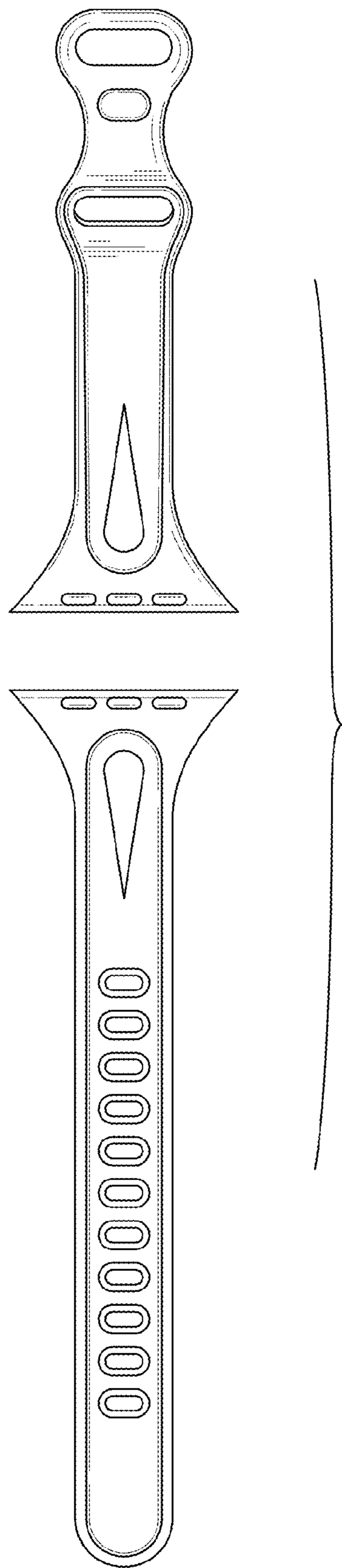


FIG. 4

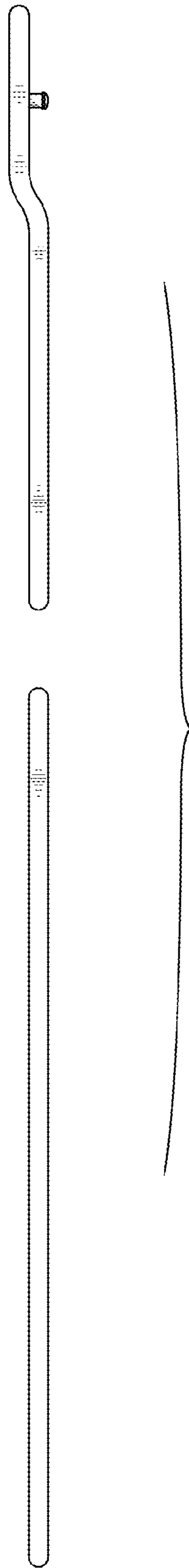


FIG. 5

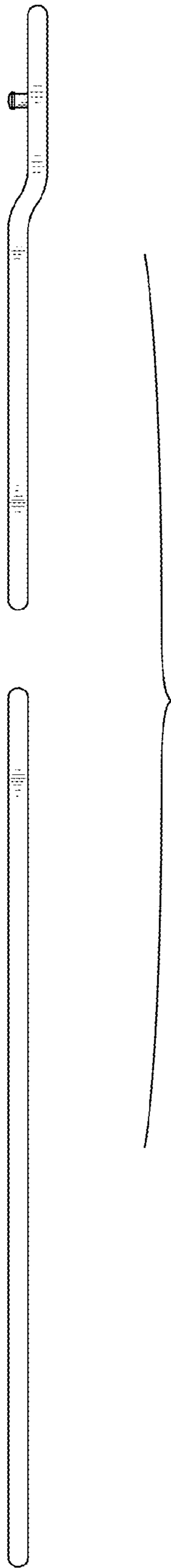


FIG. 6

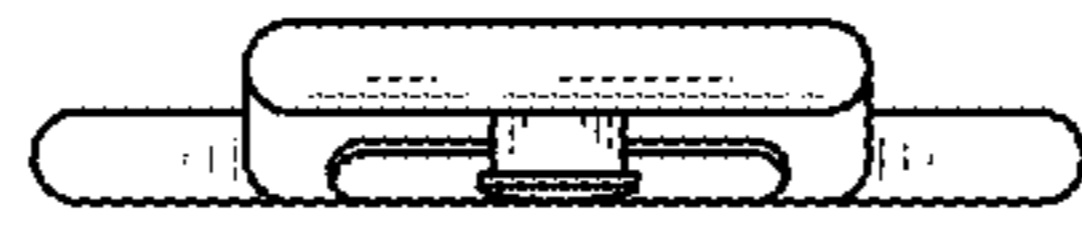


FIG. 7

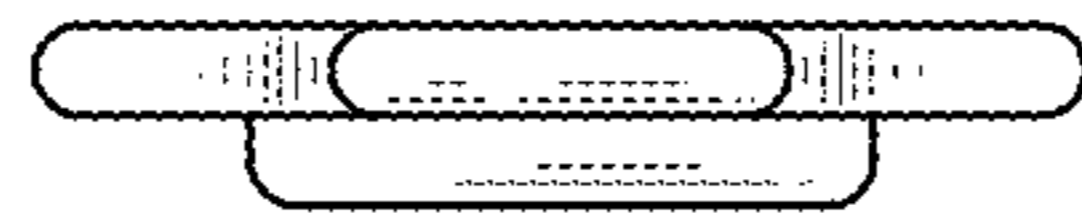


FIG. 8