

US00D957976S

(12) **United States Design Patent**  
**Ye et al.**

(10) **Patent No.:** **US D957,976 S**

(45) **Date of Patent:** **\*\* Jul. 19, 2022**

(54) **SMART DOORBELL**

(71) Applicant: **Tianjin HuaLai Technology Co., Ltd,**  
Tianjin (CN)

(72) Inventors: **Ting Ye,** Tianjin (CN); **Junbin Yang,**  
Tianjin (CN); **Yu Cui,** Tianjin (CN)

(73) Assignee: **TIANJIN HUALAI TECHNOLOGY**  
**CO., LTD,** Tianjin (CN)

(\*\*) Term: **15 Years**

(21) Appl. No.: **29/716,932**

(22) Filed: **Dec. 13, 2019**

(30) **Foreign Application Priority Data**

Jul. 24, 2019 (CN) ..... 201930396851.6

(51) **LOC (13) Cl.** ..... **10-05**

(52) **U.S. Cl.**  
USPC ..... **D10/118.2**

(58) **Field of Classification Search**  
USPC ..... D10/106.6, 106.7, 106.8, 116.1, 118,  
D10/118.2, 121-124, 126; D13/171, 174;  
D14/358; D16/202, 203, 208, 209, 215  
CPC ... G08B 3/00; G08B 3/10; G08B 7/00; G08B  
7/06; G08B 13/1436; G08B 13/1463;  
G08B 13/1481

See application file for complete search history.

(56) **References Cited**

**U.S. PATENT DOCUMENTS**

D344,036 S \* 2/1994 Yuen ..... D10/118  
D842,156 S \* 3/2019 Hanna ..... D10/118.2

D897,878 S \* 10/2020 Lian ..... D10/118.2  
D921,511 S \* 6/2021 Li ..... D10/118.2  
D923,505 S \* 6/2021 Scalisi ..... D10/118.2  
D928,005 S \* 8/2021 Smalley ..... D10/118.2  
D939,991 S \* 1/2022 Yang ..... D10/118.2

\* cited by examiner

*Primary Examiner* — Joseph Kukella

(74) *Attorney, Agent, or Firm* — Bayramoglu Law Offices  
LLC

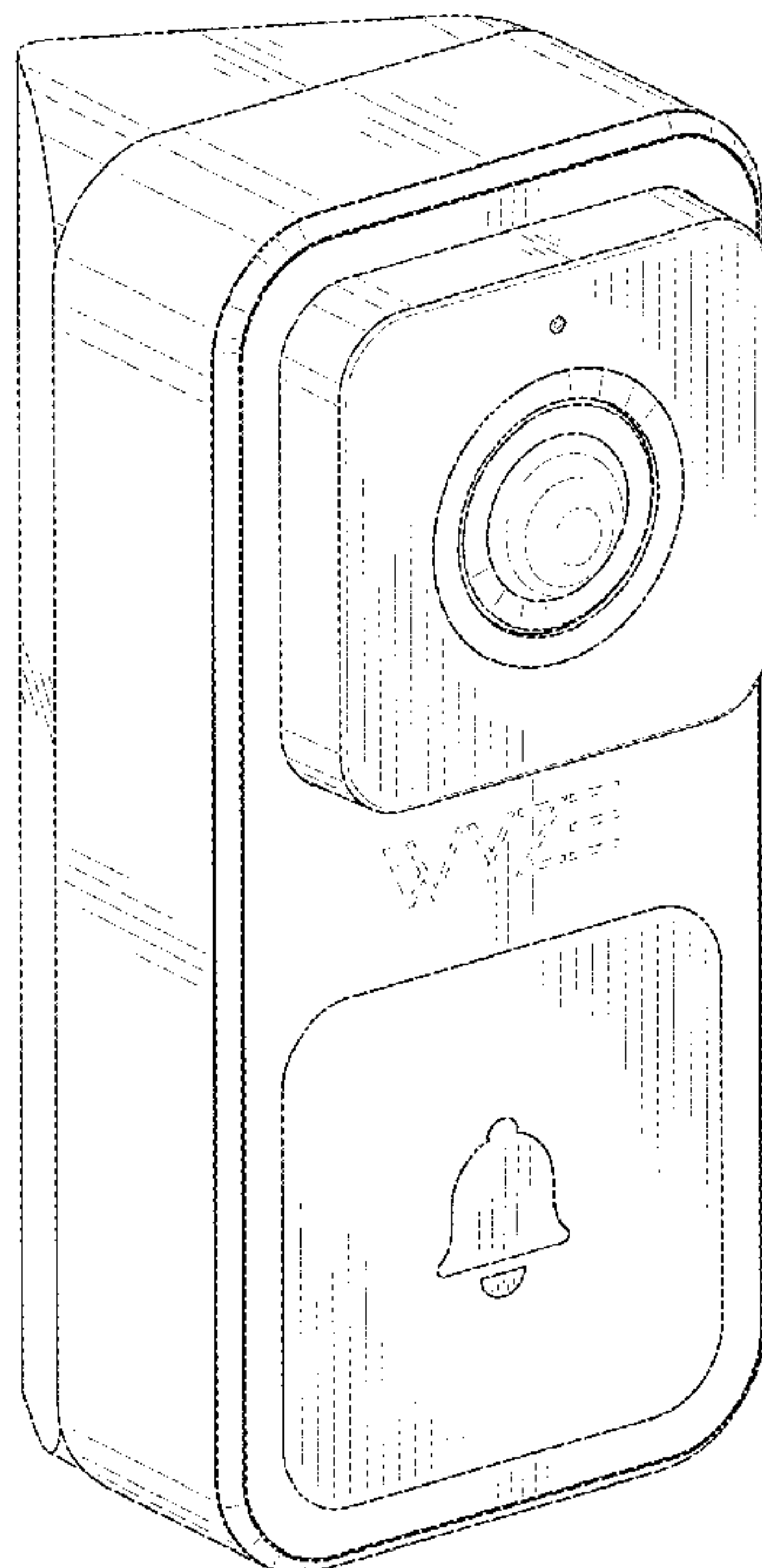
(57) **CLAIM**

The ornamental design for a smart doorbell, as shown and  
described.

**DESCRIPTION**

FIG. 1 is a front elevational view of a smart doorbell  
showing our new design;  
FIG. 2 is a rear elevational view thereof;  
FIG. 3 is a left side elevational view thereof;  
FIG. 4 is a right side elevational view thereof;  
FIG. 5 is a top plan view thereof;  
FIG. 6 is a bottom plan view thereof;  
FIG. 7 is a front perspective view thereof; and,  
FIG. 8 is a rear perspective view thereof.  
The broken lines depict portions of the smart doorbell in  
which the design is embodied that form no part of the  
claimed design.

**1 Claim, 8 Drawing Sheets**



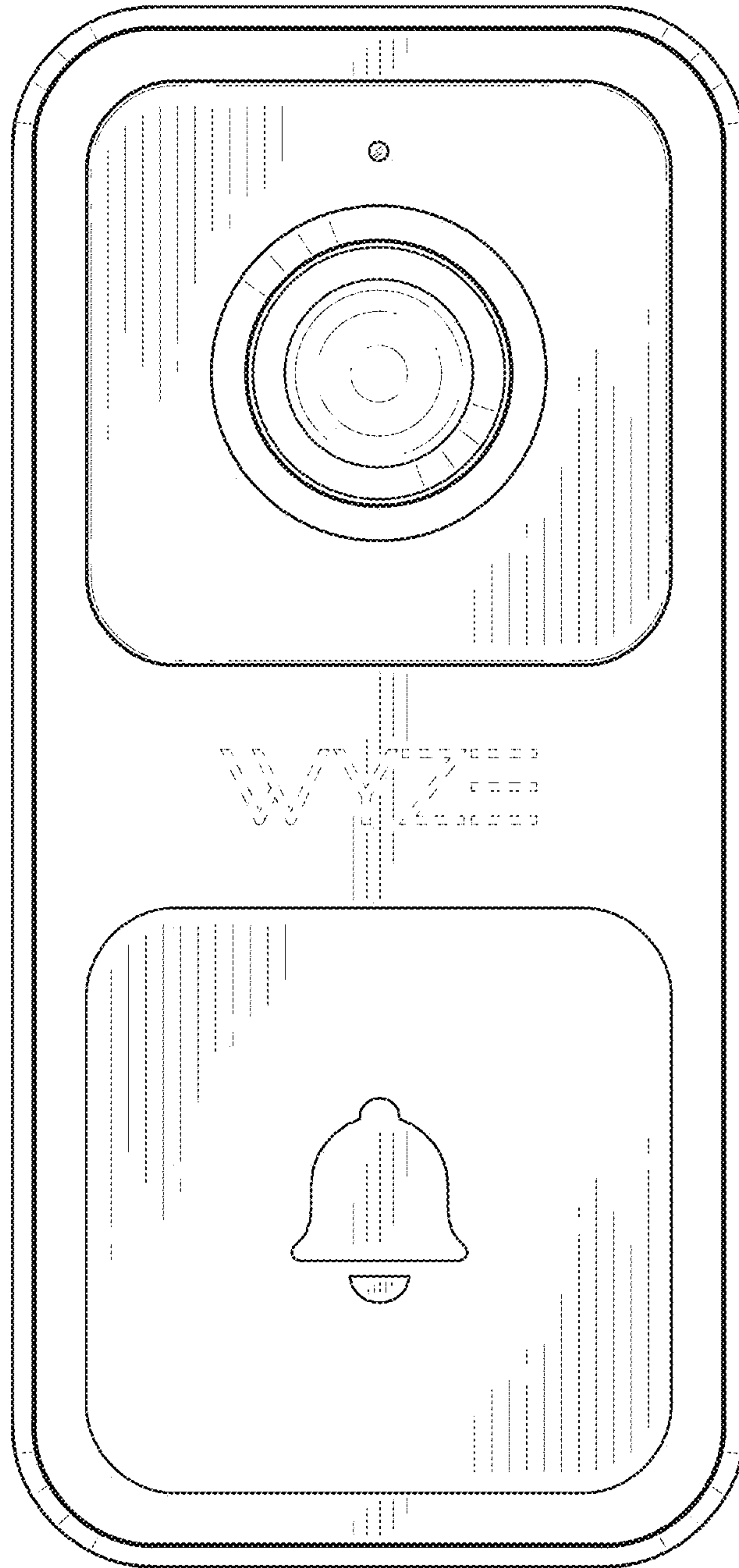


FIG. 1

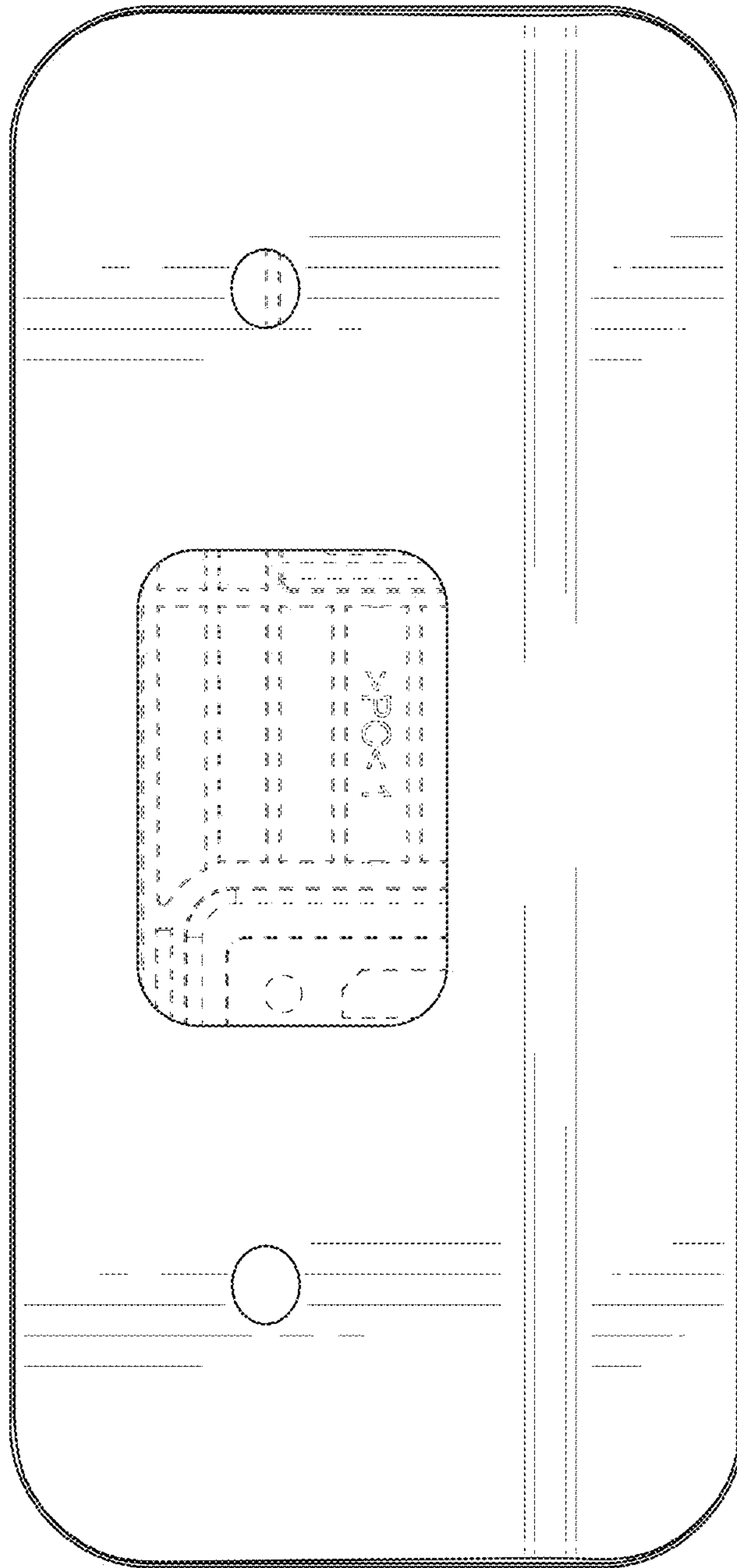


FIG. 2

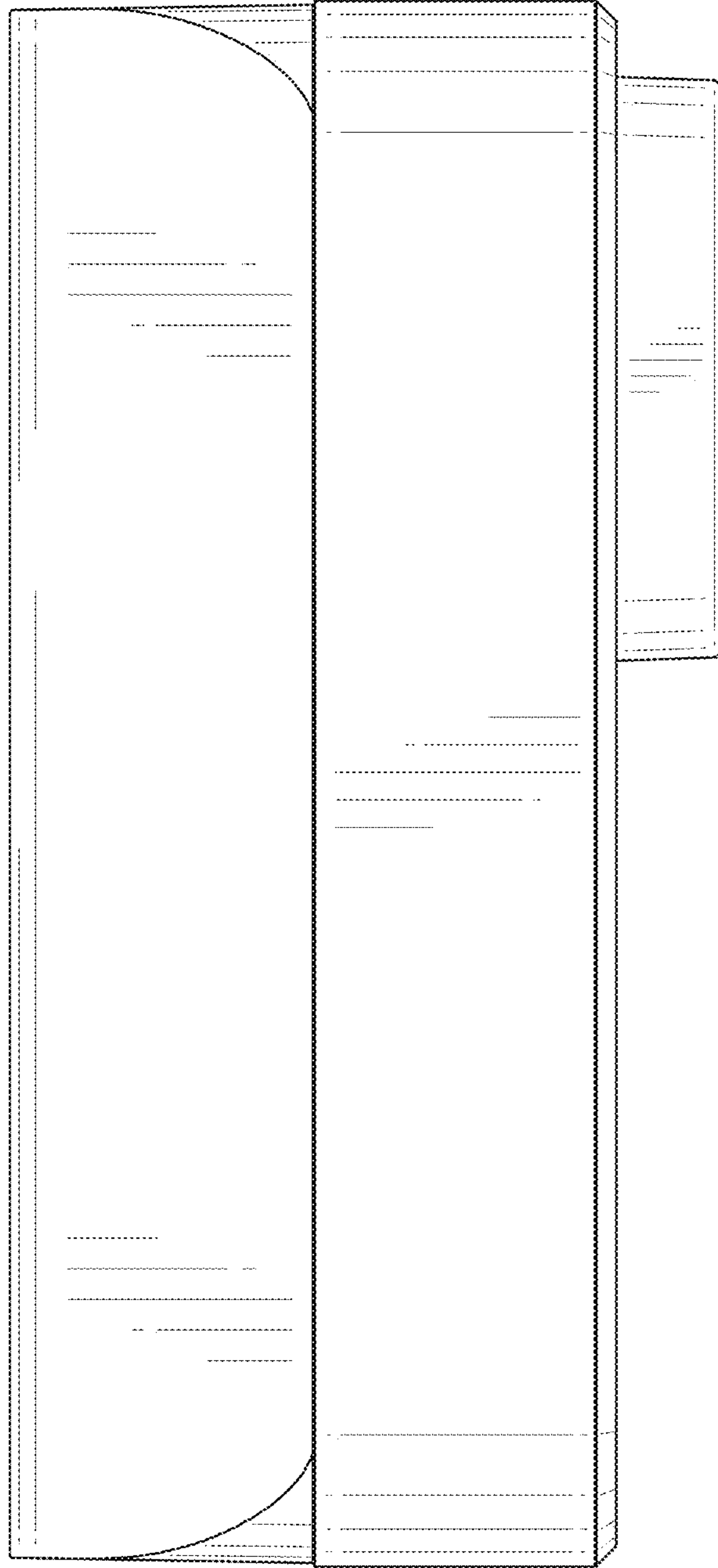


FIG. 3

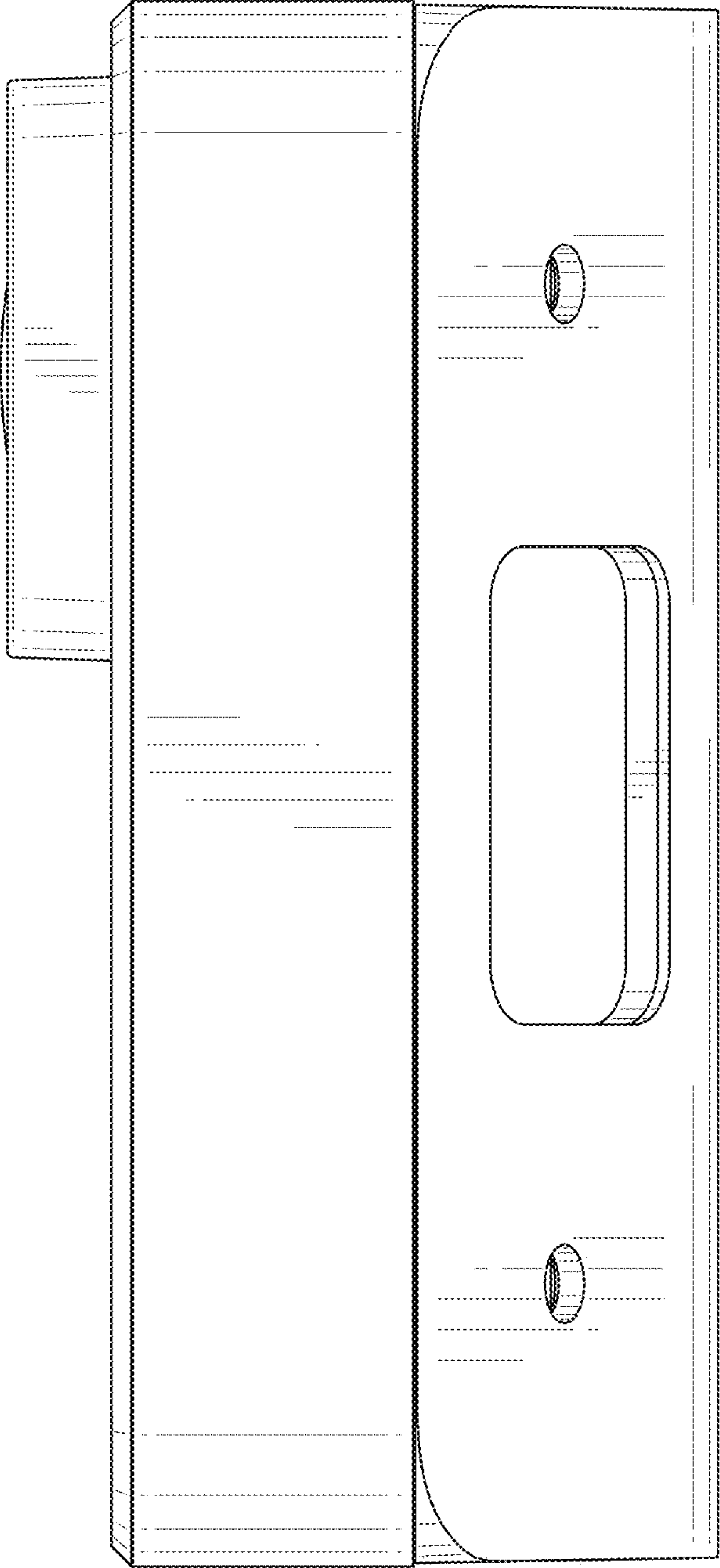


FIG. 4

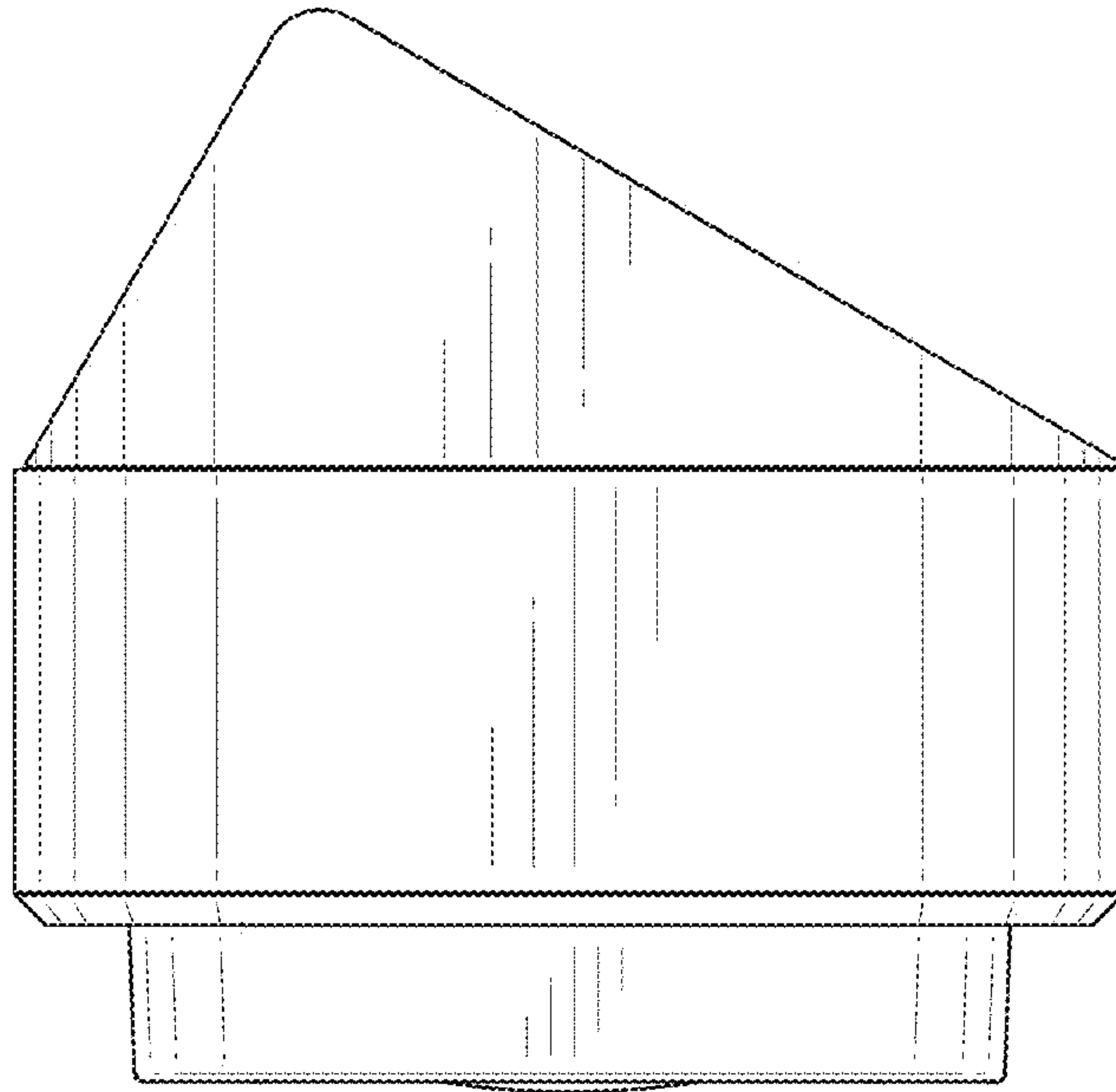


FIG. 5



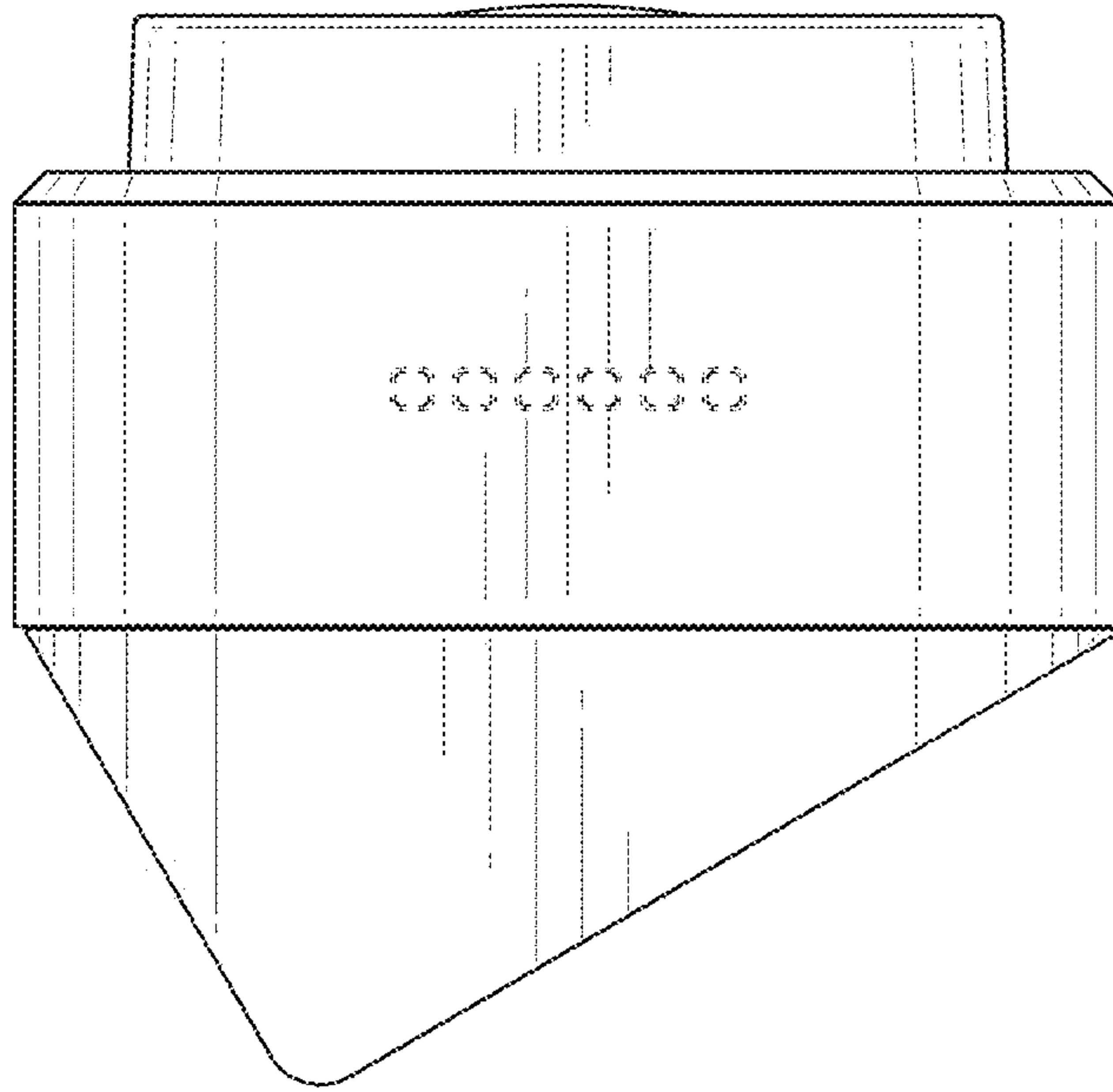


FIG. 6

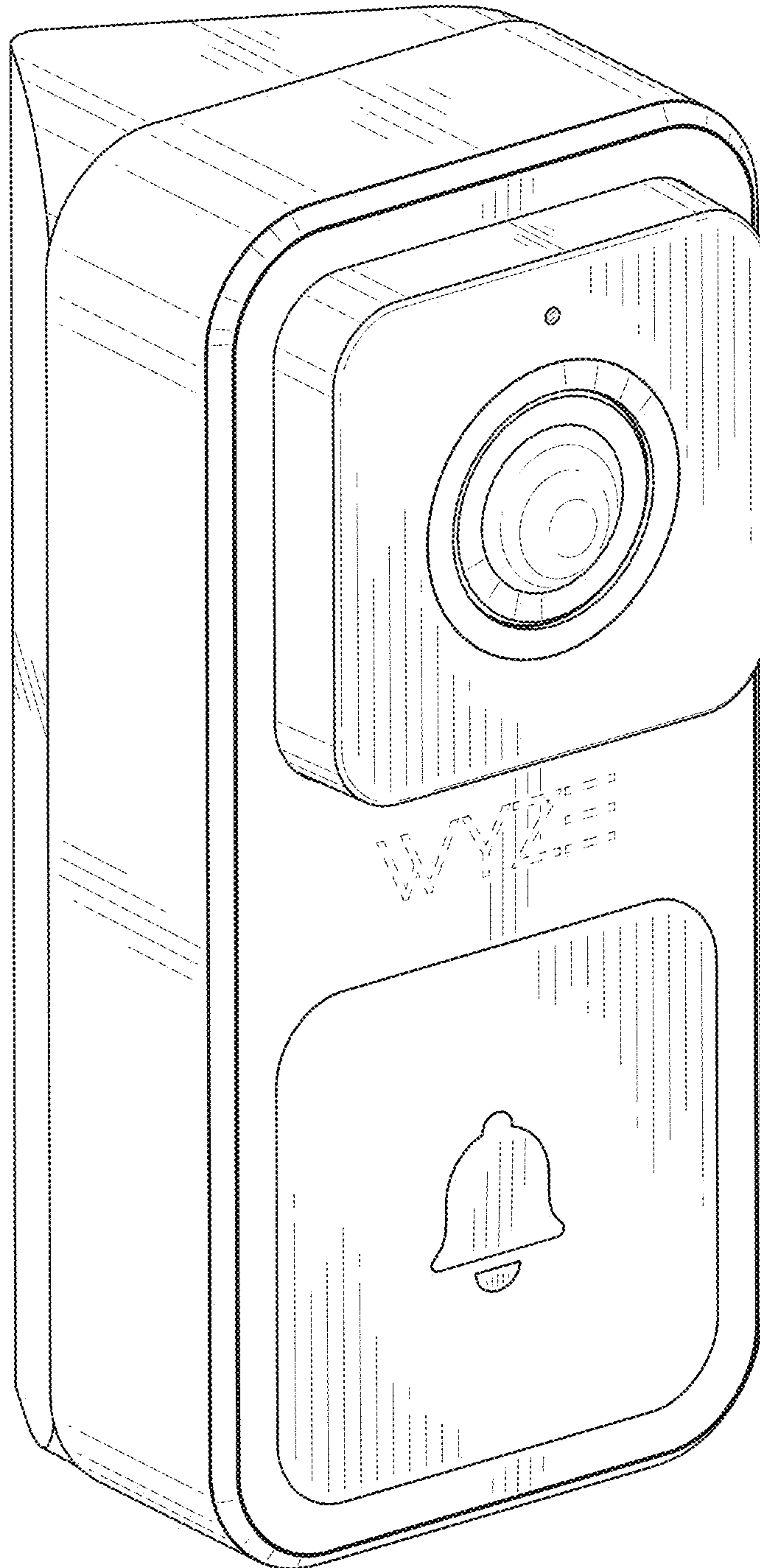


FIG. 7



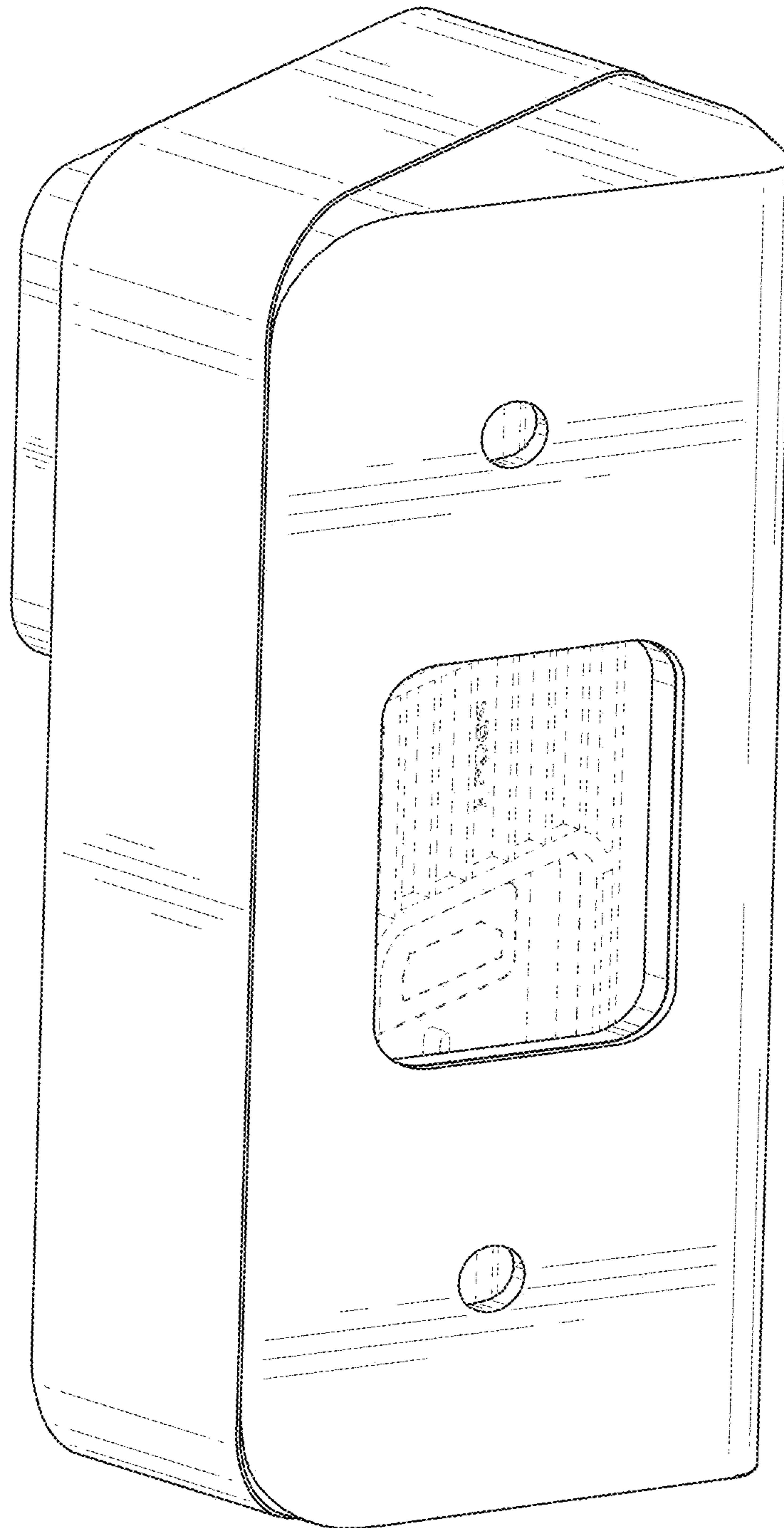


FIG. 8