



US00D957973S

(12) **United States Design Patent** (10) **Patent No.:** **US D957,973 S**  
**Fu** (45) **Date of Patent:** **\*\* Jul. 19, 2022**

(54) **DIGITAL CLAMP METER**

FOREIGN PATENT DOCUMENTS

(71) Applicant: **Huizhou FuYi Electronic Technology Co., Ltd.**, Huizhou (CN)

CN 304534965 \* 9/2017  
CN 306348728 \* 10/2020

(Continued)

(72) Inventor: **Chenqin Fu**, Huizhou (CN)

(\*\*) Term: **15 Years**

OTHER PUBLICATIONS

(21) Appl. No.: **29/768,471**

Leolov, Digital Clamp Meter, Date first available Dec. 21, 2021, [online]retrieved Mar. 7, 2022,available from [https://www.amazon.com/Leolov-Auto-Ranging-Multimeter-Continuity-Resistance/dp/B09NZRJZ5F/ref=sr\\_1\\_18\\_sspa?crd=21ED6TGY2I3U5&keywords=Mastfuyi+Digital+Clamp+Meter+Large+Screen+Multimeter+999](https://www.amazon.com/Leolov-Auto-Ranging-Multimeter-Continuity-Resistance/dp/B09NZRJZ5F/ref=sr_1_18_sspa?crd=21ED6TGY2I3U5&keywords=Mastfuyi+Digital+Clamp+Meter+Large+Screen+Multimeter+999) (Year: 2021).\*

(22) Filed: **Jan. 29, 2021**

(51) **LOC (13) Cl.** ..... **10-04**

(52) **U.S. Cl.**  
USPC ..... **D10/79; D10/77**

(58) **Field of Classification Search**

USPC ..... D10/96-103, 65-80, 61  
CPC ..... G01R 31/3646; G01R 31/385; G01R 31/364; G01R 1/04; G01R 5/00; G01R 7/00; G01R 17/00; G01R 19/00; G01R 21/00; G01R 22/00; G01R 23/00; G01R 25/00; G01R 27/00; H01M 10/4285; H01R 11/11; H01R 12/57; H01R 2201/26; H01R 13/6275; H01R 13/639; Y02E 60/10; Y02E 10/72; C02F 1/008; C02F 2201/326; C02F 2209/001; C02F 2209/006; C02F 2209/008; H05K 5/0247; G07C 5/02; G07C 5/008; G07C 5/0808; G07C 2205/02; G07C 5/0825; B60R 1/00; B60R 3/00; B60R 13/00

See application file for complete search history.

(Continued)

*Primary Examiner* — Keli L Hill

*Assistant Examiner* — Sara S Sahneh

(74) *Attorney, Agent, or Firm* — Novoclaims Patent Services LLC; Mei Lin Wong

(57) **CLAIM**

The ornamental design for a digital clamp meter, as shown and described.

**DESCRIPTION**

(56) **References Cited**

U.S. PATENT DOCUMENTS

D450,002 S \* 11/2001 Chang ..... D10/79  
D628,918 S \* 12/2010 Chang ..... D10/79  
D636,689 S \* 4/2011 Laurino ..... D10/79  
D683,250 S \* 5/2013 Marzynski ..... D10/79  
D712,763 S \* 9/2014 Zhenmei ..... D10/80  
D713,274 S \* 9/2014 Zhenmei ..... D10/80  
D715,169 S \* 10/2014 Chen ..... D10/79  
D766,118 S \* 9/2016 Wong ..... D10/79  
D938,843 S \* 12/2021 Woo ..... D10/79  
2007/0200573 A1 \* 8/2007 Chen ..... G01R 15/12  
324/116

(Continued)

FIG. 1 is a front perspective view of a digital clamp meter, showing my new design.

FIG. 2 is a rear perspective view thereof;

FIG. 3 is a front view thereof;

FIG. 4 is a rear view thereof;

FIG. 5 is a left side view thereof;

FIG. 6 is a right side view thereof;

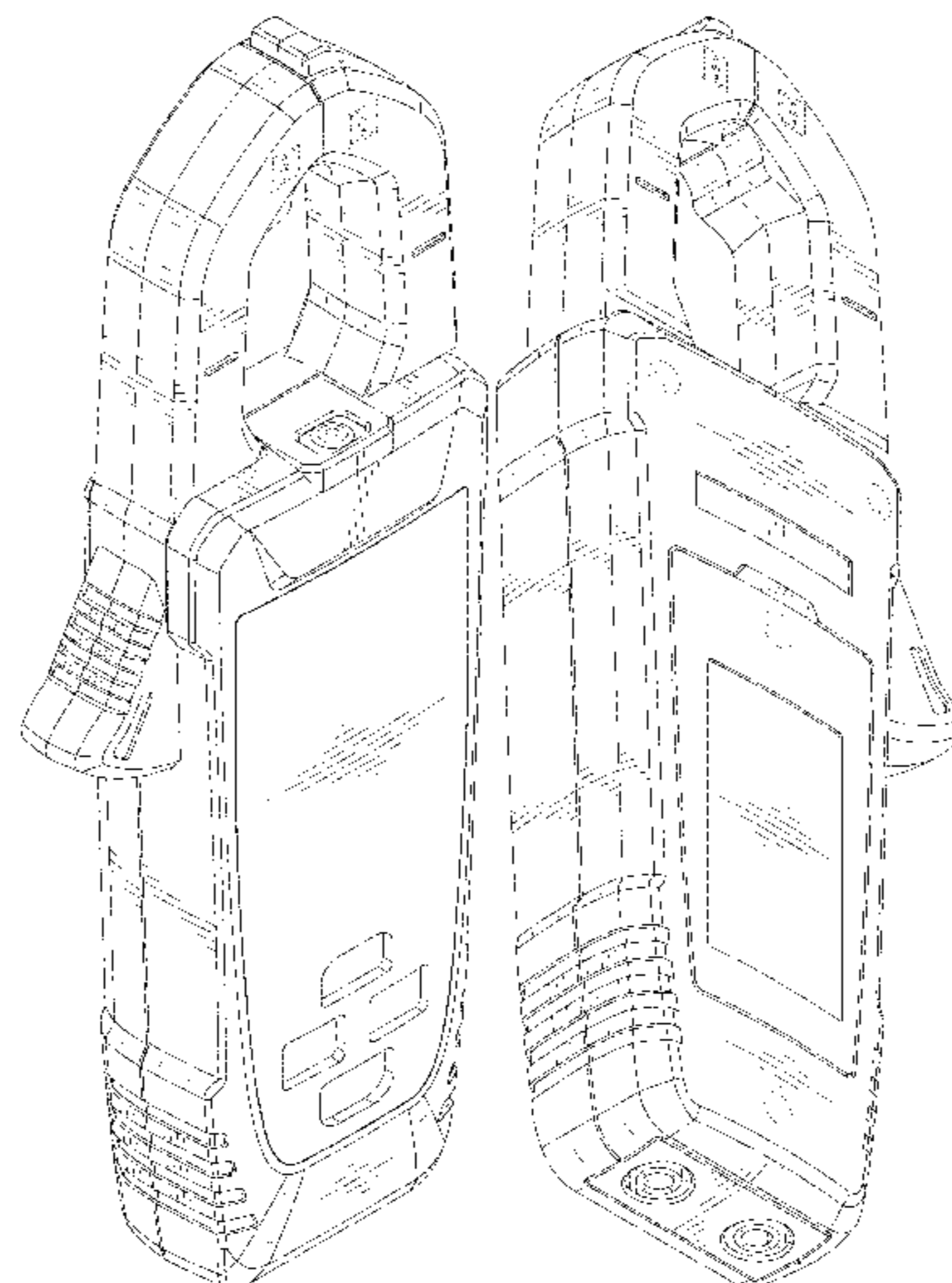
FIG. 7 is a top view thereof;

FIG. 8 is a bottom view thereof; and,

FIG. 9 is a perspective view thereof, shown in open position.

The broken lines in the drawings depict portions of the digital clamp meter that form no part of the claimed design.

**1 Claim, 9 Drawing Sheets**



(56)

References Cited

U.S. PATENT DOCUMENTS

2011/0012589 A1\* 1/2011 Greenberg ..... G01R 15/186  
324/127  
2018/0224482 A1\* 8/2018 Chien ..... G01R 1/22  
2021/0041483 A1\* 2/2021 Worones ..... G01R 1/22

FOREIGN PATENT DOCUMENTS

CN 306962619 \* 7/2021  
CN 306784888 \* 8/2021  
EM 004565851-0001 \* 12/2017  
GB 9007489711-0001 \* 1/2020  
JP D1672947 \* 6/2020

OTHER PUBLICATIONS

HASAGEI Store,AC Current Digital Clamp Meter, Date first available Jul. 20, 2020, [online]retrieved Mar. 7, 2022,available from

[https://www.amazon.com/dp/B08D9BBR5Q/ref=sspa\\_dk\\_detail\\_10?psc=1&pd\\_rd\\_w=bURE7&pf\\_rd\\_p=b9951ce4-3bd8-4b04-9123-0fda35d6155e&pd\\_rd\\_wg=fQwLG&pf\\_rd\\_r=4K2SR1TB8CQRBZDJ3QAJ&pd\\_rd\\_r=2b](https://www.amazon.com/dp/B08D9BBR5Q/ref=sspa_dk_detail_10?psc=1&pd_rd_w=bURE7&pf_rd_p=b9951ce4-3bd8-4b04-9123-0fda35d6155e&pd_rd_wg=fQwLG&pf_rd_r=4K2SR1TB8CQRBZDJ3QAJ&pd_rd_r=2b) (Year: 2020).\*  
Intendvision Store,AC/DC Digital Clamp Meter, Date first available Aug. 16, 2021, [online]retrieved Mar. 7, 2022,available from [https://www.amazon.ca/dp/B096TRZXTZ/ref=sspa\\_dk\\_detail\\_1?psc=1&pd\\_rd\\_i=B096TRZXTZ&pd\\_rd\\_w=mhlep&pf\\_rd\\_p=8e308614-8b7b-45e9-9526-75d8e163854c&pd\\_rd\\_wg=y1bQv&pf\\_rd\\_r=Q2E830X2X745Q8N](https://www.amazon.ca/dp/B096TRZXTZ/ref=sspa_dk_detail_1?psc=1&pd_rd_i=B096TRZXTZ&pd_rd_w=mhlep&pf_rd_p=8e308614-8b7b-45e9-9526-75d8e163854c&pd_rd_wg=y1bQv&pf_rd_r=Q2E830X2X745Q8N) (Year: 2021).\*  
AOPUTTRIVER,Digital Clamp Meter Multimeter,Date first available Jul. 9, 2019, [online]retrieved Mar. 7, 2022,available from [https://www.amazon.ca/dp/B07V46HHKL/ref=sspa\\_dk\\_detail\\_6?pd\\_rd\\_w=IP1X2&pf\\_rd\\_p=8e308614-8b7b-45e9-9526-75d8e163854c&pd\\_rd\\_wg=x76fR&pf\\_rd\\_r=FRVNB6TC2Z2TA8WECXSF&pd\\_rd\\_r=7af11957-9410-4](https://www.amazon.ca/dp/B07V46HHKL/ref=sspa_dk_detail_6?pd_rd_w=IP1X2&pf_rd_p=8e308614-8b7b-45e9-9526-75d8e163854c&pd_rd_wg=x76fR&pf_rd_r=FRVNB6TC2Z2TA8WECXSF&pd_rd_r=7af11957-9410-4) (Year: 2019).\*

\* cited by examiner

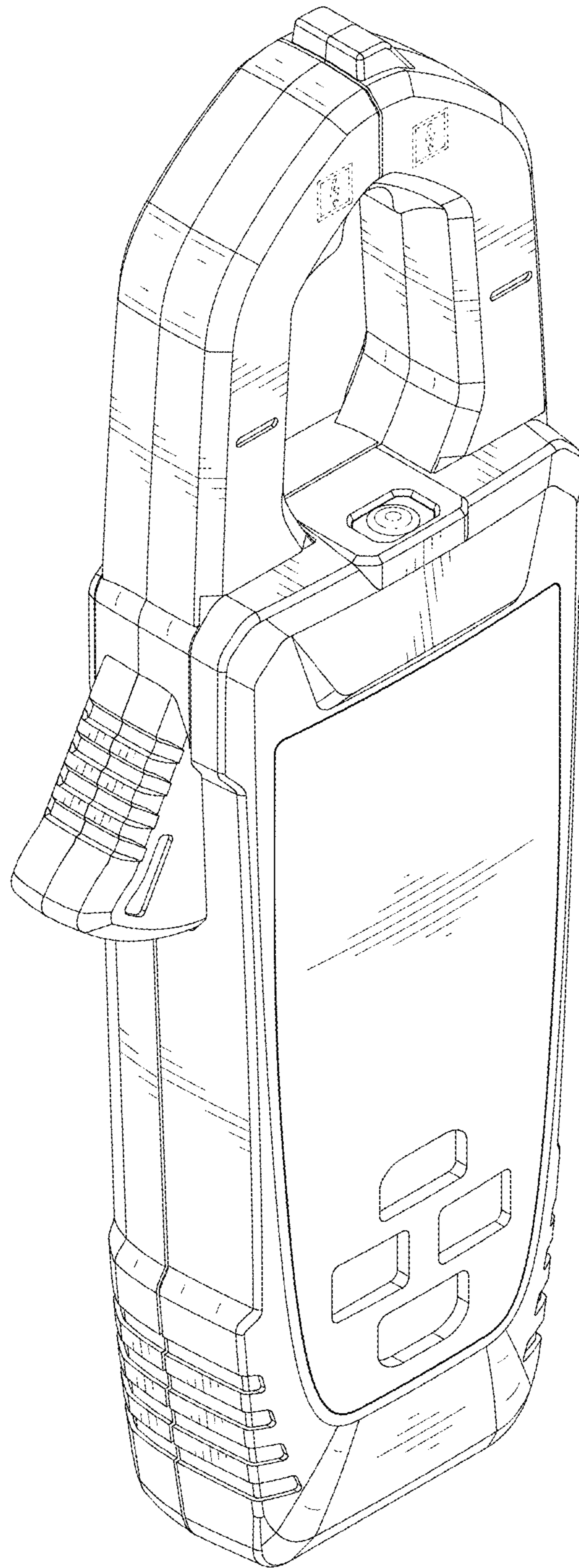


FIG.1



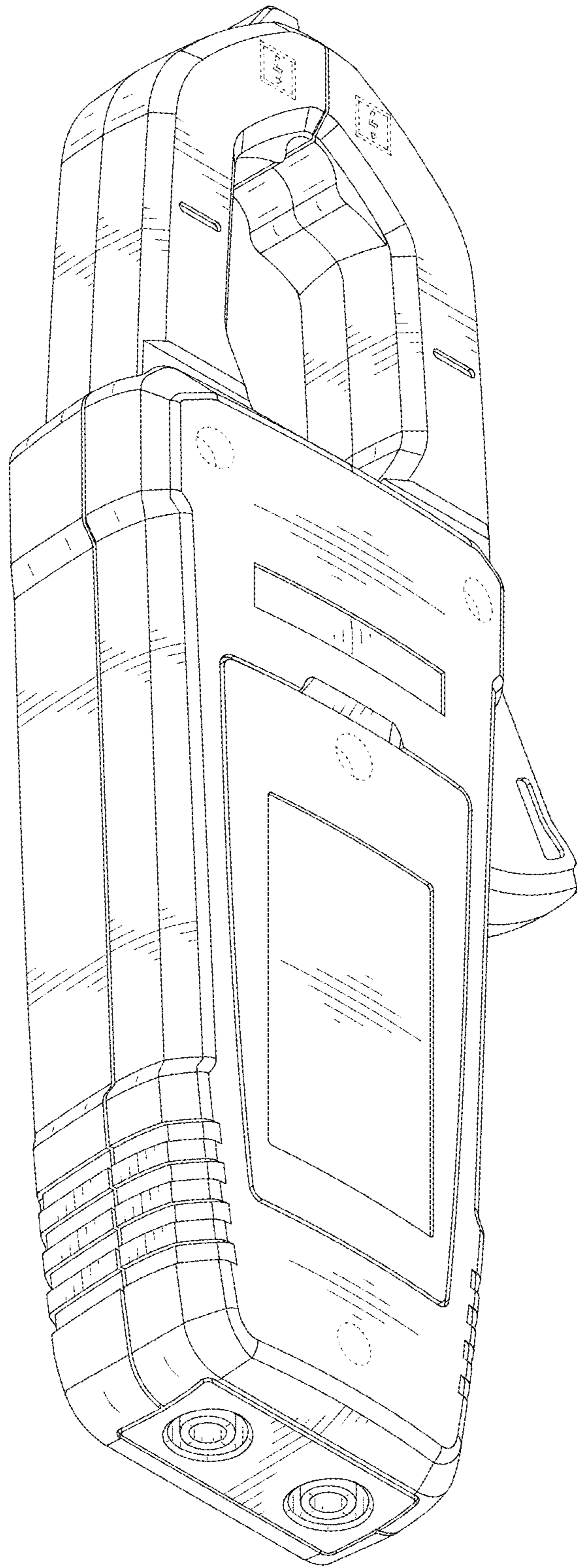


FIG.2

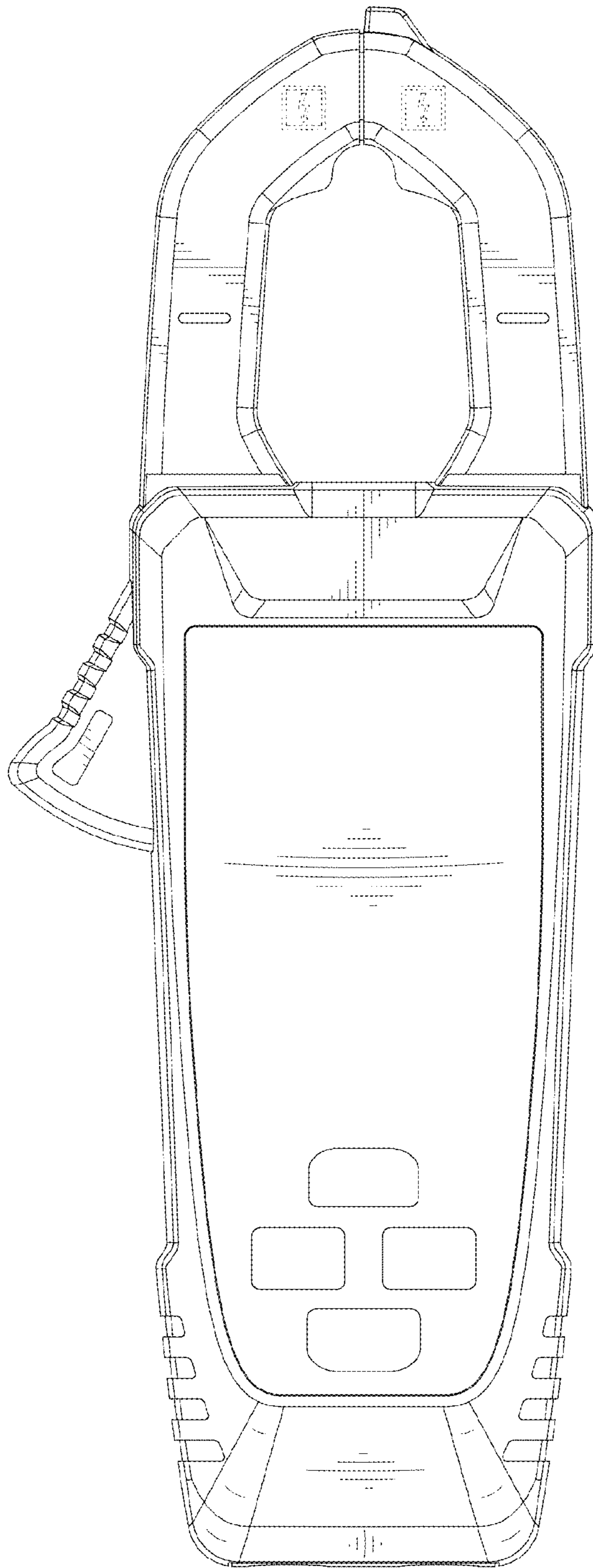


FIG.3

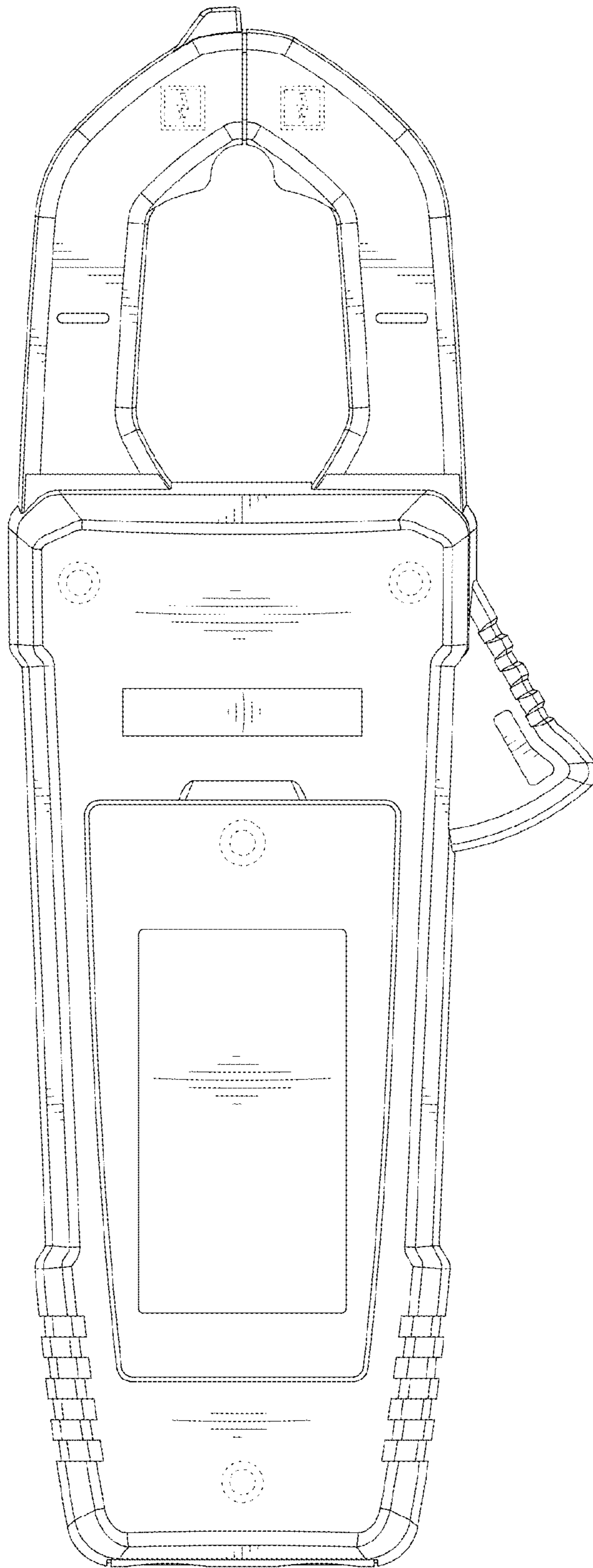


FIG.4

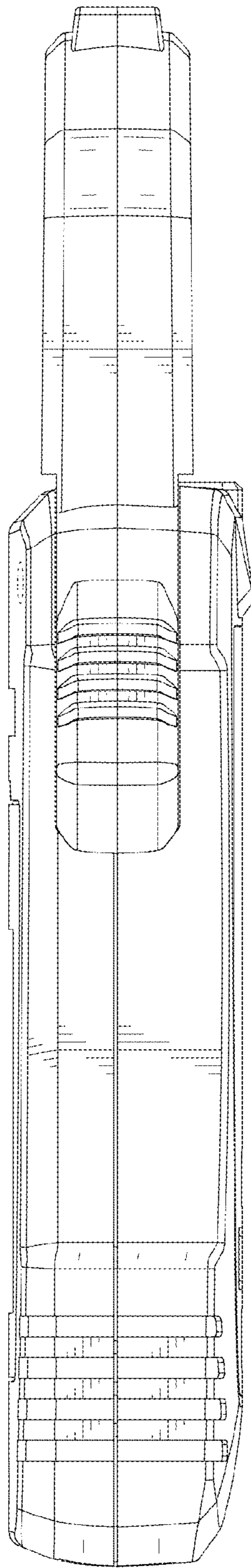


FIG.5

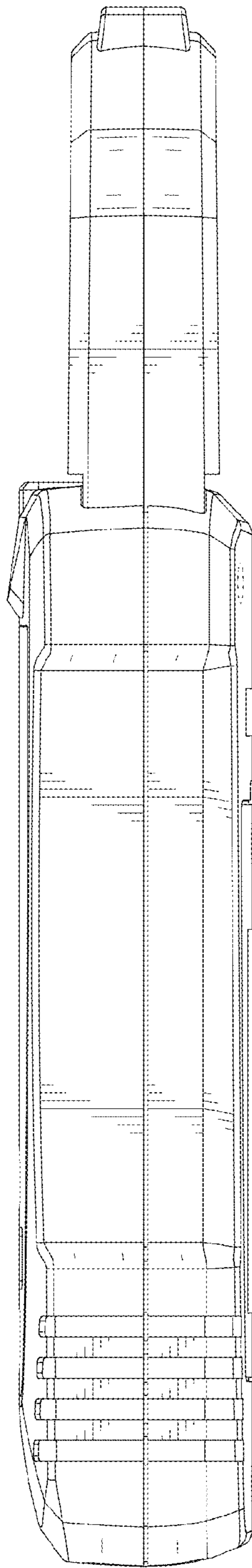


FIG.6



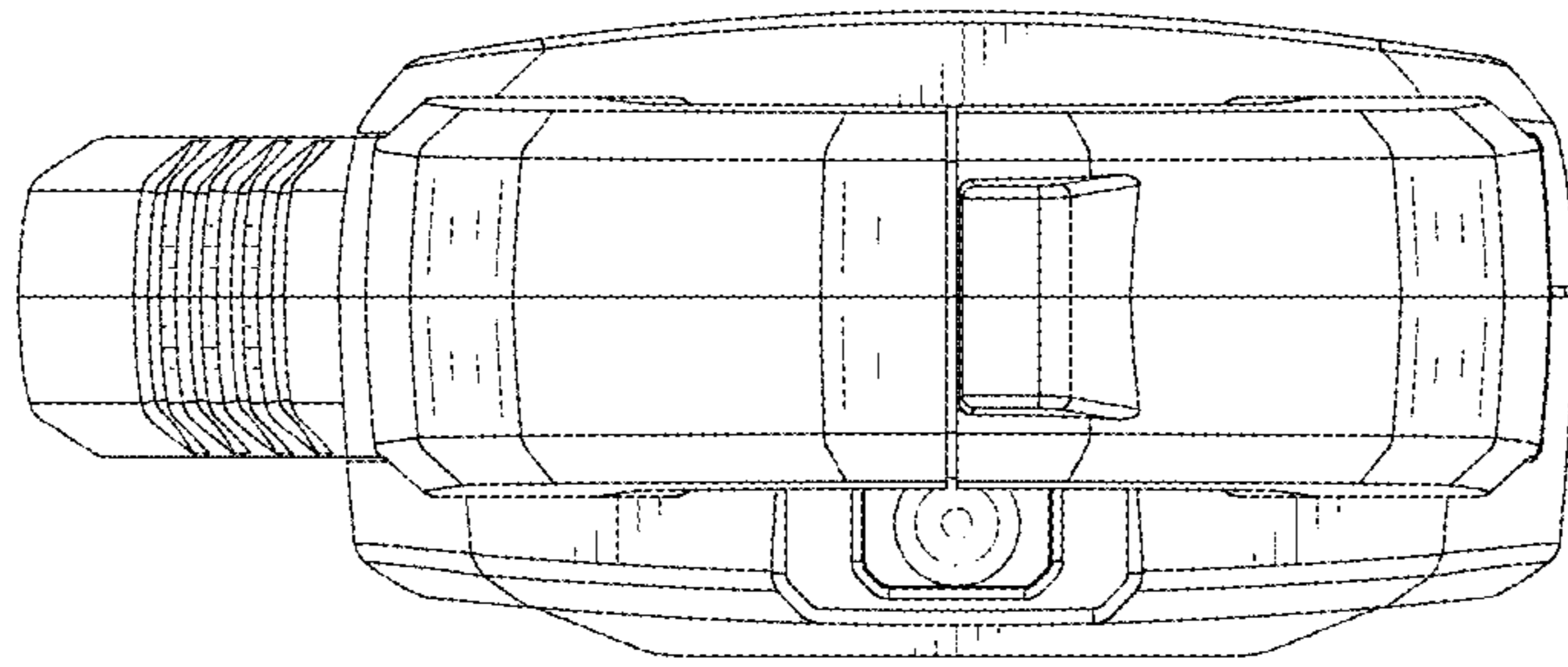


FIG.7

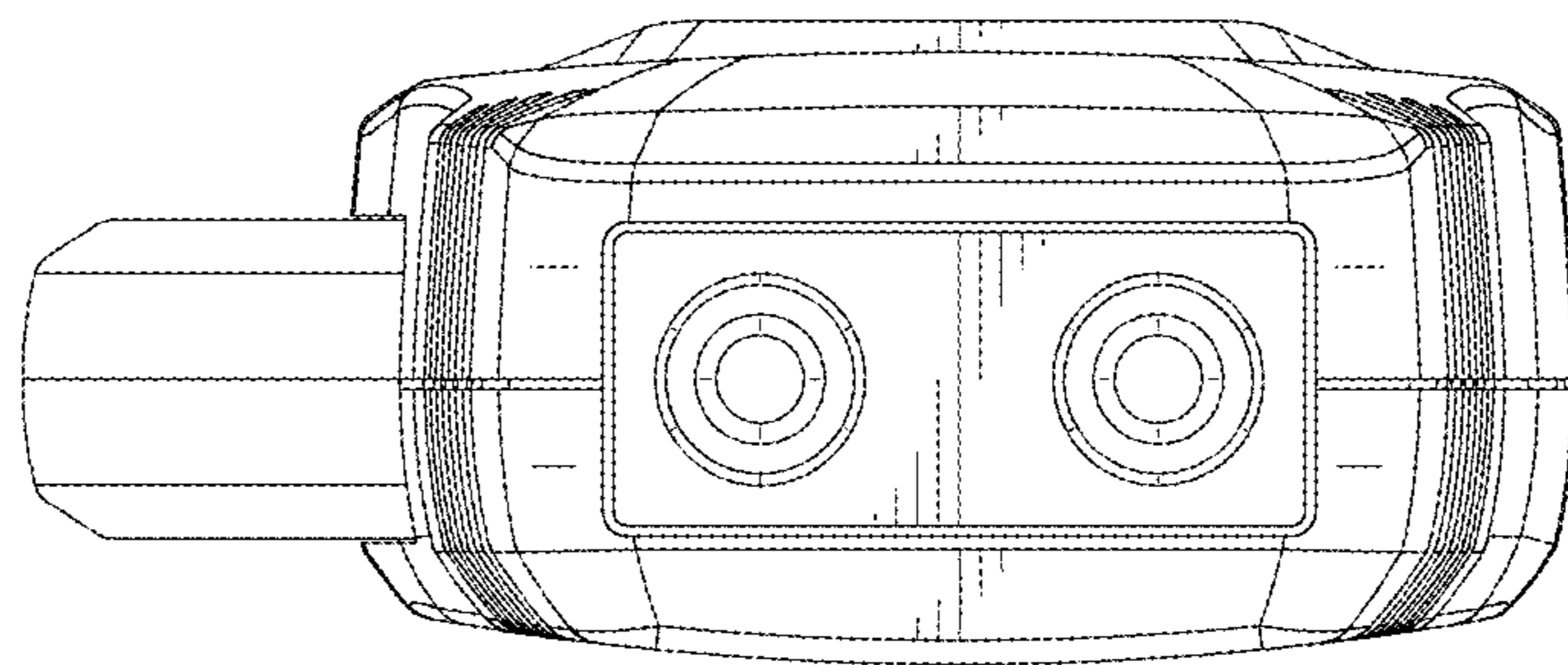


FIG.8

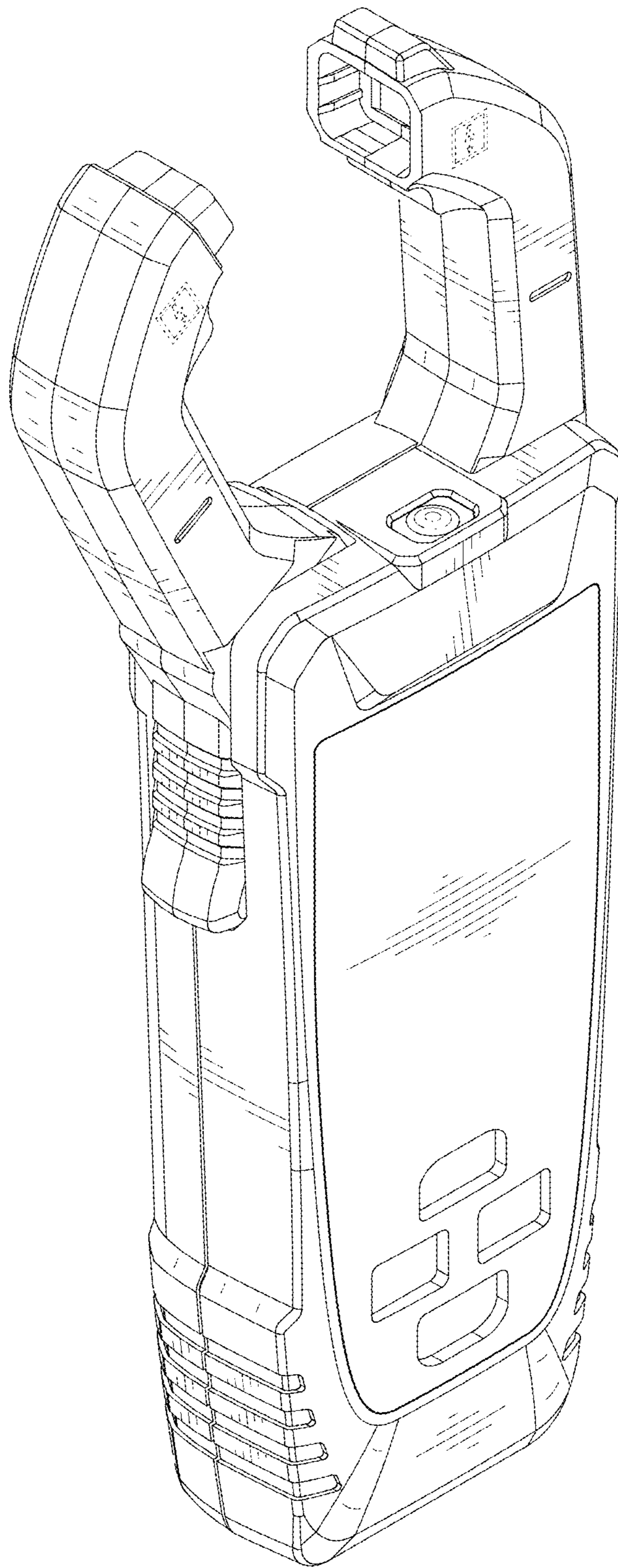


FIG.9