



US00D957972S

(12) **United States Design Patent** (10) **Patent No.:** **US D957,972 S**
Fu (45) **Date of Patent:** **** Jul. 19, 2022**

(54) **SOCKET TESTER**
(71) Applicant: **Huizhou FuYi Electronic Technology Co., Ltd., Huizhou (CN)**
(72) Inventor: **Chenqin Fu, Huizhou (CN)**
(**) Term: **15 Years**

D838,244 S * 1/2019 DeCosta D13/137.2
D848,498 S * 5/2019 Baer D15/148
D879,994 S * 3/2020 Leimkuehler D24/216
D881,130 S * 4/2020 Crowder D13/138.2
D888,666 S * 6/2020 Zhang D13/110
D898,696 S * 10/2020 Du D14/155
D914,603 S * 3/2021 Wang D13/118
D929,957 S * 9/2021 Ba D14/155

(21) Appl. No.: **29/736,196**
(22) Filed: **May 28, 2020**
(51) **LOC (13) Cl.** **10-04**
(52) **U.S. Cl.**
USPC **D10/78**
(58) **Field of Classification Search**
USPC D10/75, 69, 56, 65, 81, 78, 60; D13/118,
D13/110, 123; D14/307, 130; D16/130;
307/11
CPC G01S 7/4817; G01S 7/4808; G01S 17/08;
G01S 17/42; G01C 3/08; G01C 15/008;
G01C 1/00; G01C 1/14; H05K 5/00;
H05K 5/02; H05K 5/0247; H05K 7/00;
H05K 7/20; H05K 7/20136; H05K
7/20154; H05K 7/209; H02M 7/00;
H02M 7/003; H02M 2001/009; H02J
7/0042; Y10T 307/367
See application file for complete search history.

OTHER PUBLICATIONS

Vancouver Computer Computer Solutions, Digital Smart Socket Tester Voltage Test Socket Detector, viewed on Oct. 4, 2021, (online) URL: <https://vancouver-computer.net/fy1881-30v-250v-digital-smart-socket-tester-voltage-test-socket-detector-enull-line-phase> (Year: 2021).*

* cited by examiner

Primary Examiner — George D. Kirschbaum
Assistant Examiner — Antoinette Martine Suiter
(74) *Attorney, Agent, or Firm* — Novoclaims Patent Services LLC; Mei Lin Wong

(57) **CLAIM**

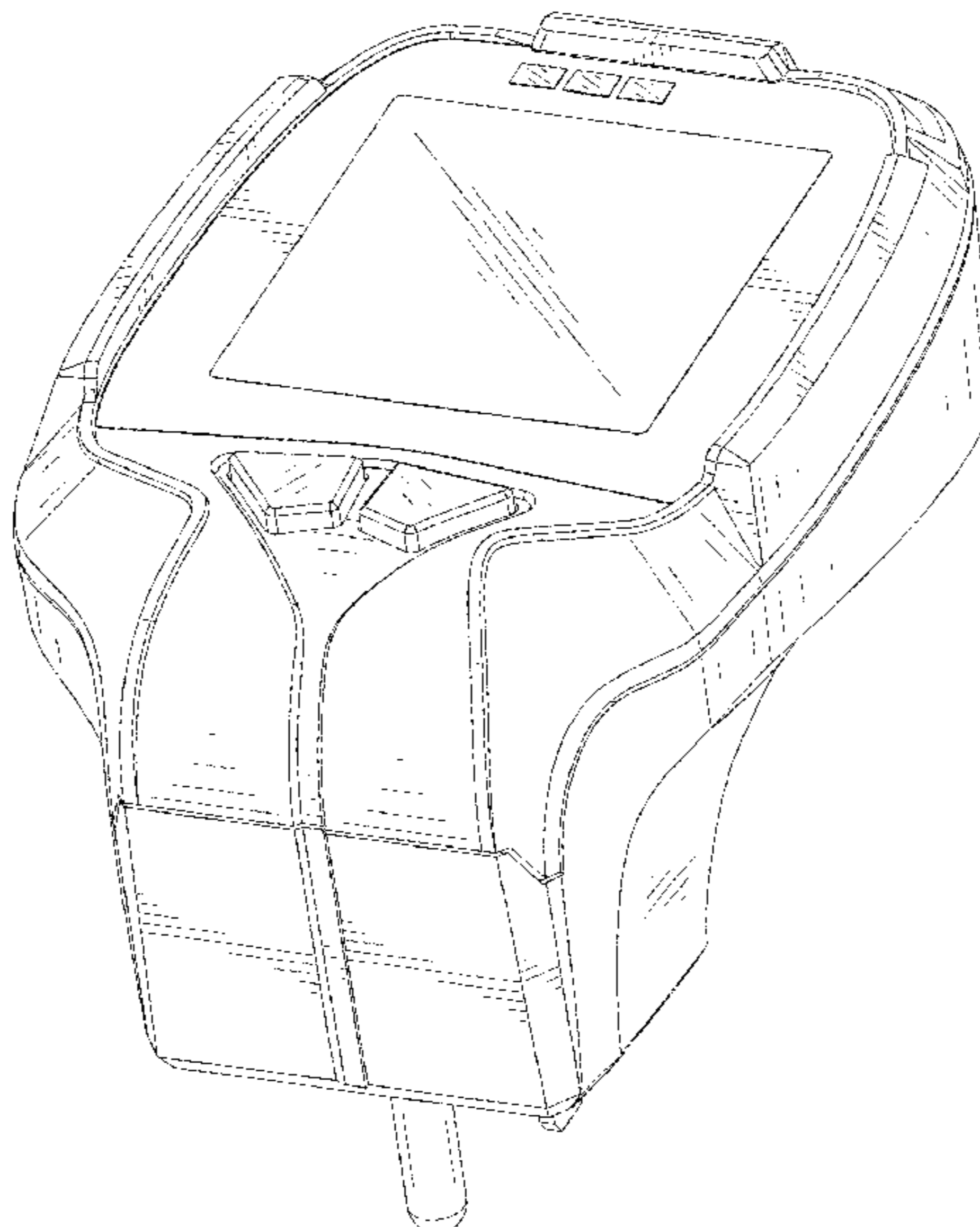
The ornamental design for a socket tester, as shown and described.

DESCRIPTION

FIG. 1 is a front perspective view of a socket tester, showing my new design.
FIG. 2 is a rear perspective view thereof;
FIG. 3 is a front view thereof;
FIG. 4 is a rear view thereof;
FIG. 5 is a left side view thereof;
FIG. 6 is a right side view thereof;
FIG. 7 is a top view thereof; and,
FIG. 8 is a bottom view thereof.
The broken lines in the drawings depict portions of the socket tester that form no part of the claimed design.

(56) **References Cited**
U.S. PATENT DOCUMENTS
D666,968 S * 9/2012 Huang D13/110
D677,223 S * 3/2013 Cho D13/110
D708,576 S * 7/2014 Aromin D13/110
D719,549 S * 12/2014 Henry D14/223
D719,955 S * 12/2014 Hsu D14/428
D733,055 S * 6/2015 Kao D13/138.1
D746,228 S * 12/2015 Medley D13/110
D796,356 S * 9/2017 Bayley D10/70
D810,018 S * 2/2018 Ceravalo D13/110
D829,336 S * 9/2018 Wohlstadter D24/216

1 Claim, 8 Drawing Sheets



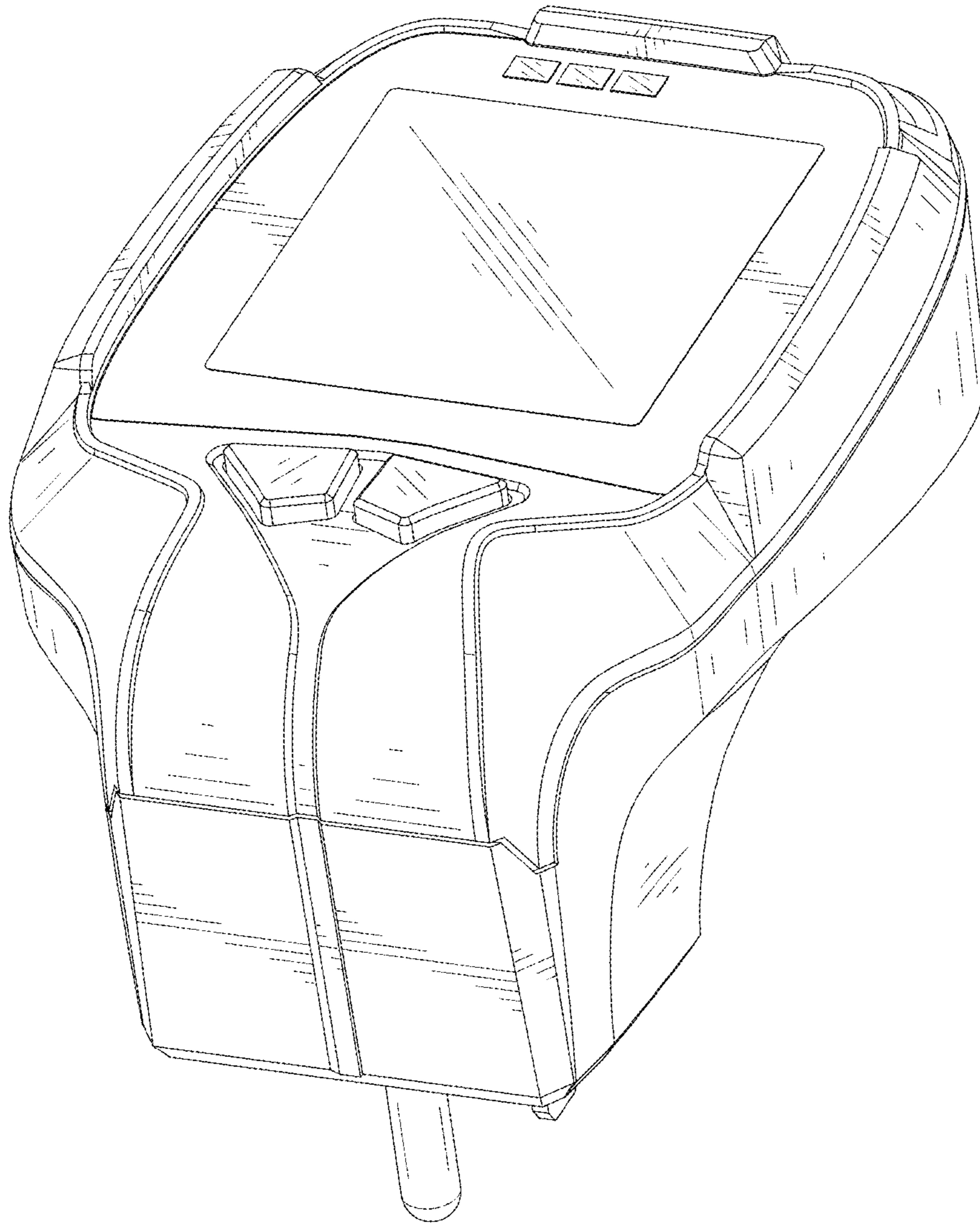


FIG.1

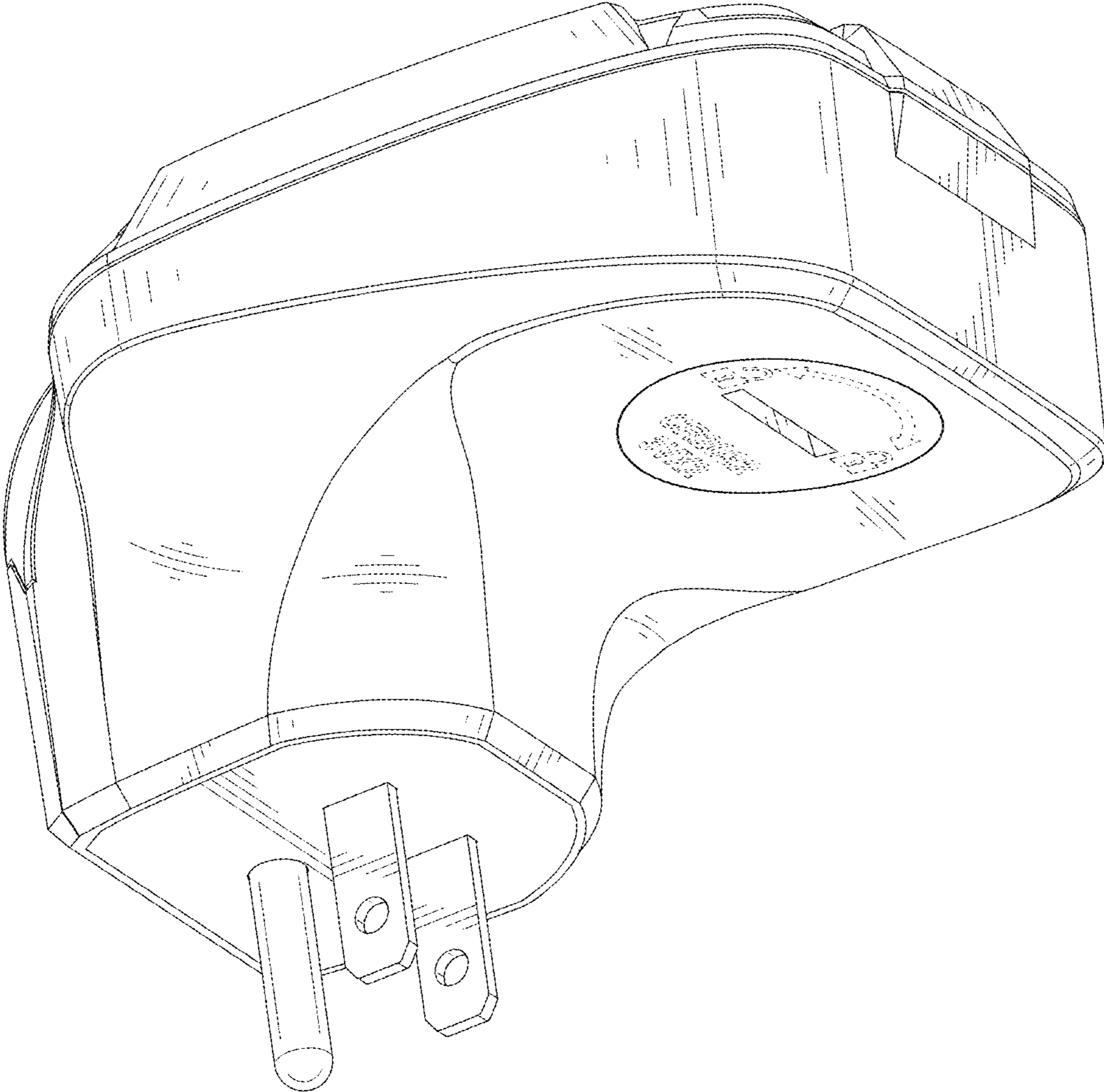


FIG.2

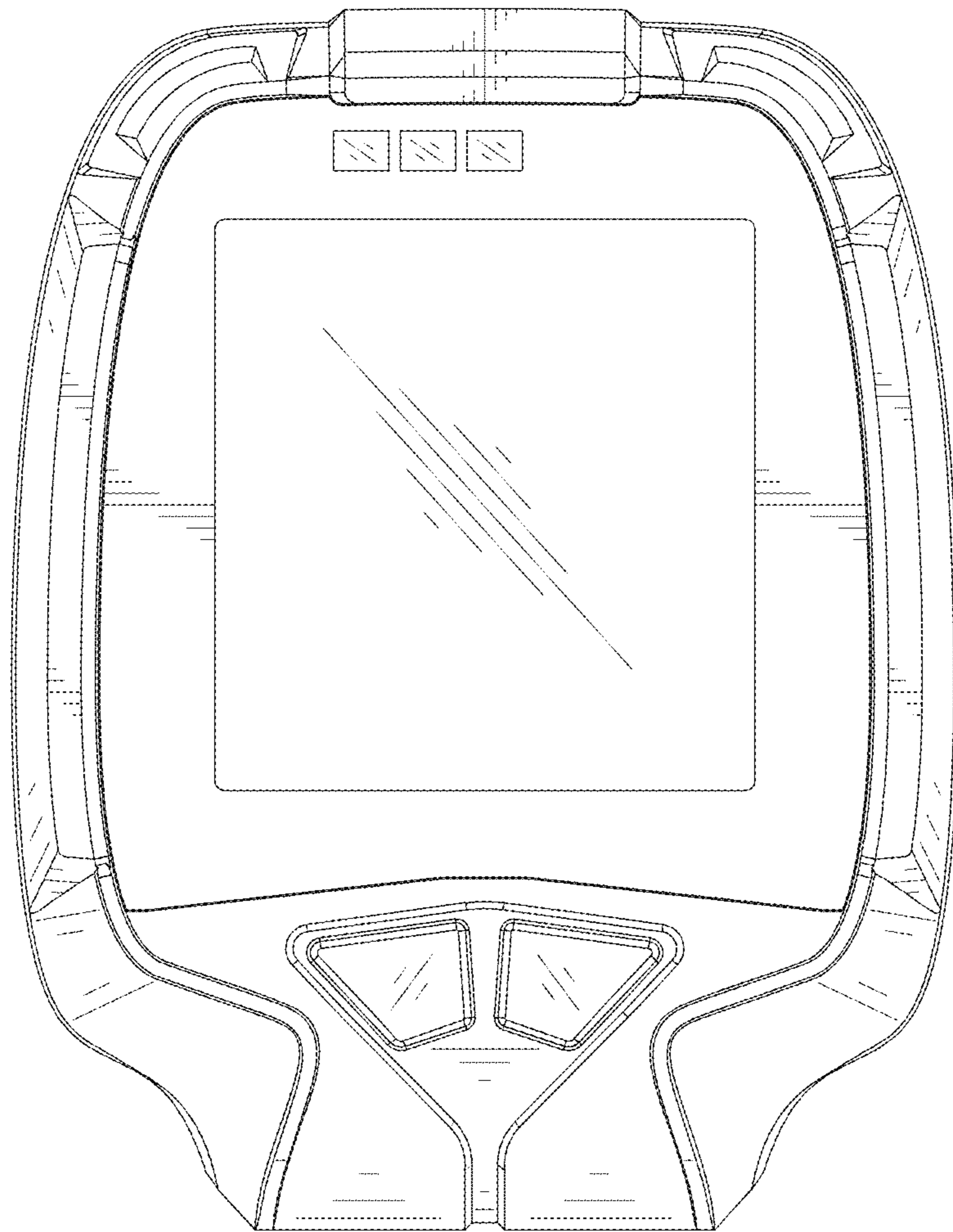


FIG.3

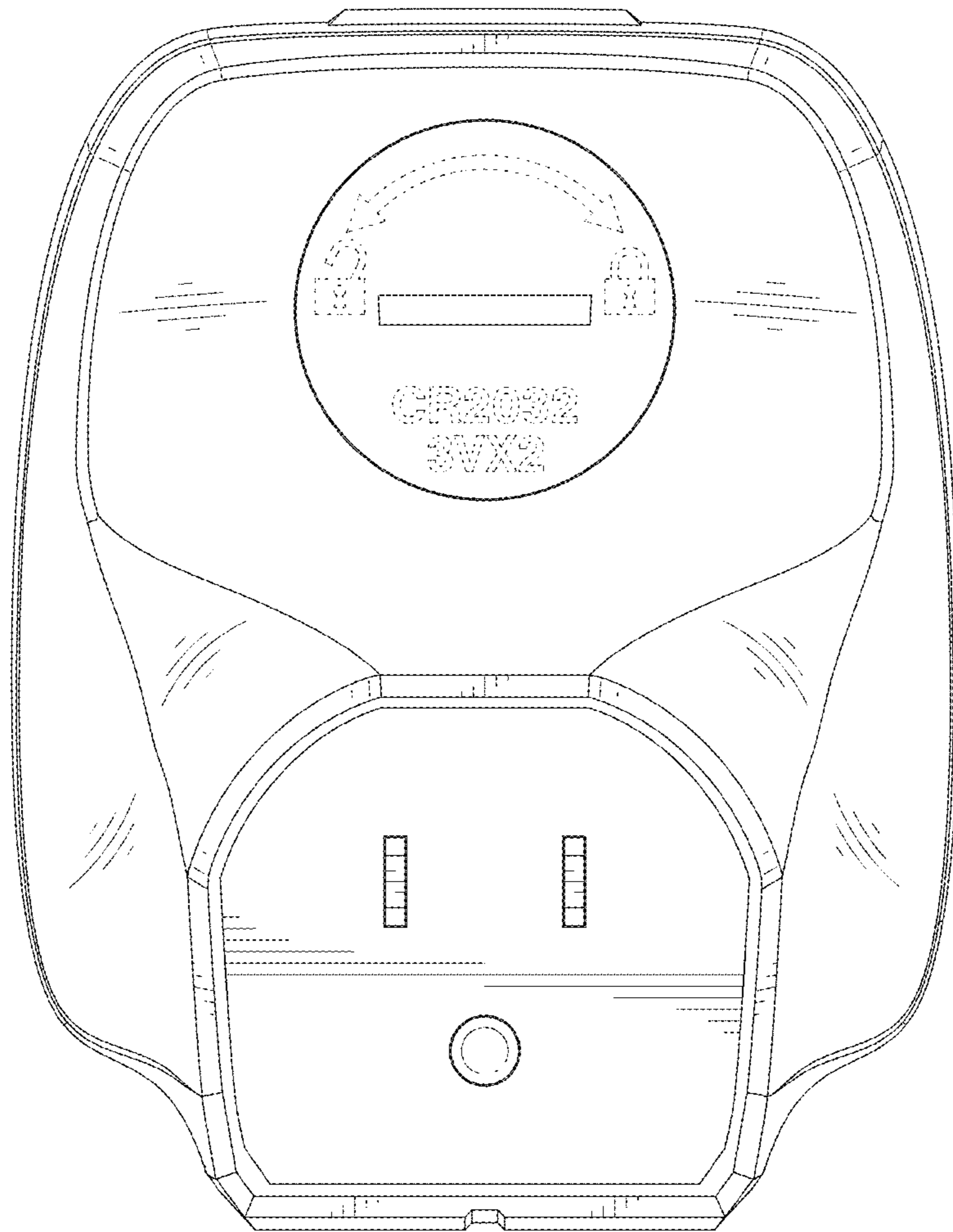


FIG.4

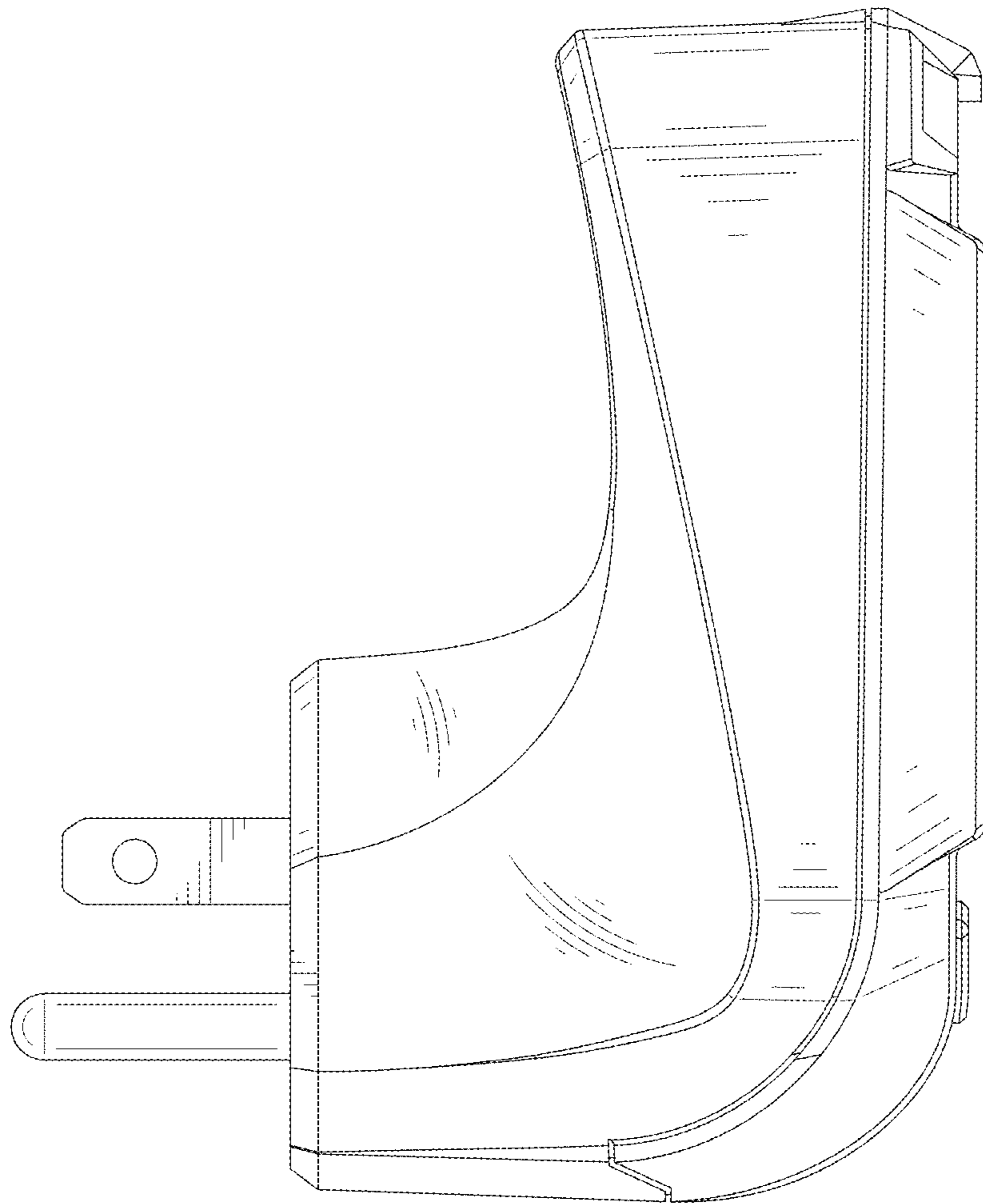


FIG.5

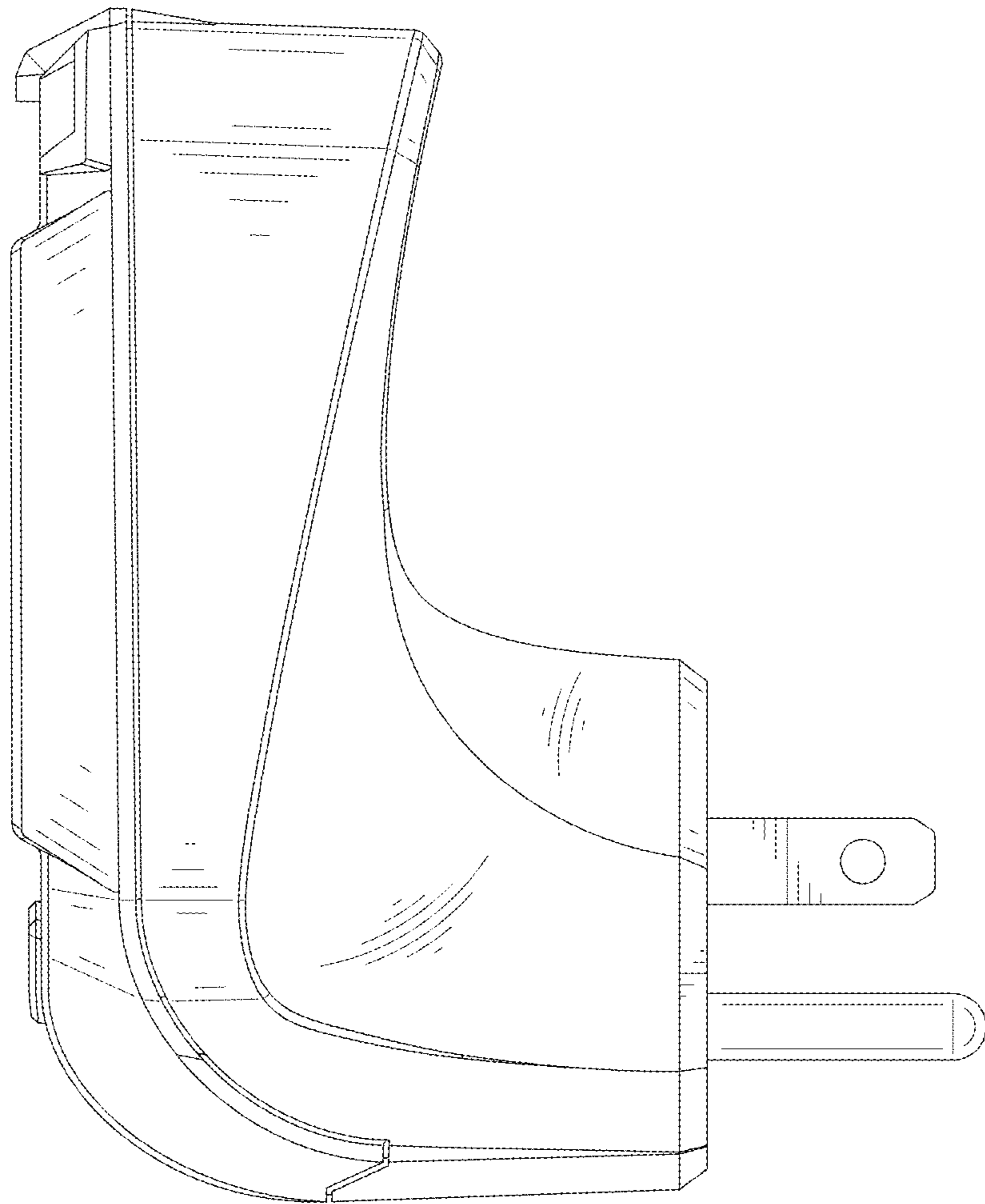


FIG.6

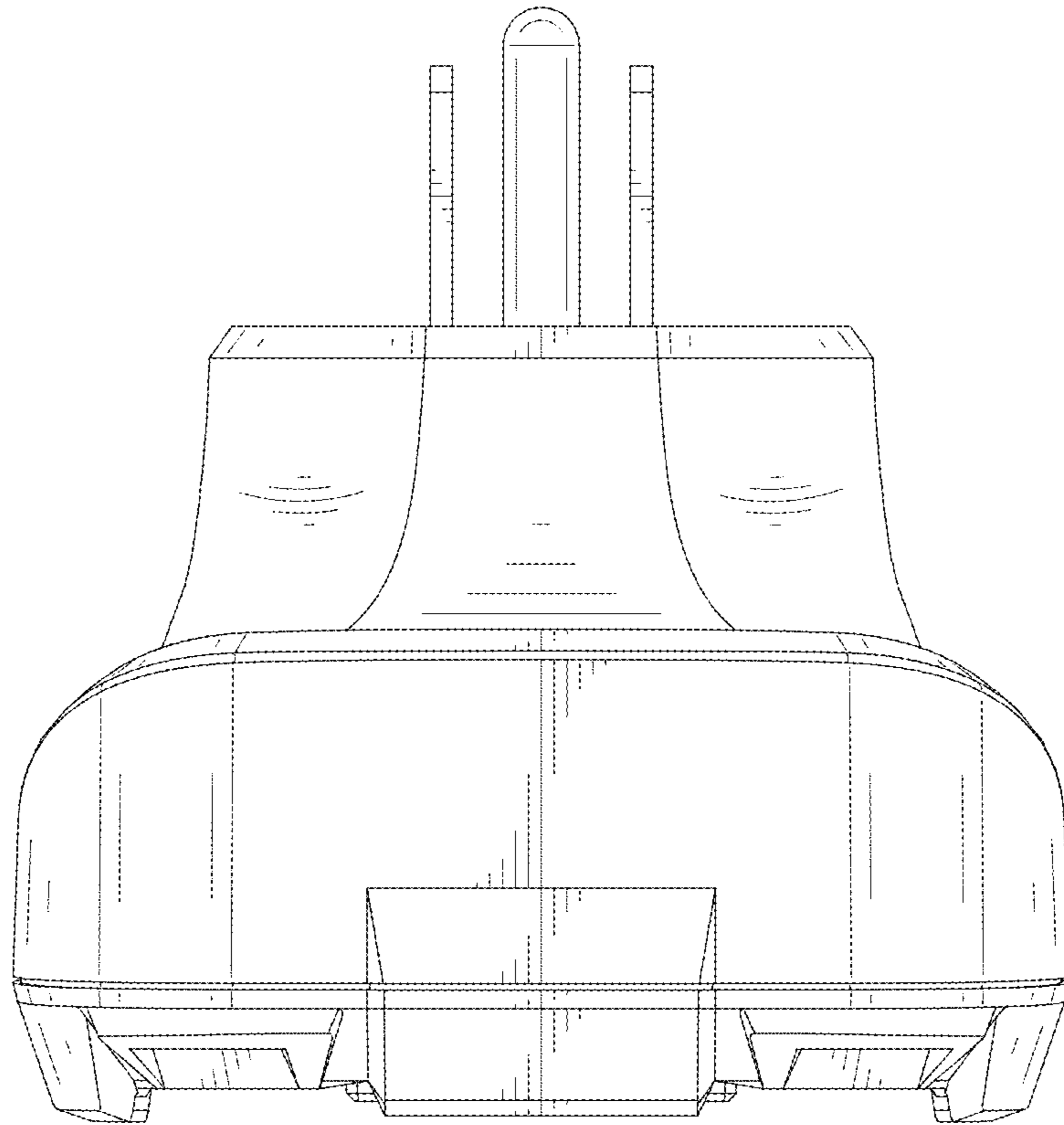


FIG.7

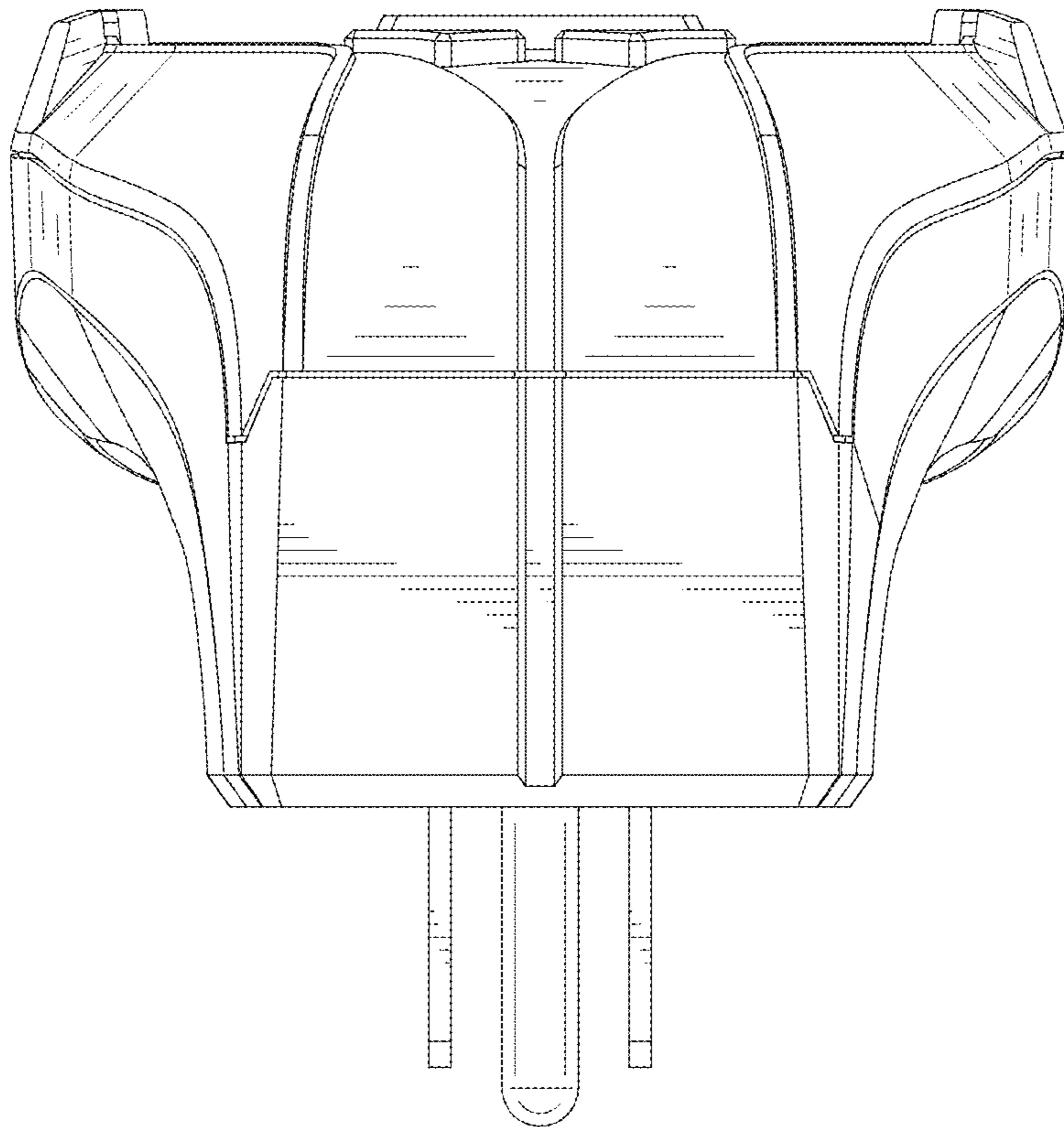


FIG.8