



US00D957971S

(12) **United States Design Patent** (10) **Patent No.:** **US D957,971 S**
Fu (45) **Date of Patent:** **** Jul. 19, 2022**

(54) **MULTI-FUNCTION WIRE TESTER**

(71) Applicant: **Huizhou FuYi Electronic Technology Co., Ltd., Huizhou (CN)**

(72) Inventor: **Chenqin Fu, Huizhou (CN)**

(**) Term: **15 Years**

(21) Appl. No.: **29/736,192**

(22) Filed: **May 28, 2020**

(51) **LOC (13) Cl.** **10-04**

(52) **U.S. Cl.**
USPC **D10/78**

(58) **Field of Classification Search**
USPC D10/78, 103, 102, 70, 47; D14/203.7,
D14/186

CPC G01R 15/125; G01R 1/04; G01R 15/002;
G01R 1/0675; G01R 1/06788; H04W
88/05; G01S 3/7865; G08B 21/182

See application file for complete search history.

(56) **References Cited**

U.S. PATENT DOCUMENTS

4,860,901	A *	8/1989	Hochreuther	G01R 1/04 73/431
5,166,599	A *	11/1992	Hochreuther	G01R 15/12 324/157
D347,187	S *	5/1994	Chou	D10/78
D348,016	S *	6/1994	Gautieri	D10/78
D348,849	S *	7/1994	Thompson	D10/78
5,442,337	A *	8/1995	Hwang	G01R 15/125 340/687
5,619,129	A *	4/1997	Kamiya	G01R 1/36 D10/78
D408,307	S *	4/1999	Blye	D10/78
D425,803	S *	5/2000	Luebke	D10/70
D440,165	S *	4/2001	Igelmund	D10/78
D481,963	S *	11/2003	Onuma	D10/78
D530,233	S *	10/2006	Janky	D10/78
D625,211	S *	10/2010	Chun	D10/78
D637,926	S *	5/2011	Chun	D10/78

D642,564	S *	8/2011	Busri	D10/78
D661,605	S *	6/2012	Laurino	D10/78
D670,581	S *	11/2012	Matuschek	D10/70
D678,091	S *	3/2013	Tan	D10/78

(Continued)

OTHER PUBLICATIONS

Tonor RJ45 Telephone Wire Network LAN Multi Function Electric Wire Cable Line Finder Tracker Re, YouTube, publication date Aug. 10, 2016, (online) URL: <https://www.youtube.com/watch?v=PWIibNYZ6Sc> (Year: 2016).*

Primary Examiner — L. A. Grabenstetter

Assistant Examiner — Antoinette Martine Suiter

(74) *Attorney, Agent, or Firm* — Novoclaims Patent Services LLC; Mei Lin Wong

(57) **CLAIM**

The ornamental design for a multi-function wire tester, as shown and described.

DESCRIPTION

FIG. 1 is a front perspective view of a multi-function wire tester, showing my new design;

FIG. 2 is a rear perspective view thereof;

FIG. 3 is a front view thereof;

FIG. 4 is a rear view thereof;

FIG. 5 is a left side view thereof;

FIG. 6 is a right side view thereof;

FIG. 7 is a top view thereof;

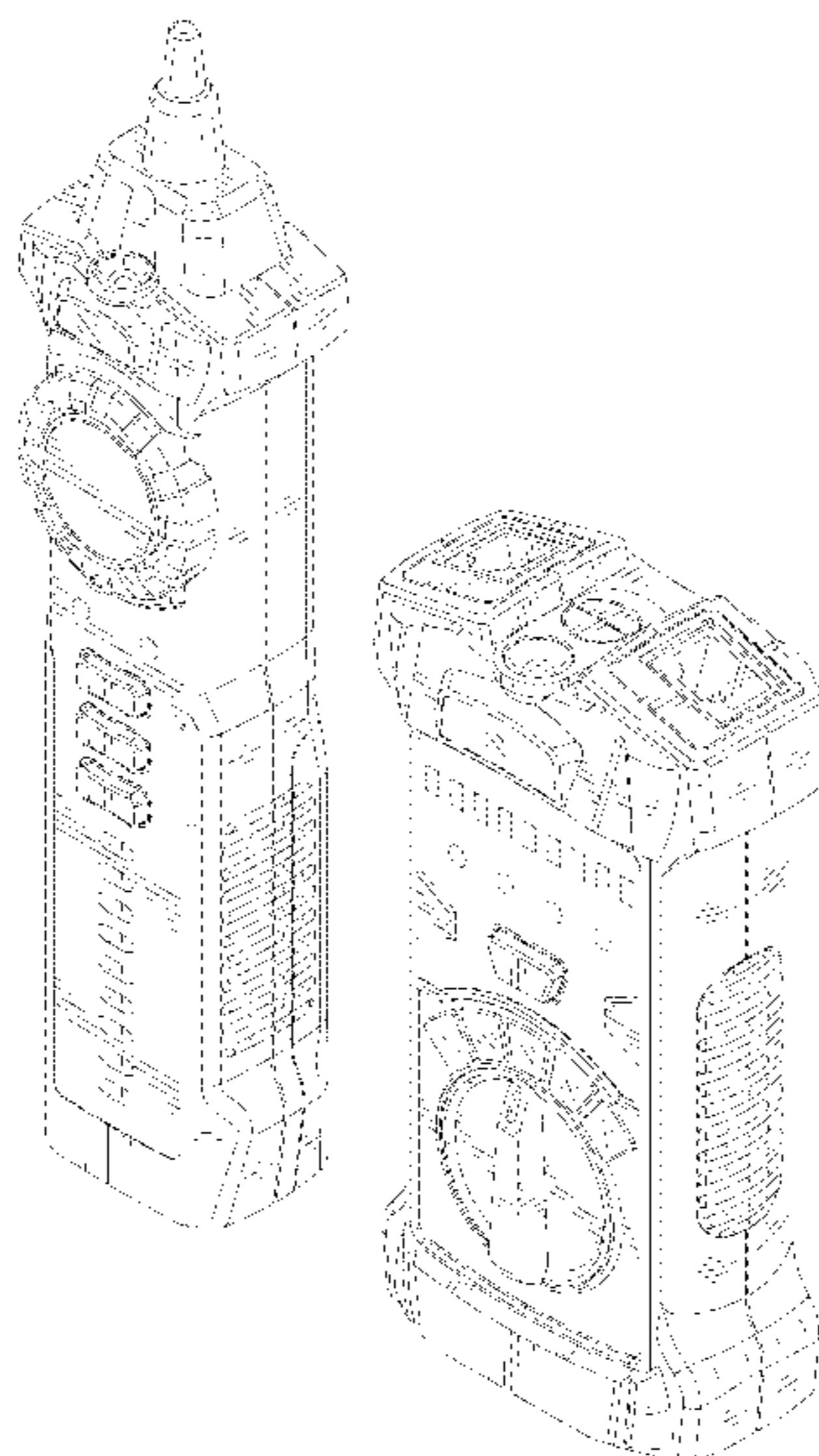
FIG. 8 is a bottom view thereof;

FIG. 9 is a right side view of the left component of the multi-function wire tester, shown in isolation for clarity; and,

FIG. 10 is a left side view of the right component of the multi-function wire tester, shown in isolation for clarity.

The broken lines in the drawings depict portions of the multi-function wire tester that form no part of the claimed design.

1 Claim, 9 Drawing Sheets



(56)

References Cited

U.S. PATENT DOCUMENTS

D705,099	S	*	5/2014	Heishi	D10/78
D766,117	S	*	9/2016	Wong	D10/78
D837,076	S	*	1/2019	Fu	D10/78
D838,196	S	*	1/2019	Yang	D10/78
D853,258	S	*	7/2019	Xiaohong	D10/78
D884,519	S	*	5/2020	Armstrong	D10/78
D890,003	S	*	7/2020	Martínez De Sarasa	D10/78
D890,617	S	*	7/2020	Mimouni	D10/78
D895,460	S	*	9/2020	Li	D10/78
D937,102	S	*	11/2021	Deng	D10/47

* cited by examiner

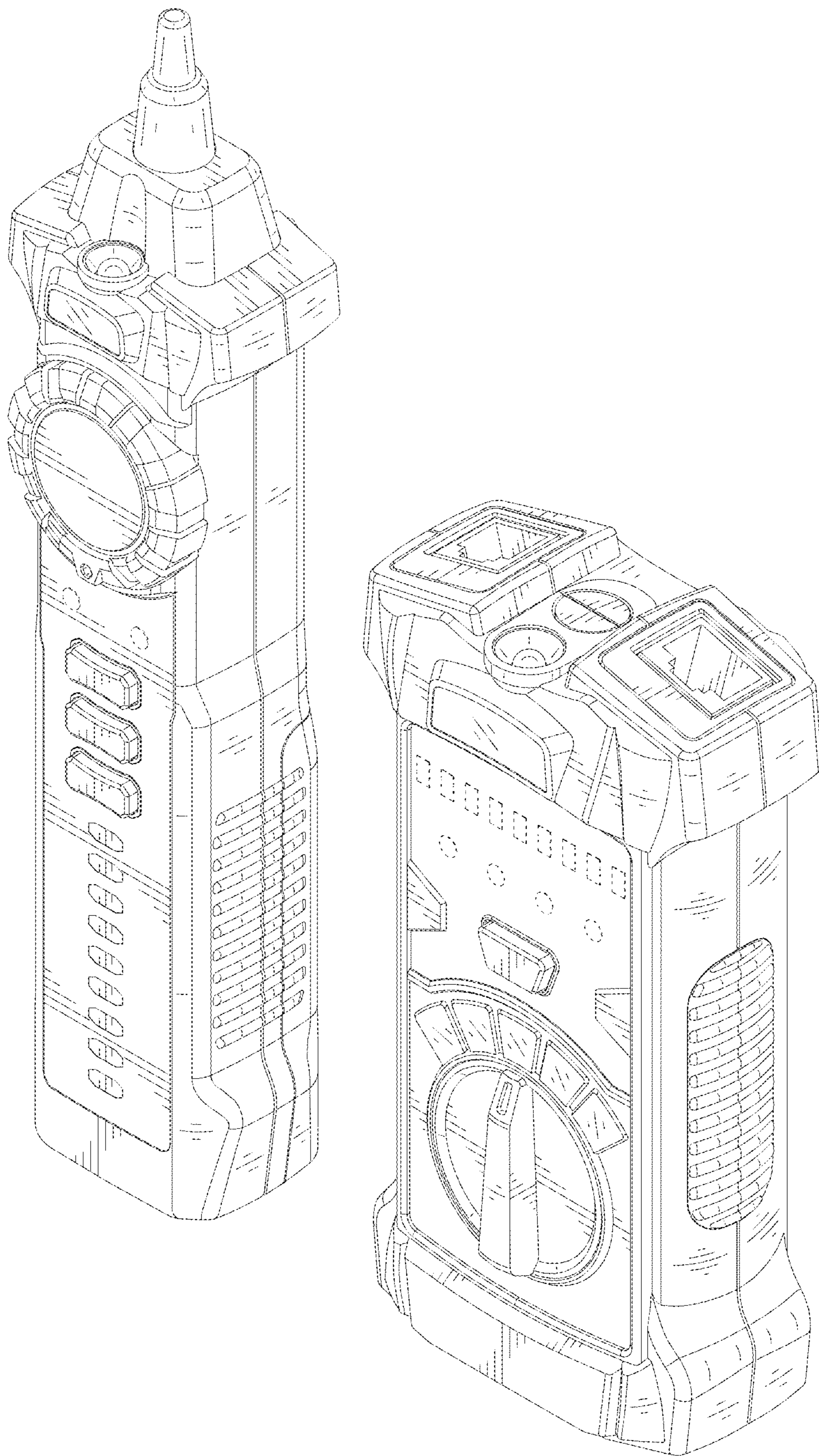


FIG.1

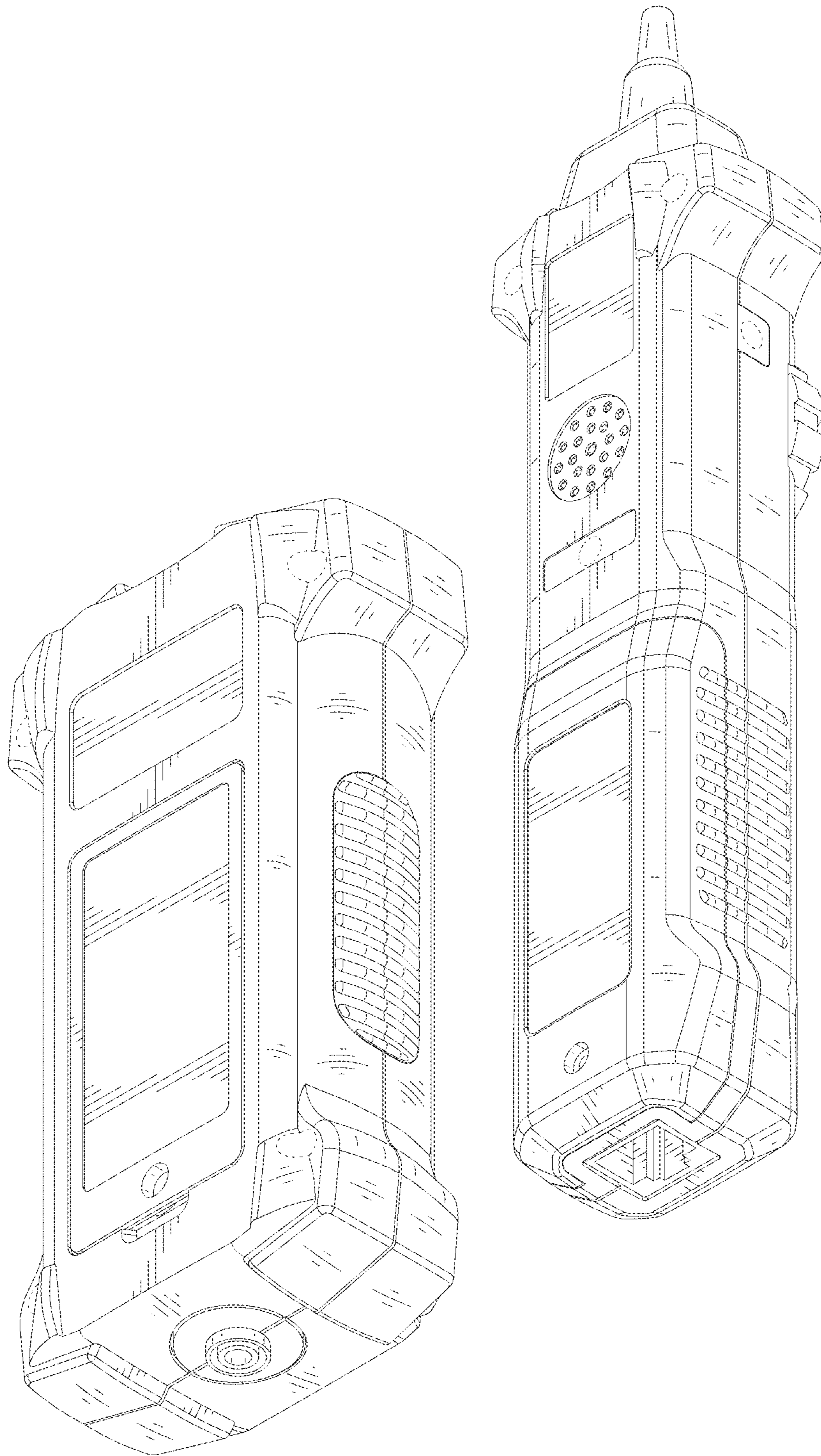


FIG.2

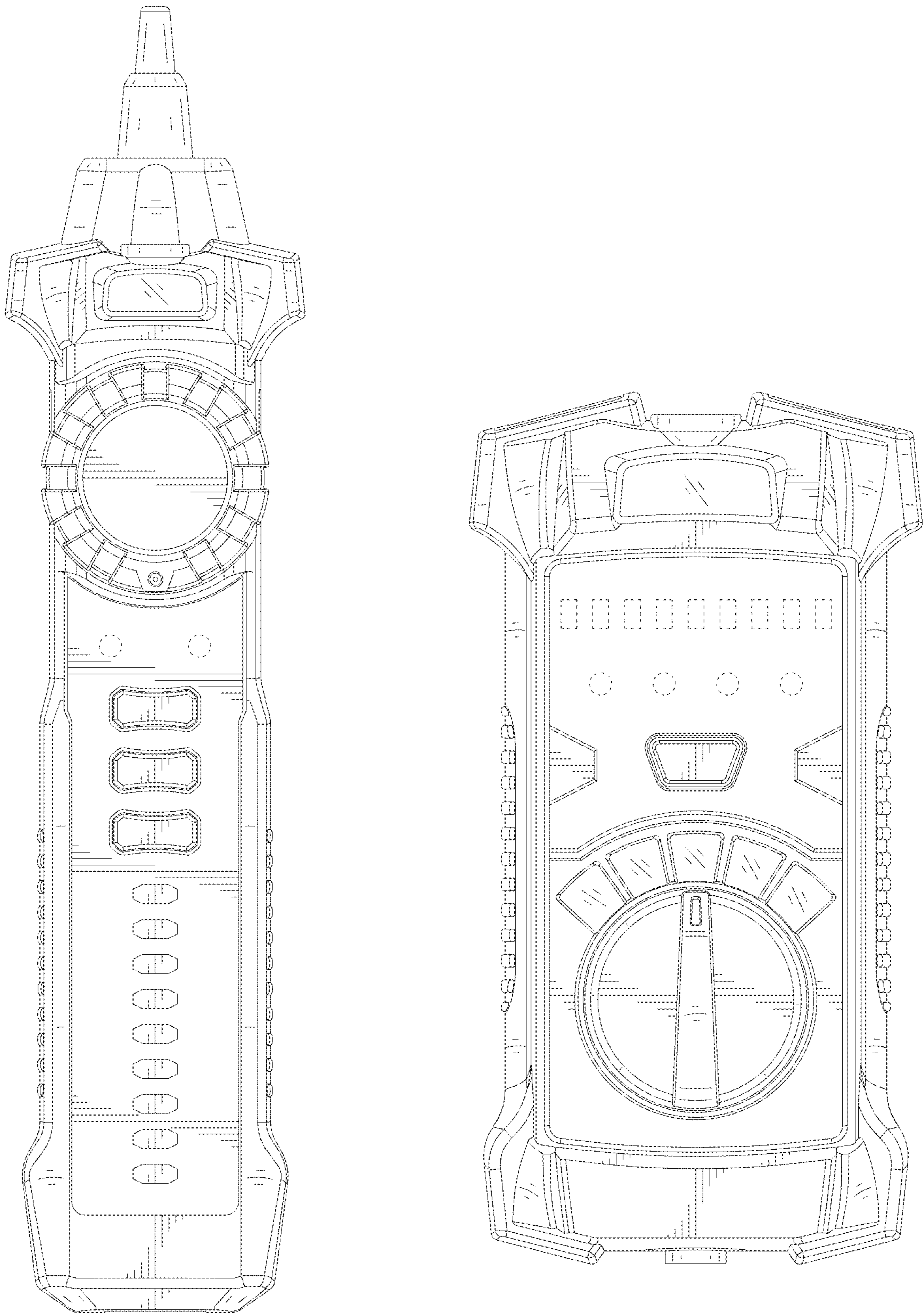


FIG.3

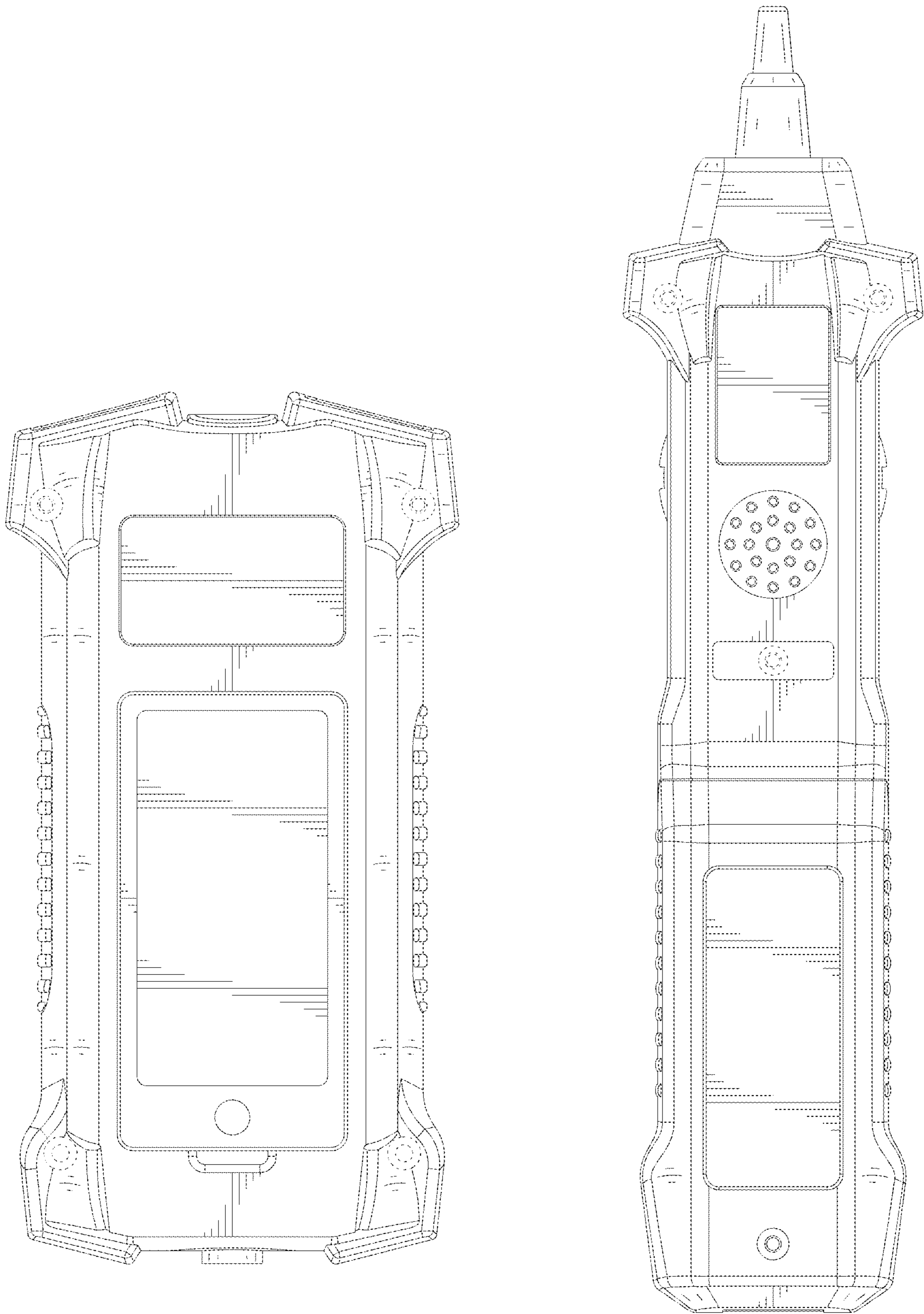


FIG.4

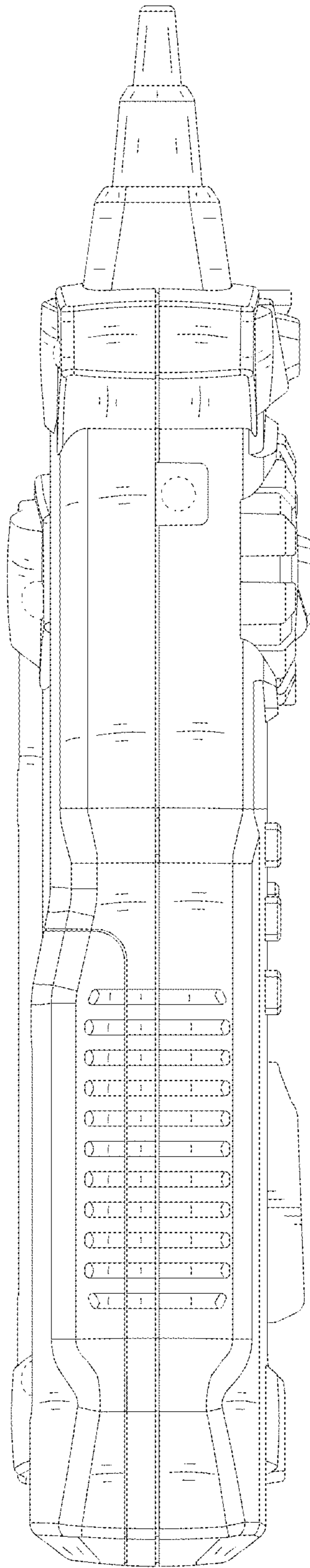


FIG.5

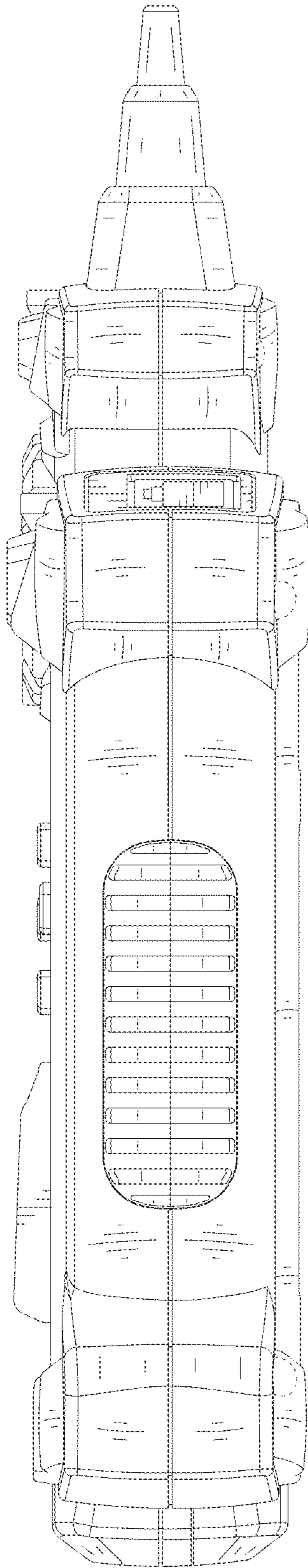


FIG.6

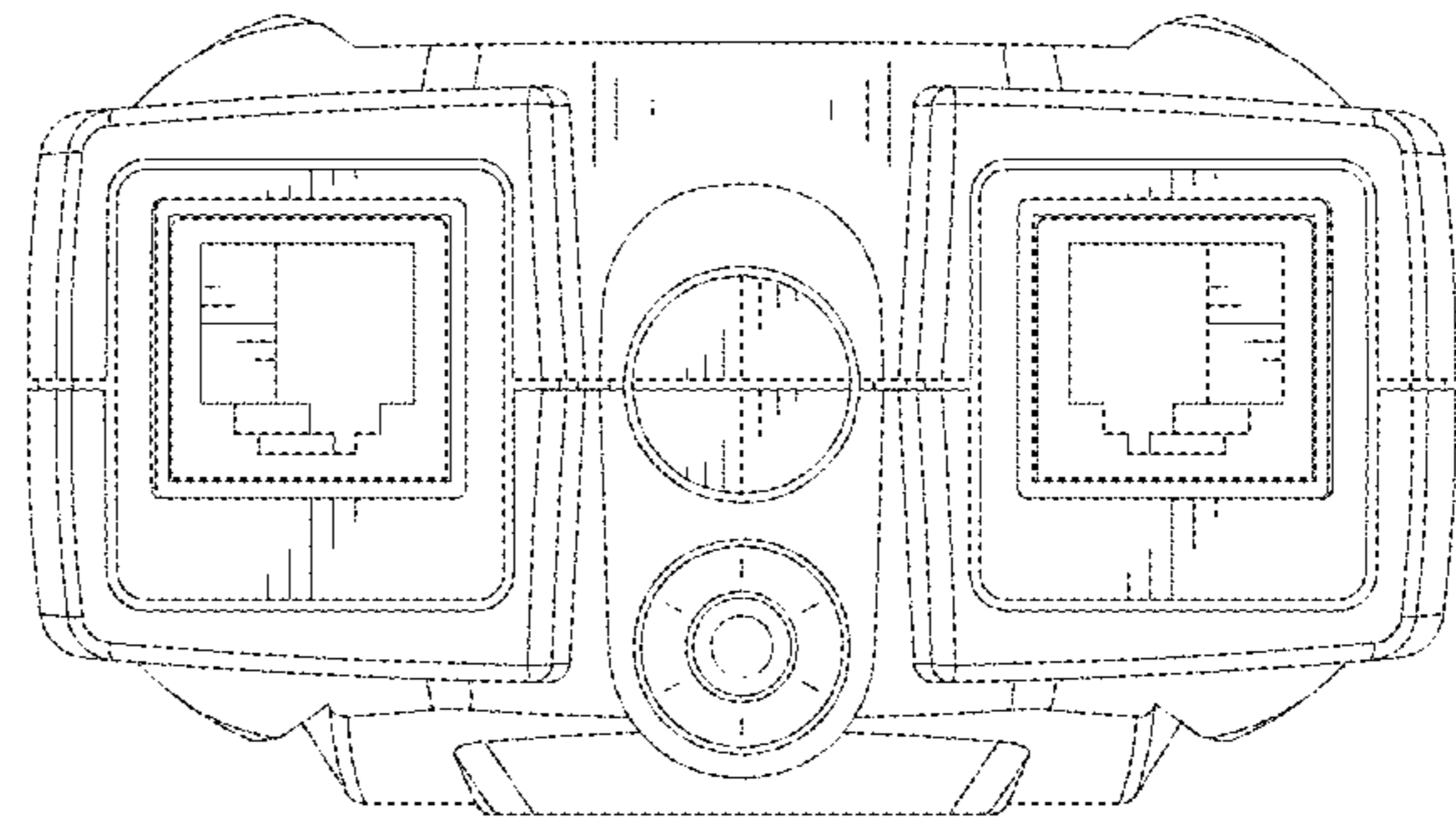
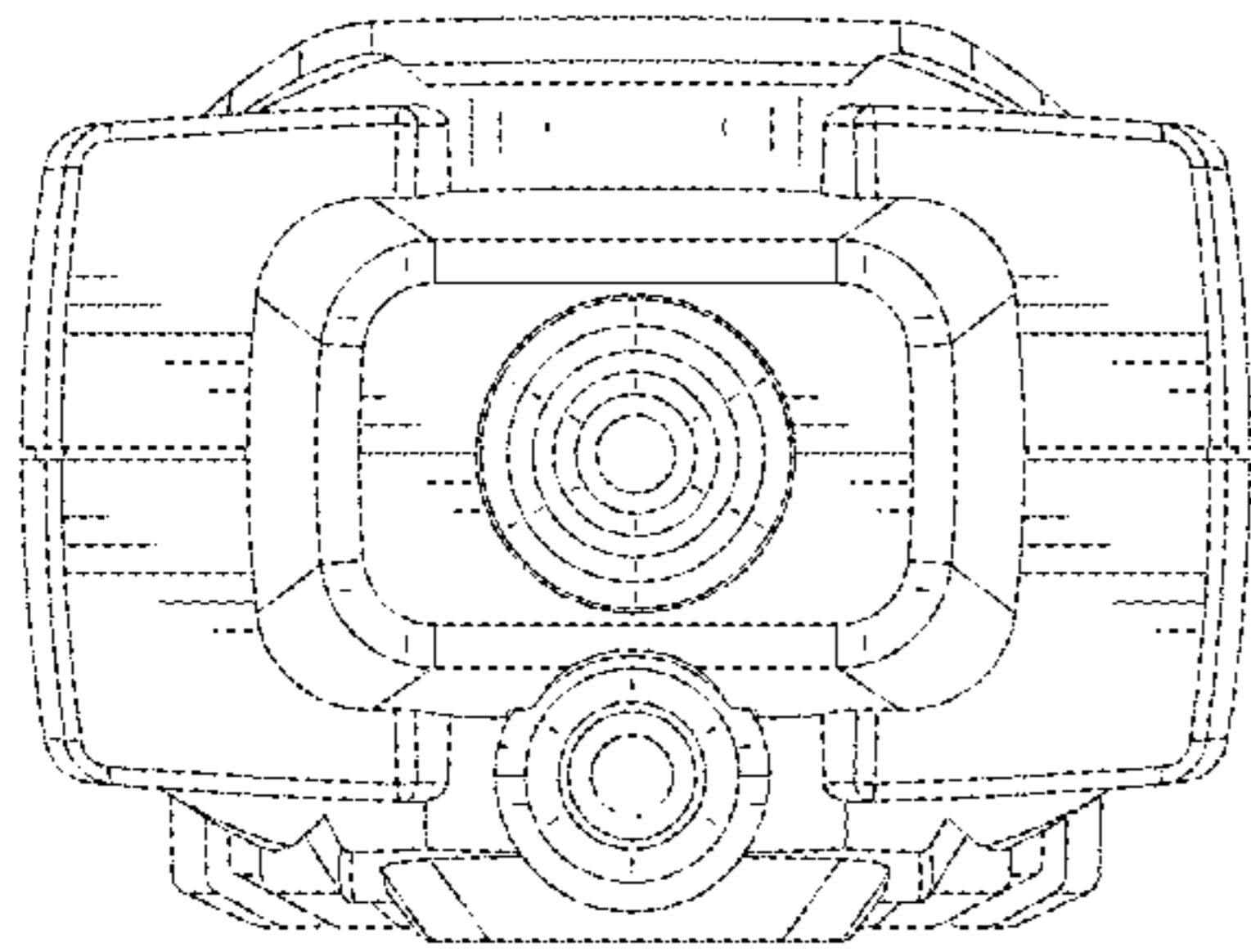


FIG.7

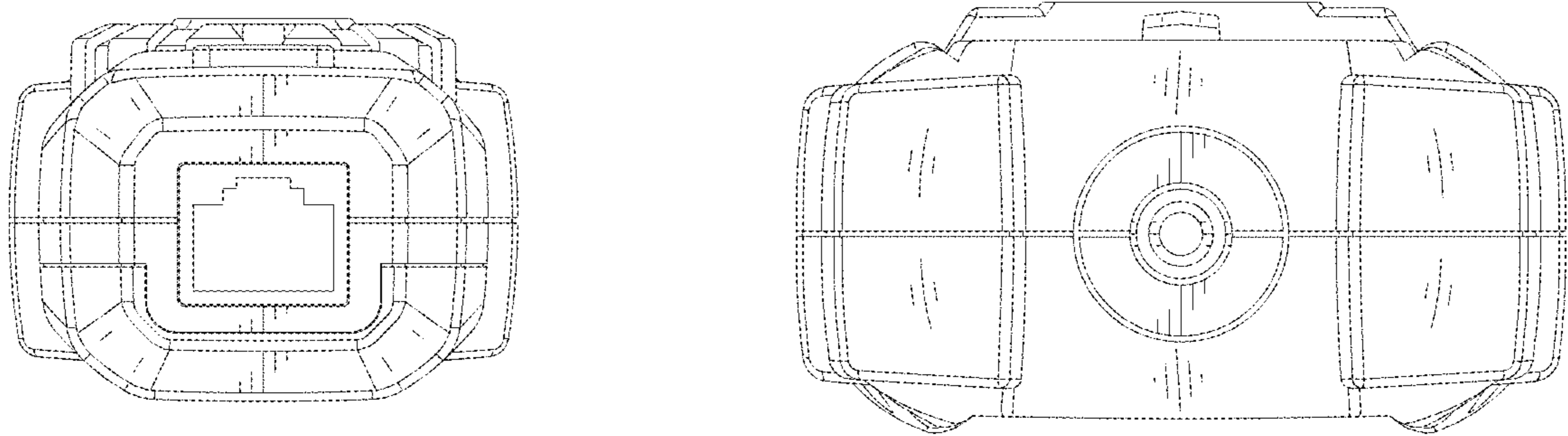


FIG.8

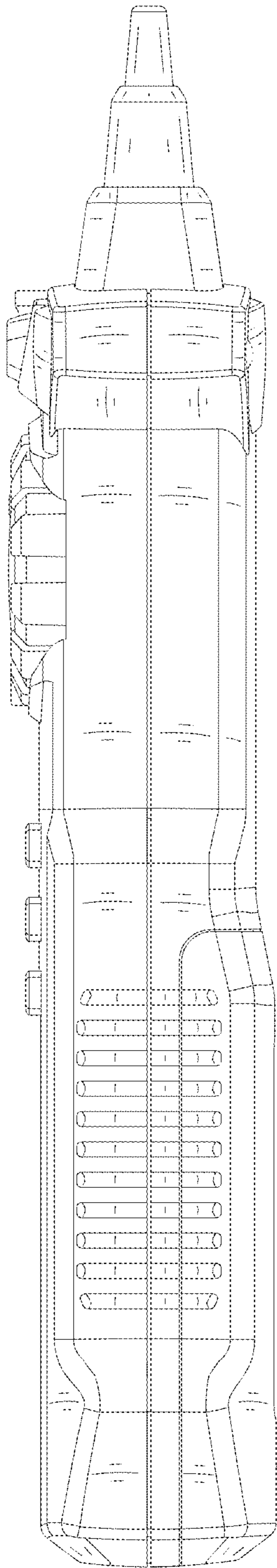


FIG.9

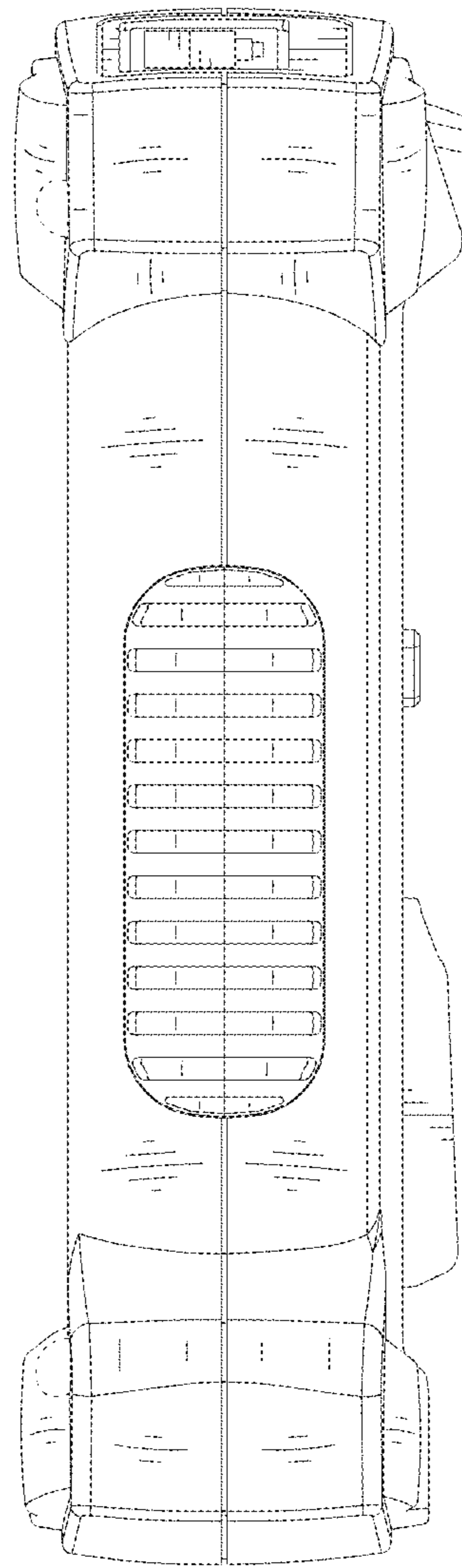


FIG.10