



US00D957968S

(12) **United States Design Patent** (10) **Patent No.:** **US D957,968 S**  
**Ahn et al.** (45) **Date of Patent:** **\*\* Jul. 19, 2022**

(54) **SENSOR HOUSING**

(71) Applicant: **Waymo LLC**, Mountain View, CA (US)  
(72) Inventors: **YooJung Ahn**, Mountain View, CA (US); **Albert Shane**, Berkeley, CA (US); **Jared Gross**, Belmont, CA (US); **Alexandre Girard**, San Mateo, CA (US)  
(73) Assignee: **Waymo LLC**, Mountain View, CA (US)

(\*\*) Term: **15 Years**

(21) Appl. No.: **29/734,430**

(22) Filed: **May 12, 2020**

**Related U.S. Application Data**

(63) Continuation of application No. 29/722,227, filed on Jan. 28, 2020, which is a continuation-in-part of (Continued)

(51) **LOC (13) Cl.** ..... **10-04**

(52) **U.S. Cl.**  
USPC ..... **D10/70**

(58) **Field of Classification Search**  
USPC ..... D10/70; D12/190, 197  
(Continued)

(56) **References Cited**

**U.S. PATENT DOCUMENTS**

D328,436 S 8/1992 Fuerst et al.  
D335,467 S 5/1993 Cheng  
(Continued)

**FOREIGN PATENT DOCUMENTS**

CN 306381056 3/2021  
CN 3065597780 S 5/2021  
(Continued)

**OTHER PUBLICATIONS**

PCT Search Report and Written Opinion in International Application No. PCT/US2020/043068, dated Oct. 15, 2020.  
(Continued)

*Primary Examiner* — Antoine Duval Davis  
(74) *Attorney, Agent, or Firm* — Banner & Witcoff, Ltd.

(57) **CLAIM**

The ornamental design for a sensor housing, as shown and described.

**DESCRIPTION**

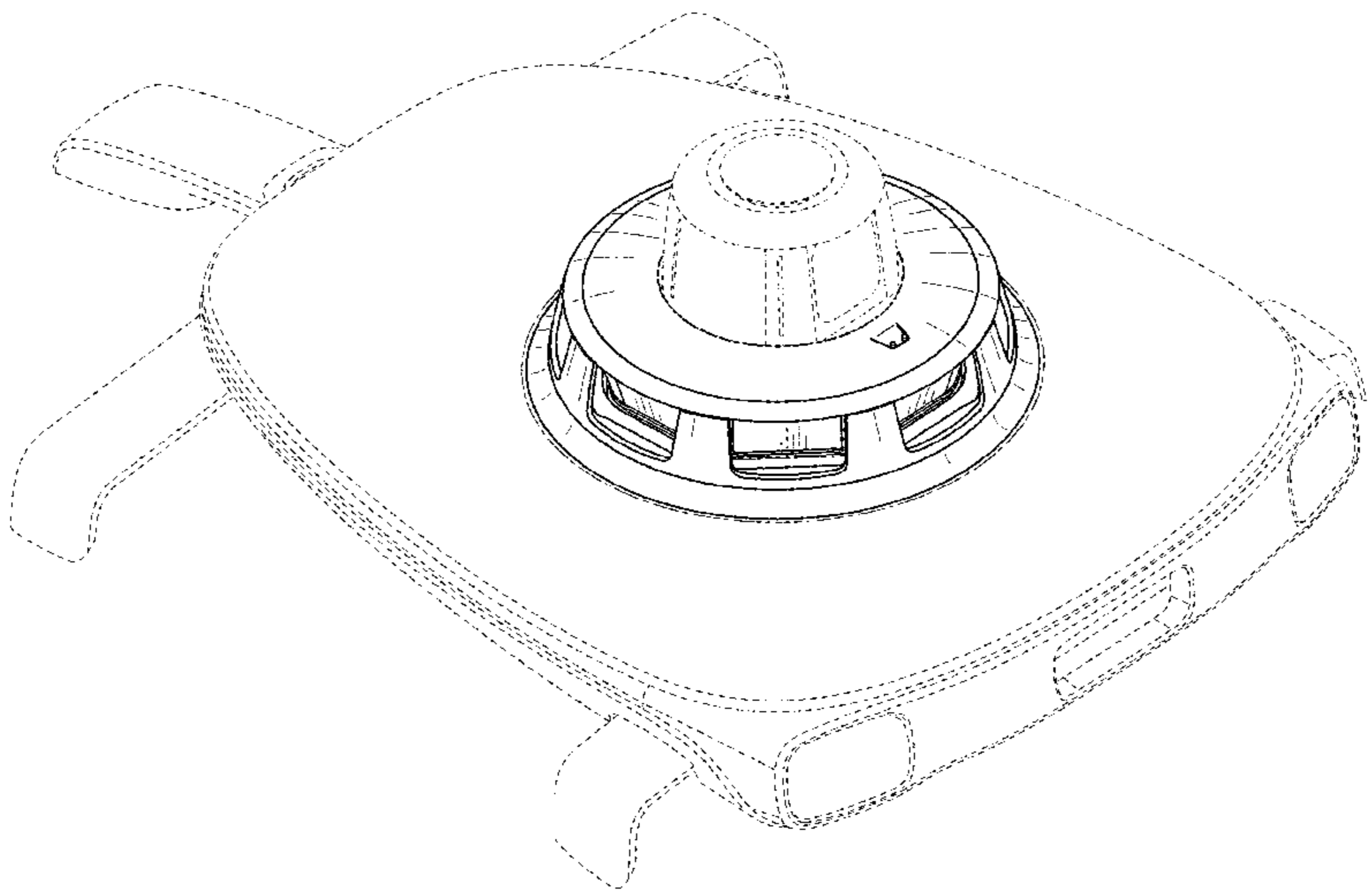
FIG. 1 is a front perspective view of a sensor housing according to a first embodiment of our design; FIG. 2 is a front elevation view thereof; FIG. 3 is a back elevation view thereof; FIG. 4 is a right side elevation view thereof; FIG. 5 is a left side elevation view thereof; FIG. 6 is a top plan view thereof; FIG. 7 is a bottom plan view thereof; FIG. 8 is a front perspective view of a sensor housing according to a second embodiment of our design; FIG. 9 is a front elevation view thereof; FIG. 10 is a back elevation view thereof; FIG. 11 is a right side elevation view thereof; FIG. 12 is a left side elevation view thereof; FIG. 13 is a top plan view thereof; and, FIG. 14 is a bottom plan view thereof.

The broken lines in the figures illustrate elements of the sensor housing that form no part of the claimed design. The dash-dot lines in the figures illustrate perimeters of the claimed design. The dash-dot lines form no part of the claimed design.

The sensor housing may be arranged along a portion of a vehicle, such as along a roof of the vehicle. In one example the sensor housing includes at least one sensor therein, such as a camera or lidar sensor.

The areas in the embodiments of FIGS. 8-14 shown in a pattern of stipple illustrate areas of contrasting appearance.

**1 Claim, 10 Drawing Sheets**



**Related U.S. Application Data**

application No. 29/689,690, filed on May 1, 2019, now Pat. No. Des. 915,913, and a continuation-in-part of application No. 29/680,845, filed on Feb. 20, 2019, now Pat. No. Des. 902,756.

(58) **Field of Classification Search**

CPC .. B60Q 1/0017; B60Q 1/0023; B60Q 1/0029; B60Q 1/0035; B60Q 1/0041; B60Q 1/26; B60Q 1/2603; B60Q 1/2607; B60Q 1/2611; B60Q 9/002; B60Q 9/003; B60Q 9/004; B60Q 9/006; B60Q 9/007; B60Q 9/008; B60R 1/10; B60R 1/12; B60R 2001/1284; G05D 1/0055; G05D 1/021; G05D 1/0212; G05D 1/0016; G05D 1/0088; G05D 1/02; G05D 2201/0212; B60K 37/06; B60K 35/00; B60K 28/02; B60K 2370/128; B60K 2370/682; B60K 2370/175; B60K 2370/12; B60K 2370/122; B60K 2370/143; B60W 50/082; B60W 30/06; B60W 2540/215; B62D 15/0285; B60Y 2302/05; G08B 25/016

See application file for complete search history.

(56) **References Cited**

U.S. PATENT DOCUMENTS

D395,408	S	6/1998	Wiesemann	
D413,277	S	8/1999	Scheibe	
5,945,907	A	8/1999	Yaron et al.	
D427,101	S	6/2000	Leen	
D434,992	S	12/2000	Hiller et al.	
D445,386	S	7/2001	Sacco et al.	
D454,574	S	3/2002	Wasko et al.	
D478,518	S	8/2003	Porter	
D525,888	S	8/2006	Porter	
7,109,880	B2	9/2006	Sibalich et al.	
D547,222	S	7/2007	Wilson et al.	
D563,246	S	3/2008	Ishii et al.	
7,459,672	B2	12/2008	Jensen et al.	
7,517,099	B2	4/2009	Hannah	
D644,663	S	9/2011	Gardner et al.	
D651,532	S	1/2012	Li et al.	
D689,385	S	9/2013	Haws	
D717,720	S	11/2014	Marino	
D726,214	S	4/2015	Wantland et al.	
D726,560	S	4/2015	Gaw	
D727,181	S	4/2015	Papadourakis	
D731,905	S	6/2015	Olivieri et al.	
D734,211	S	* 7/2015	Ahn .....	D12/86
D739,336	S	9/2015	Berrey	
D750,098	S	2/2016	Song	
D759,698	S	6/2016	Kirsch et al.	
9,373,112	B1	6/2016	Henderson et al.	
D761,815	S	7/2016	Velasco et al.	
D775,978	S	1/2017	Christianson et al.	
D782,349	S	3/2017	Konotopskyi et al.	
D784,397	S	4/2017	Kim et al.	
D788,607	S	6/2017	Ji et al.	
D788,625	S	6/2017	Hsieh et al.	
D789,427	S	6/2017	Jackson et al.	
D791,994	S	7/2017	Liu	
D795,108	S	8/2017	Kondo et al.	
9,725,060	B1	8/2017	Daniel et al.	
9,802,656	B1	10/2017	Williams	
D809,001	S	1/2018	Funnell, II et al.	
9,862,311	B2	1/2018	Kiriyama et al.	
D810,112	S	2/2018	Hasjim et al.	
9,885,526	B2	2/2018	Maranville et al.	
D818,915	S	5/2018	Kozub et al.	

D819,043	S	5/2018	Yamaura et al.	
D821,232	S	6/2018	Ewringmann et al.	
D822,580	S	7/2018	Eriksson et al.	
D825,357	S	8/2018	Ahn et al.	
D826,073	S	8/2018	Alkelai et al.	
D828,257	S	9/2018	Akrapovic et al.	
D829,239	S	9/2018	Rehman	
D831,053	S	10/2018	Guo et al.	
D834,971	S	12/2018	Ahn et al.	
D835,028	S	12/2018	Ahn et al.	
10,302,744	B1	5/2019	Krishnan et al.	
D850,303	S	6/2019	Wang et al.	
D850,946	S	6/2019	Zhevelev et al.	
10,359,507	B2	7/2019	Berger et al.	
D858,381	S	9/2019	Ahn et al.	
D858,550	S	9/2019	Crandall et al.	
D860,013	S	9/2019	Ahn et al.	
10,444,752	B2	10/2019	Kim et al.	
D866,368	S	* 11/2019	Ahn .....	D10/70
D874,956	S	* 2/2020	Ahn .....	D10/70
D874,957	S	2/2020	Ahn et al.	
D877,162	S	3/2020	Hanson	
D878,264	S	* 3/2020	Ahn .....	D12/190
D887,436	S	6/2020	Crandall et al.	
D897,353	S	9/2020	Hall et al.	
D900,834	S	11/2020	Yamazaki et al.	
D916,851	S	4/2021	Crandall et al.	
2012/0325360	A1	12/2012	Mcgrath et al.	
2013/0242586	A1	9/2013	Huizen et al.	
2014/0049912	A1	2/2014	Marshall	
2016/0011594	A1	1/2016	Chung et al.	
2017/0151933	A1	6/2017	Doorley et al.	
2017/0261273	A1	9/2017	Maranville et al.	
2017/0293016	A1	10/2017	McCloskey et al.	
2017/0297488	A1	10/2017	Wang et al.	
2017/0300060	A1	10/2017	Crawley	
2017/0343654	A1	11/2017	Valois et al.	
2018/0011173	A1	1/2018	Newman	
2018/0015886	A1	1/2018	Frank et al.	
2018/0017680	A1	1/2018	Pennecot et al.	
2018/0037268	A1	2/2018	Moore et al.	
2018/0086280	A1	3/2018	Nguyen	
2019/0247748	A1	8/2019	Yusupov et al.	
2020/0025933	A1	1/2020	Ghannam et al.	
2020/0195816	A1	6/2020	Stein et al.	

FOREIGN PATENT DOCUMENTS

DE	102017104988	A1	9/2017
KR	101998298	B1	7/2019
WO	2017119385	A1	7/2017
WO	2018138584	A1	8/2018

OTHER PUBLICATIONS

European Union Office Action for Application No. 008041701 dated Oct. 26, 2020.  
 How to Bevel Cylinder Edge [on-line], Feb. 2016 [retrieved Oct. 22, 2020], Retrieved from internet <blenderartists.org/t/how-to-bevel-cylinder-edge/663039/4>, screen images. (Year: 2016).  
 Vectto, Travel Places vol. 1, Jan. 12, 2017, iconfinder.com [online], [site visited Nov. 5, 2018]. Available from Internet: <https://www.iconfinder.com/iconsets/travel-places-travel-starter><<http://www.iconfinder.com/iconsets/travel-places-travel-starter>>(Year: 2017).  
 Dreamstime White Oval Button [online], undated [retrieved Jun. 11, 2021], Retrieved from the internet <URL:<https://www.dreamstime.com/white-i> <<http://www.dreamstime.com/white-i>>nterface-oval-button-blank-d-icon-vector-illustration-image137999456>, image (Year: 2021).  
 Houzz Chamfer [online],Jan. 11, 1970 [retrieved Jun. 11, 2021], Retrieved from the internet <URL:<https://www.houzz.com/> <<http://www.houzz.com/>> magazine/chamfer-stsetivw-vs-13436627>, image (Year: 1970).

\* cited by examiner



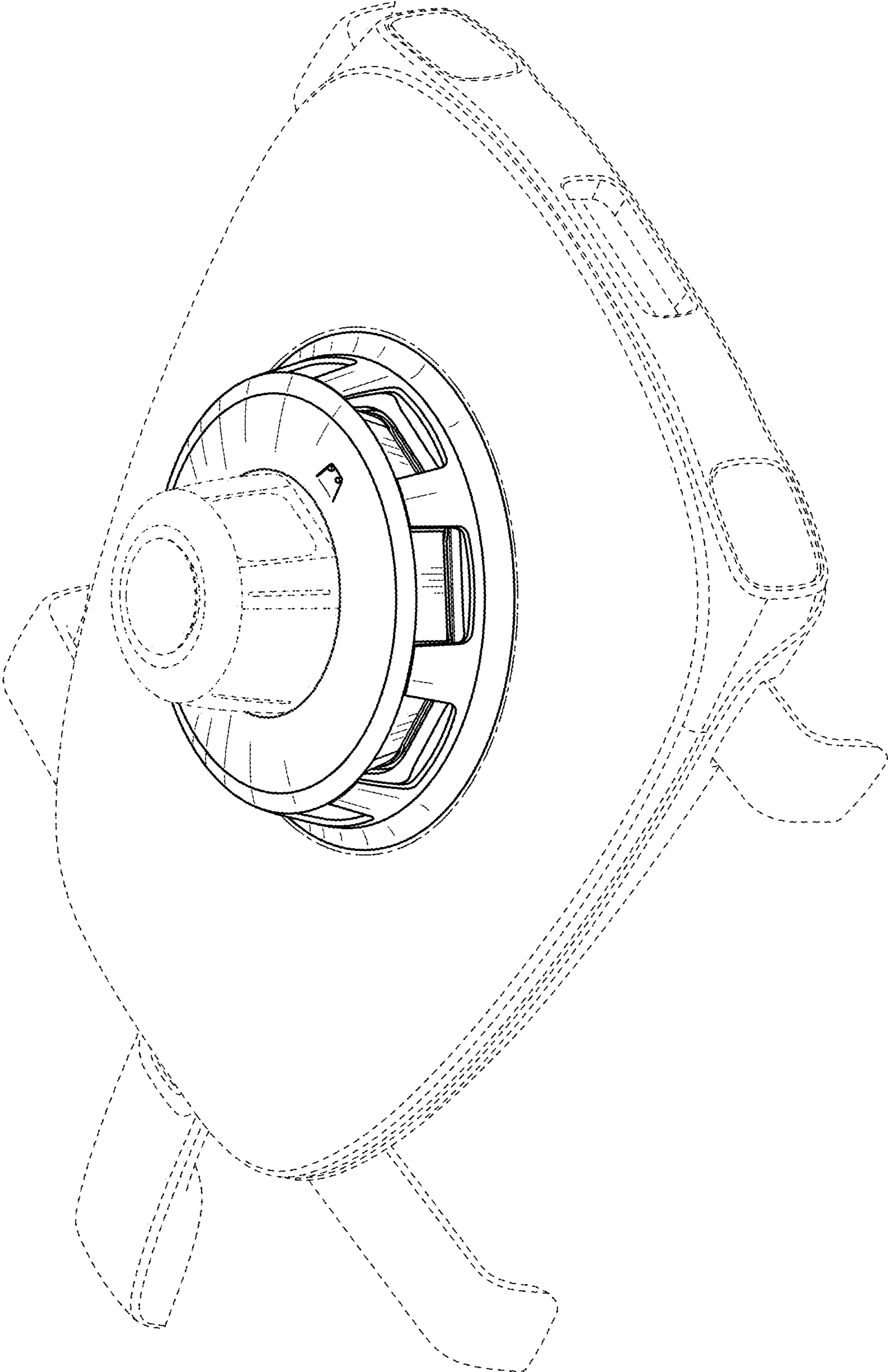


FIG. 1

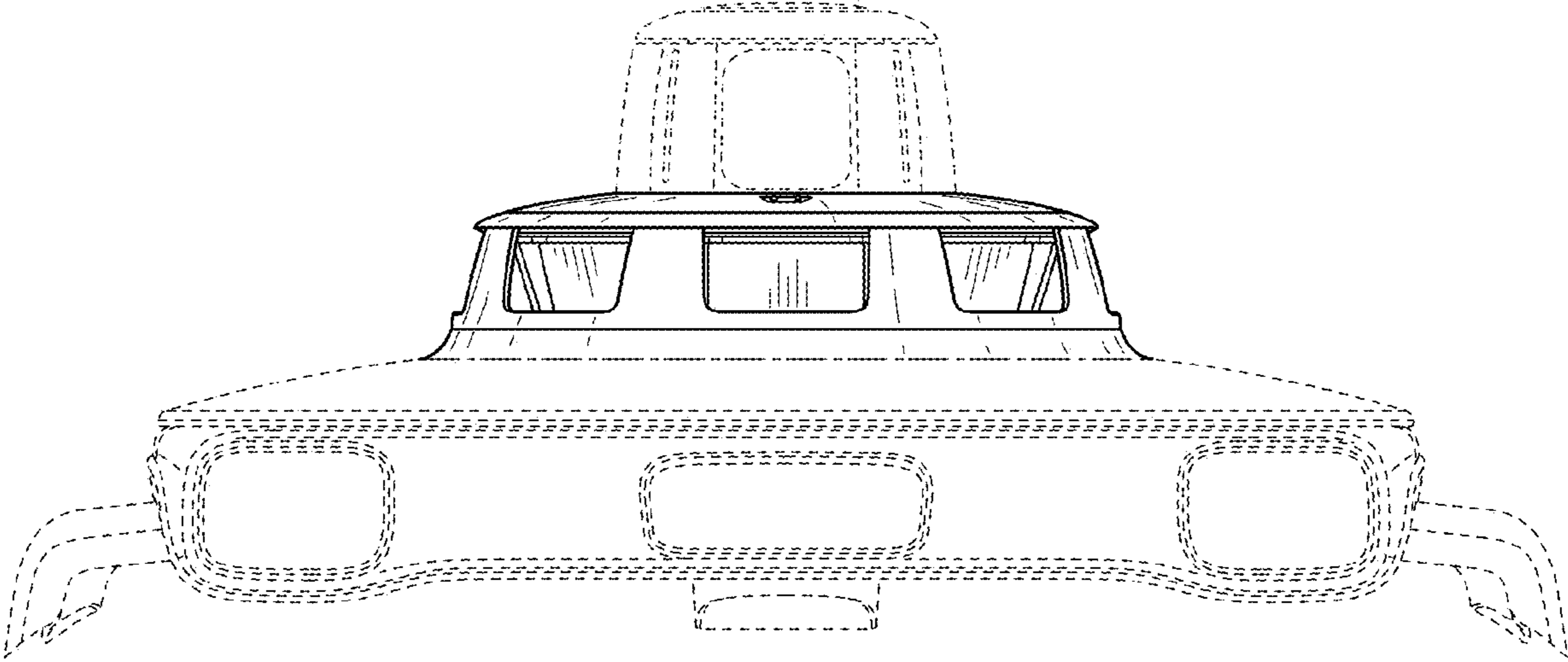


FIG. 2

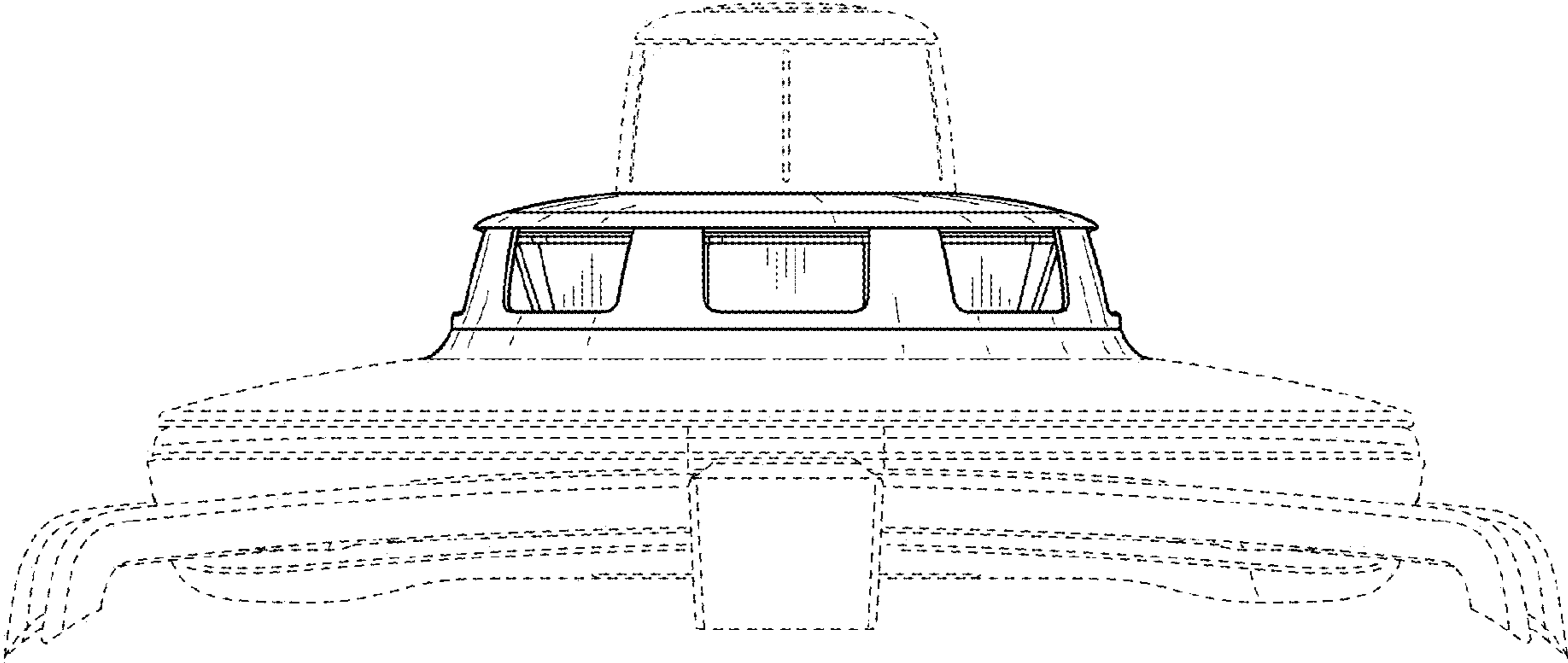


FIG. 3

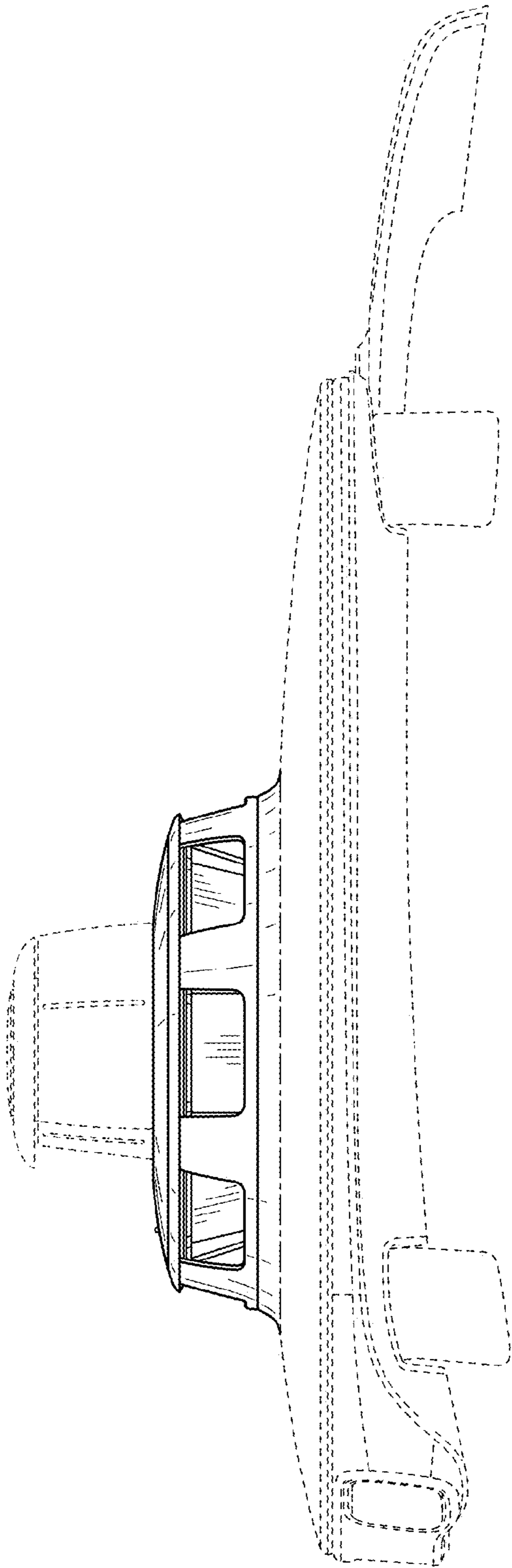


FIG. 4

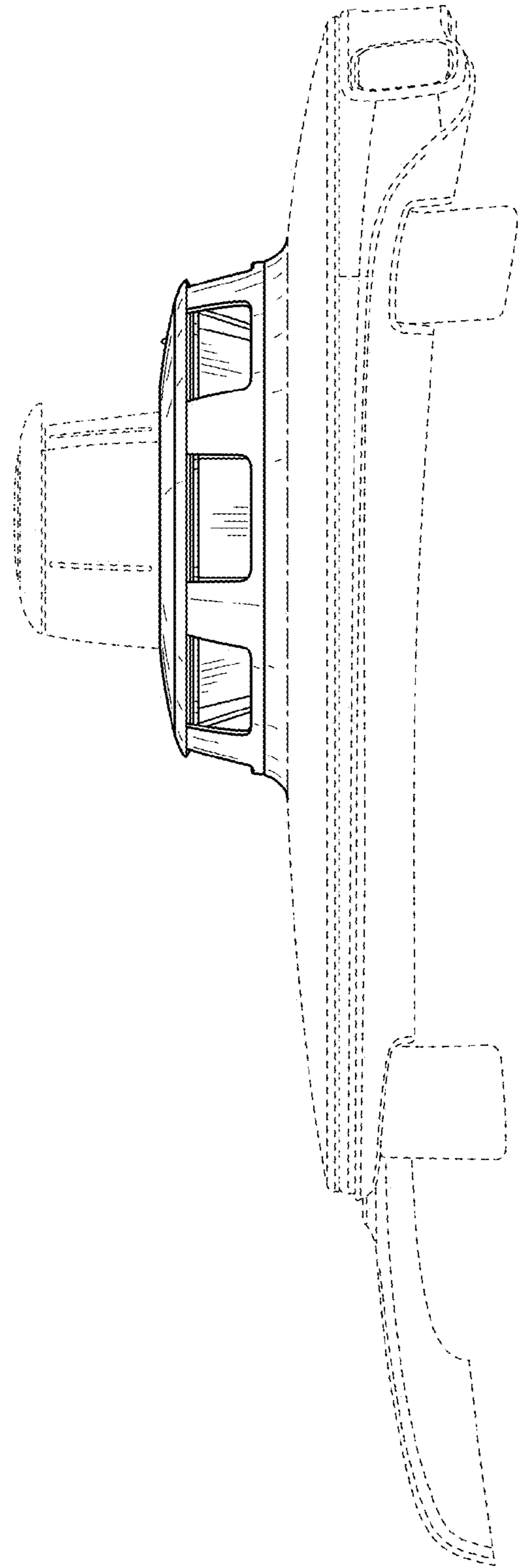


FIG. 5

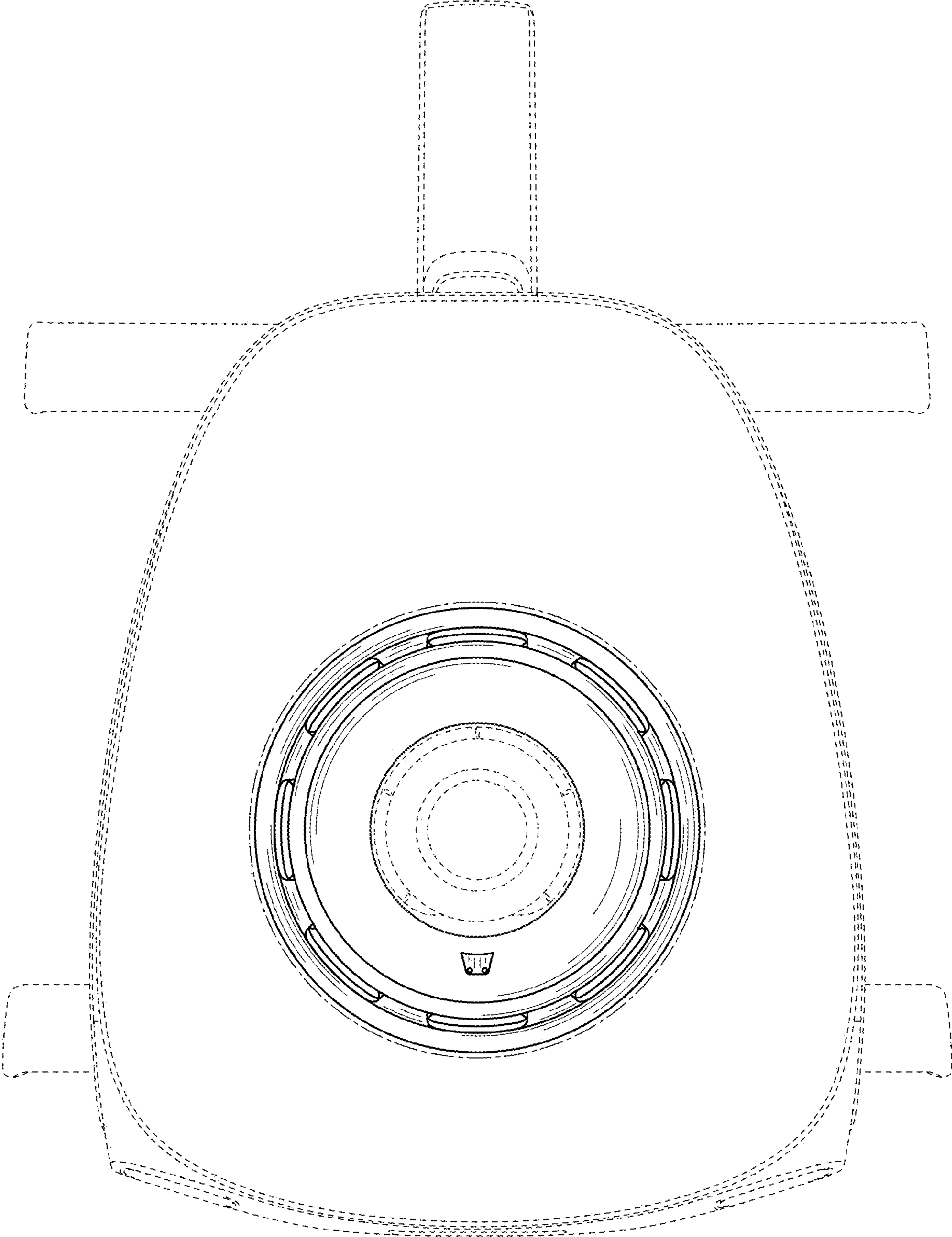


FIG. 6

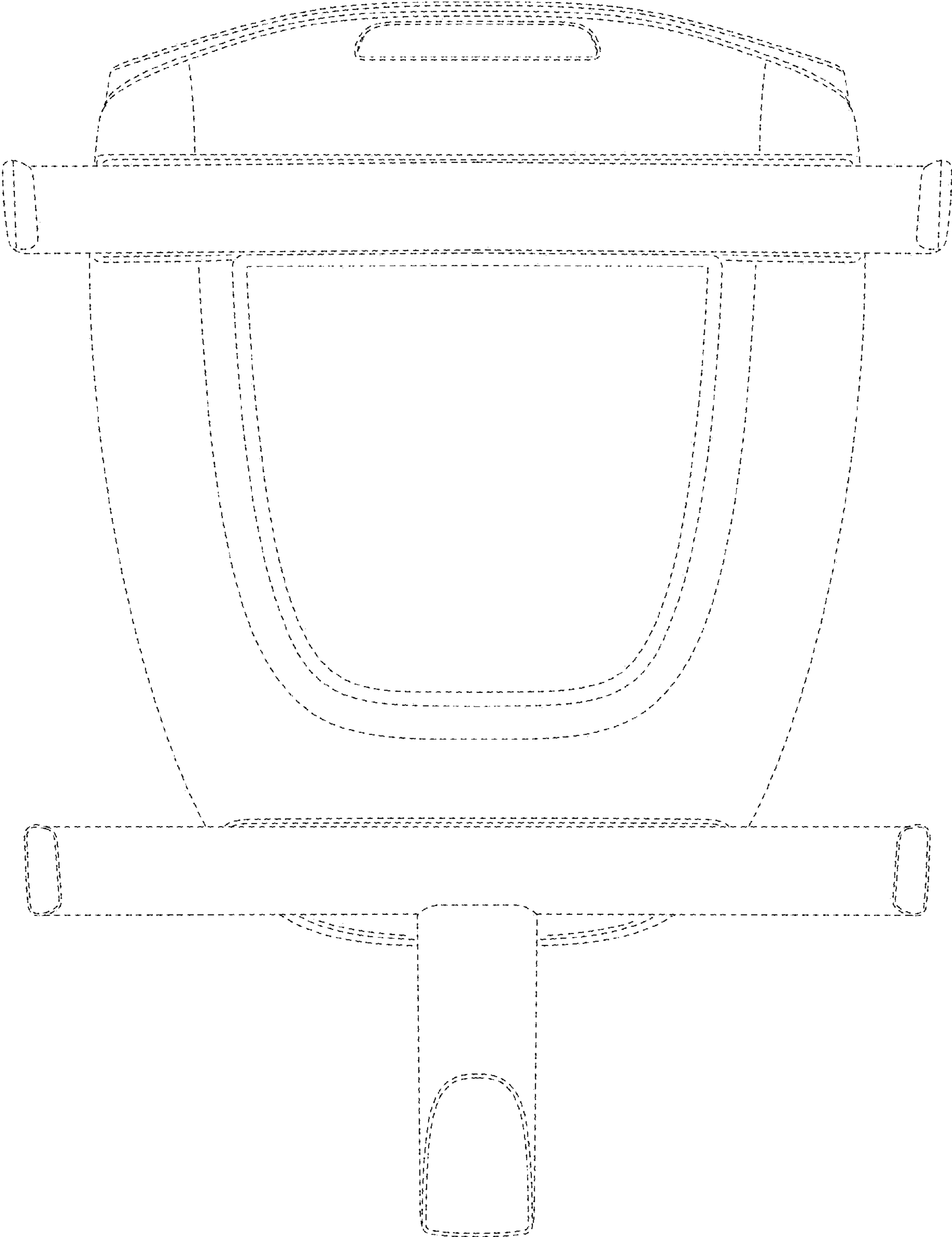


FIG. 7



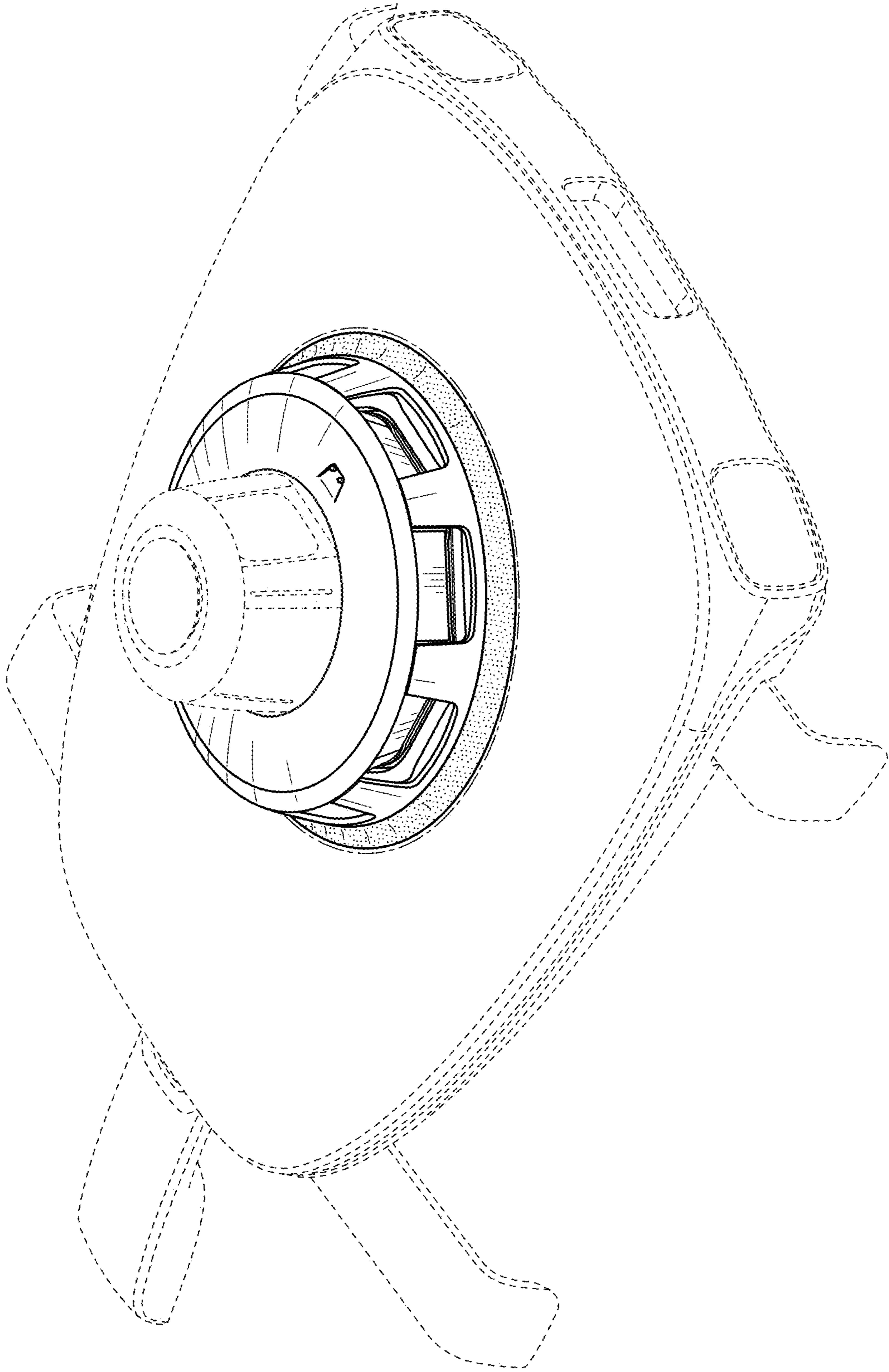


FIG. 8



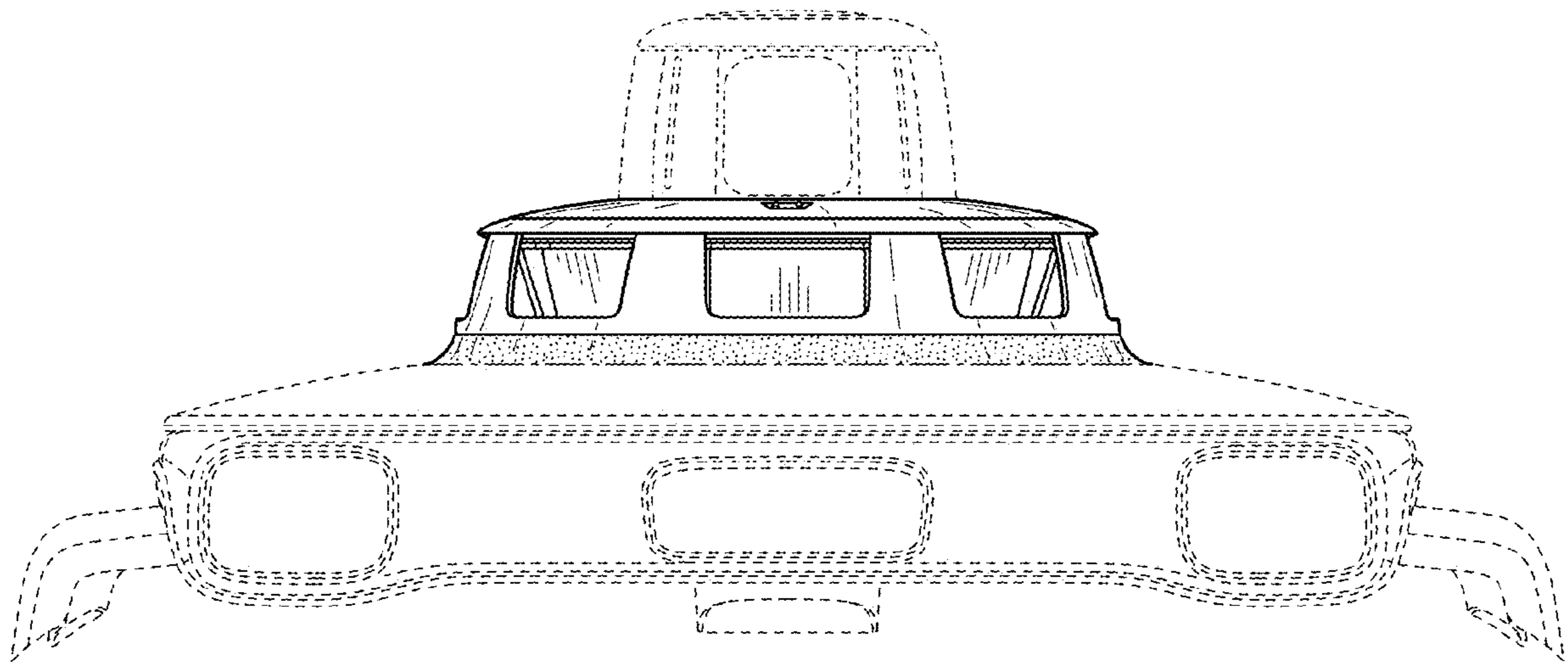


FIG. 9

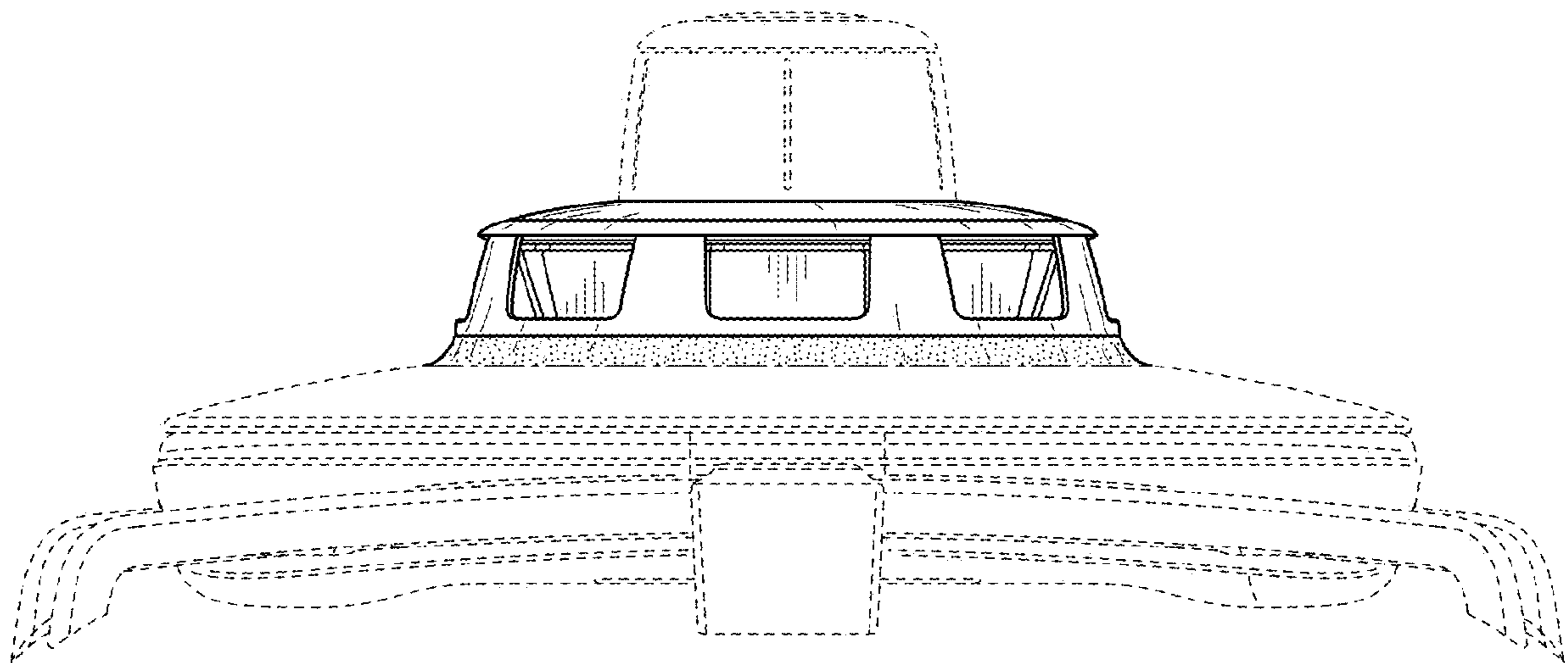


FIG. 10

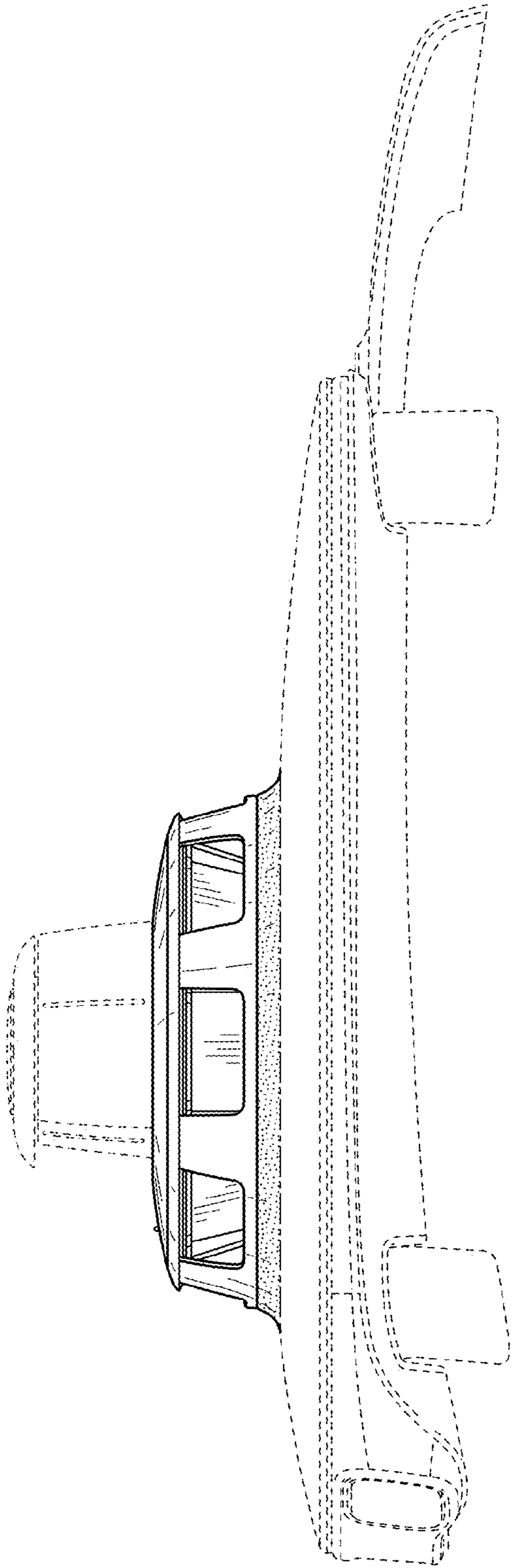


FIG. 11

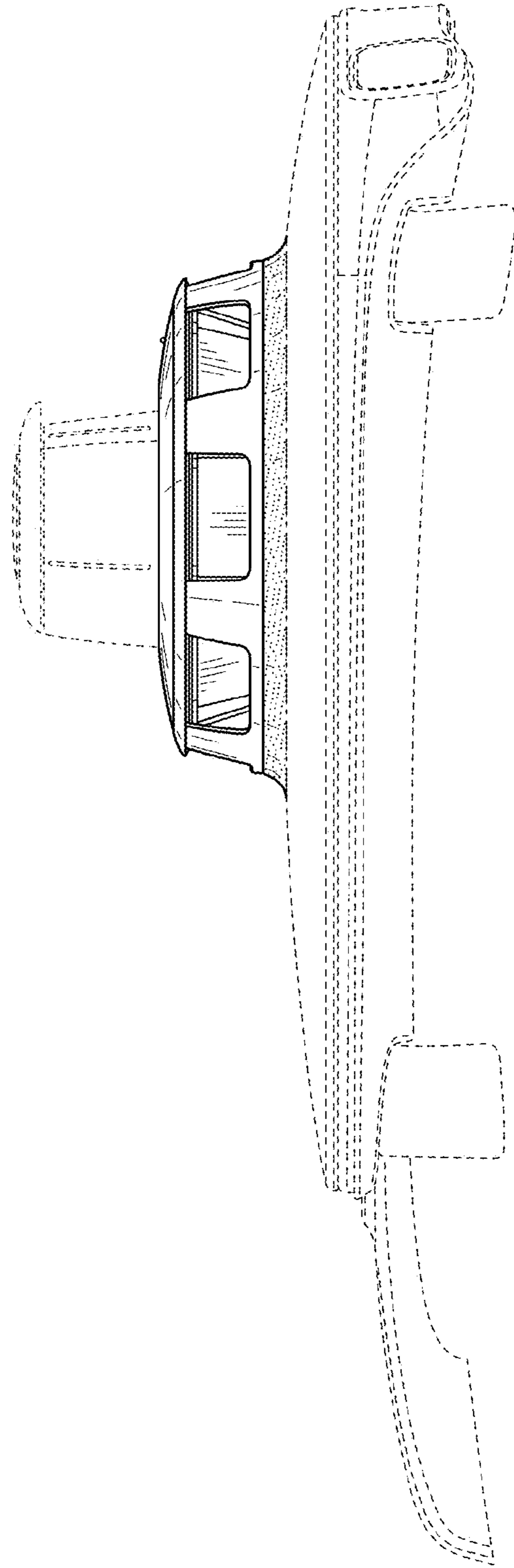


FIG. 12

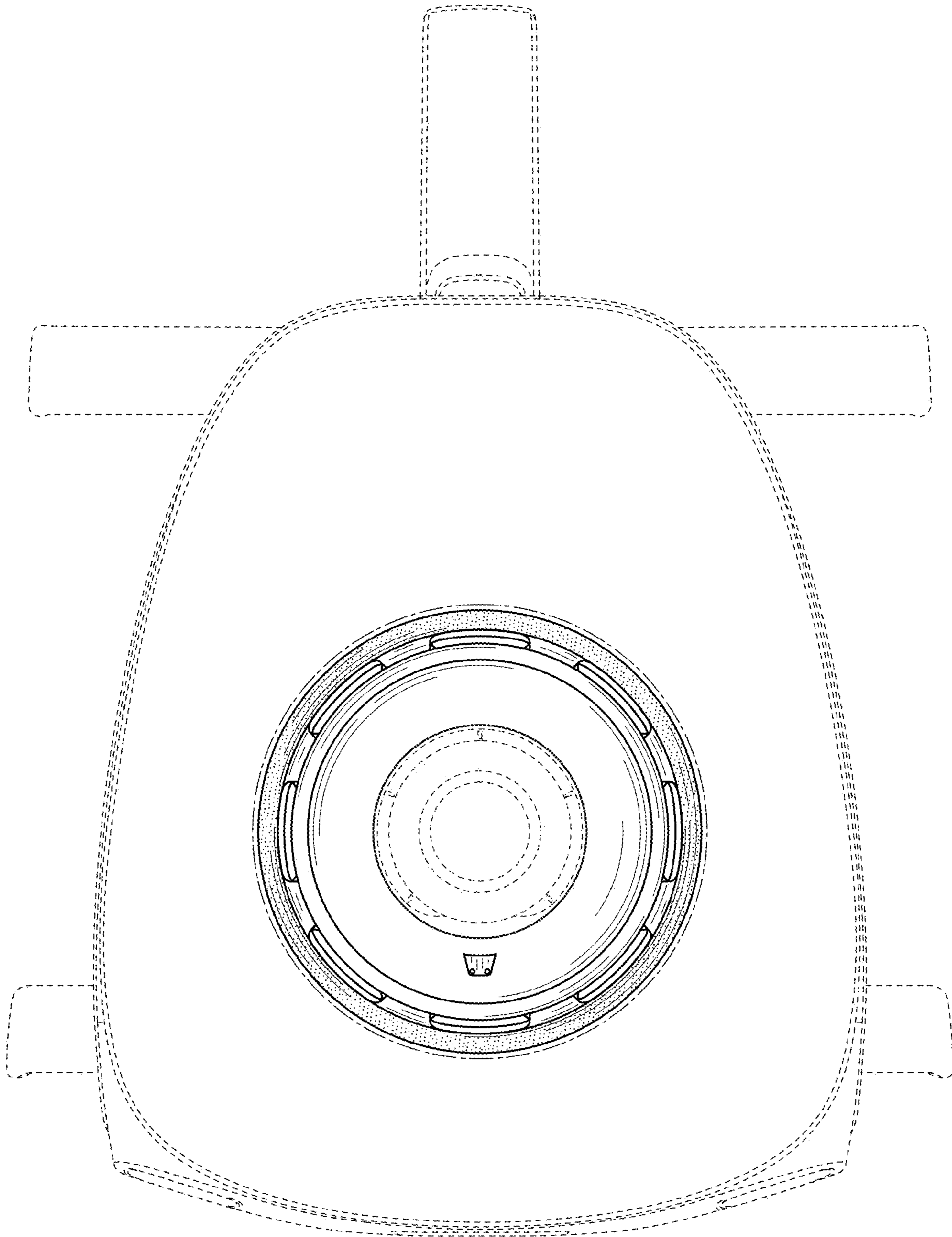


FIG. 13



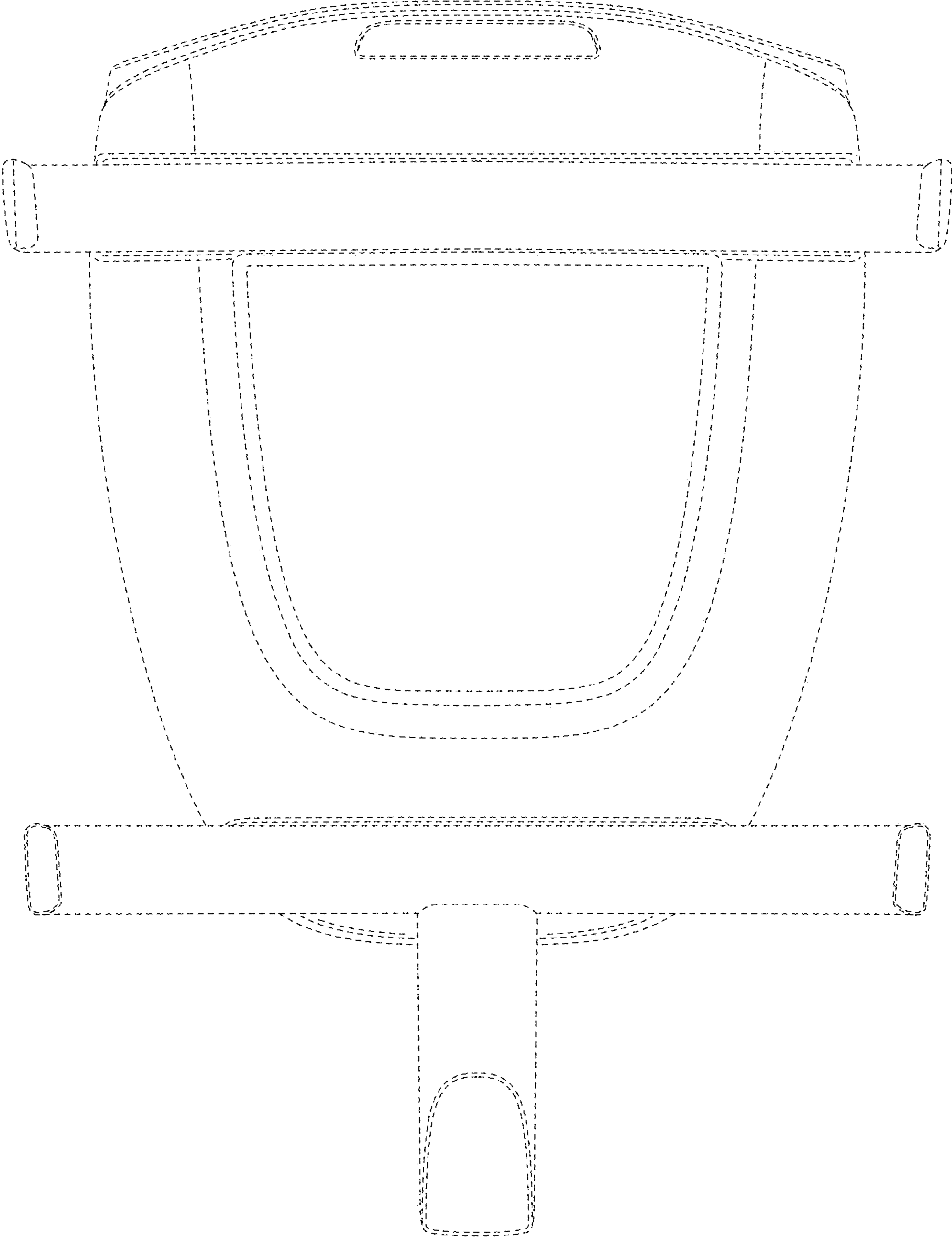


FIG. 14