



US00D957964S

(12) **United States Design Patent** (10) **Patent No.:** **US D957,964 S**  
**Cross** (45) **Date of Patent:** **\*\* Jul. 19, 2022**

(54) **ADJUSTABLE T-SQUARE**

FOREIGN PATENT DOCUMENTS

(71) Applicant: **Woodpeckers, LLC**, Strongsville, OH (US)

CN 202151976 U 3/2011

(72) Inventor: **Steven Charles Cross**, Mentor, OH (US)

OTHER PUBLICATIONS

(73) Assignee: **WOODPECKERS, LLC**, Strongsville, OH (US)

The Ultimate Woodworking Layout Tool, Posi-Lock T-Square, YouTube, publication date Dec. 17, 2019, (online) URL: <https://www.youtube.com/watch?v=2fp3cDQSPME> (Year: 2019).\*

(\*\*) Term: **15 Years**

(Continued)

(21) Appl. No.: **29/741,201**

*Primary Examiner* — George D. Kirschbaum

(22) Filed: **Jul. 10, 2020**

*Assistant Examiner* — Antoinette Martine Suiter

(51) **LOC (13) Cl.** ..... **10-04**

(74) *Attorney, Agent, or Firm* — Sand, Sebolt & Wernow Co., LPA

(52) **U.S. Cl.**

USPC ..... **D10/65**

(58) **Field of Classification Search**

USPC ..... D10/71, 78, 81, 46, 75, 77, 70, 106.2

CPC ..... G01N 33/66; G01N 33/49; G01N 33/493;

G01N 33/558; G01N 37/00; G01N 21/01;

G01N 21/75; A61B 5/14532; A61B

2560/0412; A61B 2560/0443; A61B

2560/0462; Y10T 436/255; G08B 17/10;

G08B 21/12; G08B 21/14; G08B 29/18;

G08B 17/113; G08B 3/10; G08B 25/10;

G08B 29/16; B01L 3/5027; B01L

3/50273; B01L 3/502738; B01L

2300/0609; B01L 2300/0672; B01L

2300/0829; B01L 2200/025; B01L

2200/026; B01L 2200/028; B01L 2200/16

See application file for complete search history.

(57) **CLAIM**

The ornamental design for an adjustable T-square, as shown and described.

**DESCRIPTION**

FIG. 1 is a front, top, left isometric perspective view of an adjustable T-square in accordance with our design;

FIG. 2 is a front elevation view thereof;

FIG. 3 is a rear elevation view thereof;

FIG. 4 is a right side elevation view thereof;

FIG. 5 is a left side elevation view thereof;

FIG. 6 is a top plan view thereof; and,

FIG. 7 is a bottom plan view thereof.

The broken lines illustrate portions of the environment or adjustable T-square which form no part of the claimed design.

The claimed design is shown with a symbolic break in its length. The appearance of any portion of the article between the break lines forms no part of the claimed design.

(56) **References Cited**

U.S. PATENT DOCUMENTS

1,023,242 A \* 4/1912 Childs ..... B43L 7/02

33/468

1,458,152 A \* 6/1923 Schenck ..... B43L 7/02

D10/65

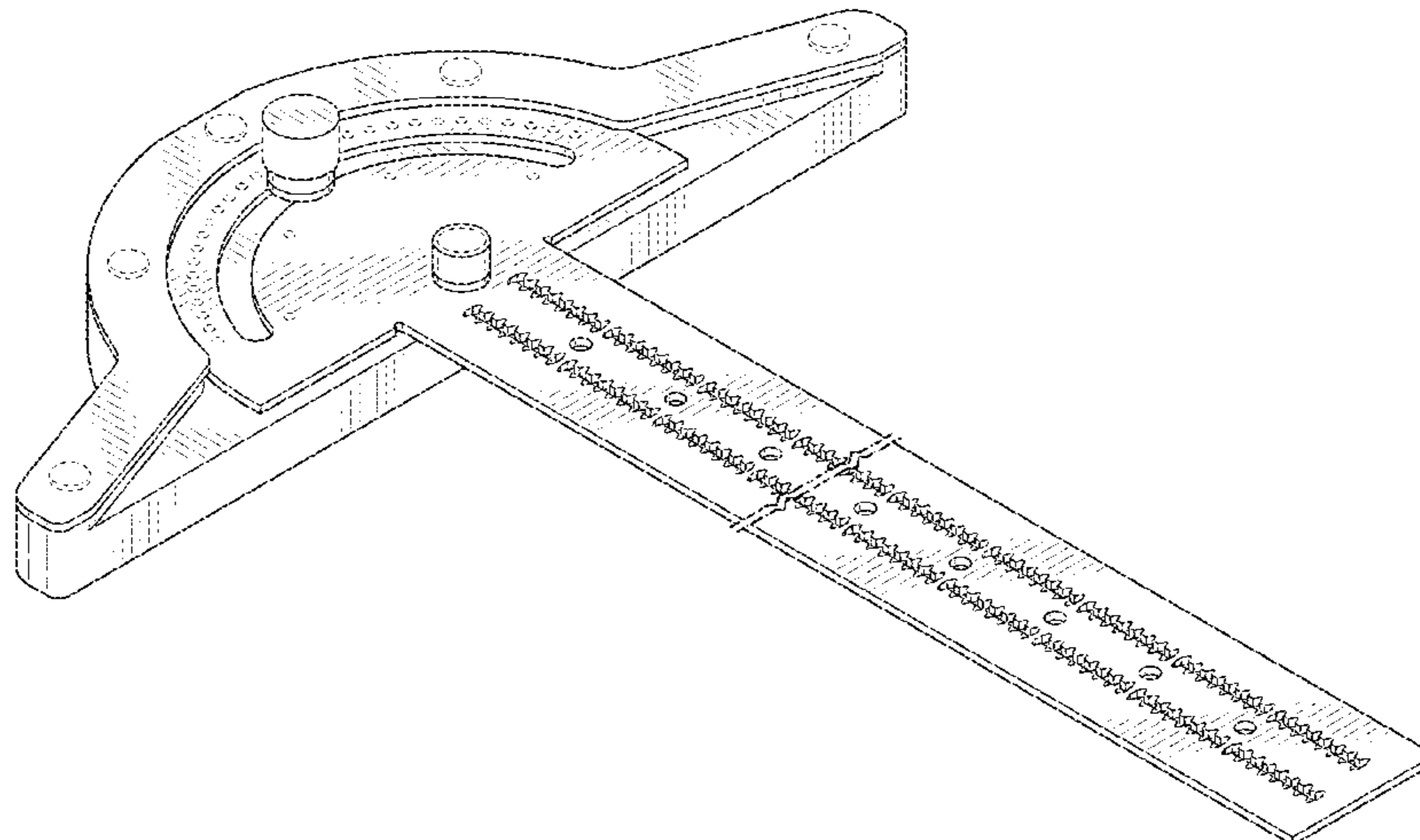
D89,818 S \* 5/1933 Tautz ..... D10/65

2,423,786 A \* 7/1947 Morris ..... B43L 7/02

33/468

(Continued)

**1 Claim, 4 Drawing Sheets**



(56)

References Cited

U.S. PATENT DOCUMENTS

2,435,529 A \* 2/1948 Brockley ..... B43L 7/02  
33/468  
2,588,079 A \* 3/1952 Boehm ..... B43L 7/02  
D10/65  
4,169,386 A \* 10/1979 McMahan ..... G01L 7/00  
73/700  
D265,725 S \* 8/1982 Ingram ..... D10/65  
4,463,632 A 8/1984 Parke  
D314,712 S \* 2/1991 Kunz ..... D10/65  
5,097,601 A \* 3/1992 Pollak ..... B23Q 1/262  
83/435.14  
5,205,045 A \* 4/1993 Liu ..... B23Q 9/005  
33/468  
5,471,753 A \* 12/1995 Rodrigues ..... B26B 29/06  
33/485  
D400,452 S \* 11/1998 Schoene ..... D10/65  
D400,453 S \* 11/1998 Holland ..... D10/65  
5,845,410 A \* 12/1998 Boker ..... B27B 25/10  
33/469  
5,915,806 A \* 6/1999 Levee ..... B43L 13/02  
33/468  
6,049,990 A 4/2000 Holland  
7,409,773 B1 8/2008 Gioia et al.

8,782,914 B1 7/2014 Deluca  
D764,322 S \* 8/2016 Zhang ..... D10/65  
D870,574 S \* 12/2019 O'Halloran ..... D10/65  
D927,332 S \* 8/2021 Geiger ..... D10/65  
2007/0074413 A1 4/2007 Neuroth  
2013/0025142 A1 1/2013 Holt  
2015/0047214 A1\* 2/2015 Chernyshou ..... G01B 3/04  
33/479  
2015/0168122 A1\* 6/2015 Cruickshanks ..... E04D 15/00  
33/425  
2017/0320354 A1 11/2017 Brown  
2019/0225009 A1\* 7/2019 Hummel ..... B43L 7/02  
2021/0325161 A1\* 10/2021 Turley ..... G01B 3/566  
2021/0325163 A1\* 10/2021 Turley ..... G01B 3/04  
2022/0011084 A1\* 1/2022 Cross ..... G01B 3/56

OTHER PUBLICATIONS

Musibo Adjustable Protractor Angle Finder, Woodworkers Edge Ruler, Multi-Function Angle Measure Tool Woodworking Ruler Kit, Amazon, publication date Jun. 29, 2021, (online) URL: [https://www.amazon.com/Adjustable-Protractor-Woodworkers-Multi-Function-Woodworking/dp/B0987JMZDX/ref=sr\\_1\\_1? \(Year: 2021\).\\*](https://www.amazon.com/Adjustable-Protractor-Woodworkers-Multi-Function-Woodworking/dp/B0987JMZDX/ref=sr_1_1? (Year: 2021).*)

\* cited by examiner

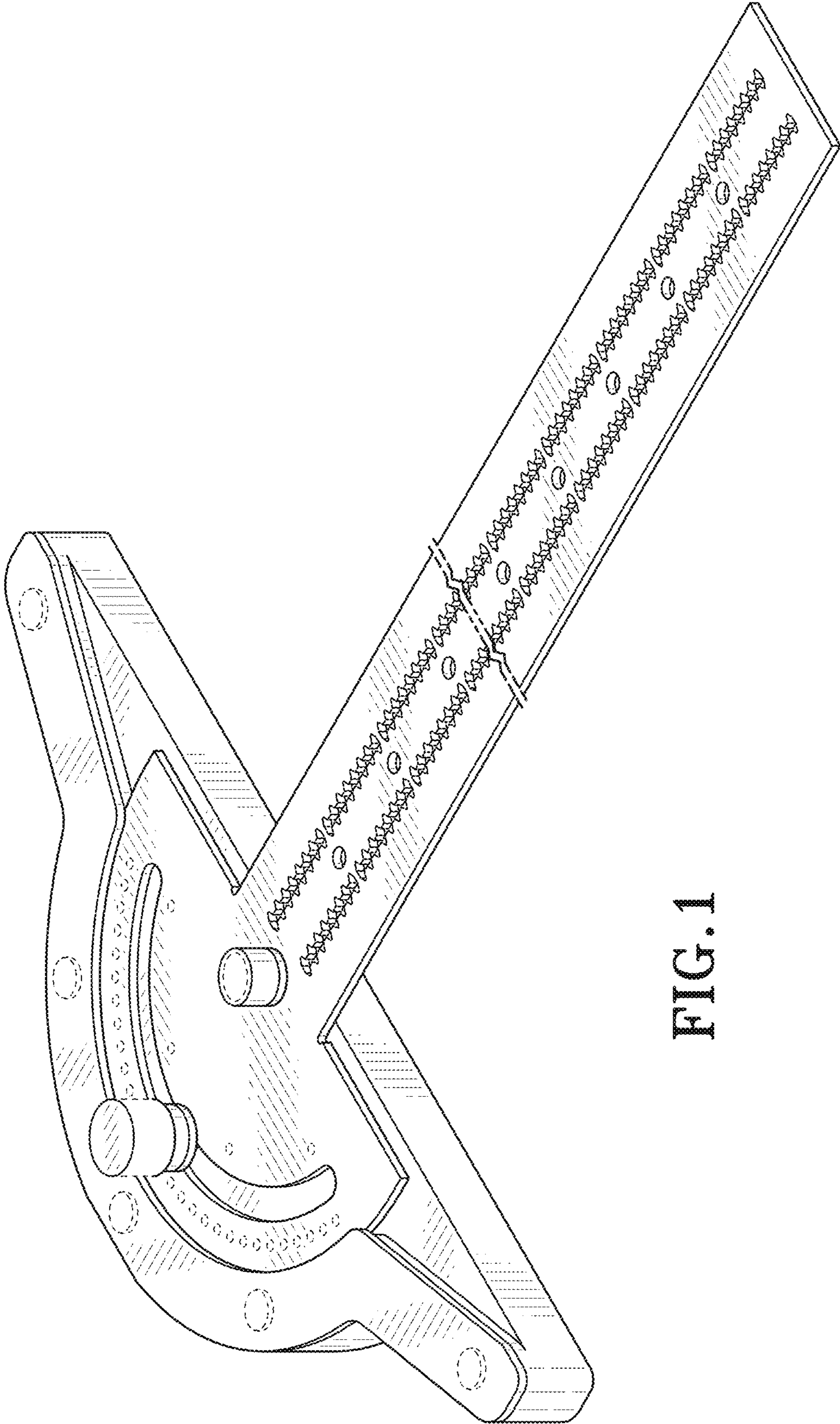


FIG. 1

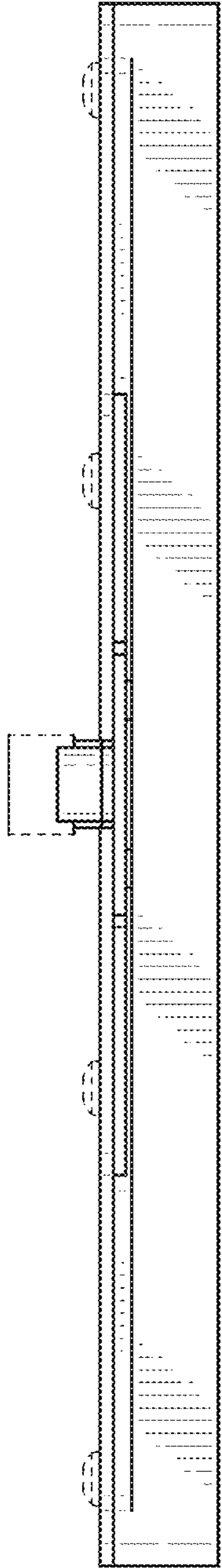


FIG. 2

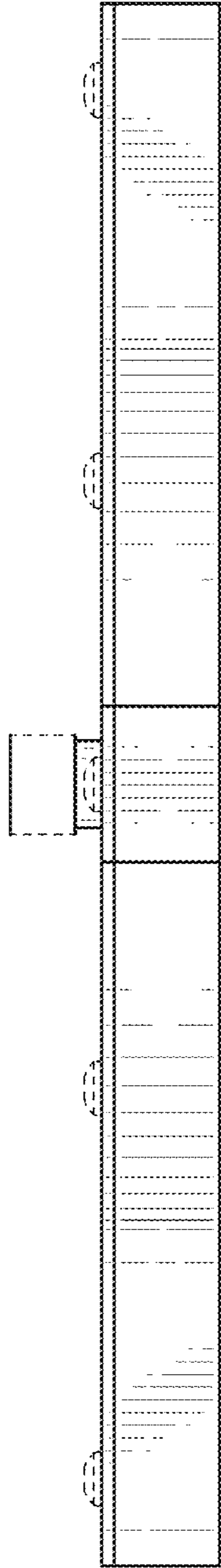


FIG. 3

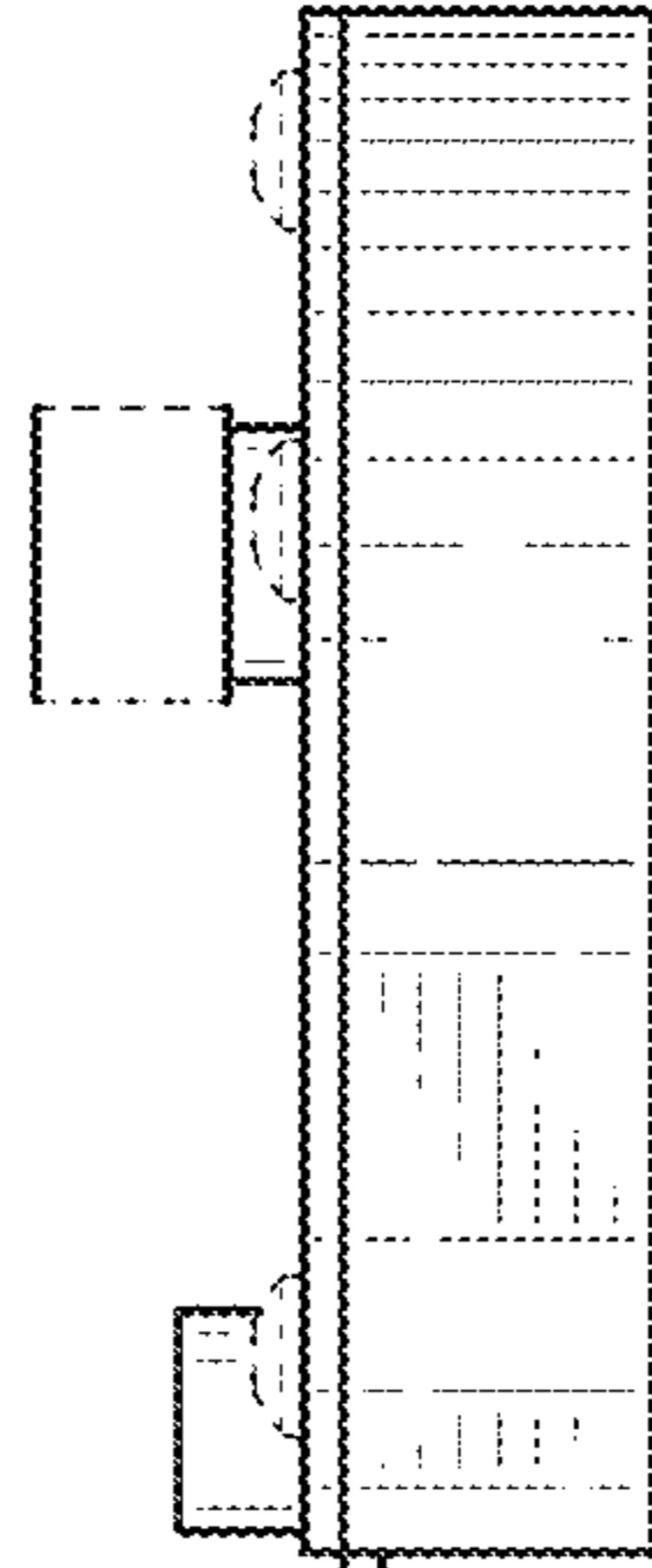


FIG. 4

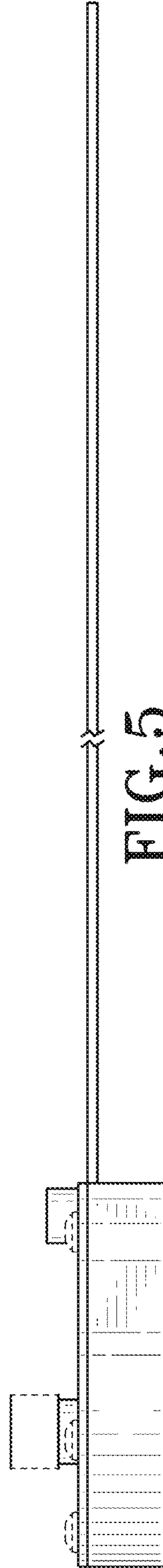


FIG. 5

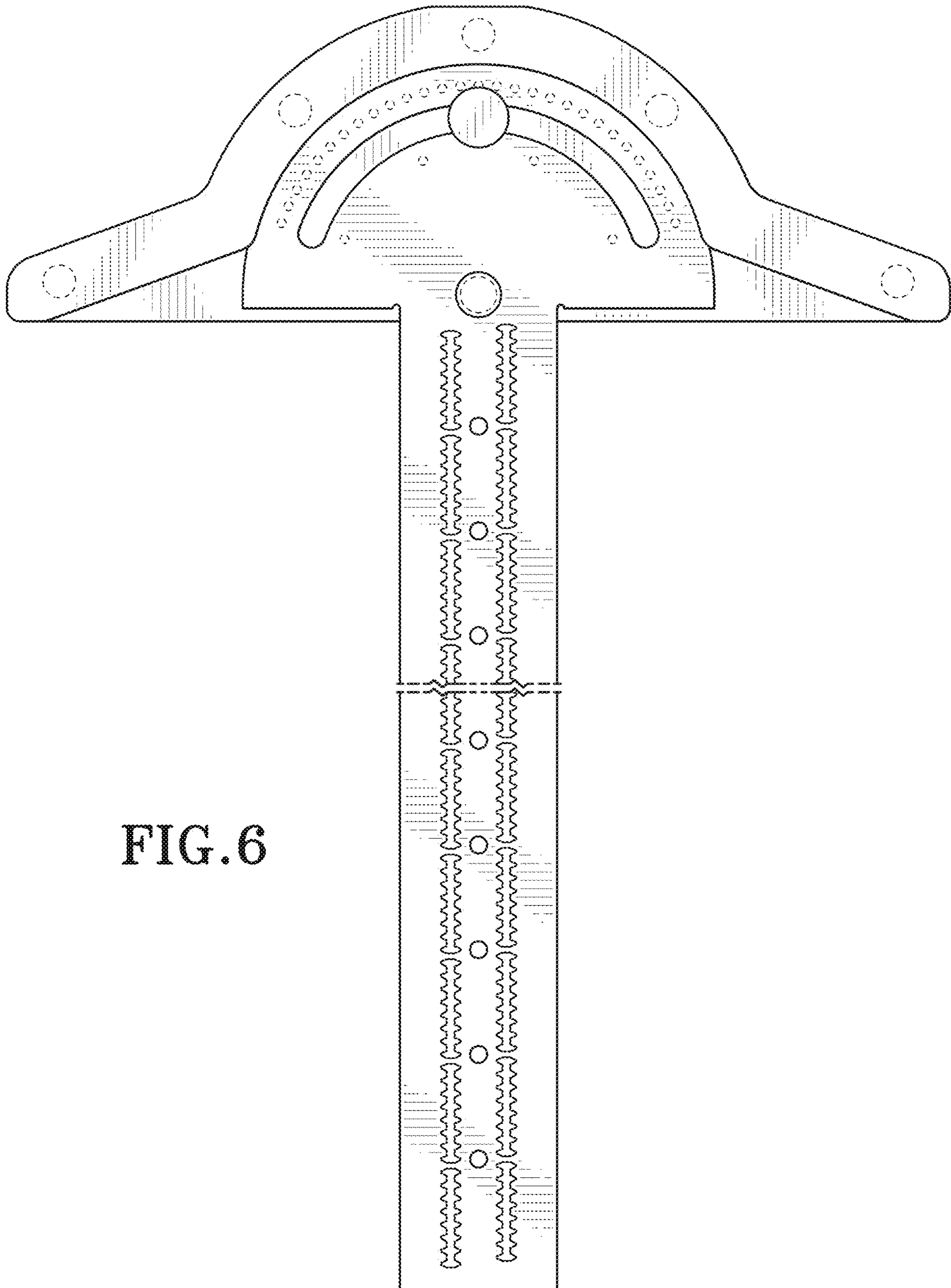


FIG. 6

FIG. 7

