



US00D957961S

(12) **United States Design Patent**  
**Nemoto et al.**

(10) **Patent No.:** **US D957,961 S**  
(45) **Date of Patent:** **\*\* Jul. 19, 2022**

(54) **OPTICAL MEASUREMENT HEAD FOR COORDINATE MEASUREMENT**

(71) Applicant: **MITUTOYO CORPORATION**,  
Kanagawa (JP)

(72) Inventors: **Kentaro Nemoto**, Mito (JP); **Yoshihiko Sugita**, Kawasaki (JP); **Jun Odake**, Tokyo (JP); **Aoi Shimizu**, Sagamihara (JP)

(73) Assignee: **MITUTOYO CORPORATION**,  
Kawasaki (JP)

(\*\*) Term: **15 Years**

(21) Appl. No.: **29/769,336**

(22) Filed: **Feb. 4, 2021**

(30) **Foreign Application Priority Data**

Aug. 4, 2020 (JP) ..... 2020-016311 D

(51) **LOC (13) Cl.** ..... **10-04**

(52) **U.S. Cl.**  
USPC ..... **D10/62; D10/63**

(58) **Field of Classification Search**  
USPC ..... D10/62, 63  
CPC .. G01B 21/047; G01B 21/042; G01B 21/145;  
G01B 5/012; G01B 5/016; G01B 5/008;  
G01B 11/03; G01B 11/005; G01B 5/004;  
G05B 19/00; G05B 19/407; G05B  
2219/36452; G05B 2219/36479; G05B  
2219/37193; G05B 2219/3744  
See application file for complete search history.

(56) **References Cited**

**U.S. PATENT DOCUMENTS**

5,119,568 A \* 6/1992 Vesco ..... B23Q 1/36  
33/561  
6,938,353 B2 \* 9/2005 Rouge ..... G01B 5/012  
33/561

8,347,697 B2 \* 1/2013 Sakata ..... G01B 21/042  
73/105  
D709,777 S \* 7/2014 Matsumiya ..... B23Q 1/36  
D10/74  
9,429,416 B2 \* 8/2016 Kocic ..... G01B 21/04  
9,689,663 B2 \* 6/2017 Nagataki ..... G01B 21/047  
D805,409 S \* 12/2017 Matsumiya ..... G01B 11/245  
D10/62  
10,444,002 B2 \* 10/2019 Tregret ..... G01B 11/007  
11,105,603 B2 \* 8/2021 Martelli ..... G01B 7/001  
2015/0345933 A1 \* 12/2015 Nagataki ..... G01B 11/245  
33/503

**OTHER PUBLICATIONS**

Nov. 10, 2020 Decision to Grant issued in Japanese Patent Application No. 2020-016311.

\* cited by examiner

*Primary Examiner* — Antoine Duval Davis

(74) *Attorney, Agent, or Firm* — Oliff PLC

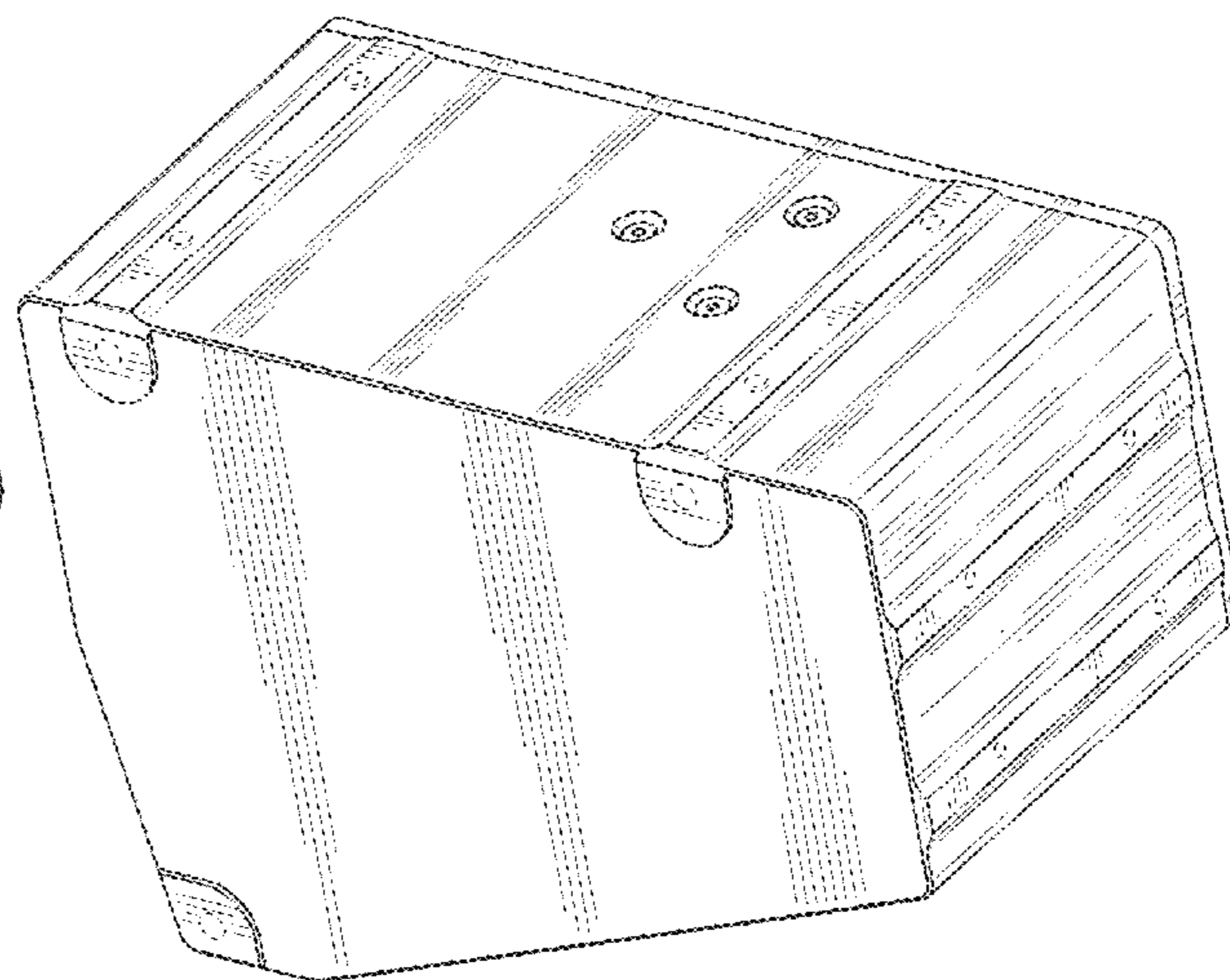
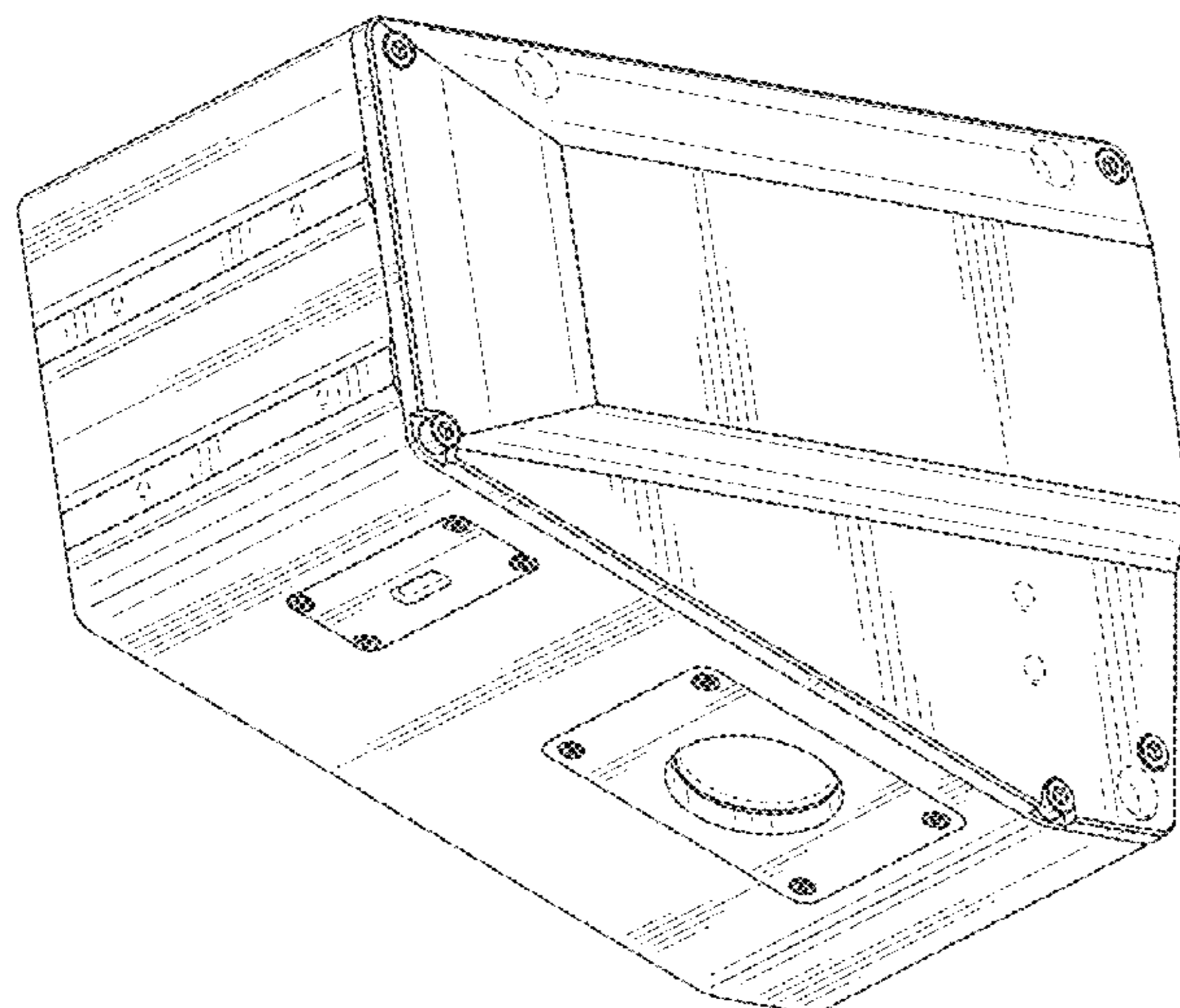
(57) **CLAIM**

The ornamental design for an optical measurement head for coordinate measurement, as shown and described.

**DESCRIPTION**

FIG. 1 is a front, left-side, bottom perspective view of the optical measurement head for coordinate measurement, showing the new design;  
FIG. 2 is a front elevational view thereof;  
FIG. 3 is a rear elevational view thereof;  
FIG. 4 is a right-side elevational view thereof;  
FIG. 5 is a left-side elevational view thereof;  
FIG. 6 is a top plan view thereof;  
FIG. 7 is a bottom plan view thereof; and,  
FIG. 8 is a rear, left-side, top perspective view thereof.  
The broken lines depict parts of the optical measurement head for coordinate measurement that form no part of the claimed design.

**1 Claim, 8 Drawing Sheets**



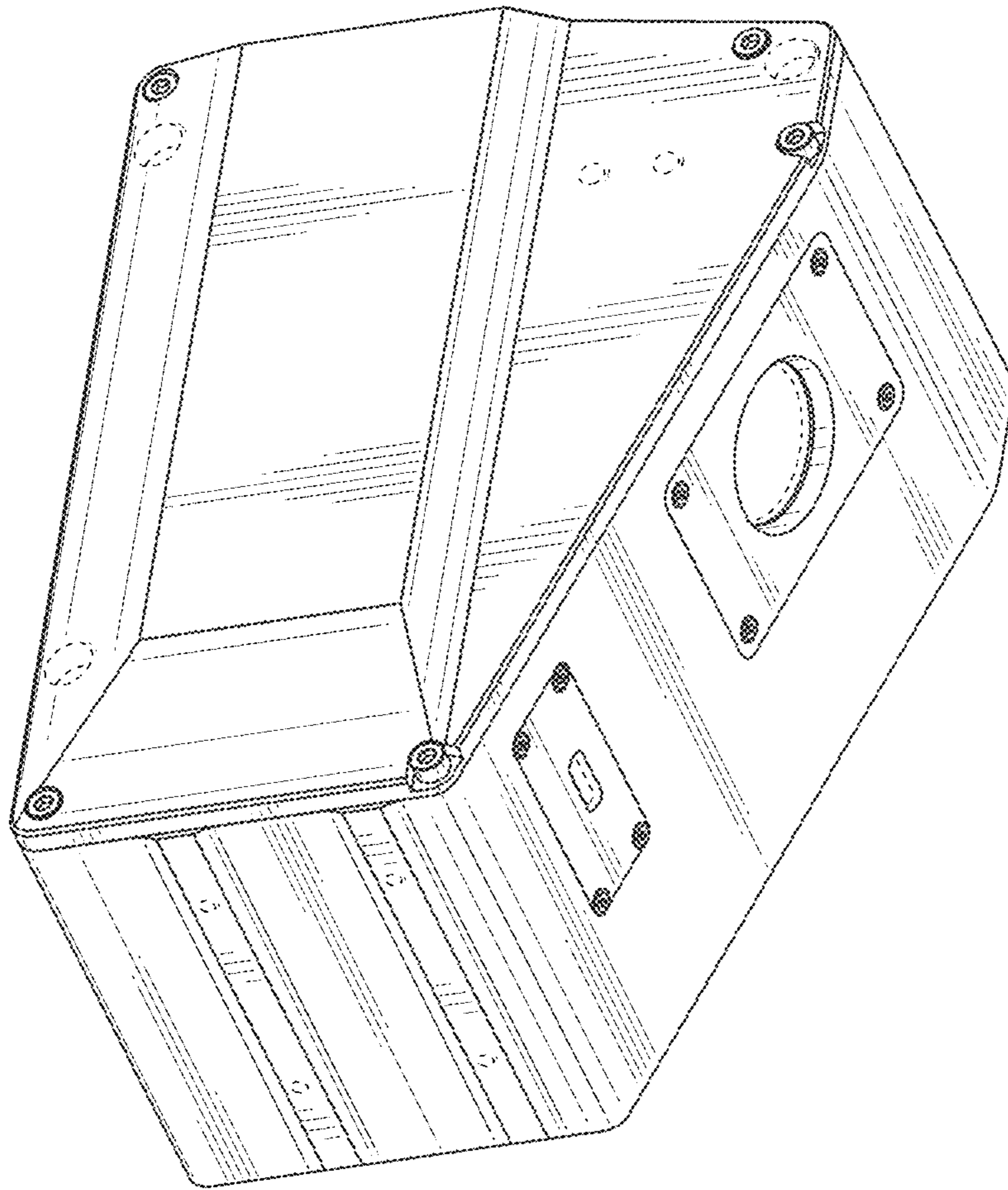


FIG. 1

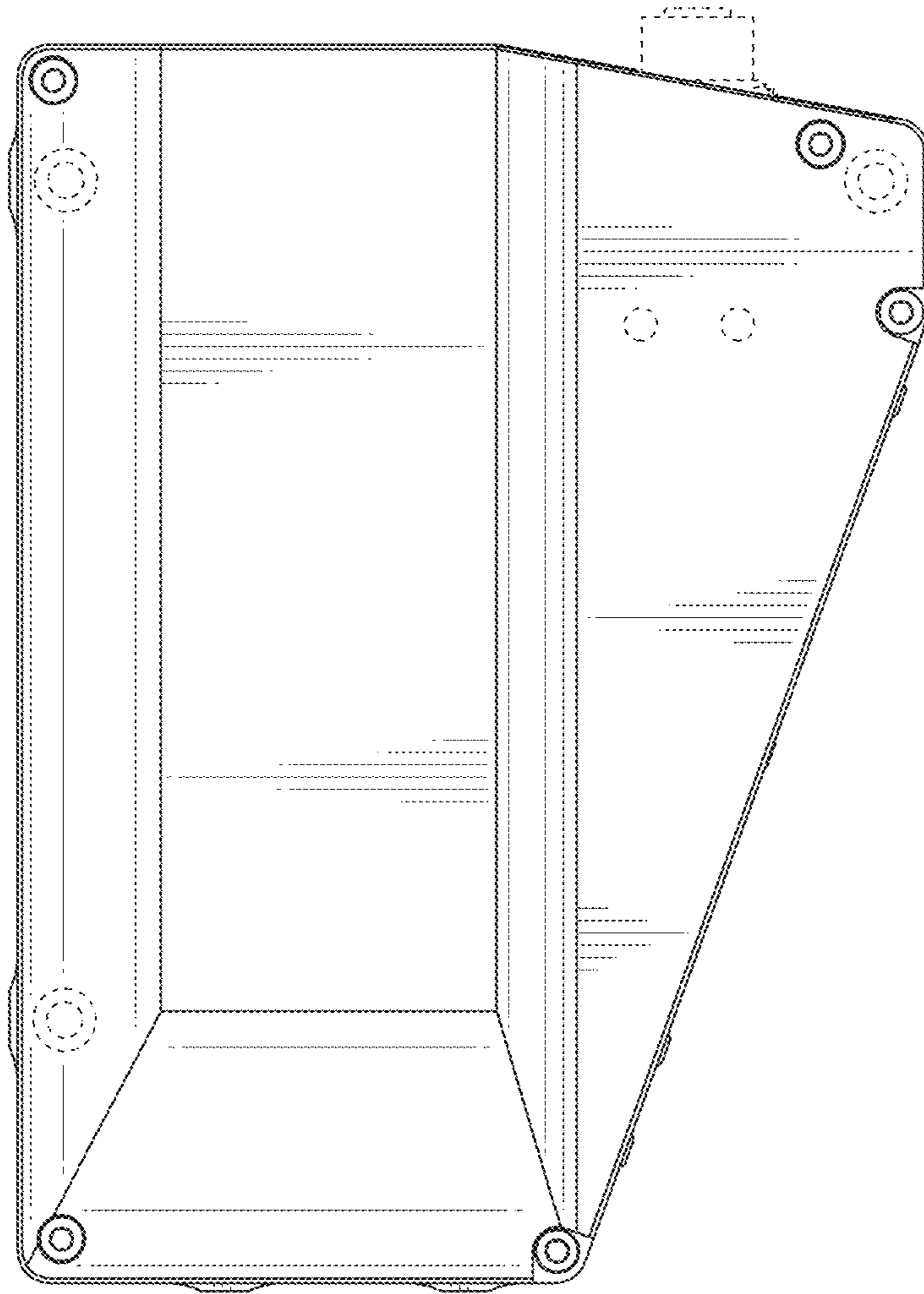


FIG. 2

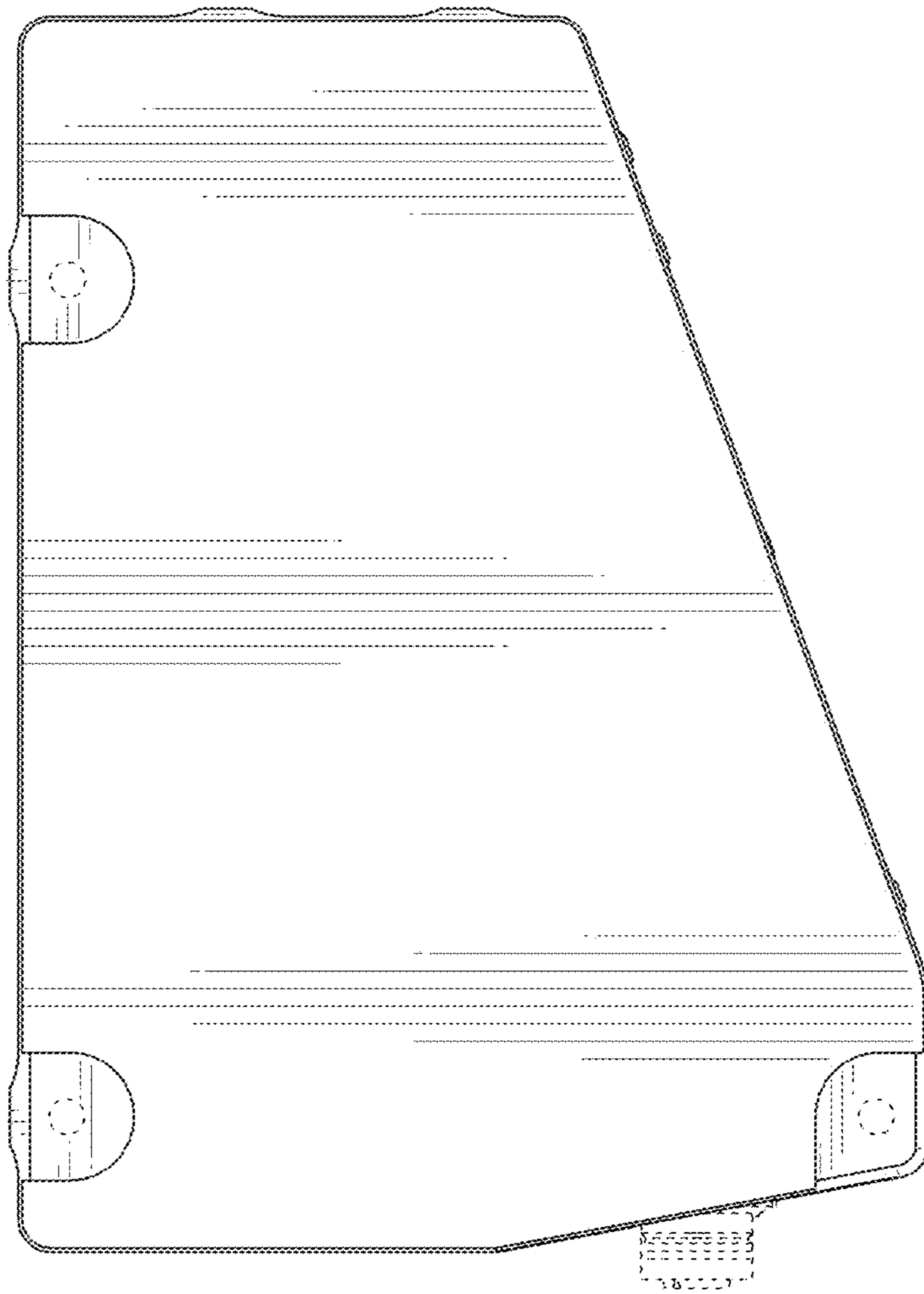


FIG. 3

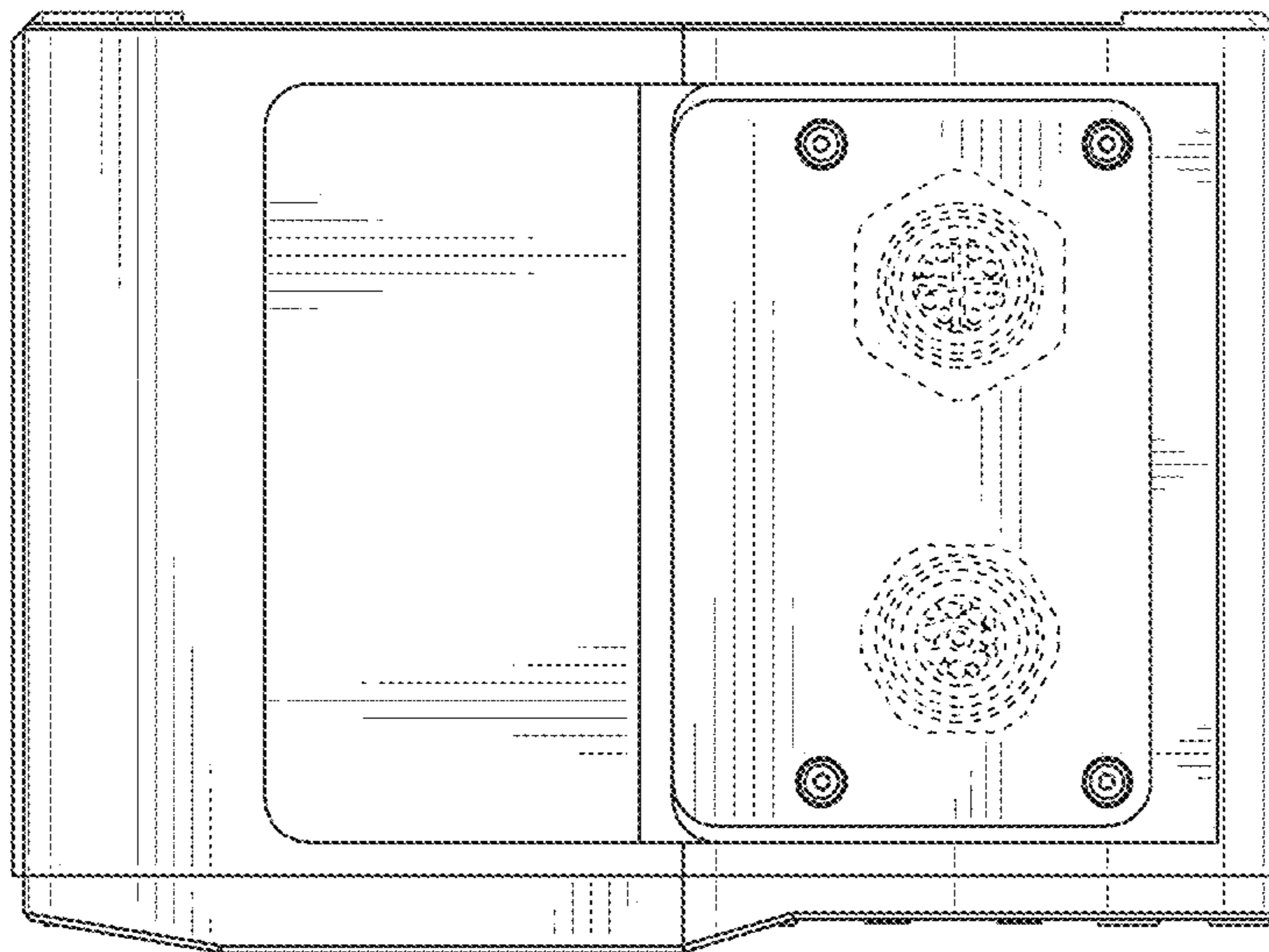


FIG. 4

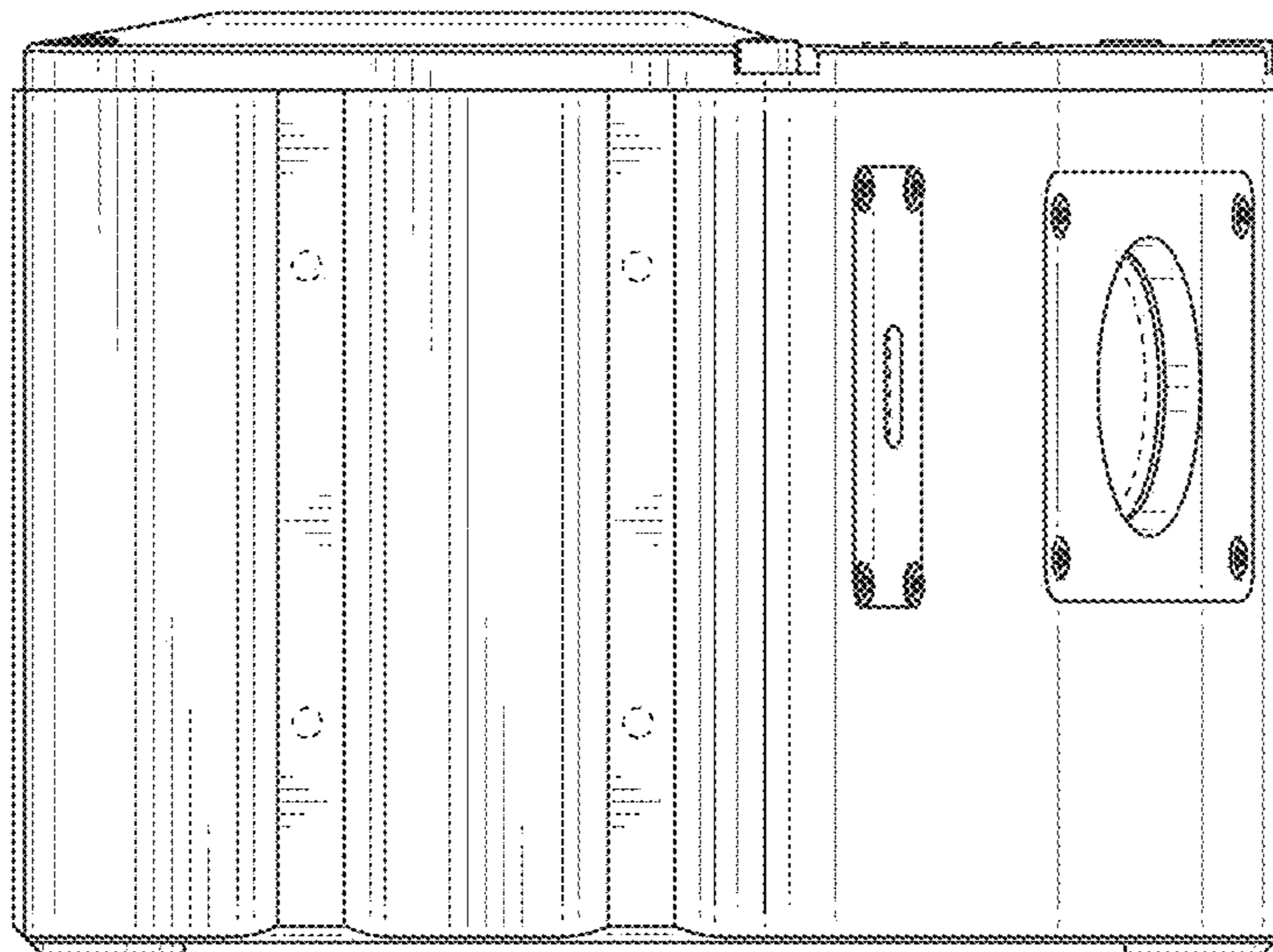


FIG. 5

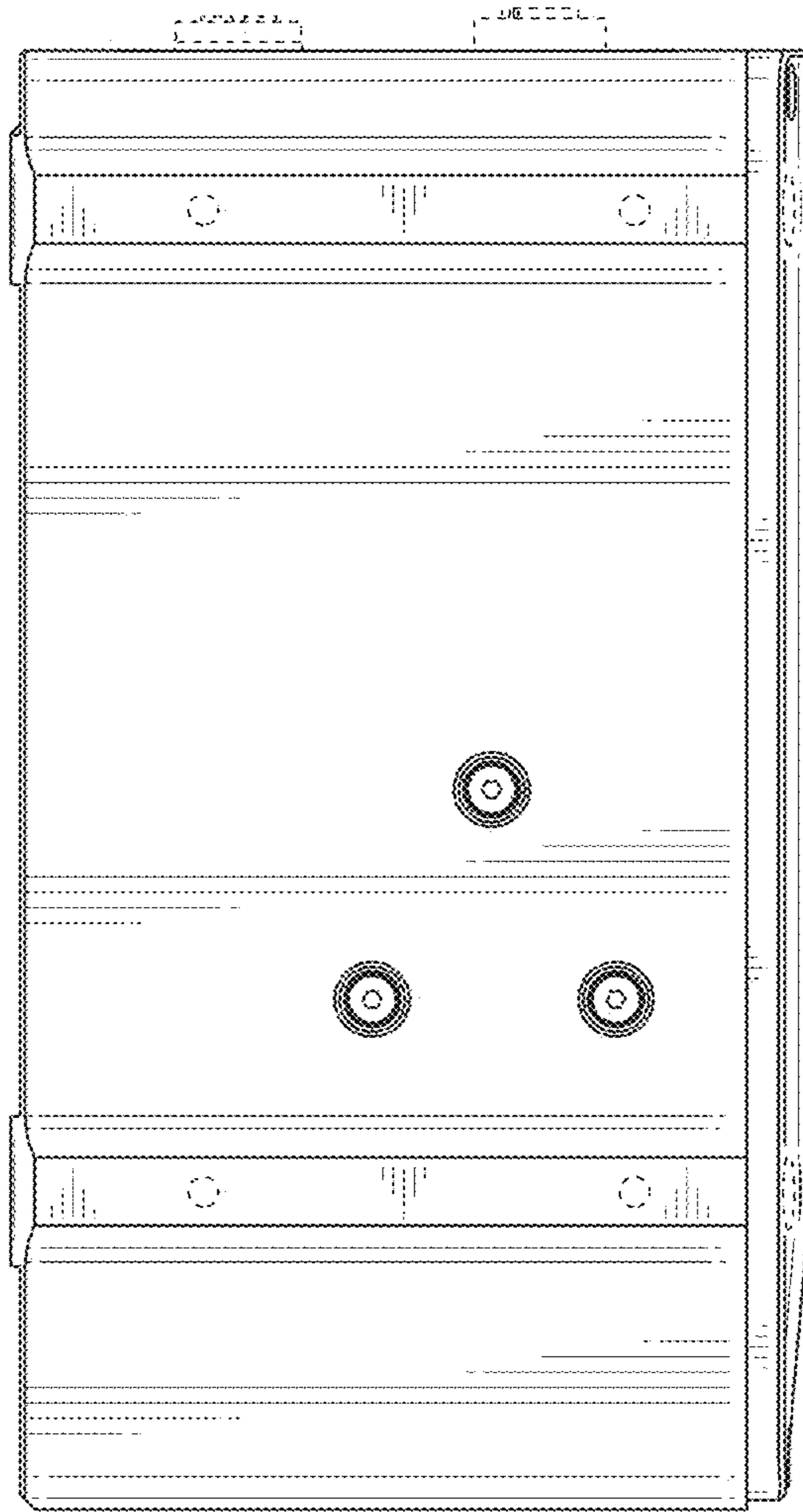


FIG. 6

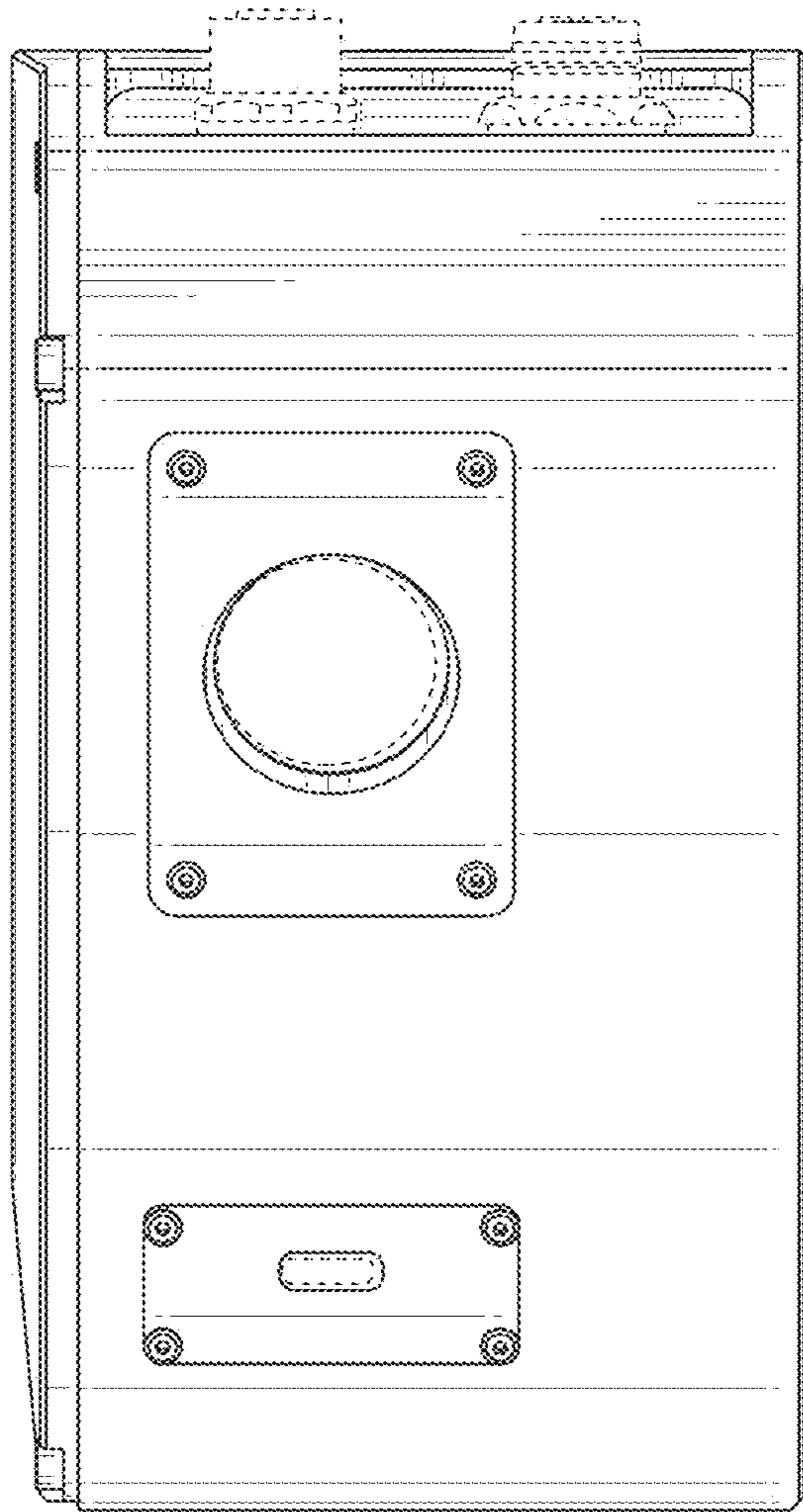


FIG. 7



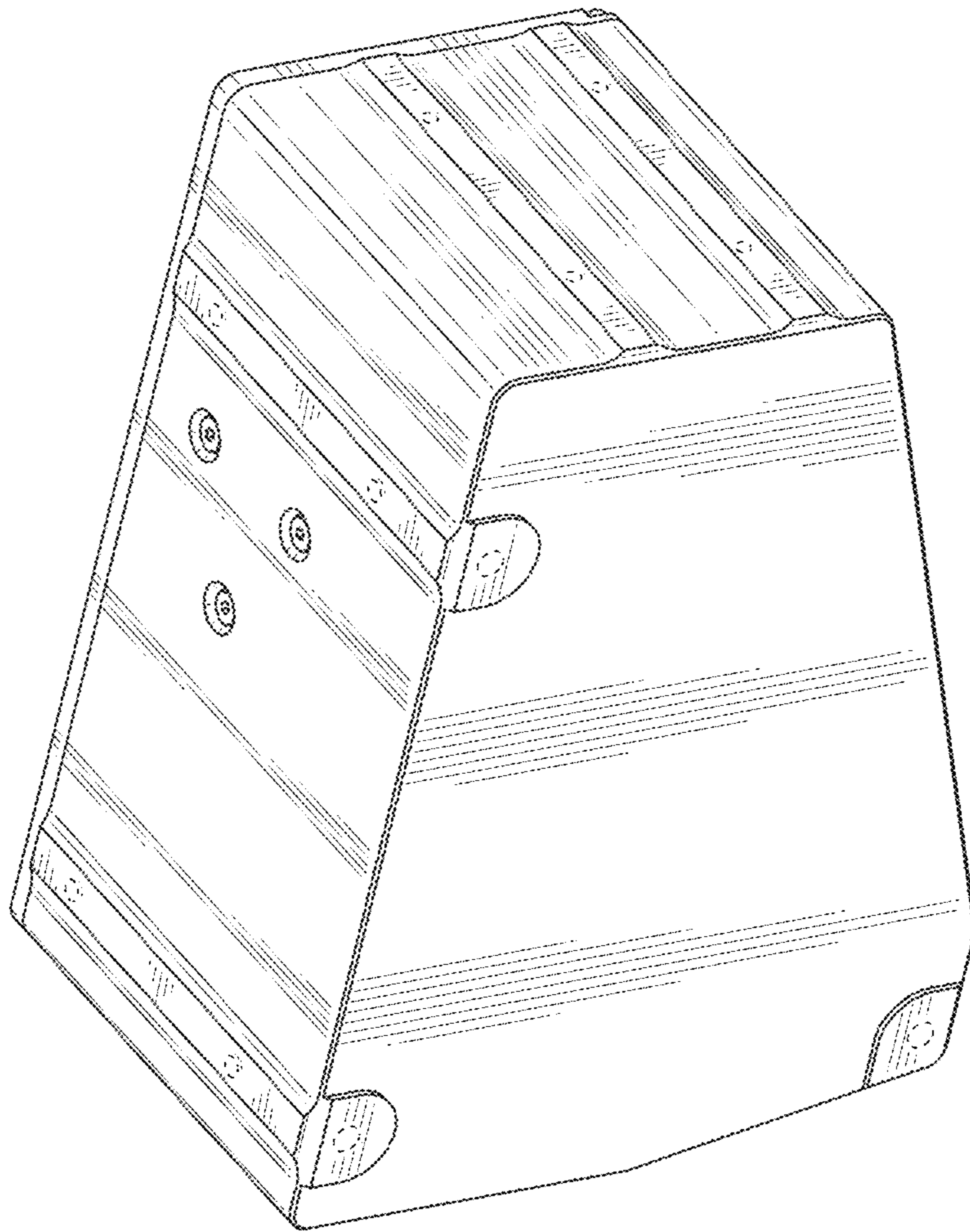


FIG. 8