



US00D957960S

(12) **United States Design Patent**
Nemoto et al.

(10) **Patent No.:** **US D957,960 S**
(45) **Date of Patent:** **** Jul. 19, 2022**

(54) **OPTICAL MEASUREMENT HEAD FOR COORDINATE MEASUREMENT**

(71) Applicant: **MITUTOYO CORPORATION**,
Kanagawa (JP)

(72) Inventors: **Kentaro Nemoto**, Mito (JP); **Yoshihiko Sugita**, Kawasaki (JP); **Yu Sugai**, Hadano (JP); **Jun Odake**, Tokyo (JP)

(73) Assignee: **MITUTOYO CORPORATION**,
Kawasaki (JP)

(**) Term: **15 Years**

(21) Appl. No.: **29/751,499**

(22) Filed: **Sep. 22, 2020**

(30) **Foreign Application Priority Data**

Mar. 27, 2020 (JP) 2020-005941 D

(51) **LOC (13) Cl.** **10-04**

(52) **U.S. Cl.**
USPC **D10/62; D10/63**

(58) **Field of Classification Search**
USPC D10/62, 63
CPC .. G01B 21/047; G01B 21/042; G01B 21/145;
G01B 5/012; G01B 5/016; G01B 5/008;
G01B 11/03; G01B 11/005; G01B 5/004;
G05B 19/00; G05B 19/407; G05B
2219/36452; G05B 2219/36479; G05B
2219/37193; G05B 2219/3744
See application file for complete search history.

(56) **References Cited**

U.S. PATENT DOCUMENTS

5,119,568 A * 6/1992 Vesco B23Q 1/36
33/561
6,938,353 B2 * 9/2005 Rouge G01B 5/012
33/561

8,347,697 B2 * 1/2013 Sakata G01B 21/042
73/105
D709,777 S * 7/2014 Matsumiya B23Q 1/36
D10/74
9,429,416 B2 * 8/2016 Kocic G01B 21/04
9,689,663 B2 * 6/2017 Nagataki G01B 21/047
D805,409 S * 12/2017 Matsumiya G01B 11/245
D10/62
10,444,002 B2 * 10/2019 Tregret G01B 11/007
(Continued)

FOREIGN PATENT DOCUMENTS

JP 1413410 S 5/2011
JP 1552486 S 6/2016

OTHER PUBLICATIONS

Nov. 10, 2020 Decision to Grant issued in Japanese Patent Application No. 2020-005941.

Primary Examiner — Antoine Duval Davis

(74) *Attorney, Agent, or Firm* — Oliff PLC

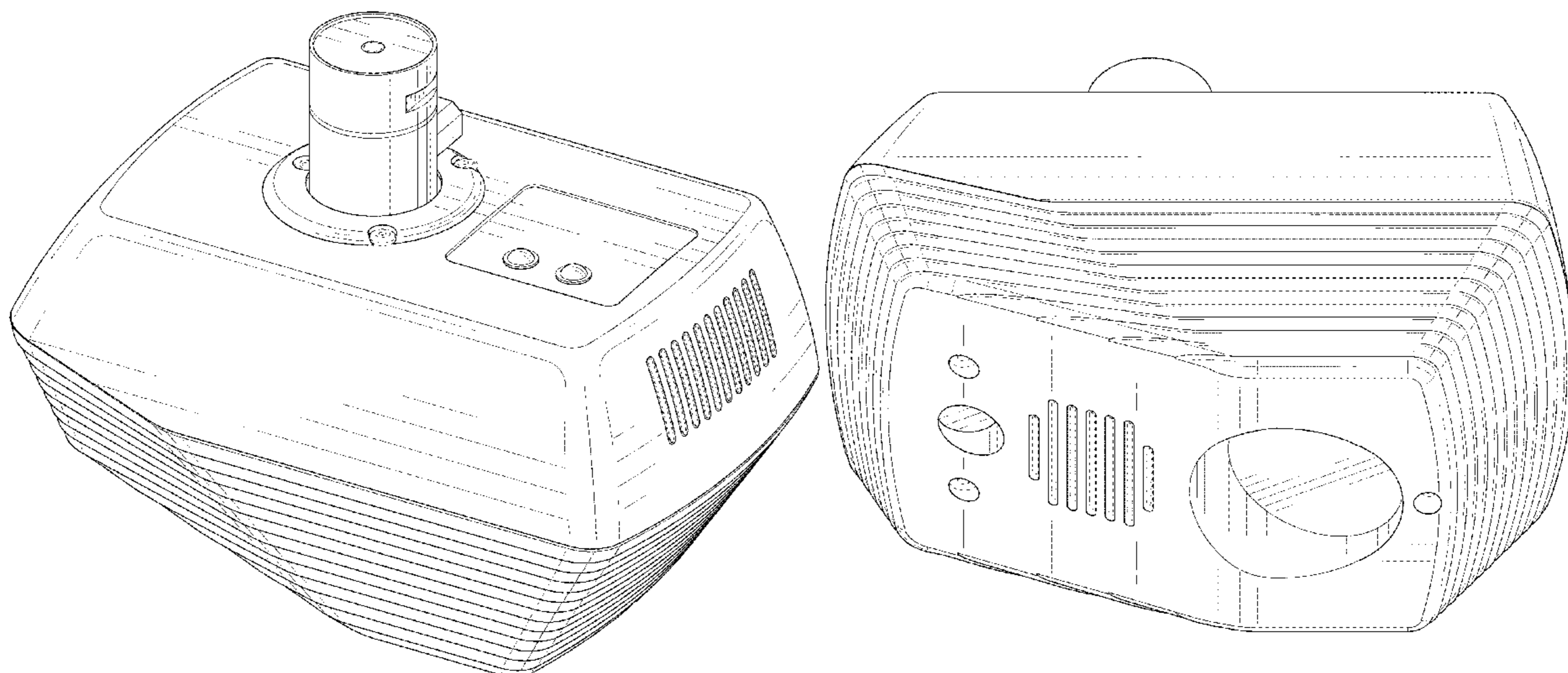
(57) **CLAIM**

The ornamental design for an optical measurement head for coordinate measurement, as shown and described.

DESCRIPTION

FIG. 1 is a front, right-side, top perspective view of the optical measurement head for coordinate measurement, showing the new design;
FIG. 2 is a front elevational view thereof;
FIG. 3 is a rear elevational view thereof;
FIG. 4 is a right-side elevational view thereof;
FIG. 5 is a left-side elevational view thereof;
FIG. 6 is a top plan view thereof;
FIG. 7 is a bottom plan view thereof; and,
FIG. 8 is a front, bottom perspective view thereof.
The broken lines depict parts of the optical measurement head for coordinate measurement that form no part of the claimed design.

1 Claim, 8 Drawing Sheets



(56)

References Cited

U.S. PATENT DOCUMENTS

11,105,603 B2 * 8/2021 Martelli G01B 7/001
2015/0345933 A1 * 12/2015 Nagataki G01B 11/245
33/503

* cited by examiner

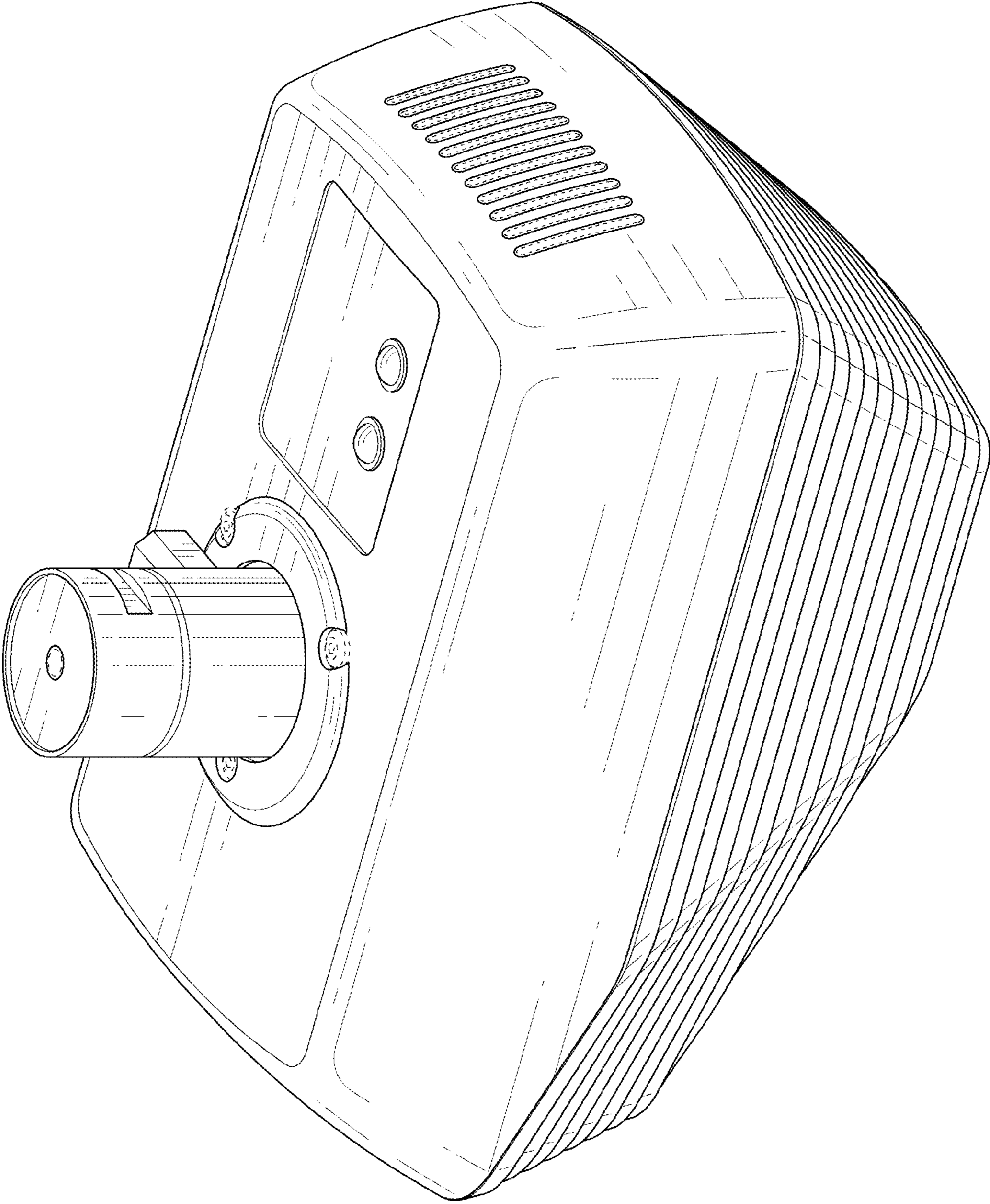


FIG. 1

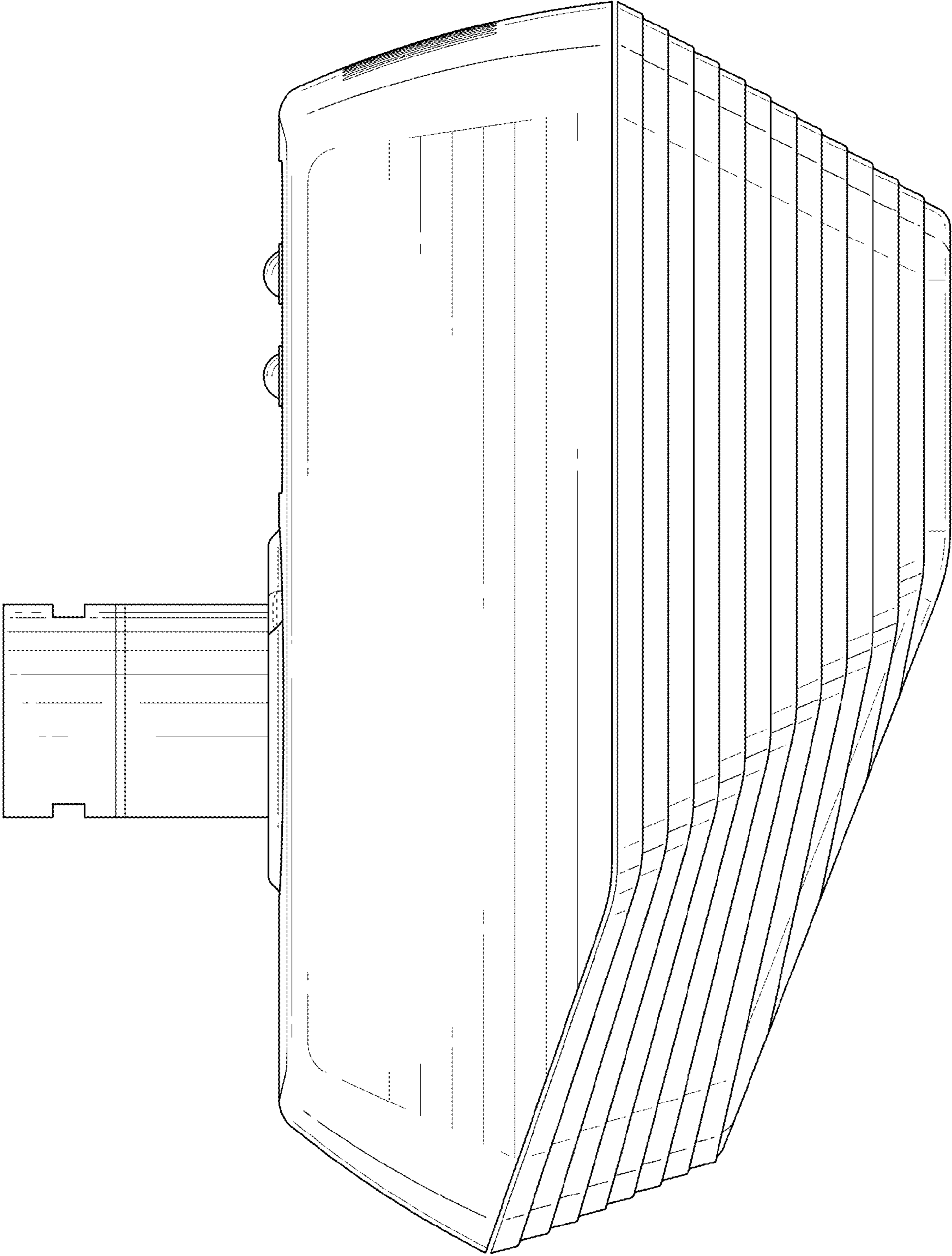


FIG. 2

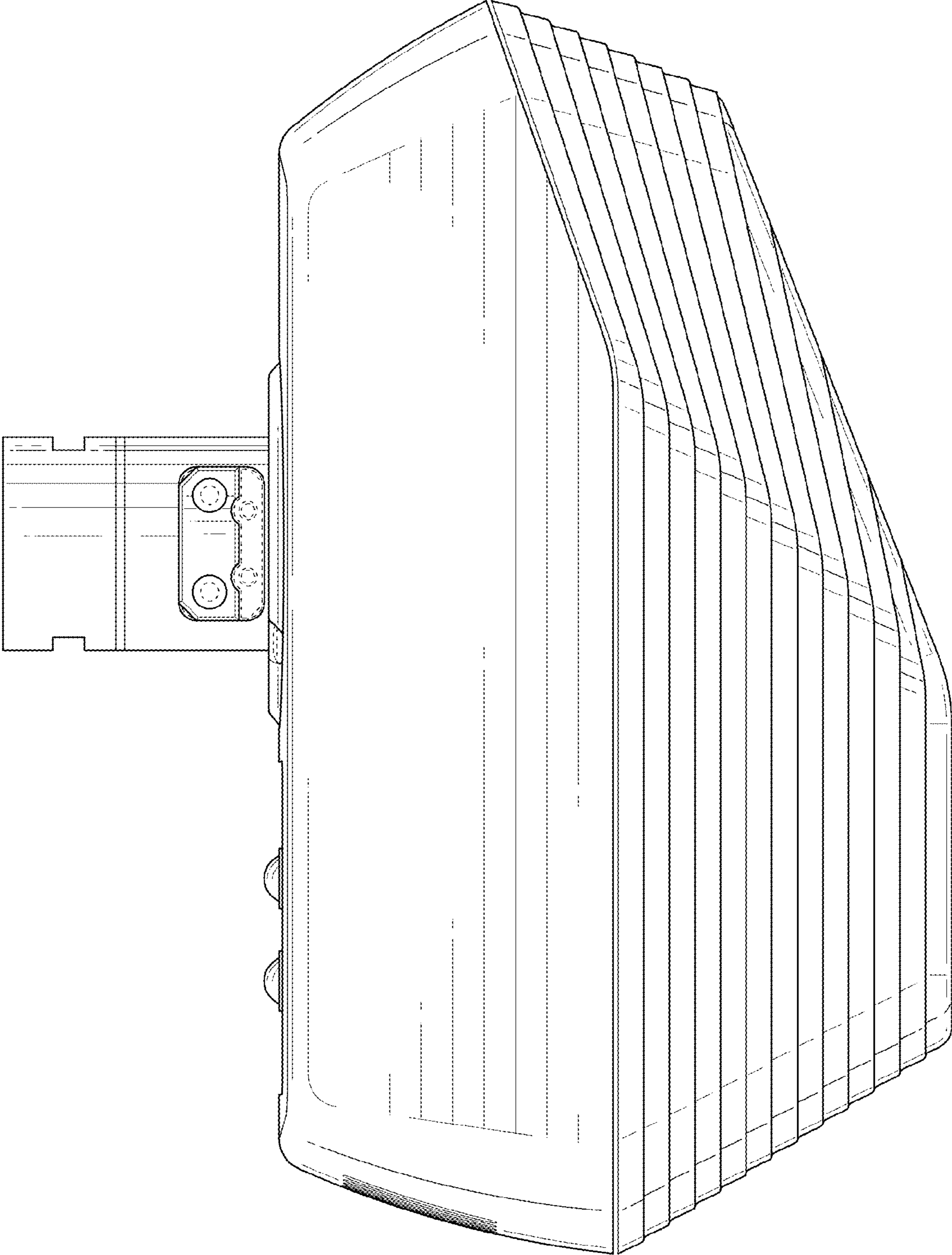


FIG. 3

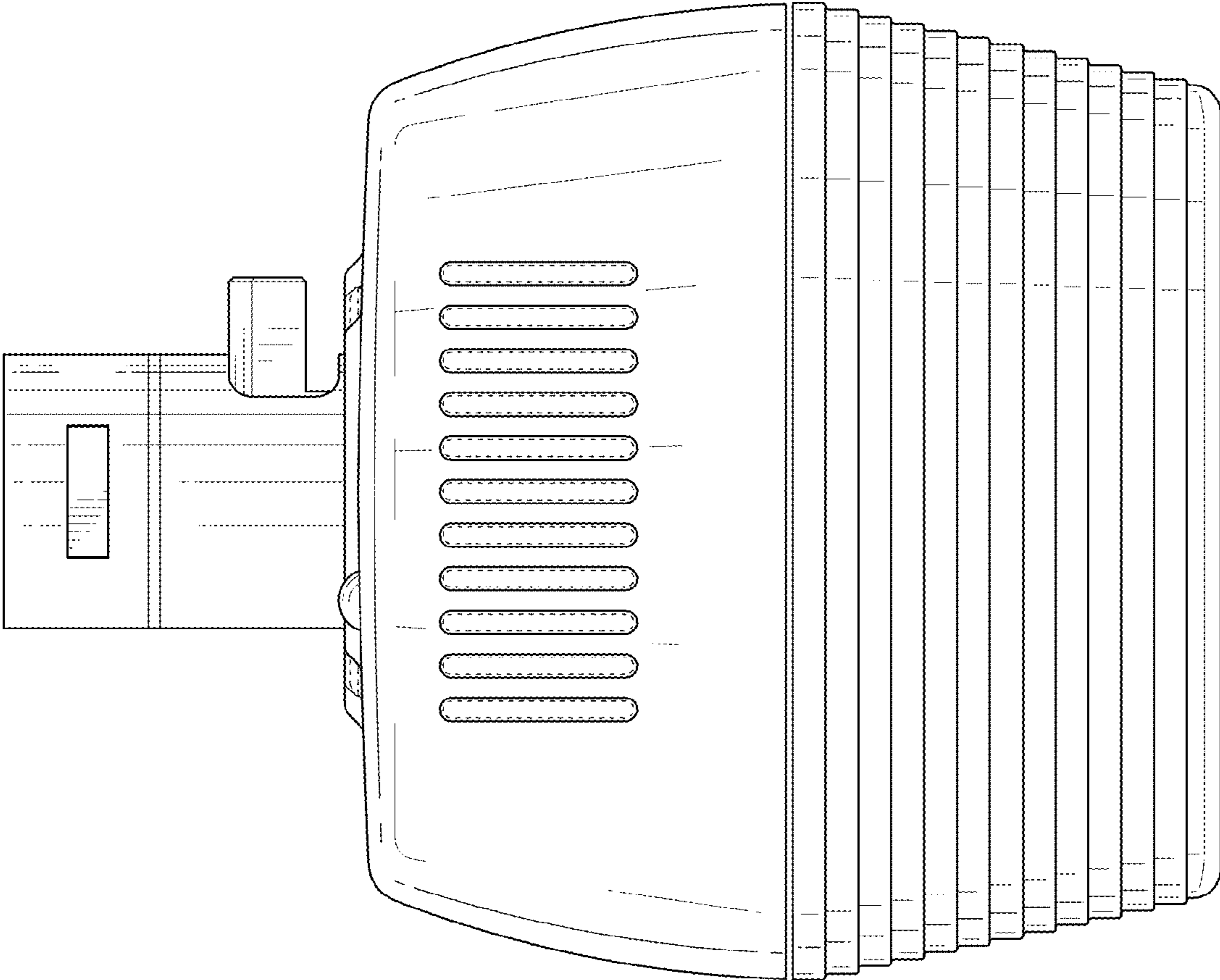


FIG. 4

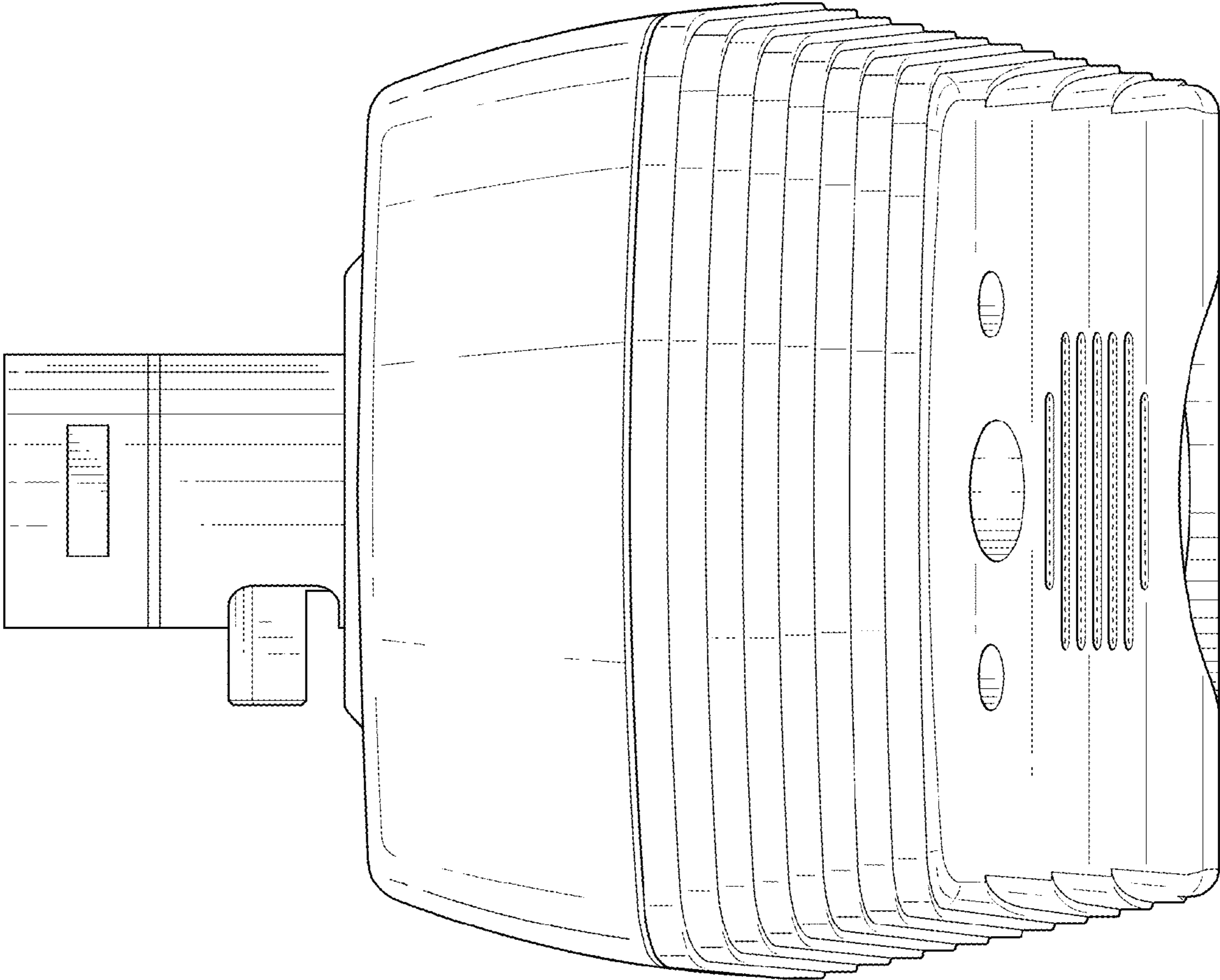


FIG. 5

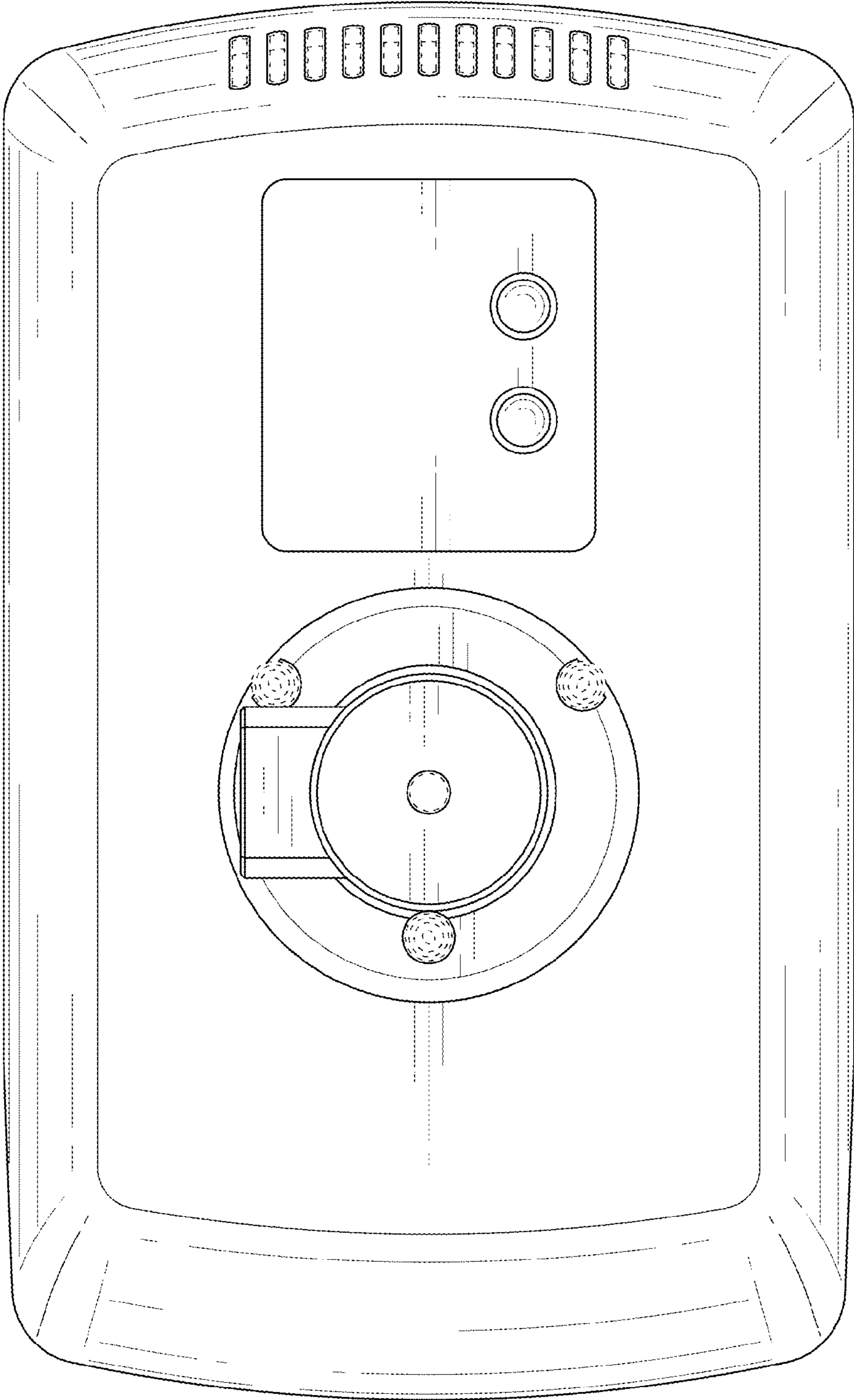


FIG. 6

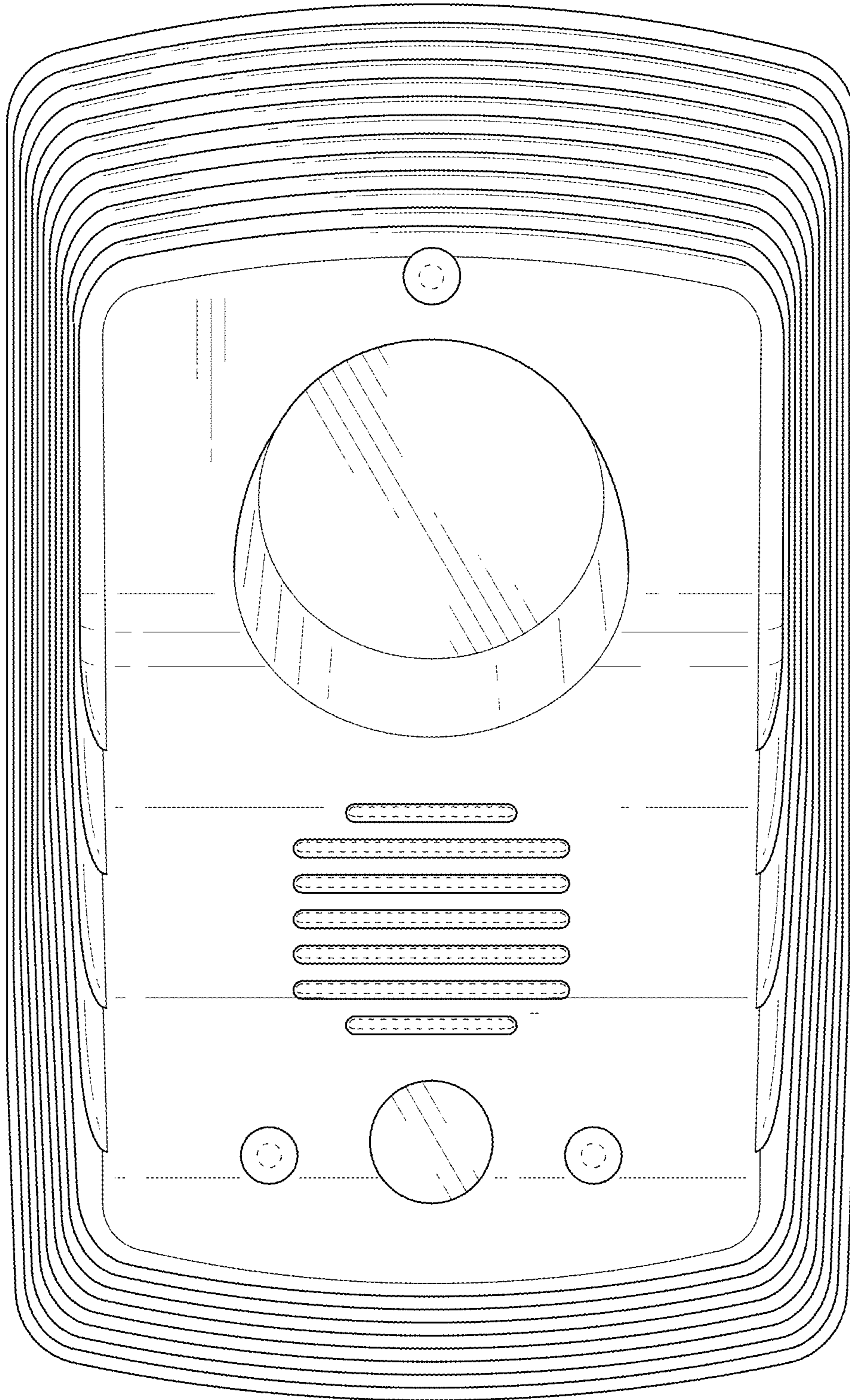


FIG. 7

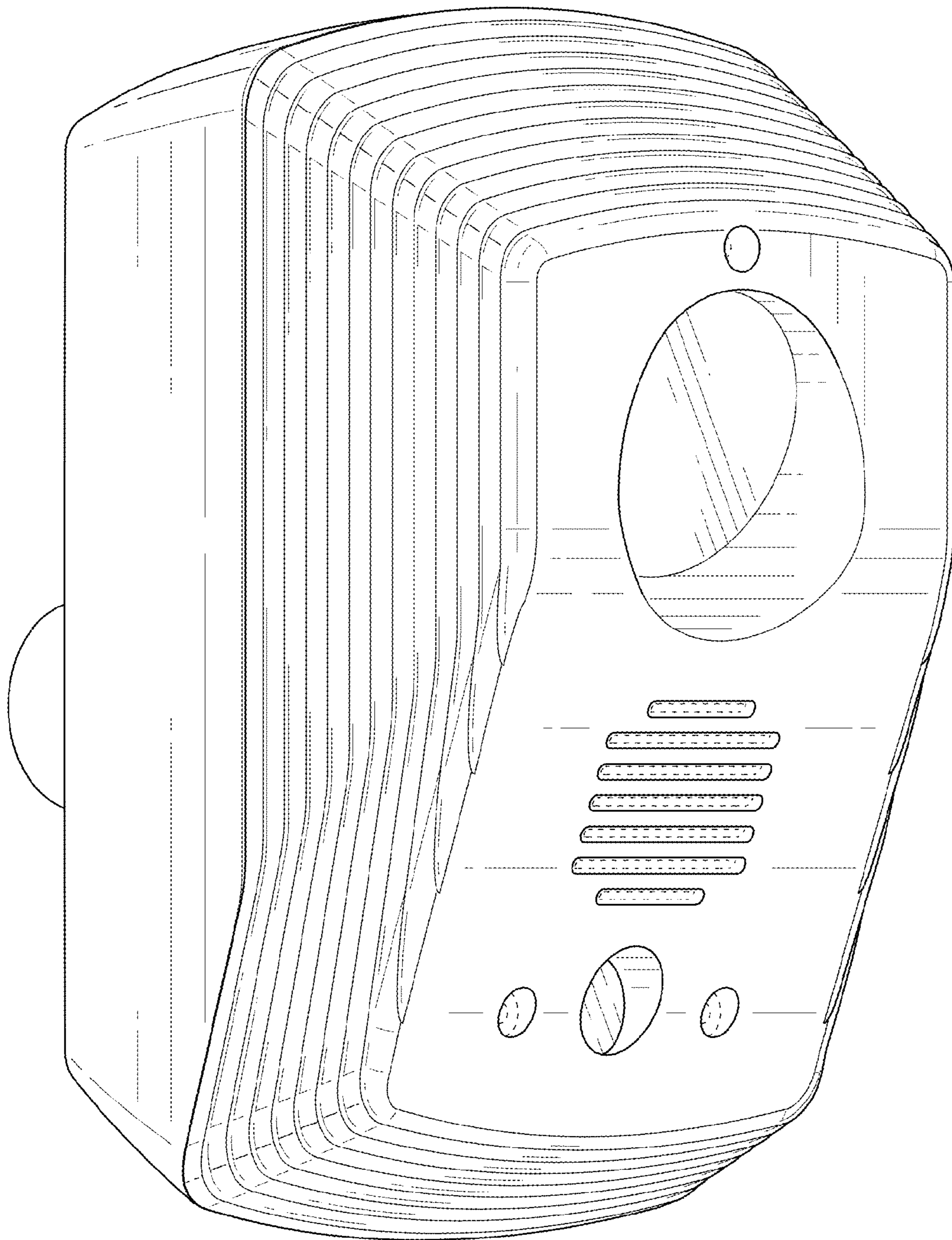


FIG. 8