



US00D957958S

(12) **United States Design Patent** (10) **Patent No.:** **US D957,958 S**  
**Liu** (45) **Date of Patent:** **\*\* Jul. 19, 2022**

(54) **THERMOMETER**

(71) Applicant: **Shenzhen HyperSynes Co., Ltd.**,  
Shenzhen (CN)

(72) Inventor: **Linqing Liu**, Shenzhen (CN)

(73) Assignee: **Shenzhen HyperSynes Co., Ltd.**,  
Shenzhen (CN)

(\*\*) Term: **15 Years**

(21) Appl. No.: **29/747,467**

(22) Filed: **Aug. 24, 2020**

(51) **LOC (13) Cl.** ..... **10-04**

(52) **U.S. Cl.**  
USPC ..... **D10/57**

(58) **Field of Classification Search**  
USPC ..... **D10/57**

CPC ..... **G01K 2207/02; G01K 2207/04; G01K 2207/06; G01K 2207/08; G01K 1/083; G01K 1/18; G01K 13/002**

See application file for complete search history.

(56) **References Cited**

U.S. PATENT DOCUMENTS

D474,121 S \* 5/2003 Friedrichs ..... D10/57

\* cited by examiner

*Primary Examiner* — Antoine Duval Davis

(74) *Attorney, Agent, or Firm* — True Shepherd LLC;  
Andrew C. Cheng

(57) **CLAIM**

The ornamental design for thermometer, as shown and described.

**DESCRIPTION**

FIG. 1 is a perspective view of a thermometer showing my new design;

FIG. 2 is another perspective view thereof when a probe of the thermometer is in a closed state;

FIG. 3 is a front view thereof;

FIG. 4 is a rear view thereof;

FIG. 5 is a left side view thereof;

FIG. 6 is a right side view thereof;

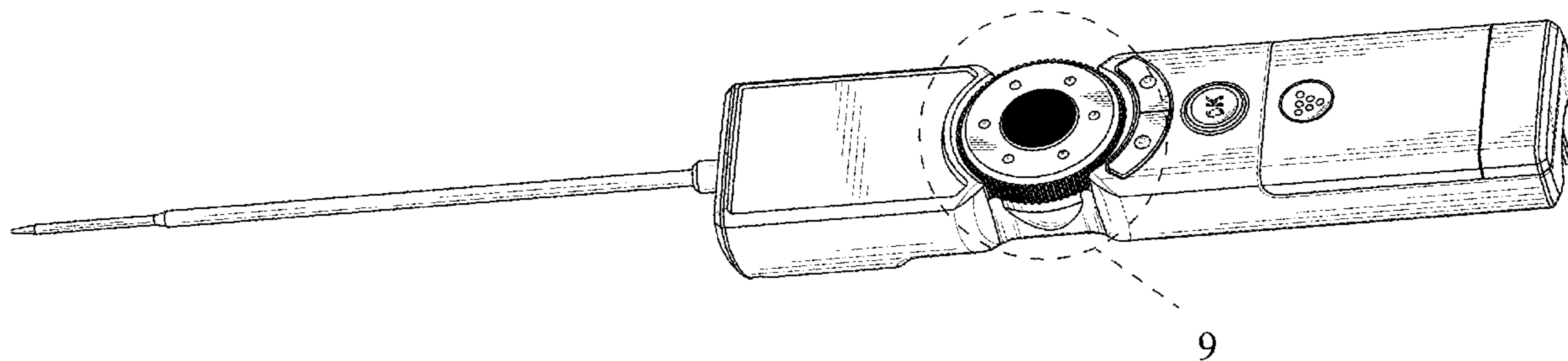
FIG. 7 is a top plan view thereof;

FIG. 8 is a bottom plan view thereof; and,

FIG. 9 is a partial enlarged drawing of a portion 9 showing in FIG. 1.

The broken lines are for the purposes of illustrating portions of the thermometer and form no part of the claimed design.

**1 Claim, 8 Drawing Sheets**



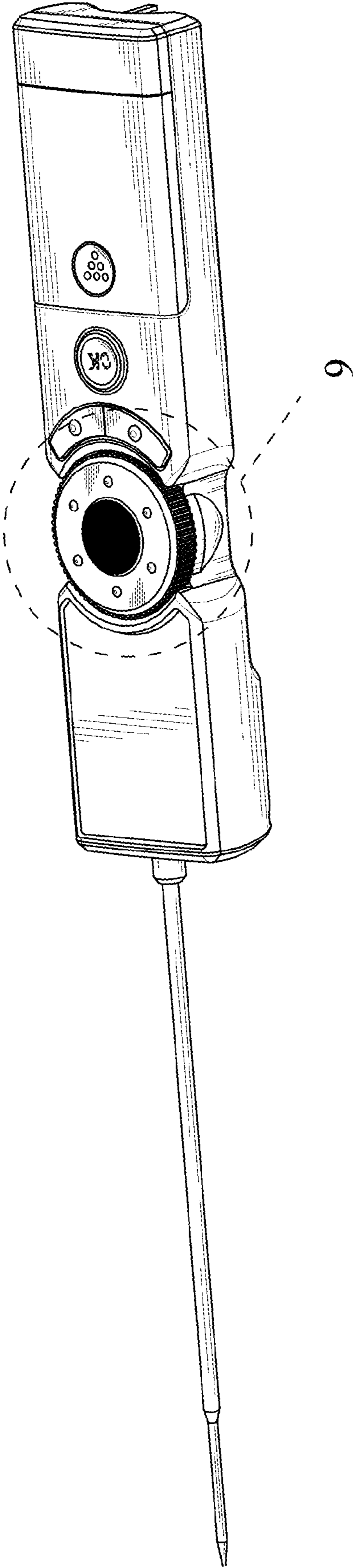


FIG. 1

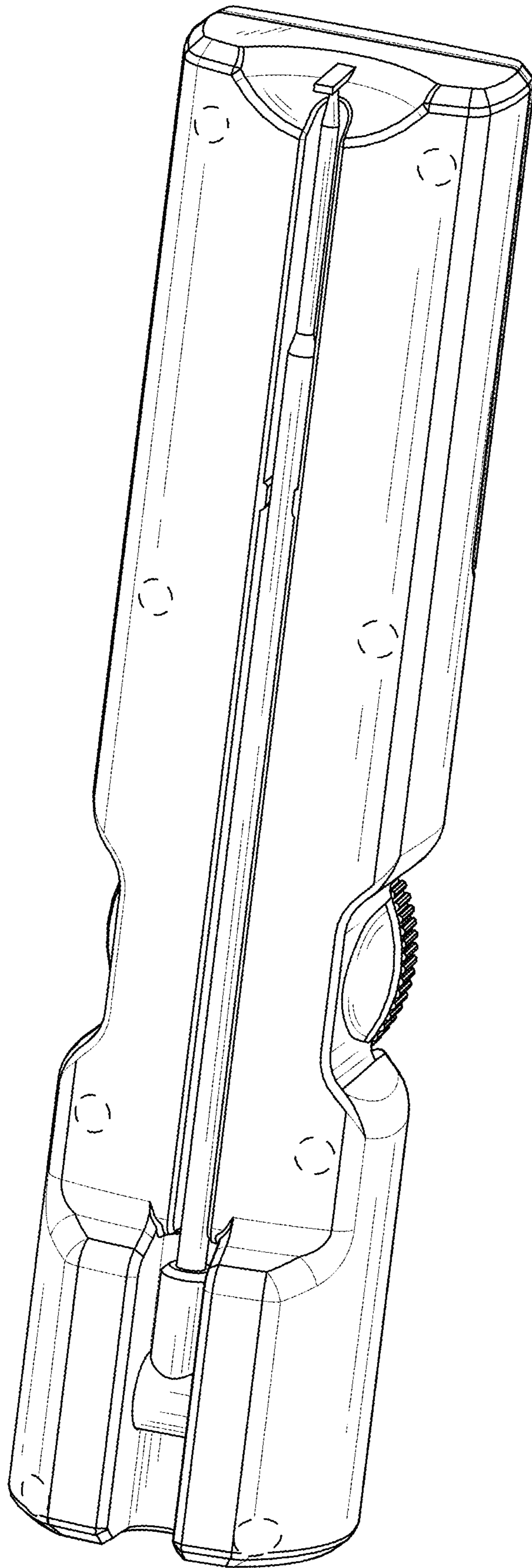


FIG. 2

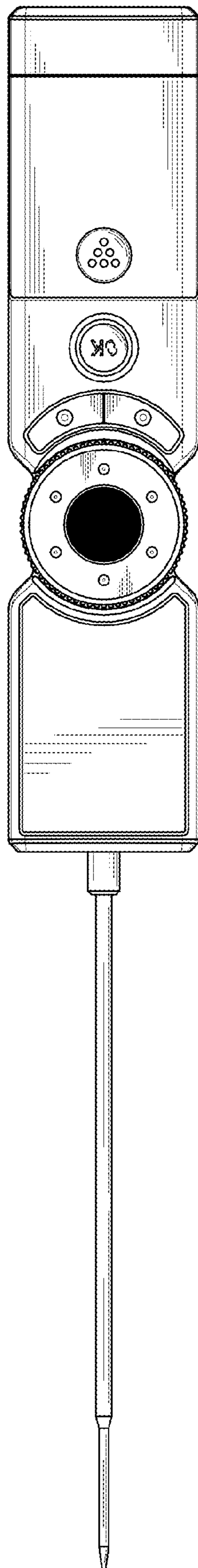


FIG. 3

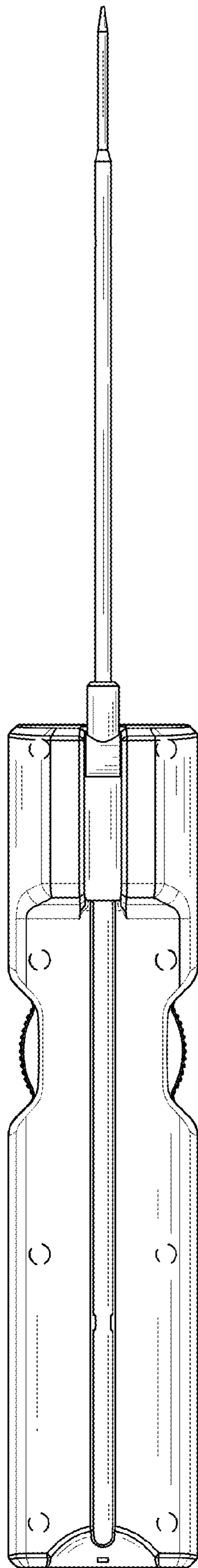


FIG. 4

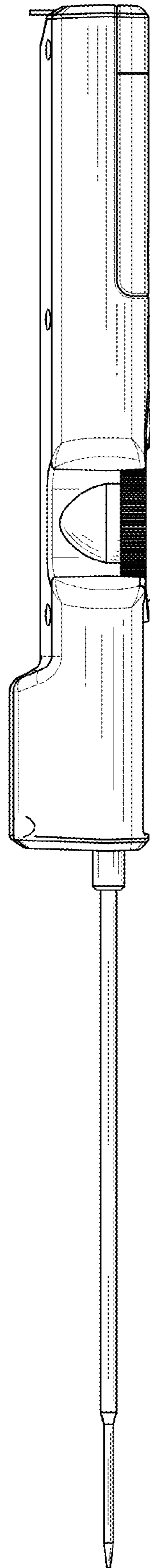


FIG. 5

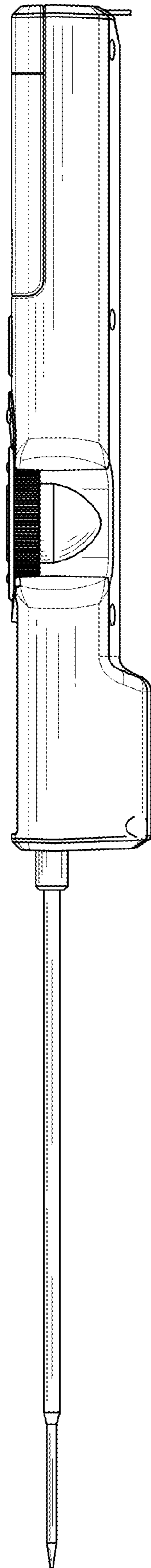


FIG. 6

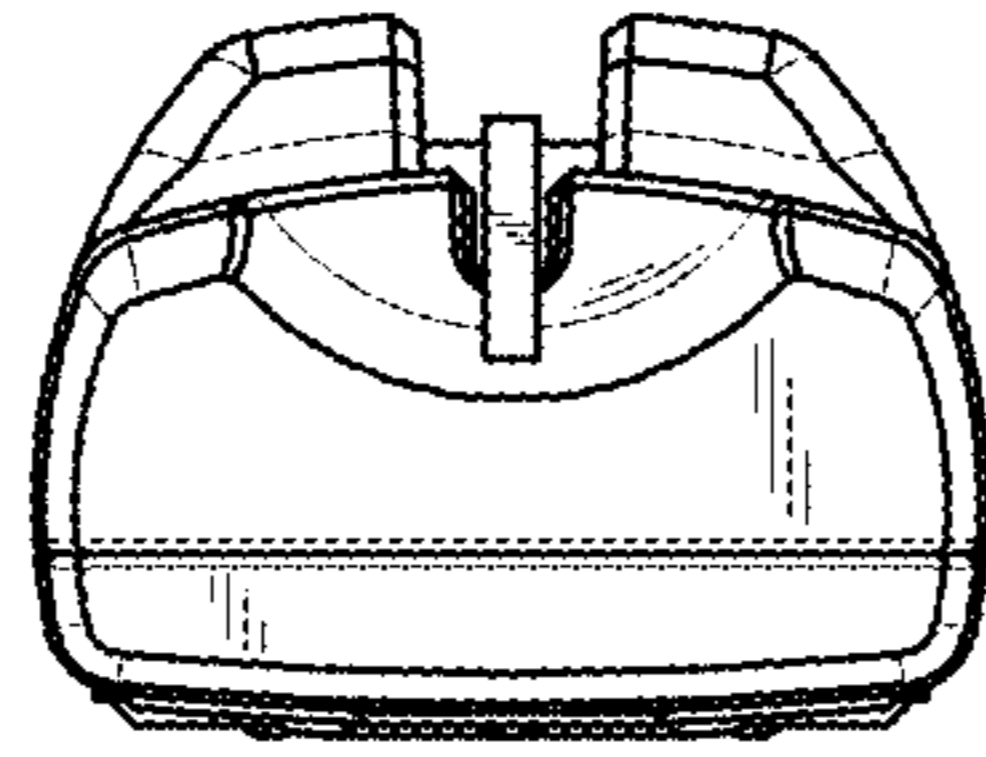


FIG. 8

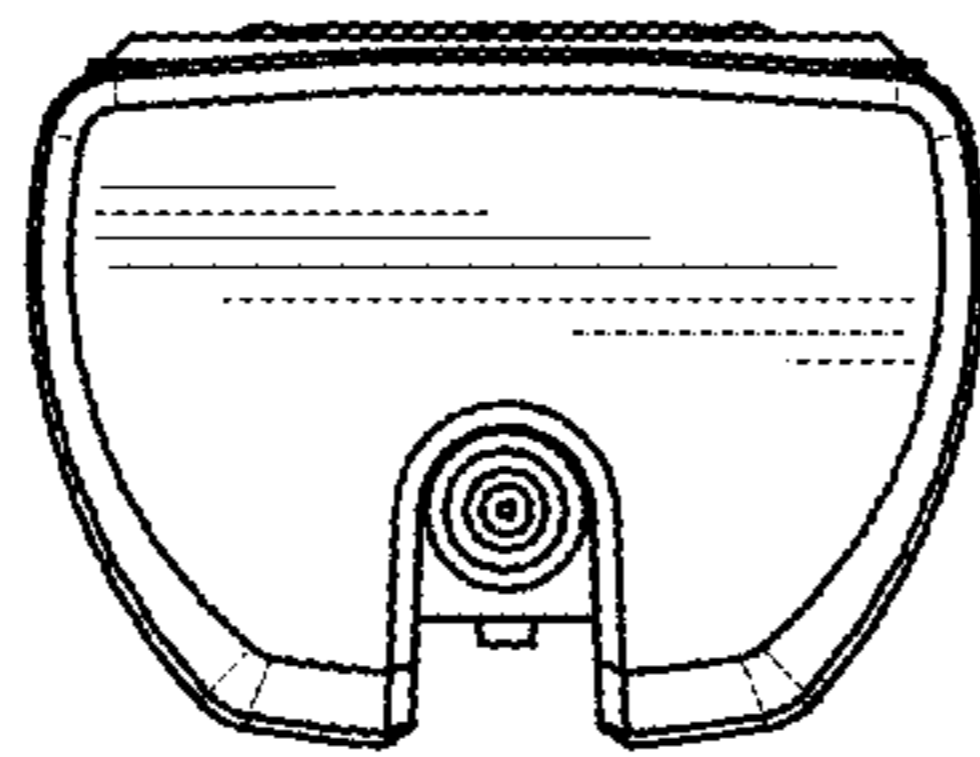


FIG. 7



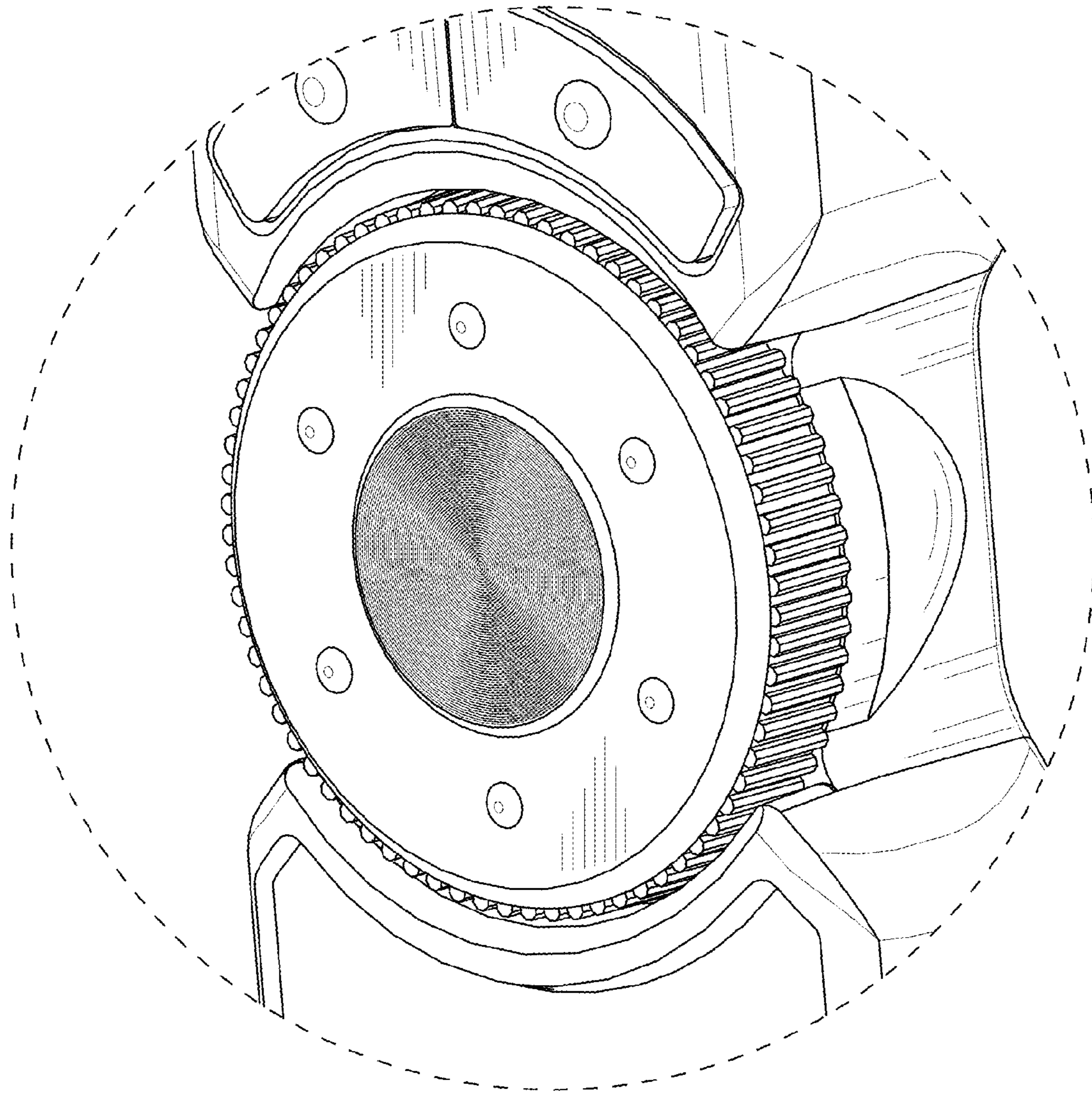


FIG. 9