



US00D957956S

(12) **United States Design Patent**  
**Emby**

(10) **Patent No.:** **US D957,956 S**

(45) **Date of Patent:** **\*\* Jul. 19, 2022**

(54) **SMART THERMOSTAT**

H05K 5/0243; H05K 5/00; H05K 5/03;  
H04M 2250/12; H04M 2250/22

(71) Applicant: **TrickleStar Ltd.**, Wan Chai (HK)

See application file for complete search history.

(72) Inventor: **Bernard Christopher Emby**, Kuala Lumpur (MY)

(56) **References Cited**

(73) Assignee: **TrickleStar Ltd.**, Wan Chai (HK)

U.S. PATENT DOCUMENTS

(\*\*) Term: **15 Years**

(21) Appl. No.: **29/759,394**

D667,382 S *	9/2012	Cosentino	D13/168
D788,603 S *	6/2017	Liu	D10/49
D830,857 S *	10/2018	Ni	D10/49
D833,893 S *	11/2018	McKinnon	D10/50
D836,568 S *	12/2018	Miller	D13/168
D843,235 S *	3/2019	McKinnon	D10/50
D896,764 S *	9/2020	Gutierrez	G05D 23/1904

(22) Filed: **Nov. 23, 2020**

2017/0082313 A1\* 3/2017 Benichou G05D 23/1904

(51) **LOC (13) Cl.** ..... **10-04**

\* cited by examiner

(52) **U.S. Cl.**

USPC ..... **D10/49**; D13/162

(58) **Field of Classification Search**

*Primary Examiner* — Antoine Duval Davis

USPC ..... D10/49, 50; D13/162, 162.1, 168, 177,  
D13/184

(74) *Attorney, Agent, or Firm* — The Webb Law Firm

CPC . F23N 5/20; F23N 5/203; F23N 5/206; F23N  
5/18; F23N 5/184; F23N 5/187; F23N  
5/22; F23N 2025/12; F23N 2041/02;  
F24F 11/00; F24F 11/0012; F24F  
11/0009; F24F 11/001; F24F 2011/0057;  
F24F 2011/0073; F24F 2011/0091; F24F  
2011/0094; F24F 2011/0068; F24F  
2011/0012; F24F 2011/0015; F24F  
2011/0017; F21V 11/16; F21V 33/10;  
G05B 19/042; G05D 23/01; G05D 23/12;  
G05D 23/275; G05D 23/1902; G05D  
23/1904; G05D 23/27502; G05D  
23/27503; G05D 23/1919; G05D 23/19;  
G05D 23/2723; G05D 23/00; G09F  
13/22; G09F 9/53; G06F 1/1684; G06F  
1/30; G06F 3/0362; G06F 3/038; H05B  
33/0854; H05B 37/0218; H05K 5/0017;

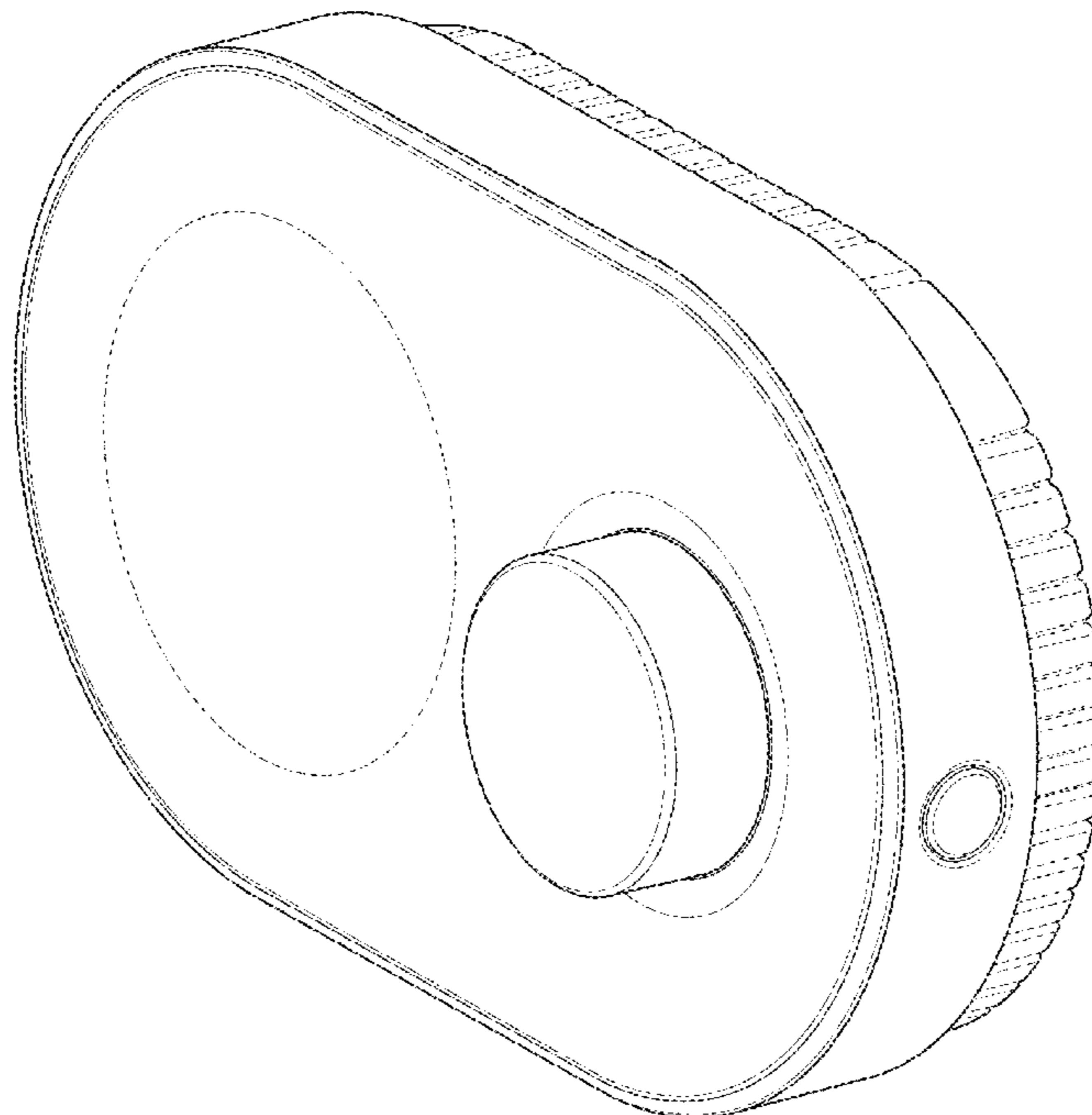
(57) **CLAIM**

The ornamental design for a smart thermostat, as shown and described.

**DESCRIPTION**

FIG. 1 is an upper front perspective view of a smart thermostat, showing my new design;  
FIG. 2 is a front elevation view thereof;  
FIG. 3 is a rear elevation view thereof;  
FIG. 4 is a top view thereof;  
FIG. 5 is a bottom view thereof;  
FIG. 6 is a left side elevation view thereof; and,  
FIG. 7 is a right side elevation view thereof.  
The portions of the smart thermostat shown in broken lines form no part of the claimed design.

**1 Claim, 4 Drawing Sheets**



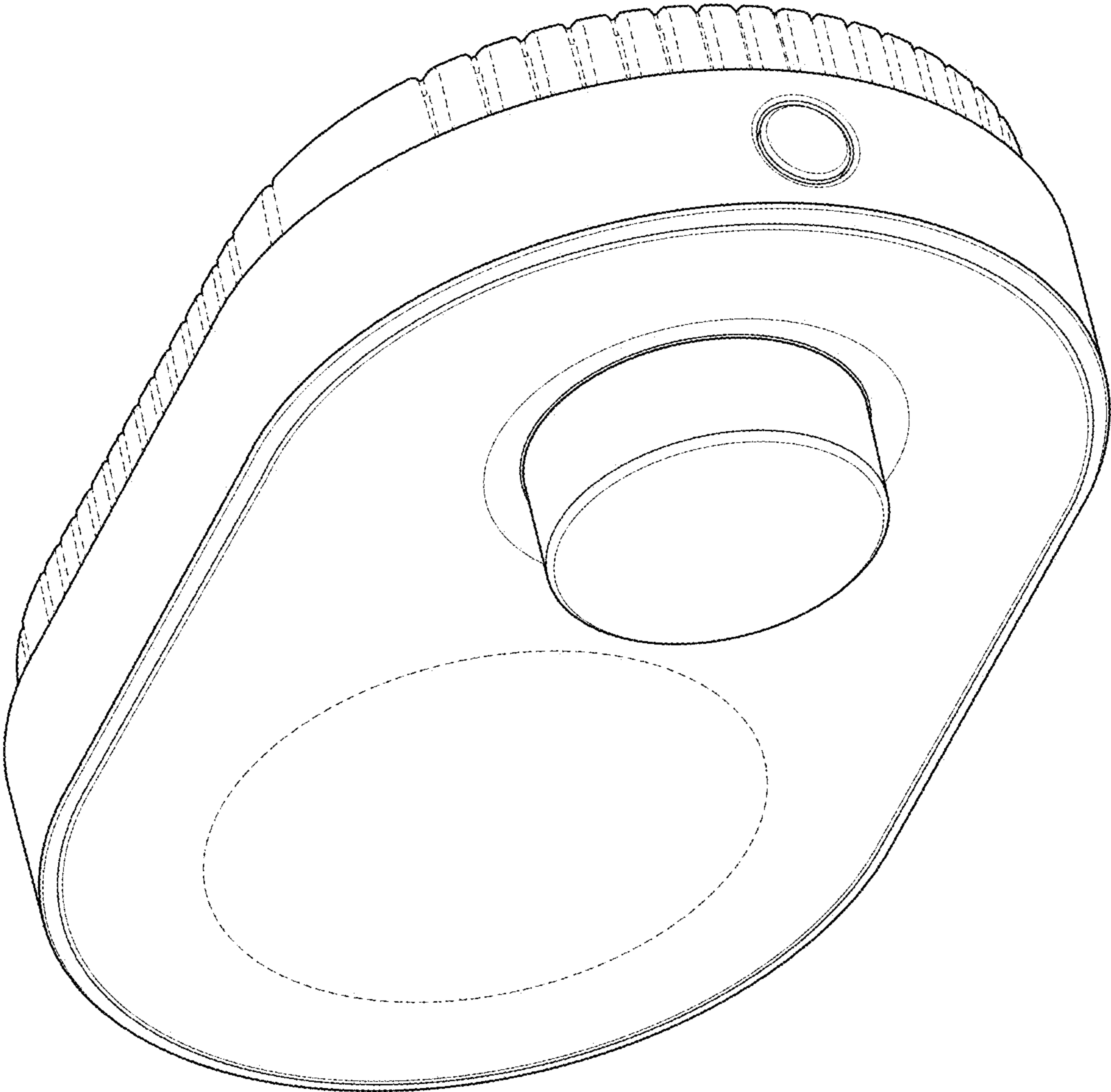
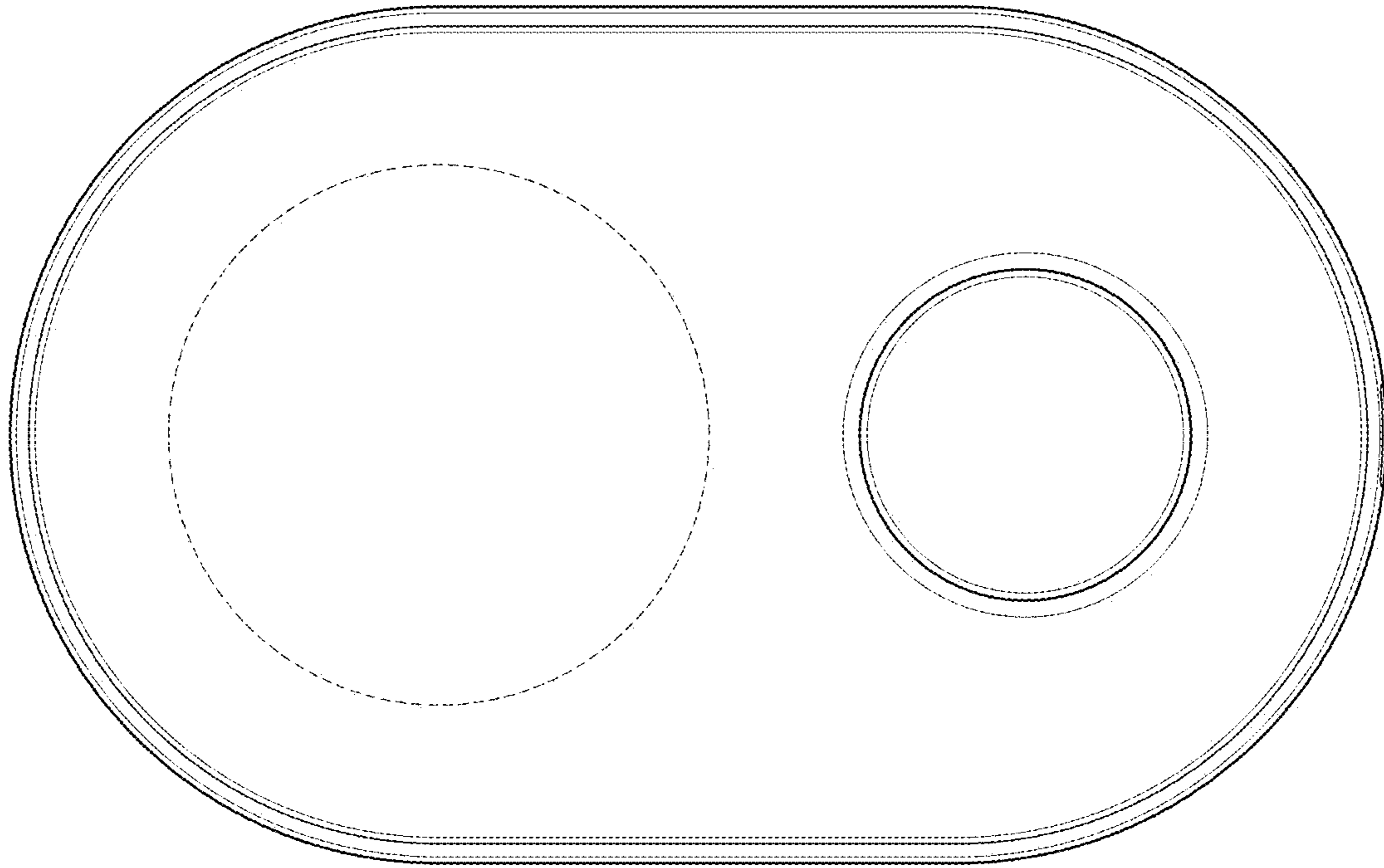
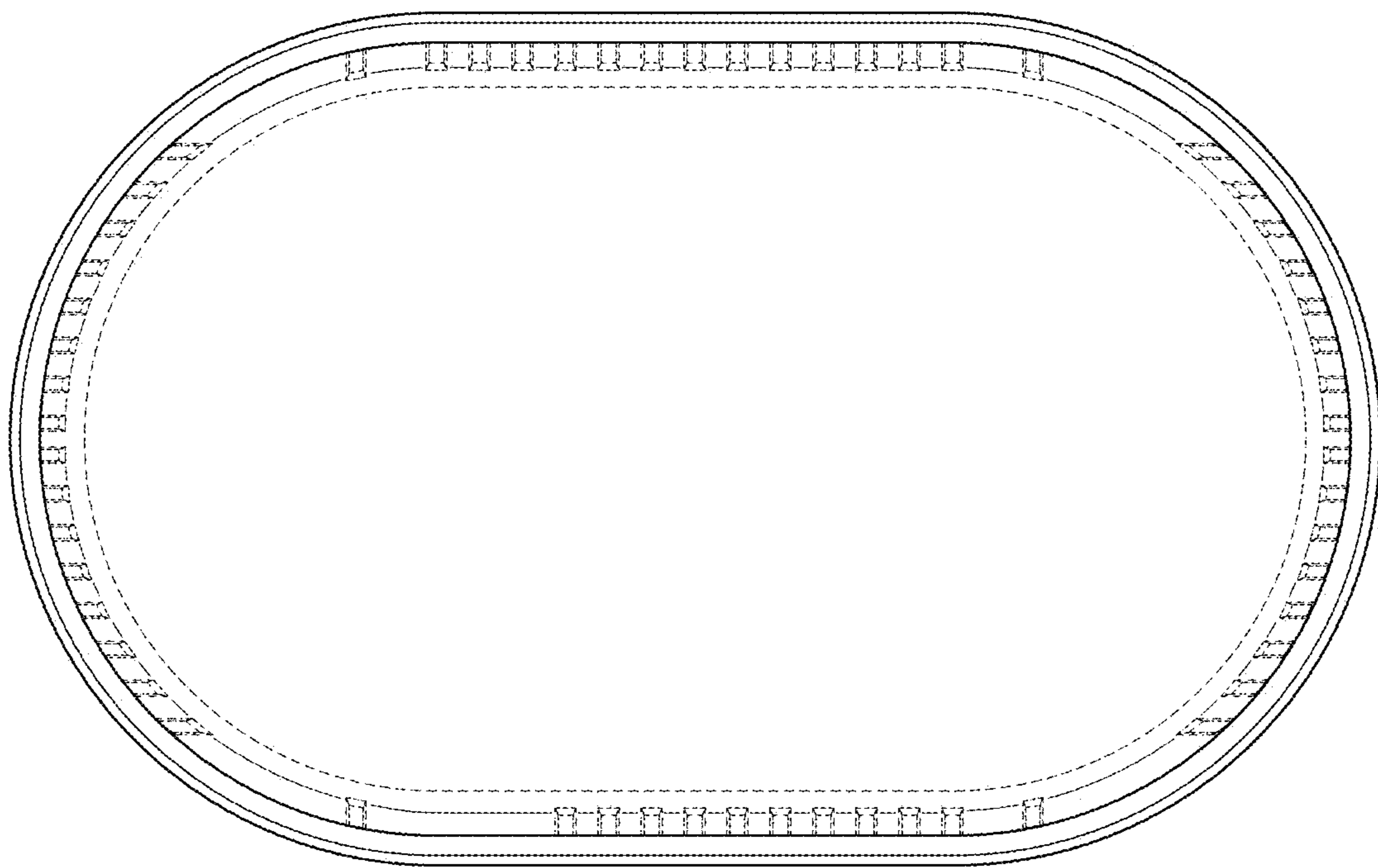


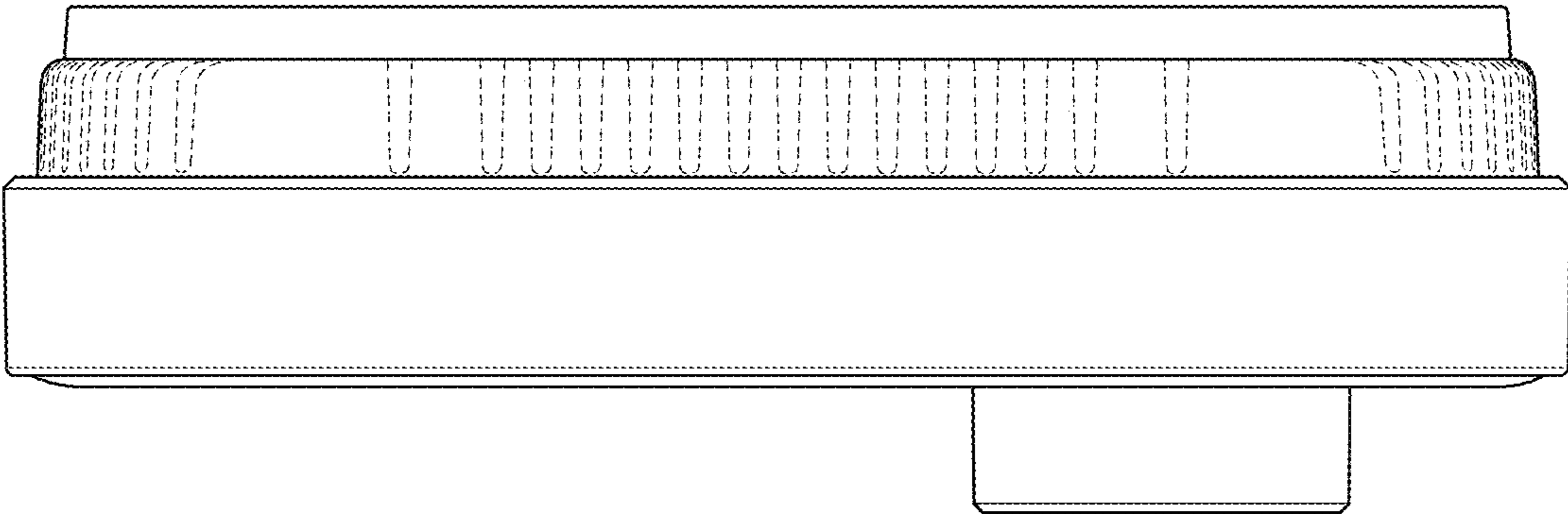
FIG. 1



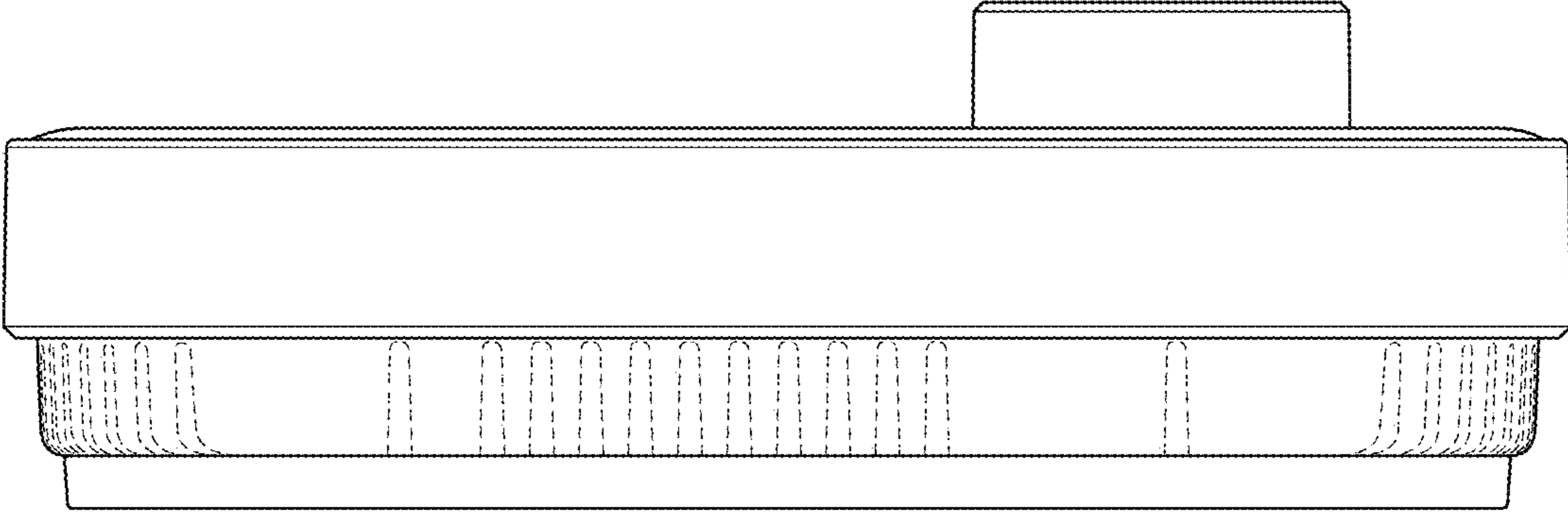
**FIG. 2**



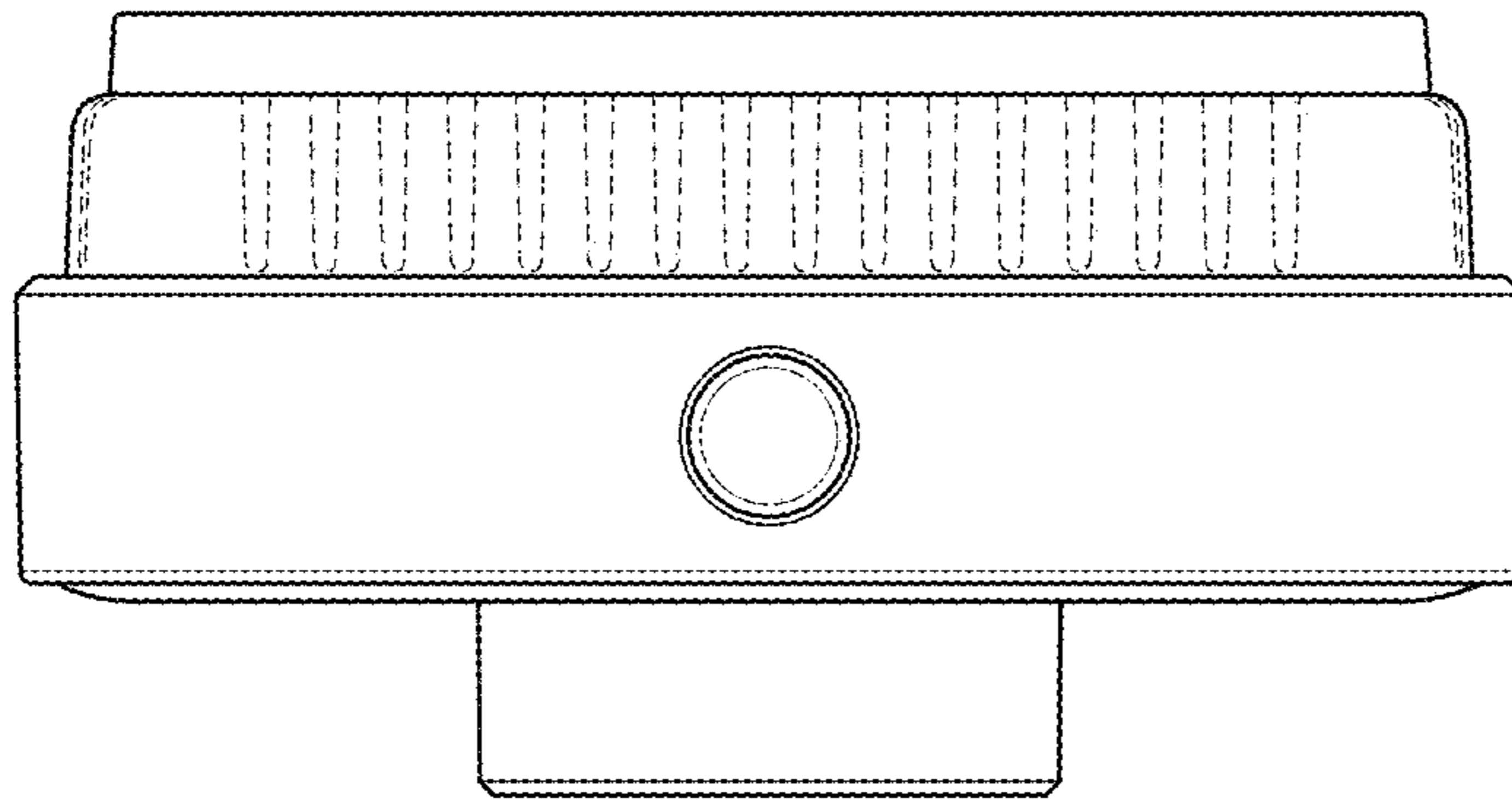
**FIG. 3**



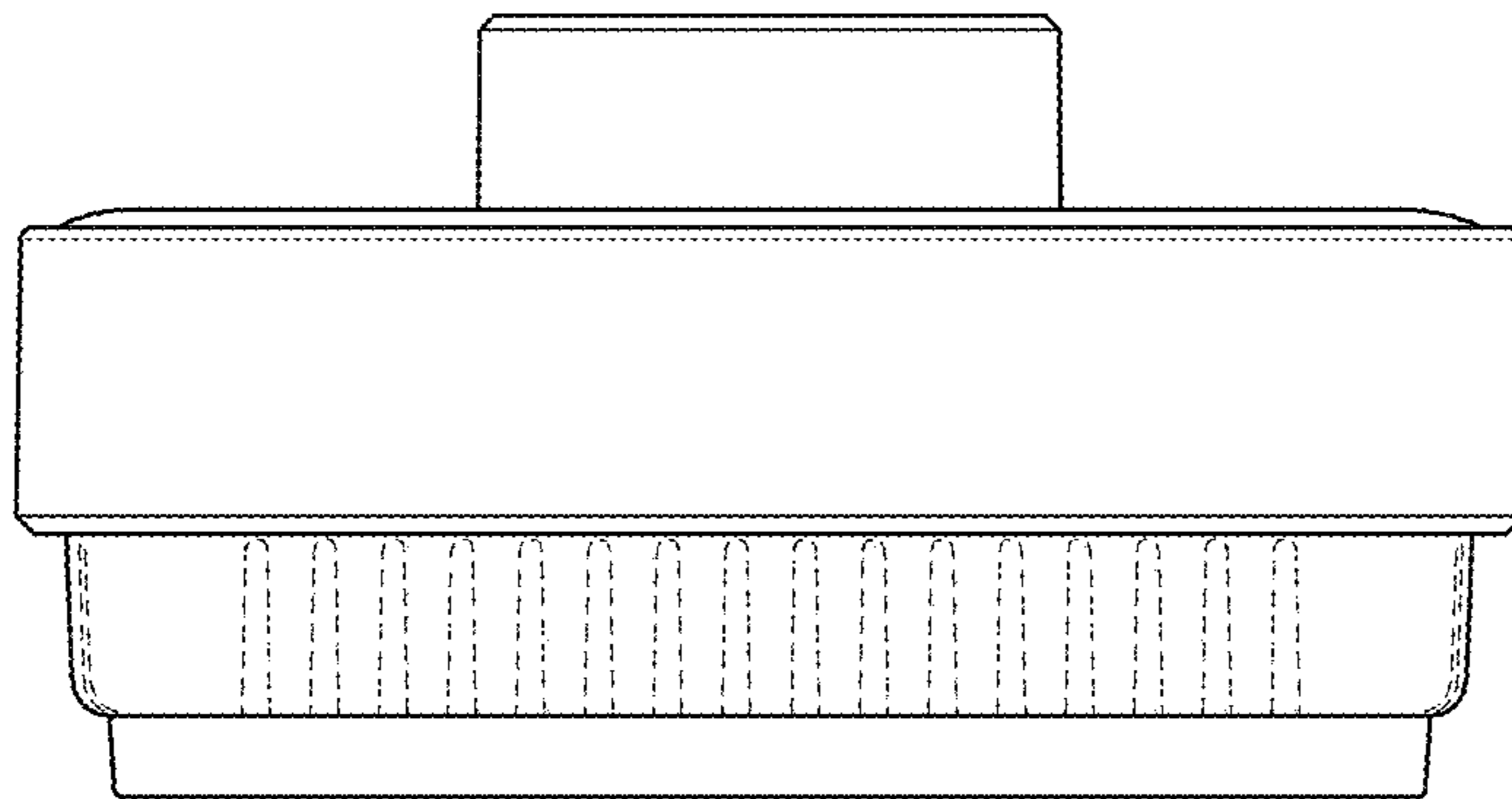
**FIG. 4**



**FIG. 5**



**FIG. 7**



**FIG. 6**