



US00D957955S

(12) **United States Design Patent** (10) **Patent No.:** **US D957,955 S**
Adams et al. (45) **Date of Patent:** **** Jul. 19, 2022**

(54) **SENSOR**
(71) Applicant: **Summit Innovations Holdings Pty Ltd**, Braeside (AU)
(72) Inventors: **Matthew James Adams**, Braeside (AU); **Oscar Fehlberg**, Braeside (AU)
(73) Assignee: **Summit Innovations Holdings Pty Ltd**, Braeside (AU)
(**) Term: **15 Years**
(21) Appl. No.: **29/731,952**
(22) Filed: **Apr. 20, 2020**

(30) **Foreign Application Priority Data**
Oct. 21, 2019 (AU) 201916029
(51) **LOC (13) Cl.** **10-07**
(52) **U.S. Cl.**
USPC **D10/46; D16/203**
(58) **Field of Classification Search**
USPC D10/106.6, 46, 70, 103, 104.1, 106.7, D10/106.8, 118.2, 66, 74; D14/159; D16/203, 202, 208, 219
CPC G01P 13/00; G06T 2207/30232; G06T 2207/30236; G06V 20/54
See application file for complete search history.

(56) **References Cited**
U.S. PATENT DOCUMENTS
D359,923 S * 7/1995 Sandell D10/106.7
D360,157 S * 7/1995 Sandell D10/106.7
D469,025 S * 1/2003 Chen D10/46
D496,954 S * 10/2004 Matsumoto D16/202
D558,250 S * 12/2007 Hsia D16/203
D725,324 S * 3/2015 Schrick D30/199
D761,753 S * 7/2016 Michielan D14/159
D871,484 S * 12/2019 Wang D16/203

D885,466 S * 5/2020 Vozzi D16/219
D900,191 S * 10/2020 Vozzi D16/203
D900,908 S * 11/2020 Vozzi D16/203
D910,732 S * 2/2021 Rosenkvist D16/203
D920,417 S * 5/2021 Huang D16/203
D930,490 S * 9/2021 Moore D10/70
D936,128 S * 11/2021 Rosenkvist D16/203
D939,978 S * 1/2022 Moore D10/70
D940,224 S * 1/2022 Kishimoto D16/203

OTHER PUBLICATIONS

The Summit ORB-it Object Recognition Bi-Processor is coming soon to Summit Innovations, available in Instagram.com, announced Dec. 10, 2019, site visited Jan. 4, 2022, Internet URL: <https://www.instagram.com/p/B54qAwOALvB/>. (Year: 2019).*

* cited by examiner

Primary Examiner — George D. Kirschbaum
Assistant Examiner — Lillian Windham
(74) *Attorney, Agent, or Firm* — Saidman DesignLaw Group, LLC

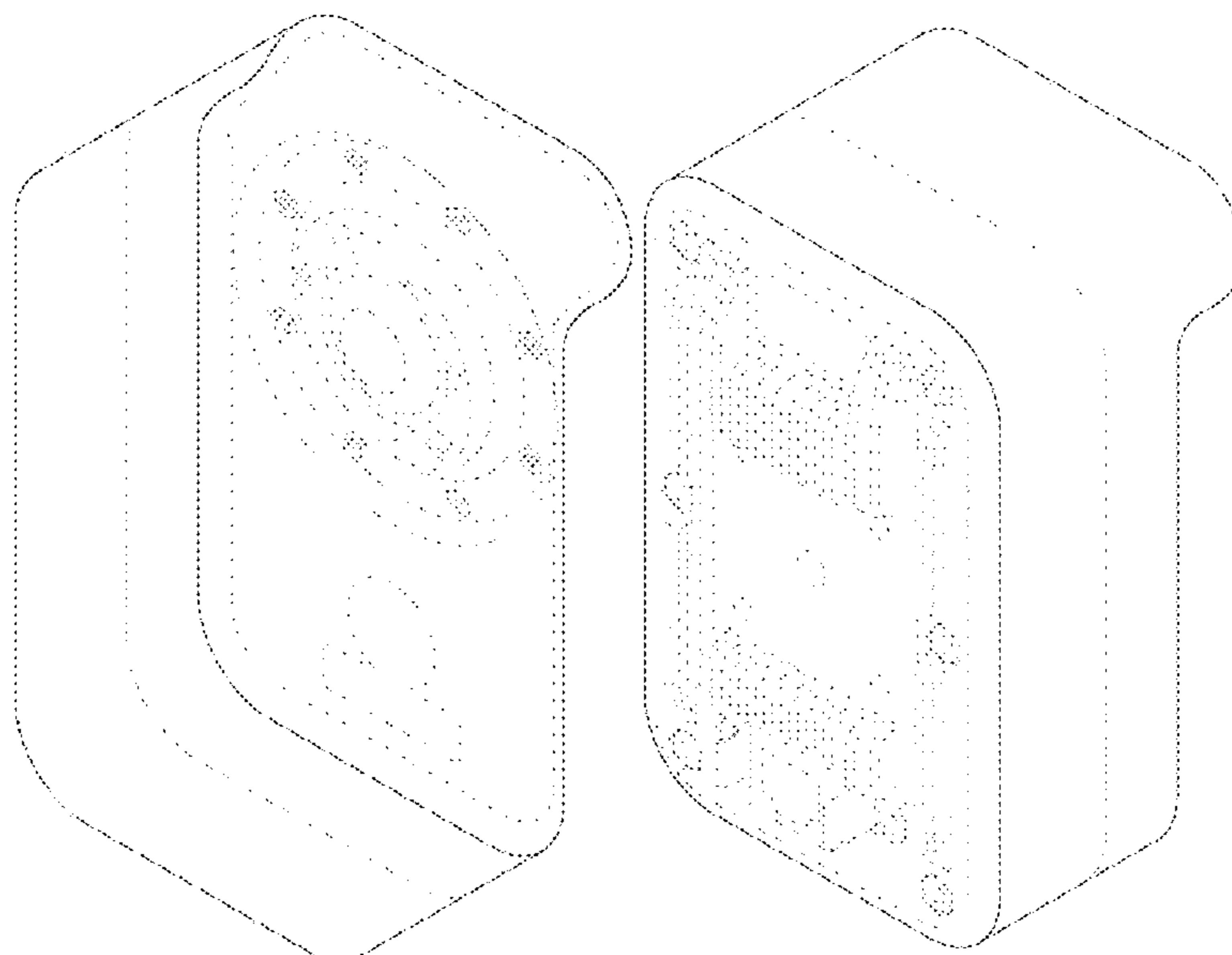
(57) **CLAIM**

The ornamental design for a sensor, as shown and described.

DESCRIPTION

FIG. 1 is a front perspective view of a sensor showing our new design;
FIG. 2 is a rear perspective view thereof;
FIG. 3 is a front view thereof;
FIG. 4 is a rear view thereof;
FIG. 5 is a left side view thereof, the right side view being a mirror image;
FIG. 6 is a top view thereof; and,
FIG. 7 is a bottom view thereof.
The broken lines illustrate portions of the sensor which form no part of the claimed design.

1 Claim, 7 Drawing Sheets



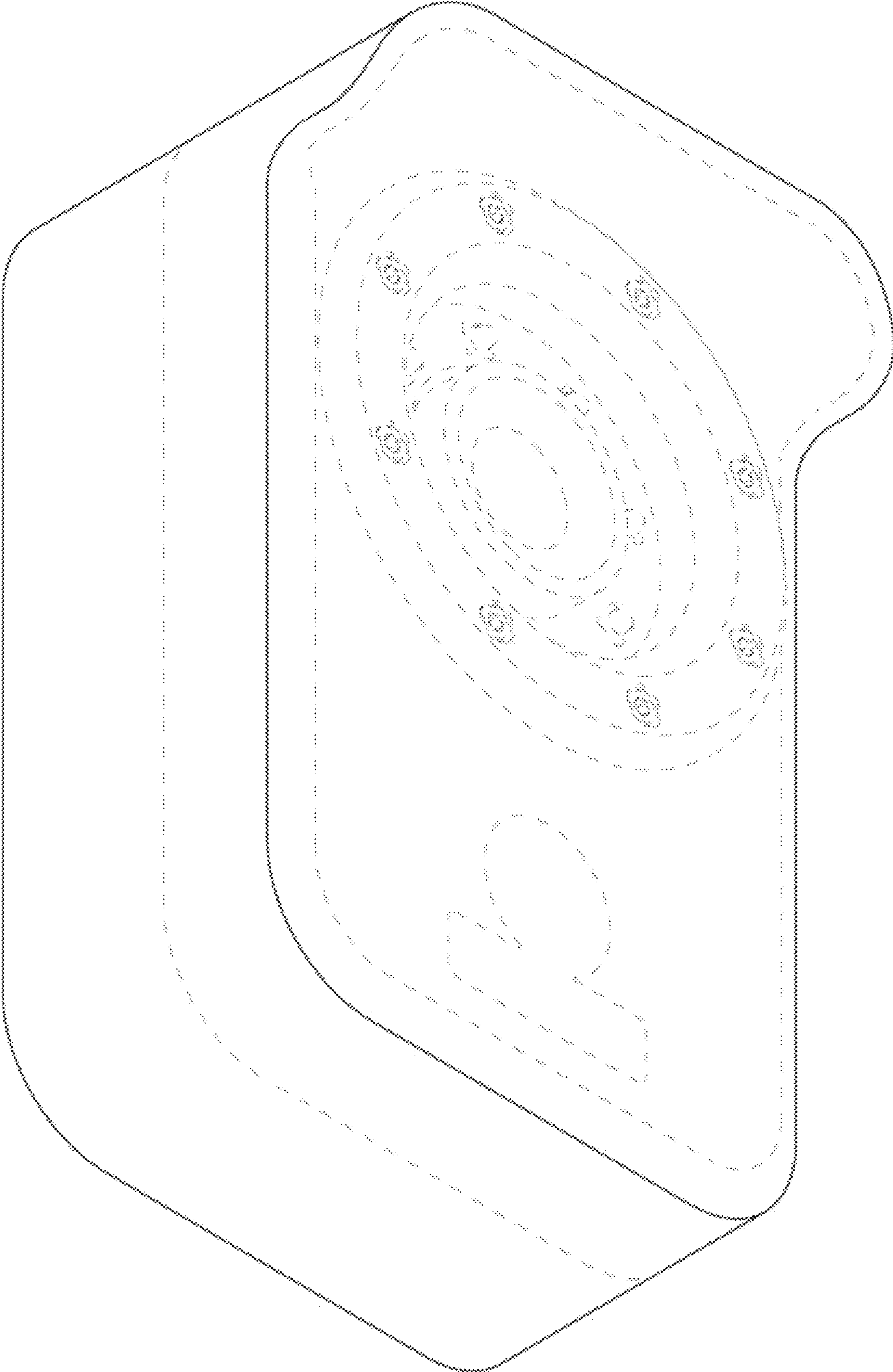


FIG. 1

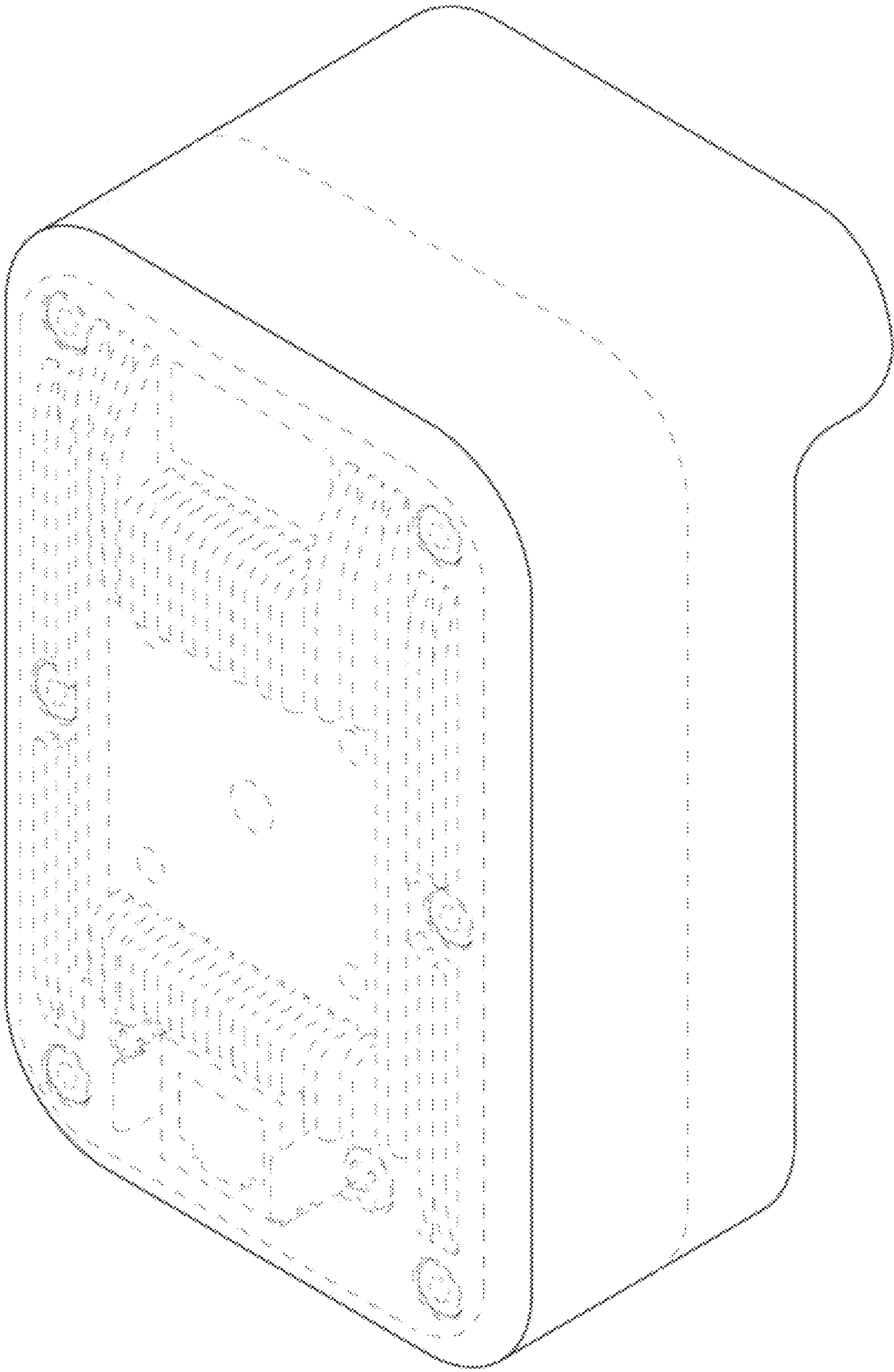


FIG. 2

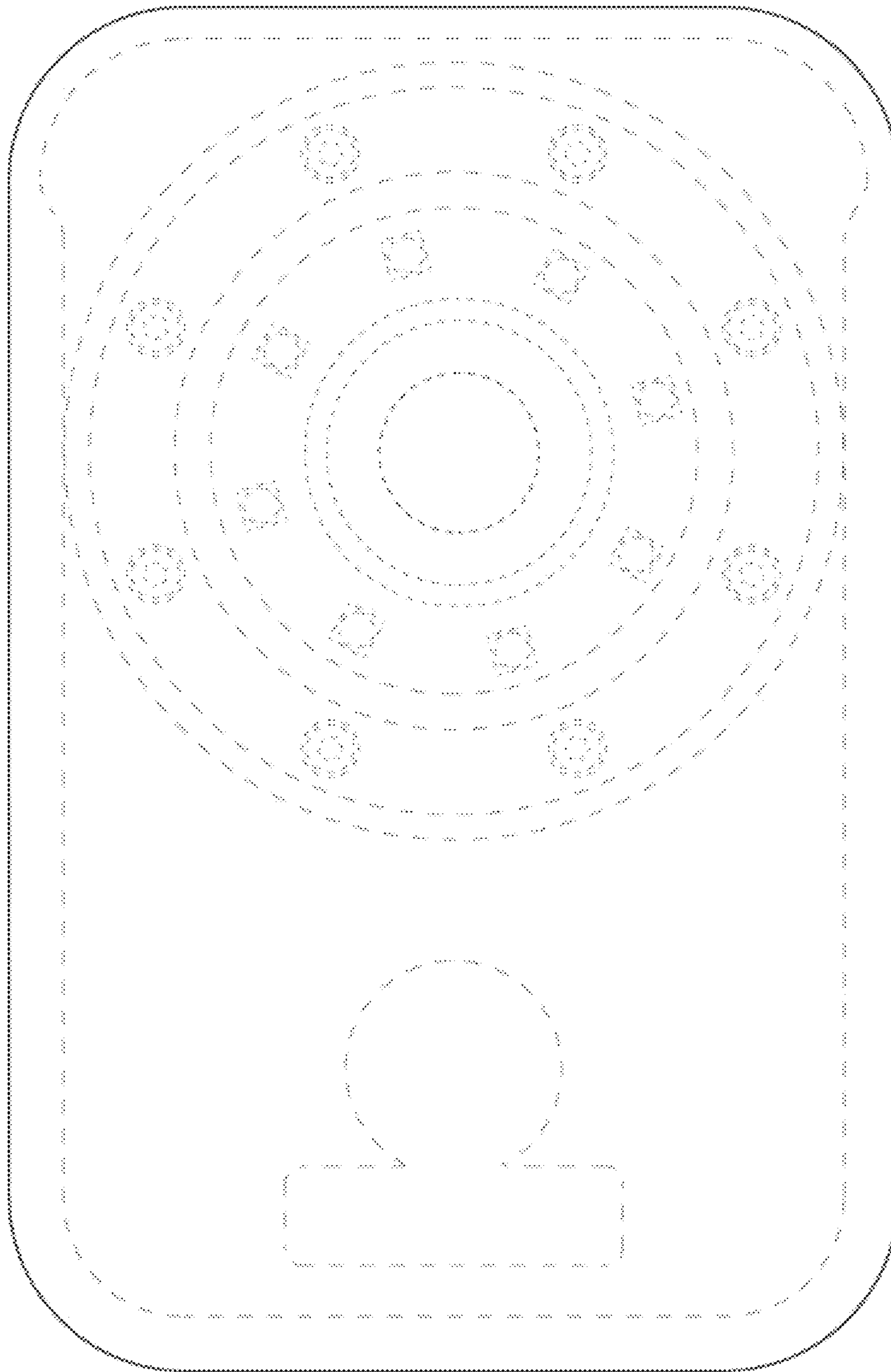


FIG. 3

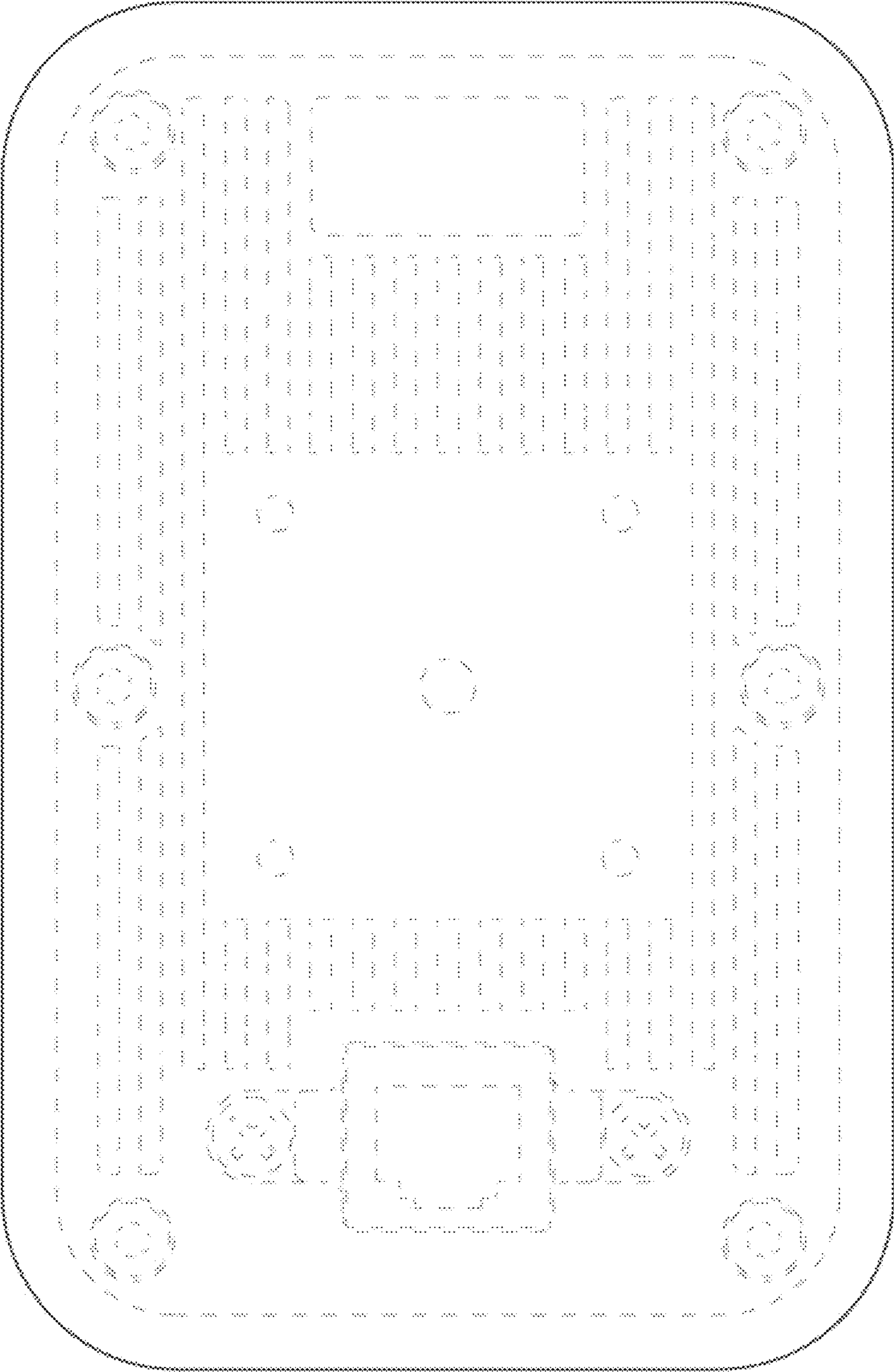


FIG. 4

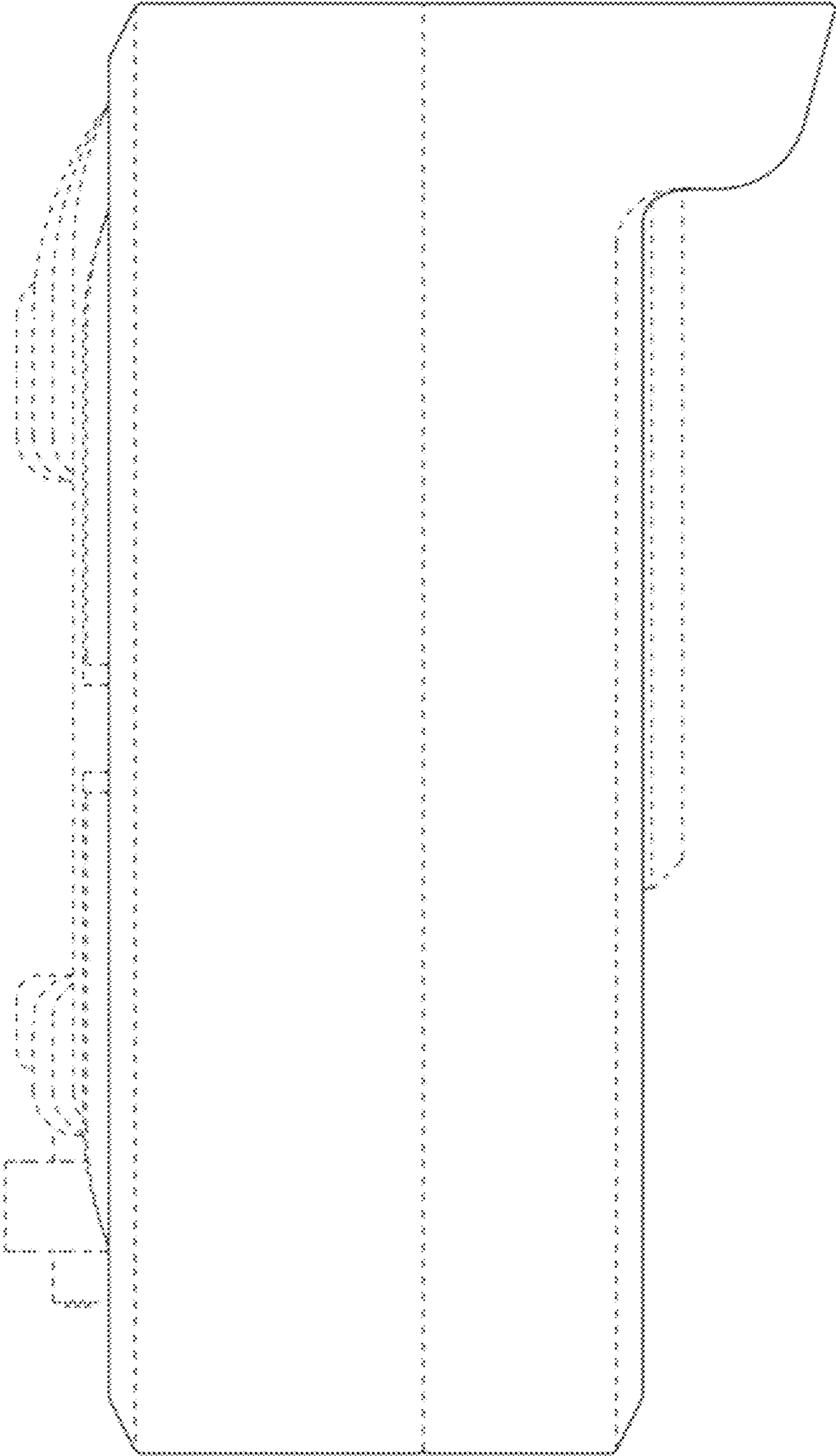


FIG. 5

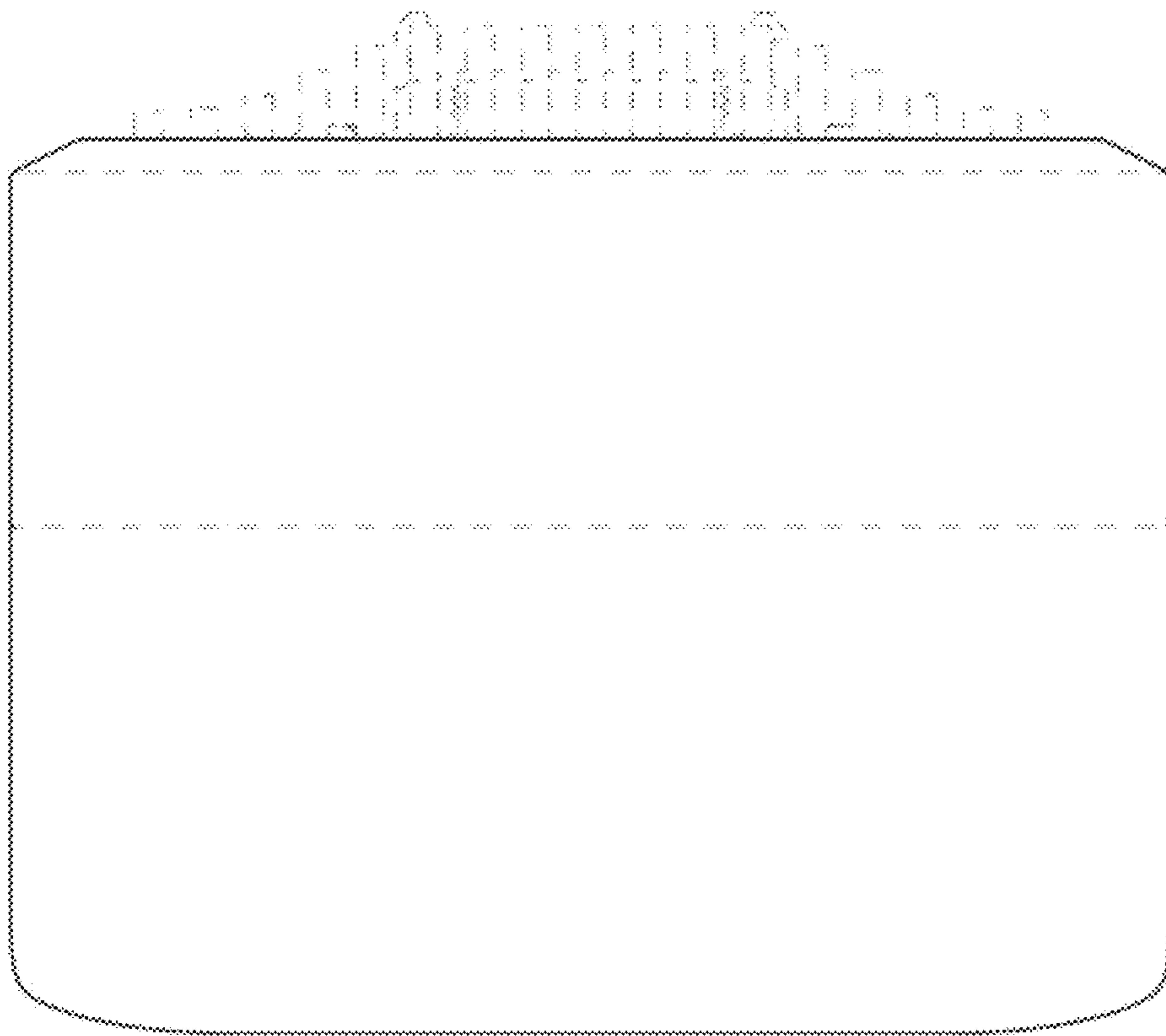


FIG. 6

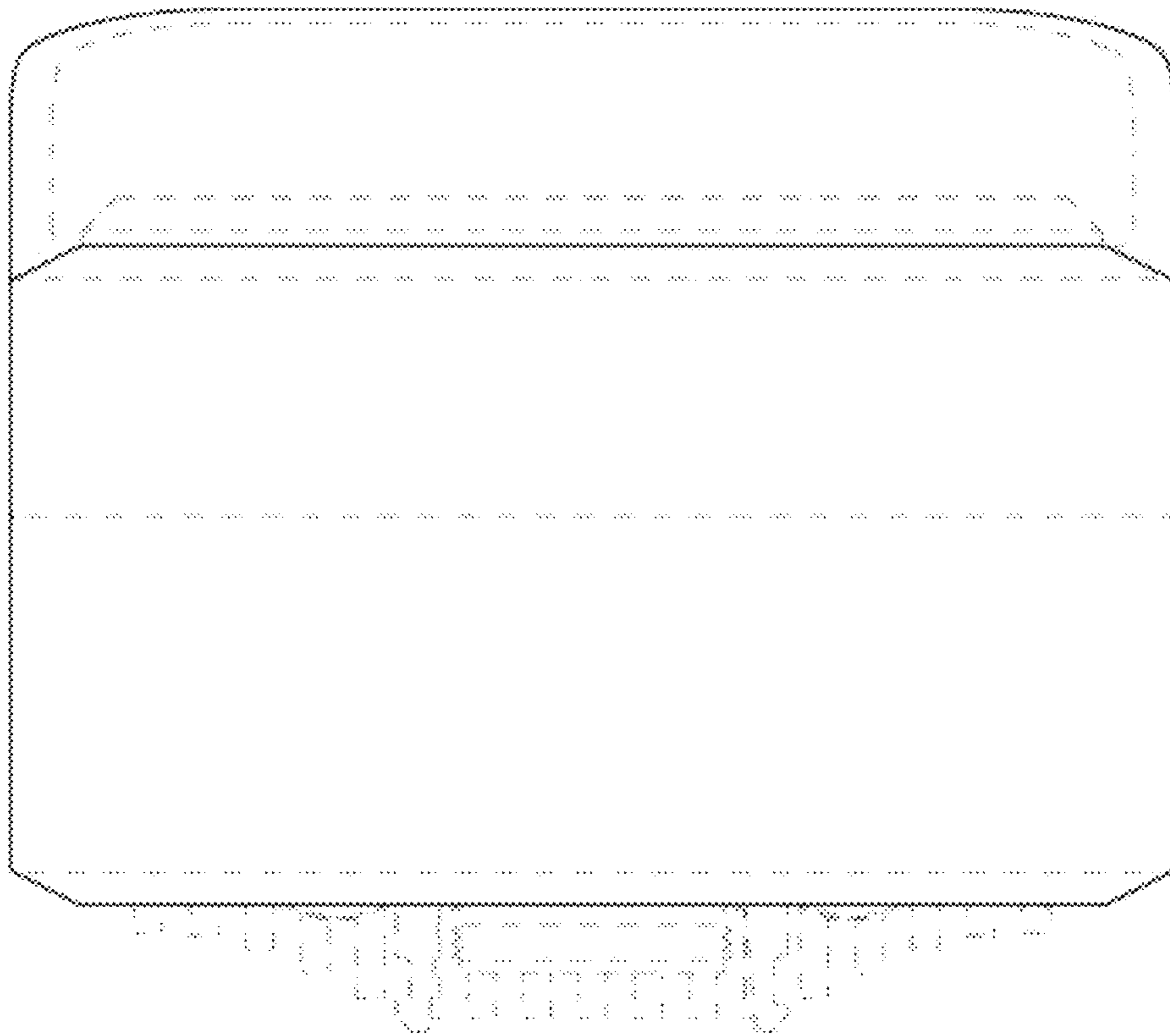


FIG. 7