



US00D957953S

(12) **United States Design Patent** (10) **Patent No.:** **US D957,953 S**  
**Qiu** (45) **Date of Patent:** **\*\* Jul. 19, 2022**

(54) **ELECTRONIC CLOCK**

FOREIGN PATENT DOCUMENTS

(71) Applicant: **Kaijie Qiu**, Guangdong (CN)

CN 201930705507 \* 12/2019  
CN 202130054401.6 \* 1/2021

(72) Inventor: **Kaijie Qiu**, Guangdong (CN)

OTHER PUBLICATIONS

(\*\*) Term: **15 Years**

ZeitHalter 10inch Alarm Clock | amazon.ca; date first available Oct. 1, 2020 [online]. © 1996-2022, Amazon.com, Inc [retrieved Mar. 9, 2022] from Internet: <https://www.amazon.ca/ZEITHALTER-Bedroom-Digital-Display-Brightness/dp/B08GKMTTN5> (Year: 2020).\*

(21) Appl. No.: **29/755,830**

(22) Filed: **Oct. 23, 2020**

(51) **LOC (13) Cl.** ..... **10-01**

(52) **U.S. Cl.**  
USPC ..... **D10/15**

(58) **Field of Classification Search**

USPC ..... D10/1-5, 15, 24-27, 40-41, 46.1;  
D14/170-172, 188, 203.1, 203.3, 203.7  
CPC .... G04G 13/02; G04G 13/021; G04G 13/028;  
G04G 17/00; G04G 17/05; G04G 17/08;  
G04G 17/083; G04G 21/02; G04G  
21/025; H02J 50/00; H02J 50/005; H02J  
50/10; H02J 50/40; H02J 50/402

\* cited by examiner

*Primary Examiner* — Katherine Glennon

See application file for complete search history.

(57) **CLAIM**

The ornamental design for an electronic clock, as shown and described.

(56) **References Cited**

**DESCRIPTION**

U.S. PATENT DOCUMENTS

D320,353 S \* 10/1991 Ilaria ..... D10/26  
D535,306 S \* 1/2007 Tokioka ..... D14/188  
D561,611 S \* 2/2008 Chu ..... D10/15  
D598,300 S \* 8/2009 Sadler ..... D10/2  
D613,619 S \* 4/2010 Yang ..... D10/26  
9,310,778 B1 \* 4/2016 Gancz ..... G04G 13/025  
D815,057 S \* 4/2018 Holzer ..... D10/2  
D845,149 S \* 4/2019 Yu ..... D10/15  
D858,478 S \* 9/2019 Chen ..... D14/138 G  
D875,567 S \* 2/2020 Kim ..... D10/46.1  
D895,441 S \* 9/2020 Yu ..... D10/2  
D914,520 S \* 3/2021 Yu ..... D10/15  
2012/0106304 A1 \* 5/2012 Strauser ..... G06F 1/1632  
361/679.01

FIG. 1 is a perspective view of an electronic clock showing my new design;

FIG. 2 is a front elevational view thereof;

FIG. 3 is a rear elevational view thereof;

FIG. 4 is a left side elevational view thereof;

FIG. 5 is a right side elevational view thereof;

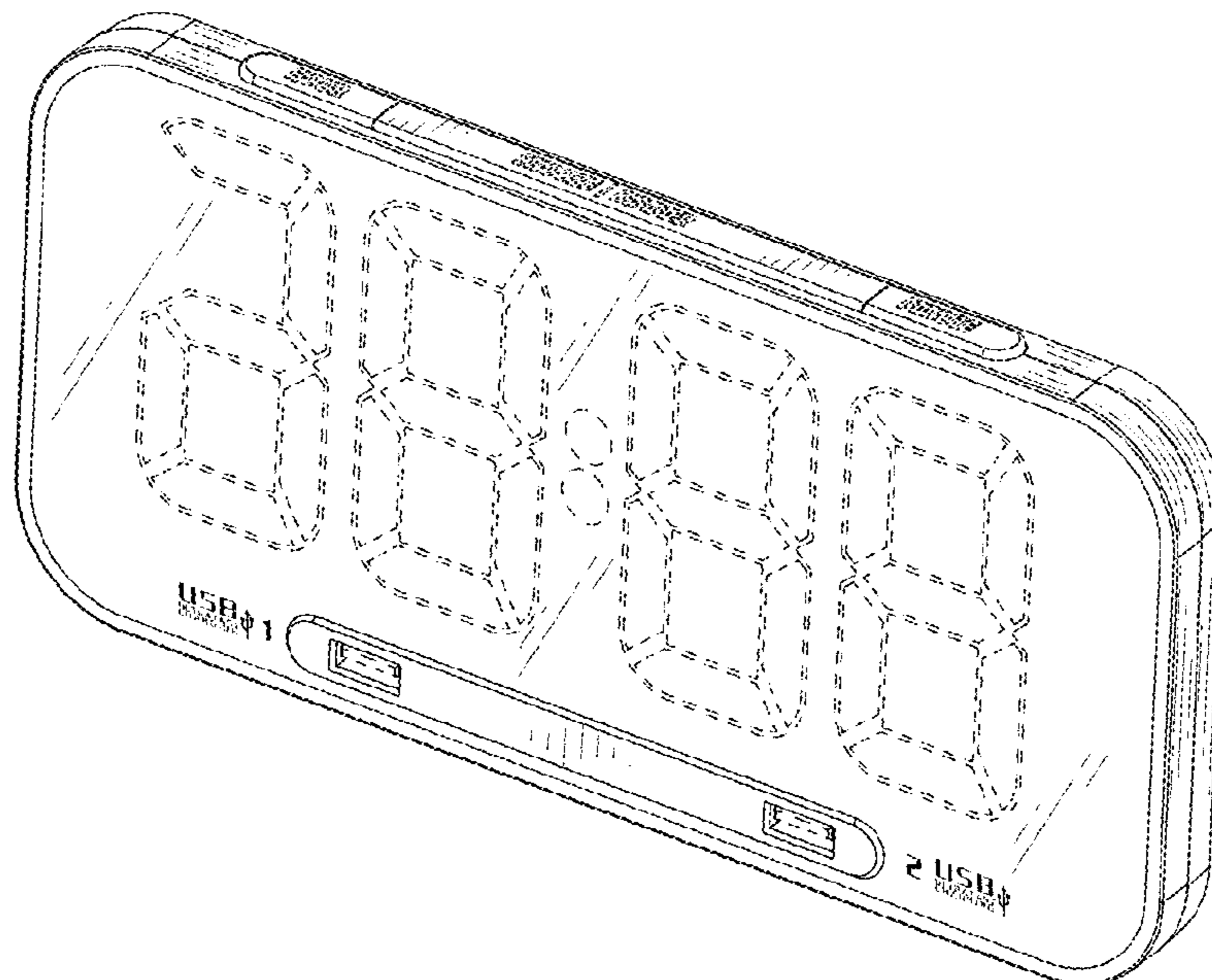
FIG. 6 is a top plan view thereof;

FIG. 7 is a bottom plan view thereof; and,

FIG. 8 is another perspective view thereof.

The broken lines throughout the drawing figures depict portions of the electronic clock that form no part of the claimed design.

**1 Claim, 8 Drawing Sheets**



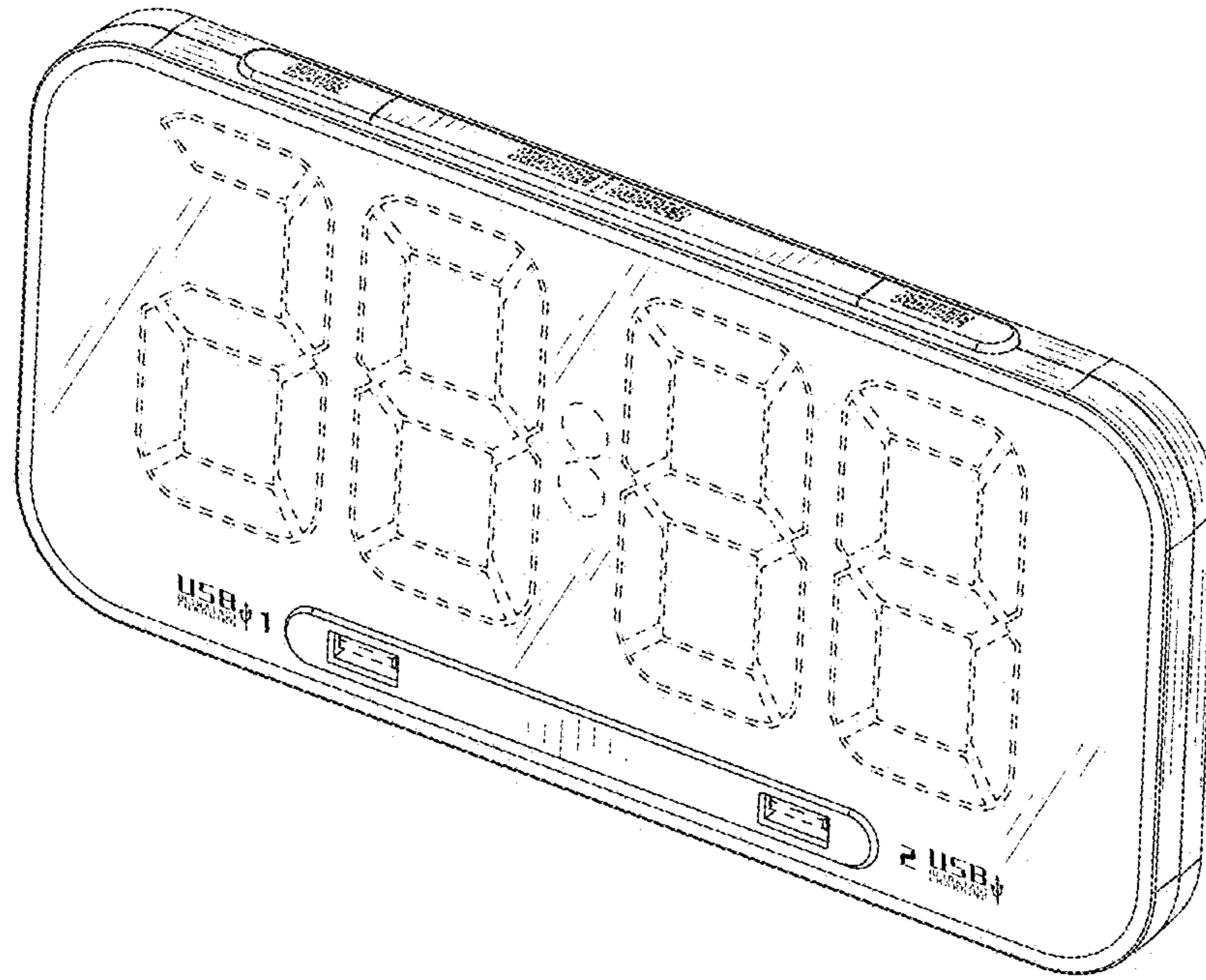


FIG.1

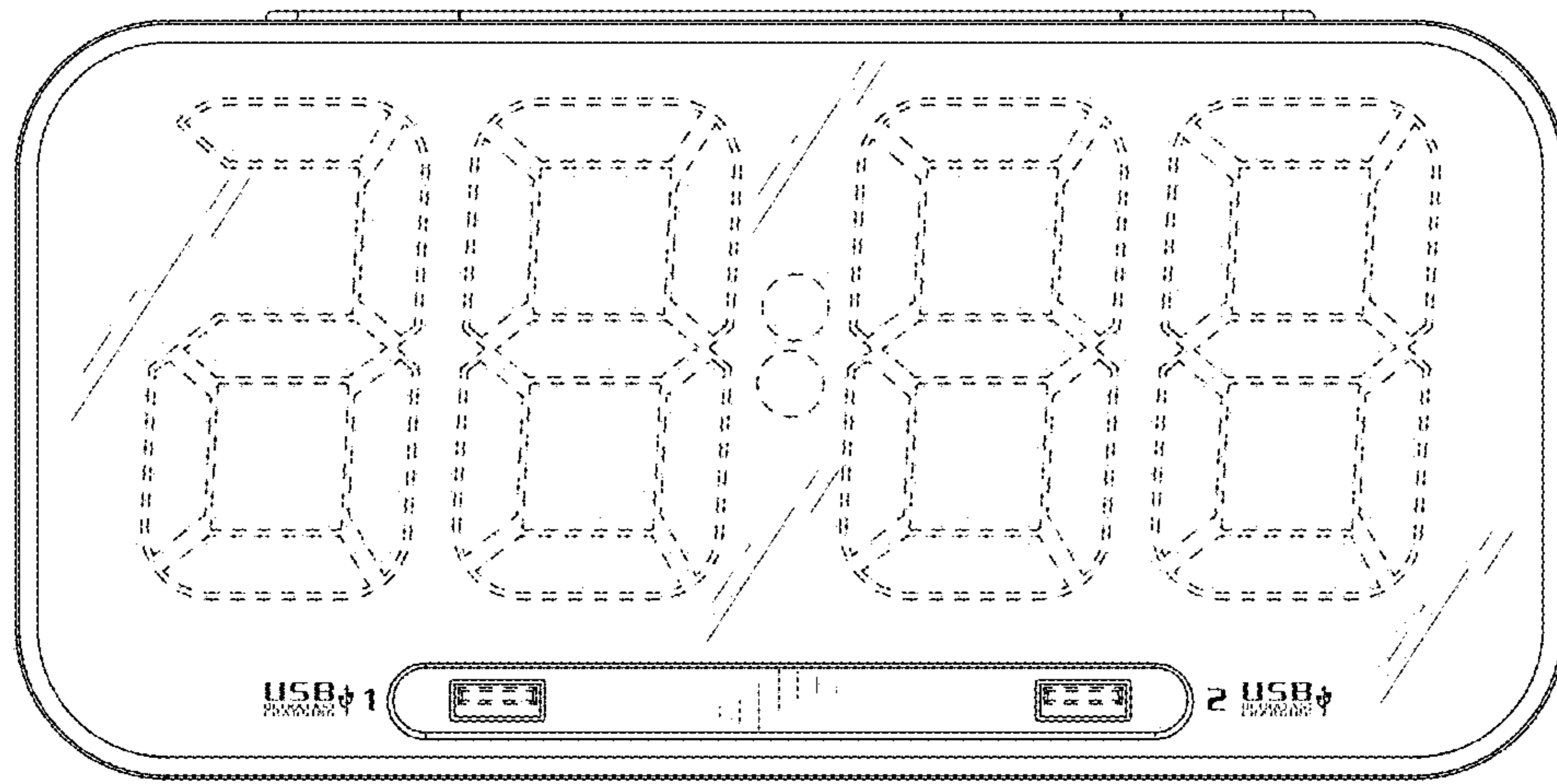


FIG.2

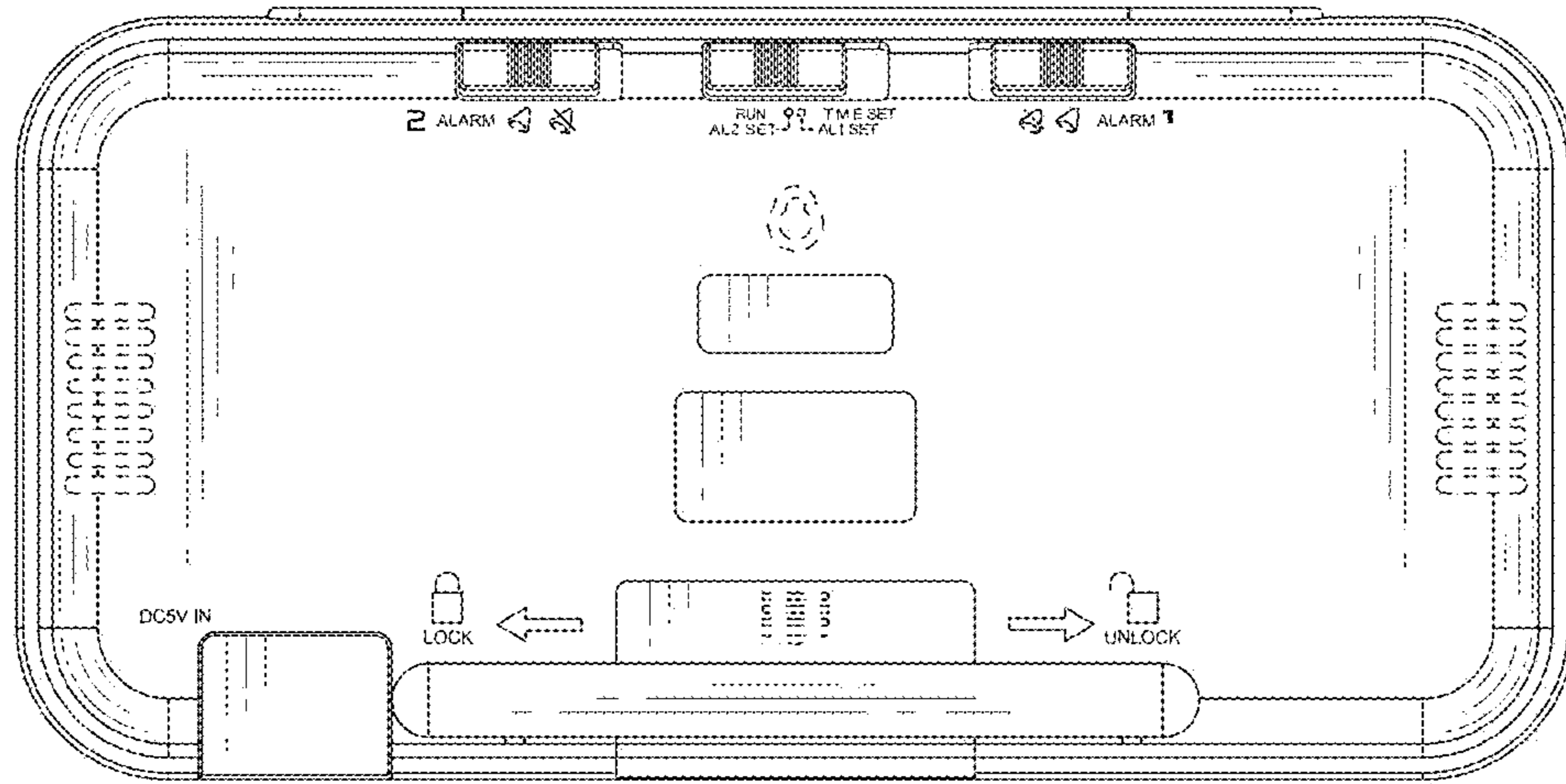


FIG.3

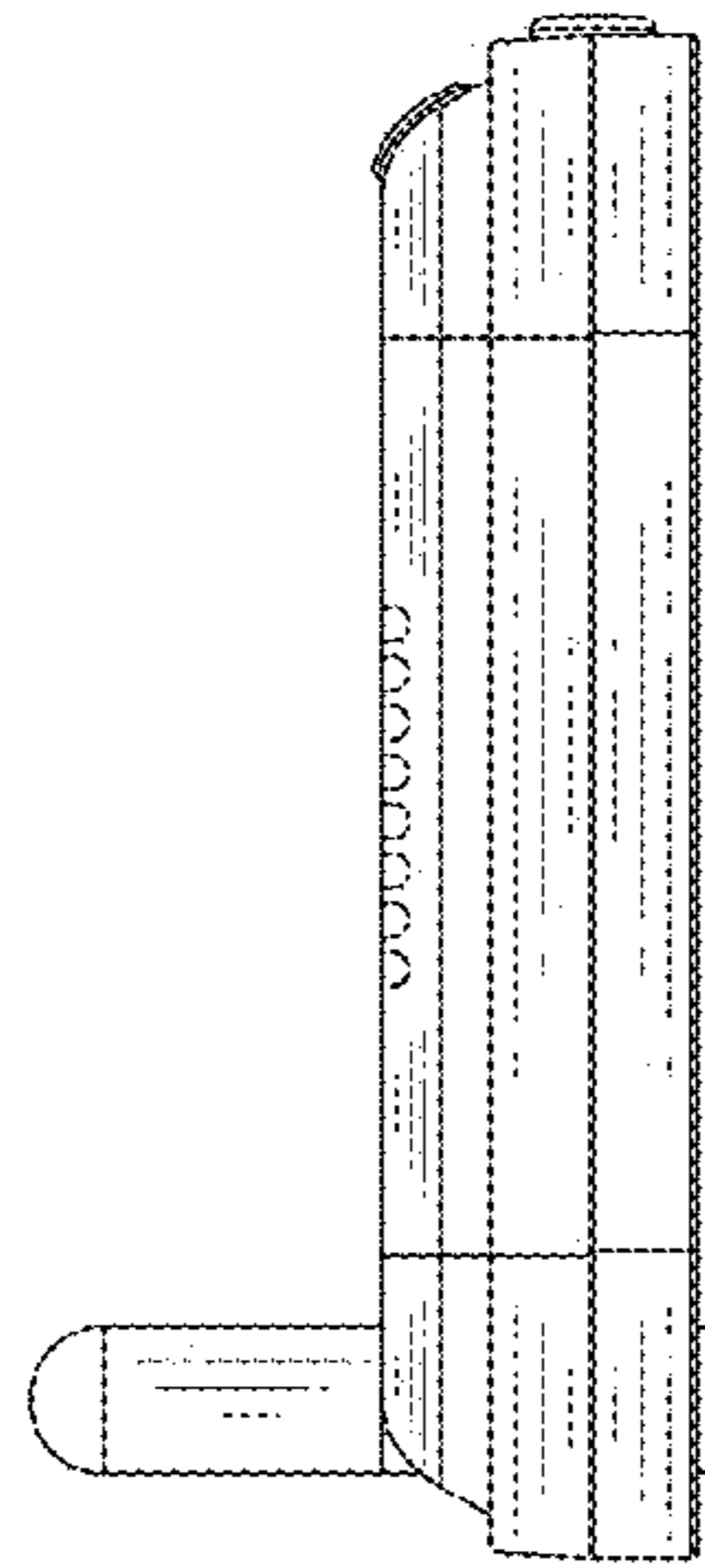


FIG.4

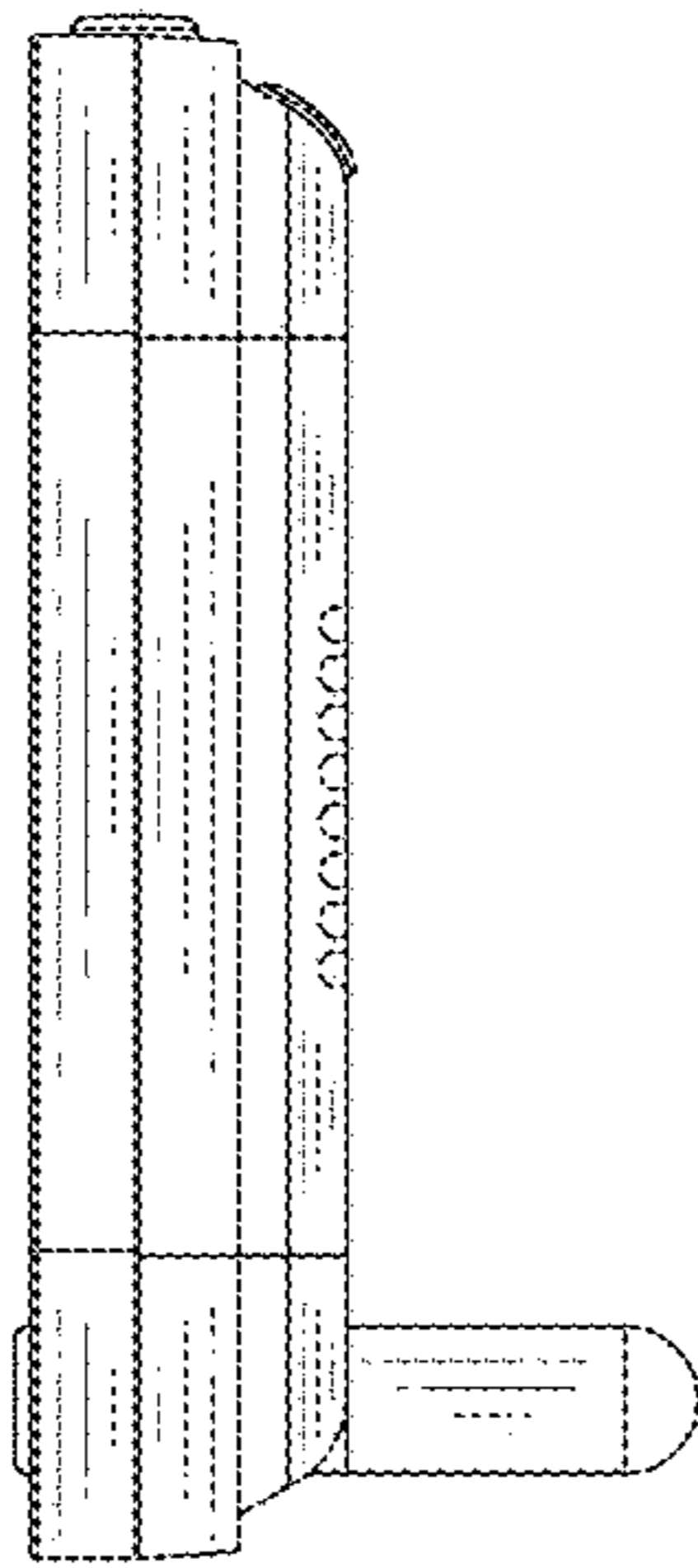


FIG.5

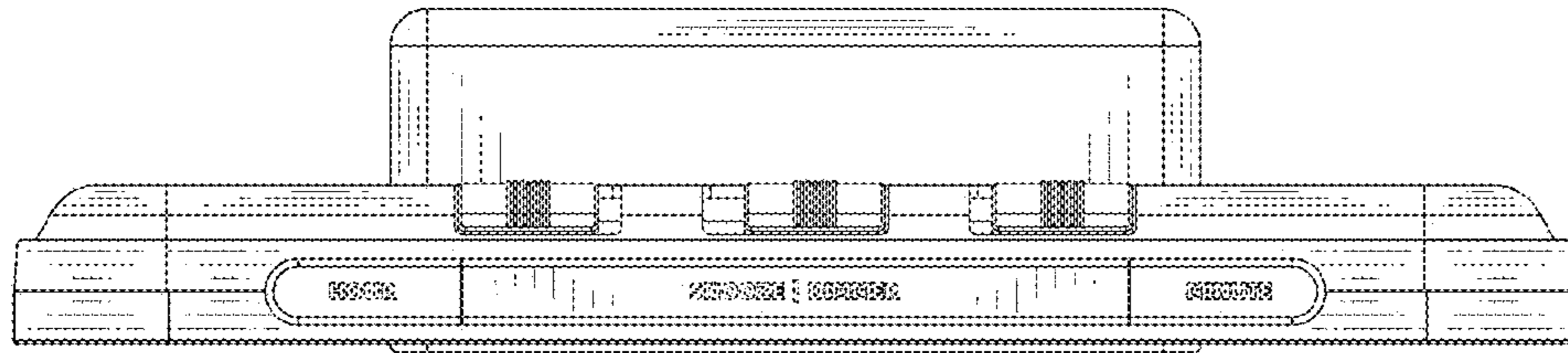


FIG.6

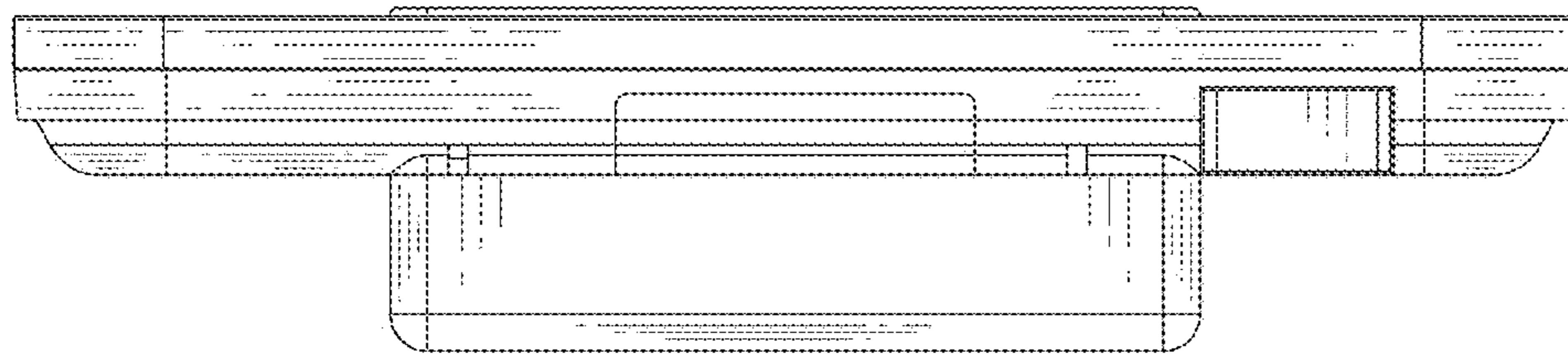


FIG.7



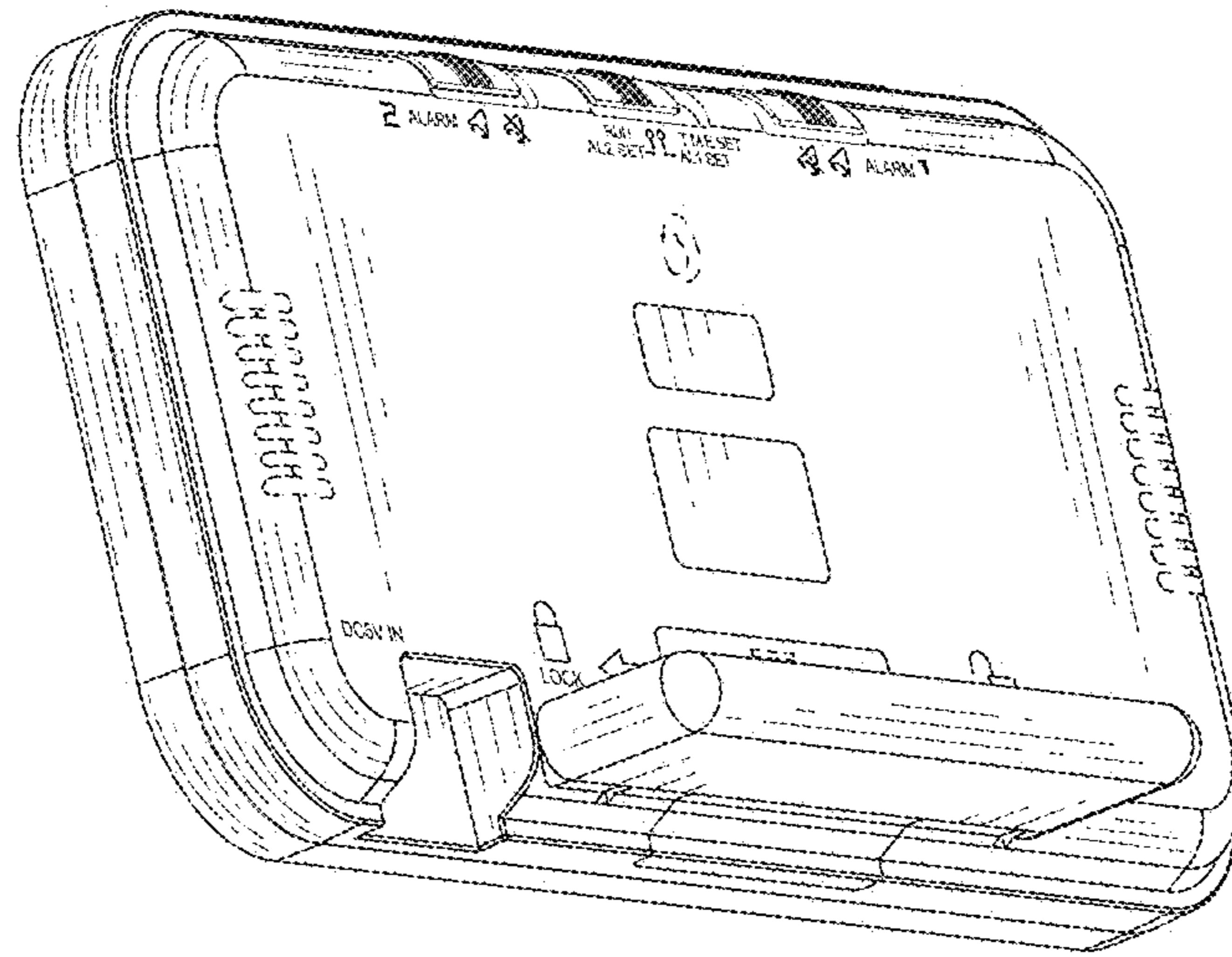


FIG.8