



US00D957952S

(12) **United States Design Patent** (10) **Patent No.:** **US D957,952 S**  
**Zou** (45) **Date of Patent:** **\*\* Jul. 19, 2022**

(54) **LED PROJECTION CLOCK**  
(71) Applicant: **XIAMEN KING HEIGHT ELECTRONIC CO., LTD**, Xiamen (CN)  
(72) Inventor: **Zhixiong Zou**, Longyan (CN)  
(73) Assignee: **XIAMEN KING HEIGHT ELECTRONIC CO., LTD**, Xiamen (CN)

D409,500 S \* 5/1999 Hargrove, III ..... D10/15  
D565,594 S \* 4/2008 Poandl ..... D14/496  
D567,673 S 4/2008 Chu et al.  
(Continued)

**FOREIGN PATENT DOCUMENTS**

CA 2792438 A1 \* 4/2014 ..... G04B 19/34  
CN 201730493523.9 \* 10/2017  
(Continued)

**OTHER PUBLICATIONS**

Amazon, Magnasonic Charging Projection Alarm Clock, posted Jul. 21, 2014, [online], [visited May 24, 2022]. Internet, <URL: https://www.amazon.co.uk/Magnasonic-Charging-Projection-Smartphones-EAAC475W-White-LED/dp/B00LZUN800/ref?th=1> (Year: 2014).\*  
(Continued)

*Primary Examiner* — Samantha Wood

(57) **CLAIM**

The ornamental design for an LED projection clock, as shown and described.

**DESCRIPTION**

FIG. 1 is a perspective view of an LED projection clock showing my new design;  
FIG. 2 is another perspective view thereof;  
FIG. 3 is a front elevational view thereof;  
FIG. 4 is a rear elevational view thereof;  
FIG. 5 is a left side elevational view thereof;  
FIG. 6 is a right side elevational view thereof;  
FIG. 7 is a top plan view thereof;  
FIG. 8 is a bottom plan view thereof; and,  
FIG. 9 is an enlarged view of portion 9 shown in FIG. 2.  
The dash-dash broken lines in the drawings depict portions of the LED projection clock that form no part of the claimed design. The dot-dash broken lines represent boundaries of the enlarged portion and form no part of the claimed design.

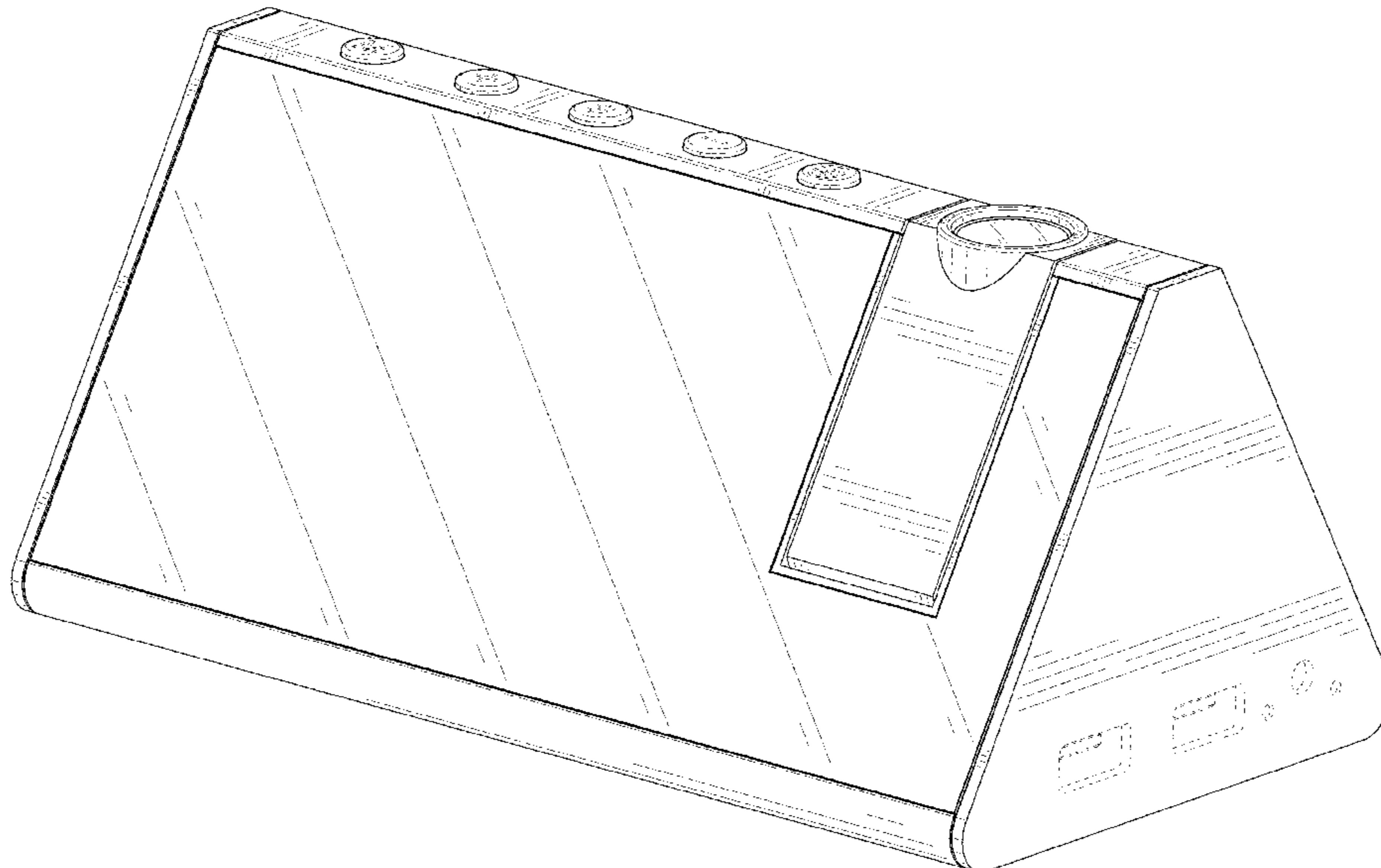
**1 Claim, 9 Drawing Sheets**

(\*\*) Term: **15 Years**  
(21) Appl. No.: **29/803,003**  
(22) Filed: **Aug. 10, 2021**  
(51) **LOC (13) Cl.** ..... **10-01**  
(52) **U.S. Cl.**  
USPC ..... **D10/5**  
(58) **Field of Classification Search**  
USPC ..... D10/1, 2, 3, 4, 5, 14, 15, 21, 27, 29  
CPC ..... G04C 3/008; G04C 3/001; G04C 23/04;  
G04C 23/00; G04C 23/02; G04C 23/021;  
G04C 23/025; G04C 23/08; G04C 19/02;  
G04C 17/00; G04B 19/00; G04B 19/32;  
G04B 19/30; G04B 19/34  
See application file for complete search history.

(56) **References Cited**

**U.S. PATENT DOCUMENTS**

2,652,745 A \* 9/1953 Quinn ..... G04B 19/34  
368/79  
D234,578 S \* 3/1975 Powers ..... D10/15  
D235,137 S \* 5/1975 Muir ..... D10/15  
D245,765 S \* 9/1977 Yoshida ..... D10/2  
D254,980 S \* 5/1980 White ..... D13/184  
D263,124 S \* 2/1982 Dennis ..... D10/15  
D297,816 S \* 9/1988 Dawson, Jr. .... D10/15  
D310,032 S \* 8/1990 Murata ..... D10/15  
D311,141 S \* 10/1990 Murata ..... D10/15



(56)

References Cited

U.S. PATENT DOCUMENTS

D594,845 S \* 6/2009 Skurdal ..... D10/2  
 D619,116 S \* 7/2010 Skurdal ..... D10/2  
 D698,338 S \* 1/2014 Ingham ..... D14/218  
 D737,250 S \* 8/2015 Ingham ..... D14/218  
 D751,925 S \* 3/2016 Poandl ..... D10/15  
 D784,828 S \* 4/2017 Silvera ..... D10/21  
 D875,553 S \* 2/2020 Yu ..... D10/2  
 D912,531 S 3/2021 Yu  
 D916,045 S \* 4/2021 Wu ..... D14/204  
 2020/0241478 A1 \* 7/2020 Ostler ..... G04C 23/42

FOREIGN PATENT DOCUMENTS

CN 201830537745.0 \* 9/2018  
 CN 202030725671.0 \* 11/2020  
 CN 202130122283.8 \* 3/2021

CN 213750678 U \* 7/2021  
 CN 202130536453.7 \* 8/2021  
 CN 202130733993.4 \* 11/2021  
 CN 202130752763.2 \* 11/2021  
 CN 216052628 U \* 3/2022  
 JP D2021-00738 \* 1/2021  
 WO WO-9007899 A1 \* 1/1989

OTHER PUBLICATIONS

Amazon, Oct. 17 Wooden Alarm Clock, posted Dec. 19, 2017, [online], [visited May 24, 2022]. Internet, <URL: <https://www.amazon.co.uk/Oct17-Temperature-Adjustable-Brightness-Displaying/dp/B078HTW8K1/ref?th=1>> (Year: 2017).\*

Amazon, Netzu Alarm Clock Beside with Night Light, posted Feb. 2, 2021, [online], [visited May 24, 2022]. Internet, <URL: <https://www.amazon.co.uk/dp/B08VN6N6XC/ref?th=1>> (Year: 2021).\*

\* cited by examiner

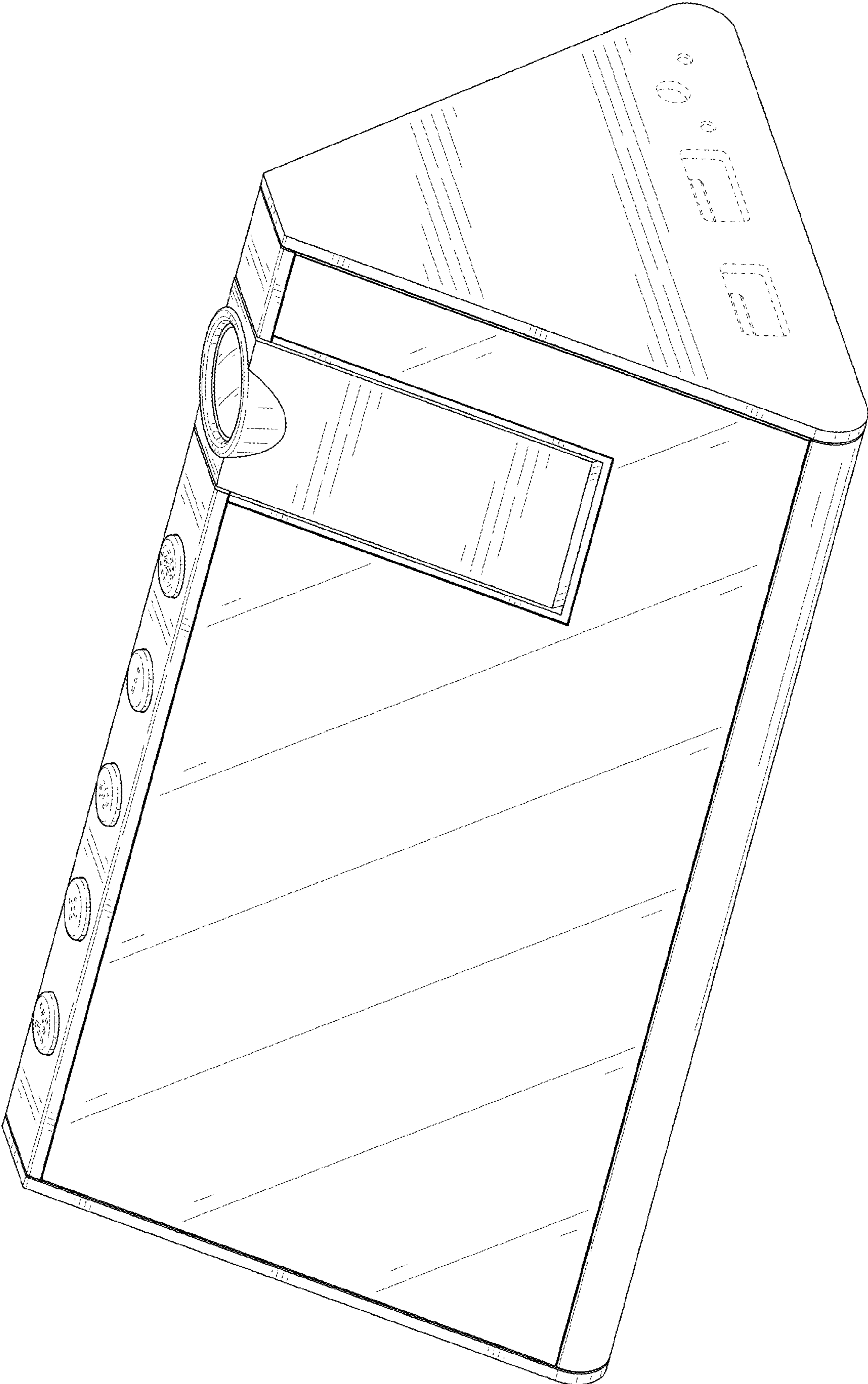


FIG. 1

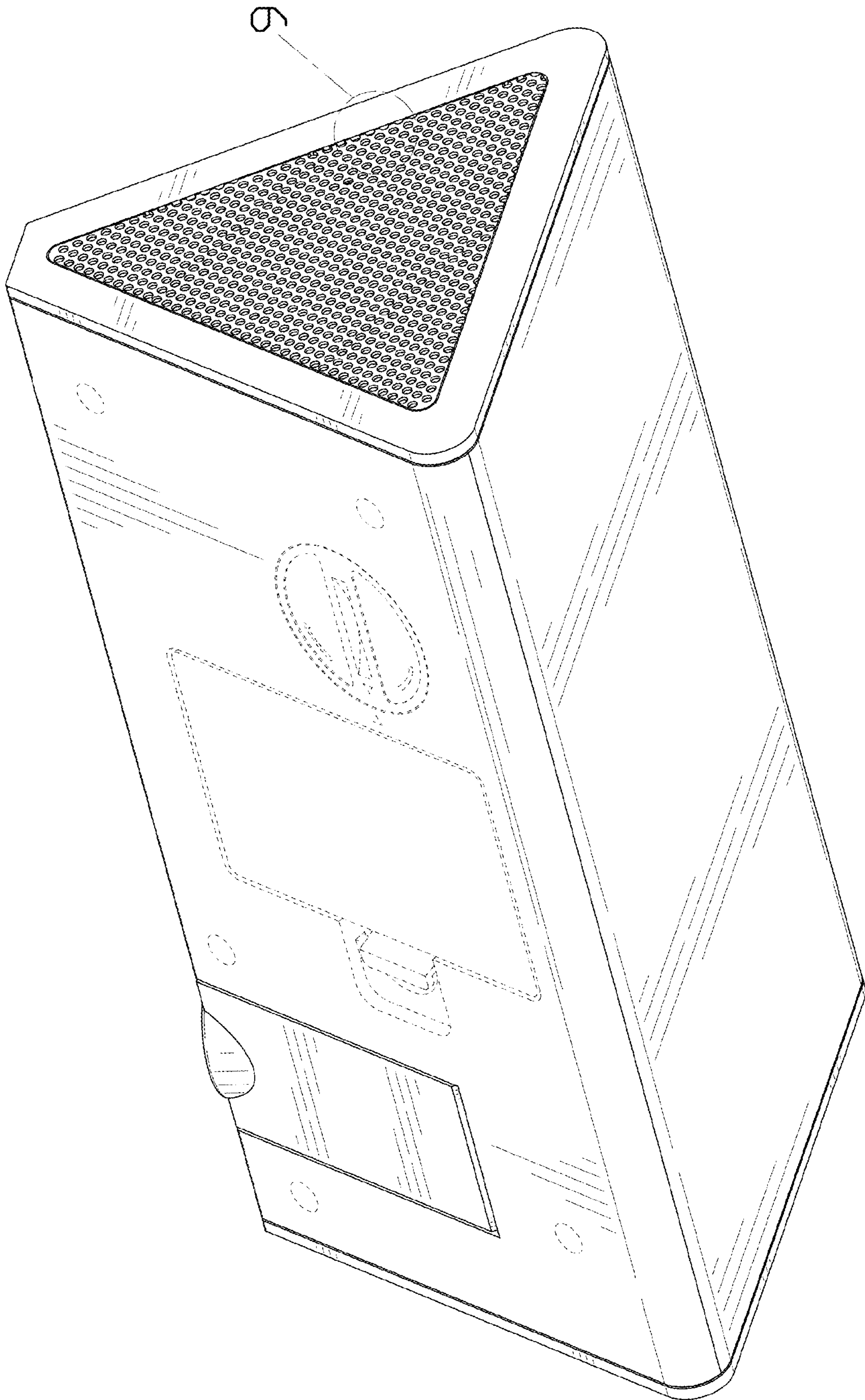


FIG. 2

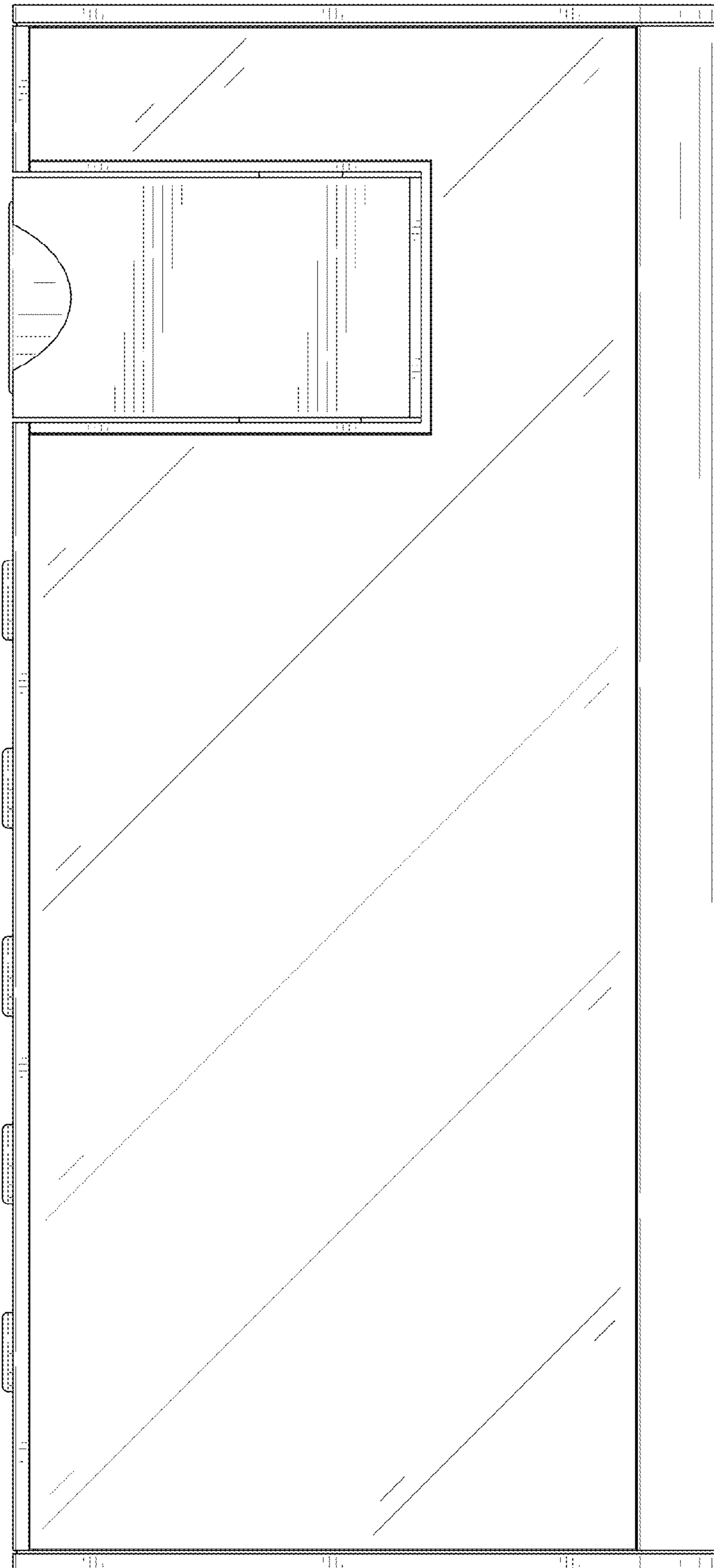


FIG. 3

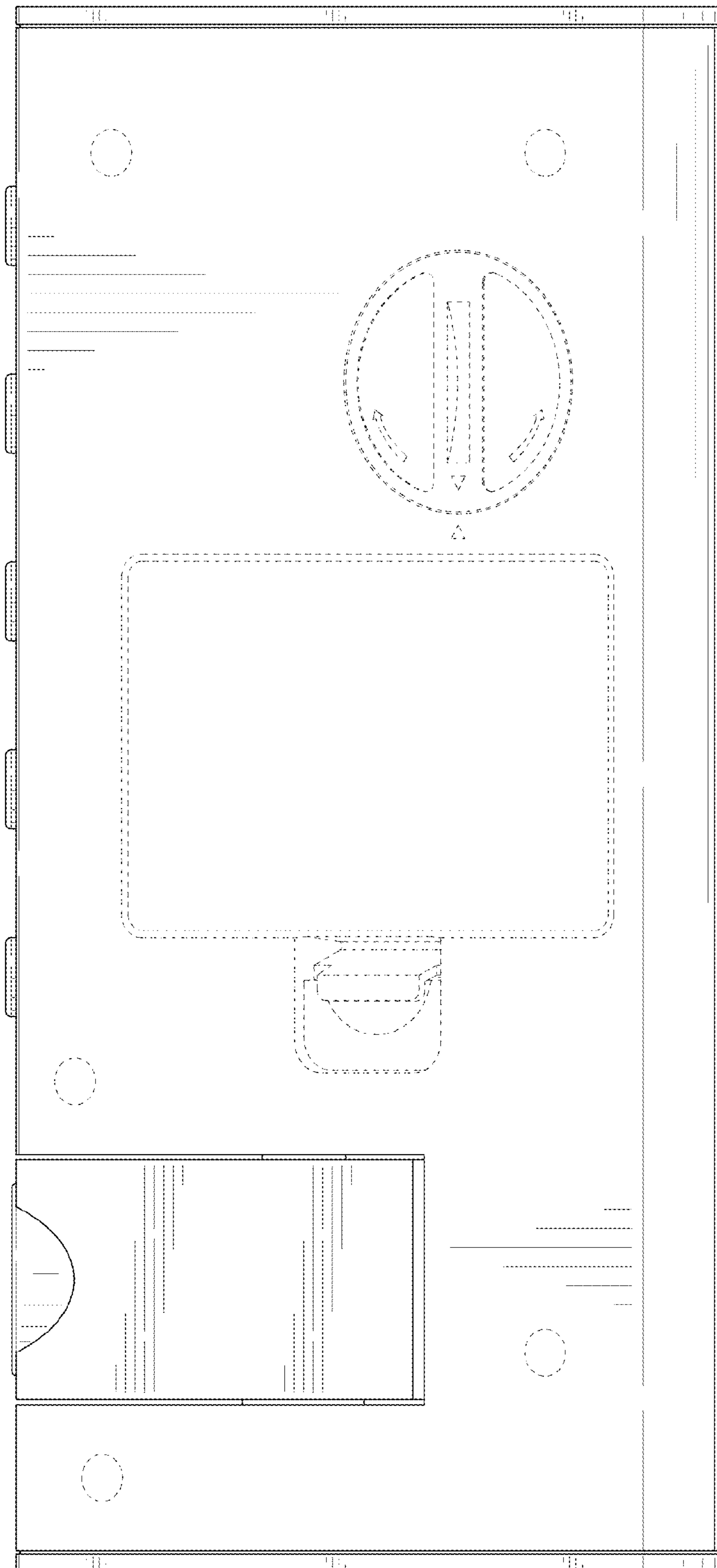


FIG. 4

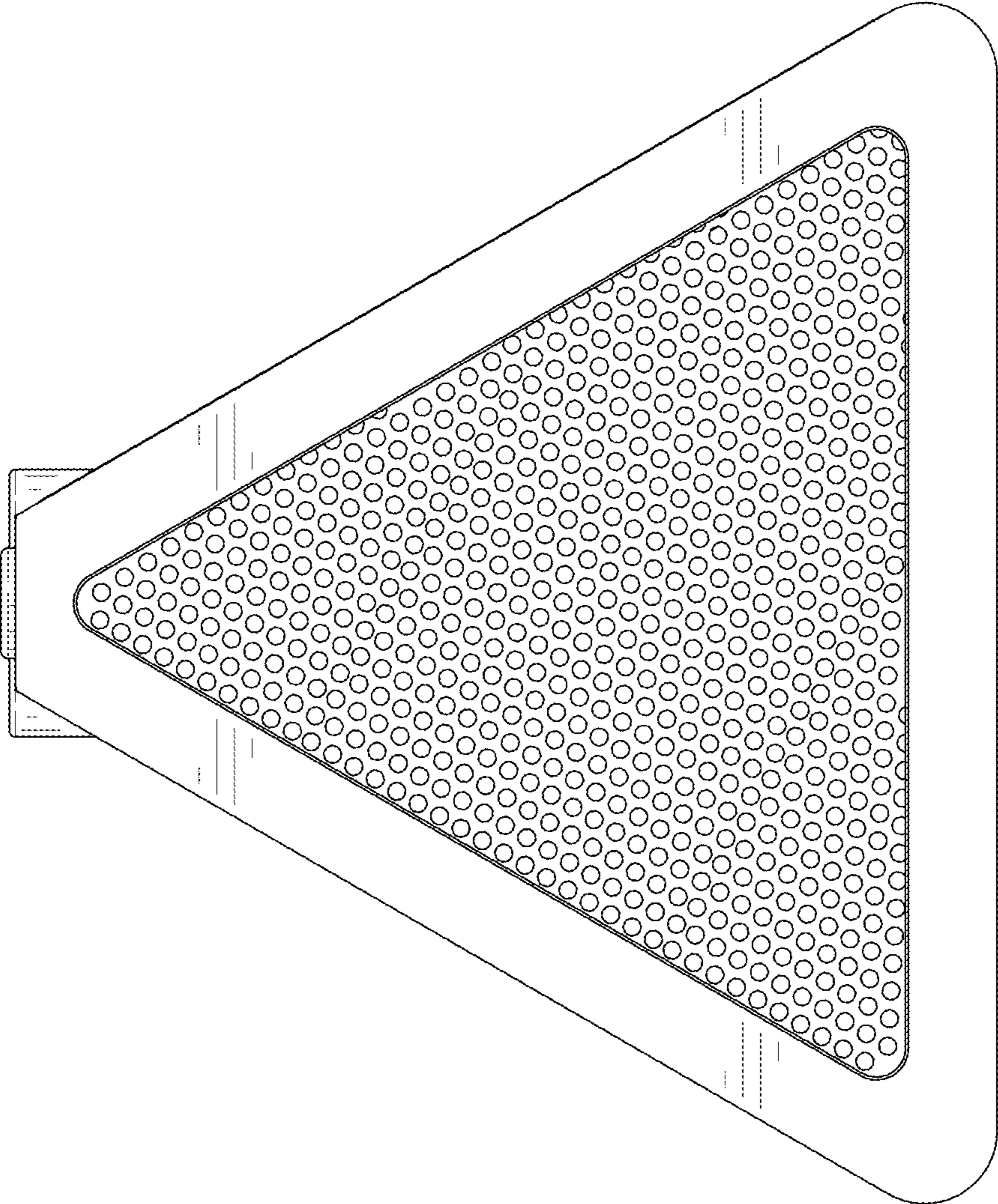


FIG. 5

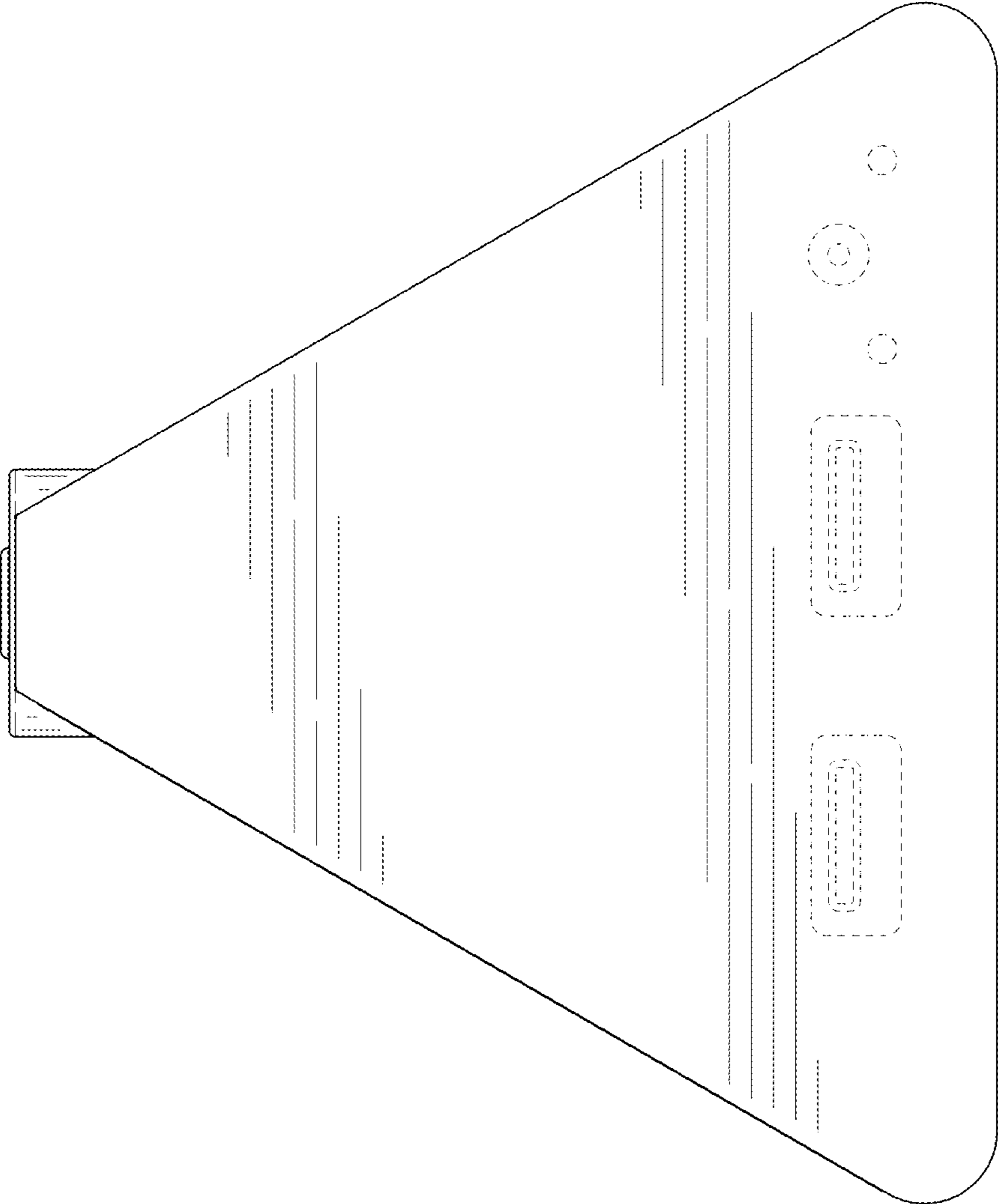


FIG. 6



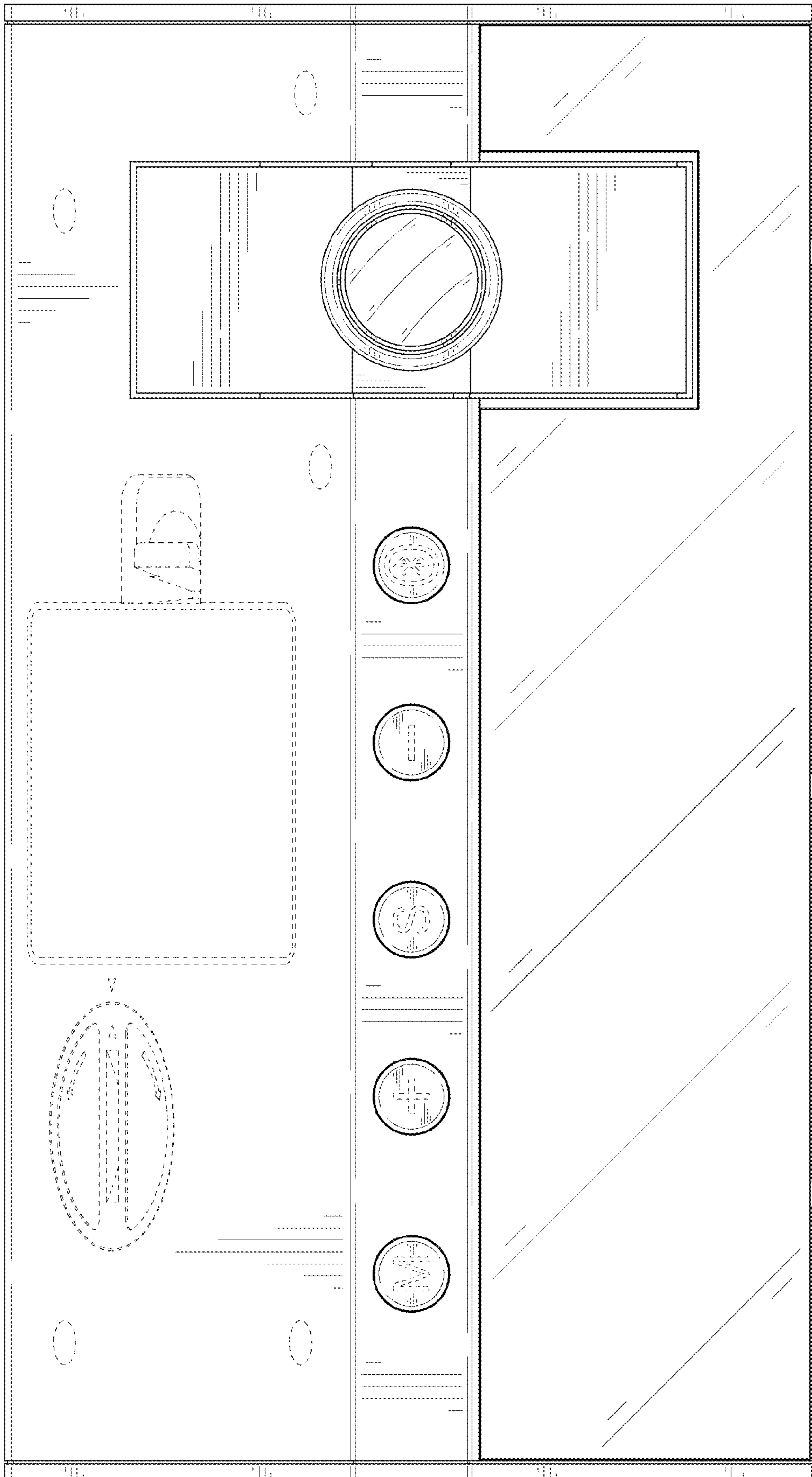


FIG. 7

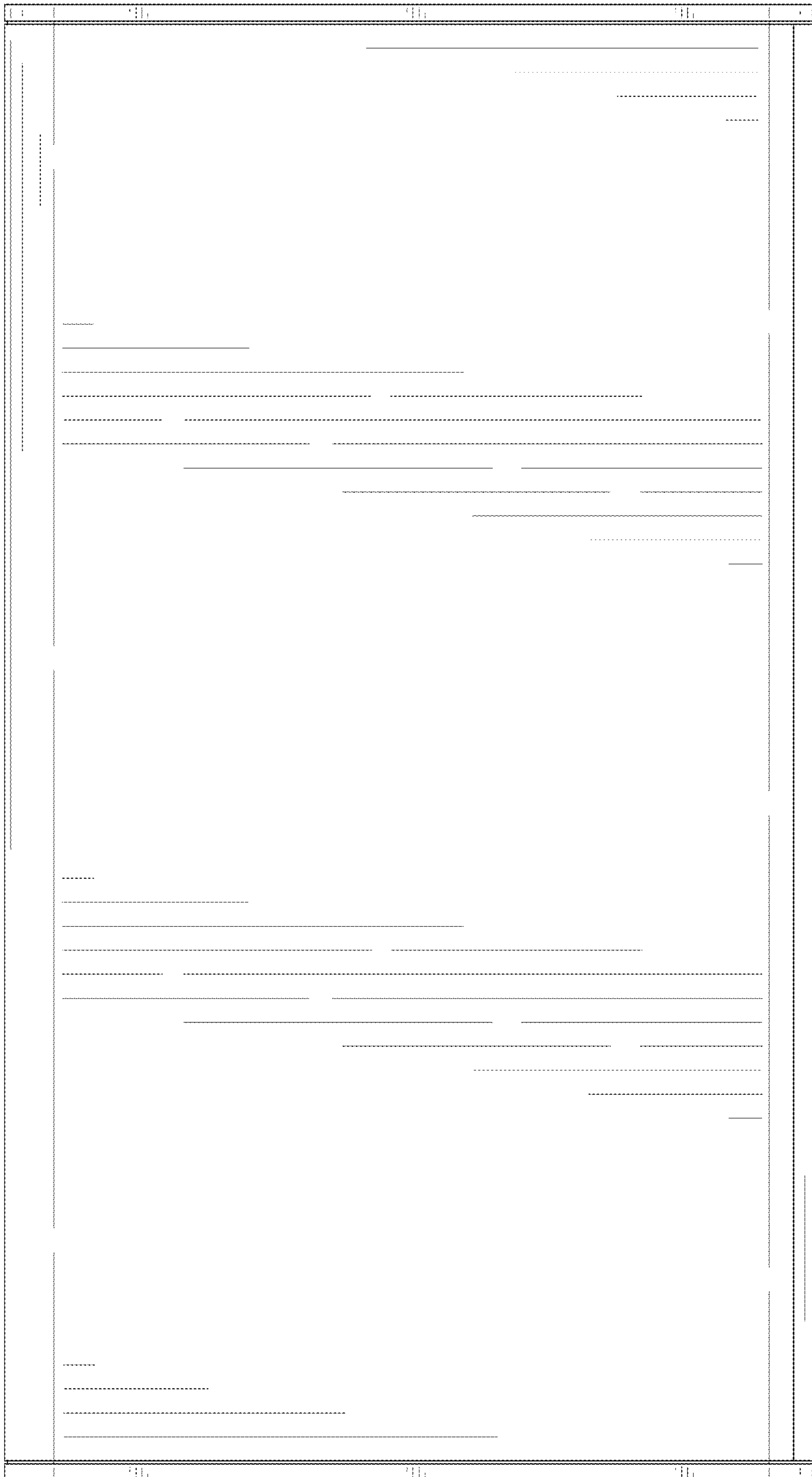


FIG. 8

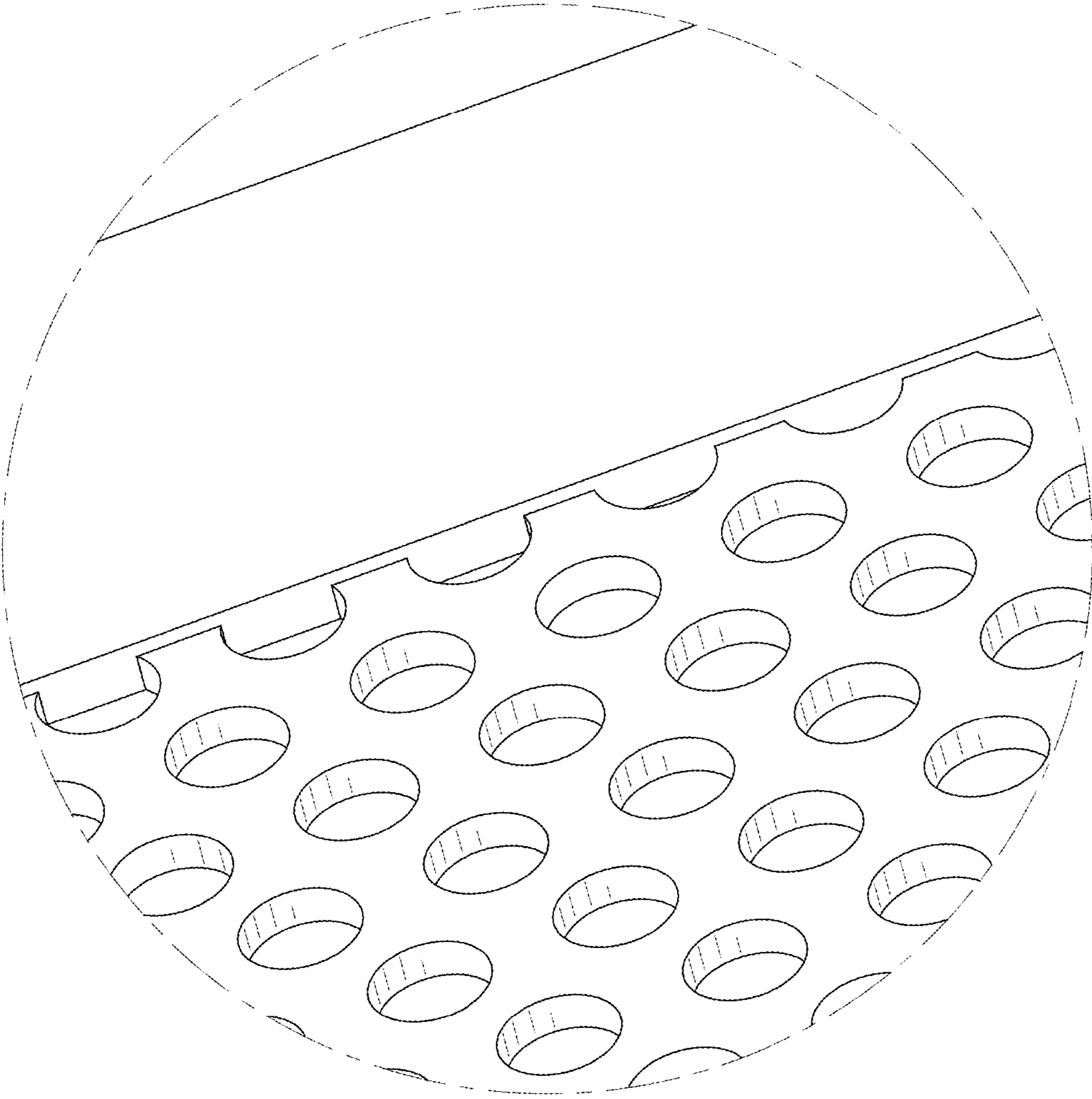


FIG. 9