



US00D957949S

(12) **United States Design Patent** (10) **Patent No.:** **US D957,949 S**
Park (45) **Date of Patent:** **** Jul. 19, 2022**

(54) **REUSABLE GIFT BAG**
(71) Applicant: **Tokki LLC**, Seattle, WA (US)
(72) Inventor: **Jane Park**, Seattle, WA (US)
(73) Assignee: **Tokki, LLC**, Seattle, WA (US)
(**) Term: **15 Years**

D700,063 S * 2/2014 Torang D9/703
D942,869 S * 2/2022 Ülker D9/713

* cited by examiner

Primary Examiner — Abraham Bahta
(74) *Attorney, Agent, or Firm* — Tsircou Law, P.C.

(21) Appl. No.: **29/750,822**
(22) Filed: **Sep. 16, 2020**
(51) **LOC (13) Cl.** **09-05**
(52) **U.S. Cl.**
USPC **D9/702**
(58) **Field of Classification Search**
USPC D9/702-714; D5/1-4, 7, 11, 12, 19, 23,
D5/25, 39, 43, 46, 47-48, 50-61;
D6/585, 612-613, 622, 617, 594, 596,
D6/601, 602-603, 608; D19/1, 5;
D25/138, 157, 158, 160; 28/143, 150,
28/160, 163; 428/32, 66.5, 91
CPC F41H 3/02; A47L 13/16; D03D 15/0033;
D06C 23/00; D05C 17/00; B44C 5/0469;
A47G 23/03; A47G 23/0303
See application file for complete search history.

(57) **CLAIM**

The ornamental design for a reusable gift bag, as shown and described.

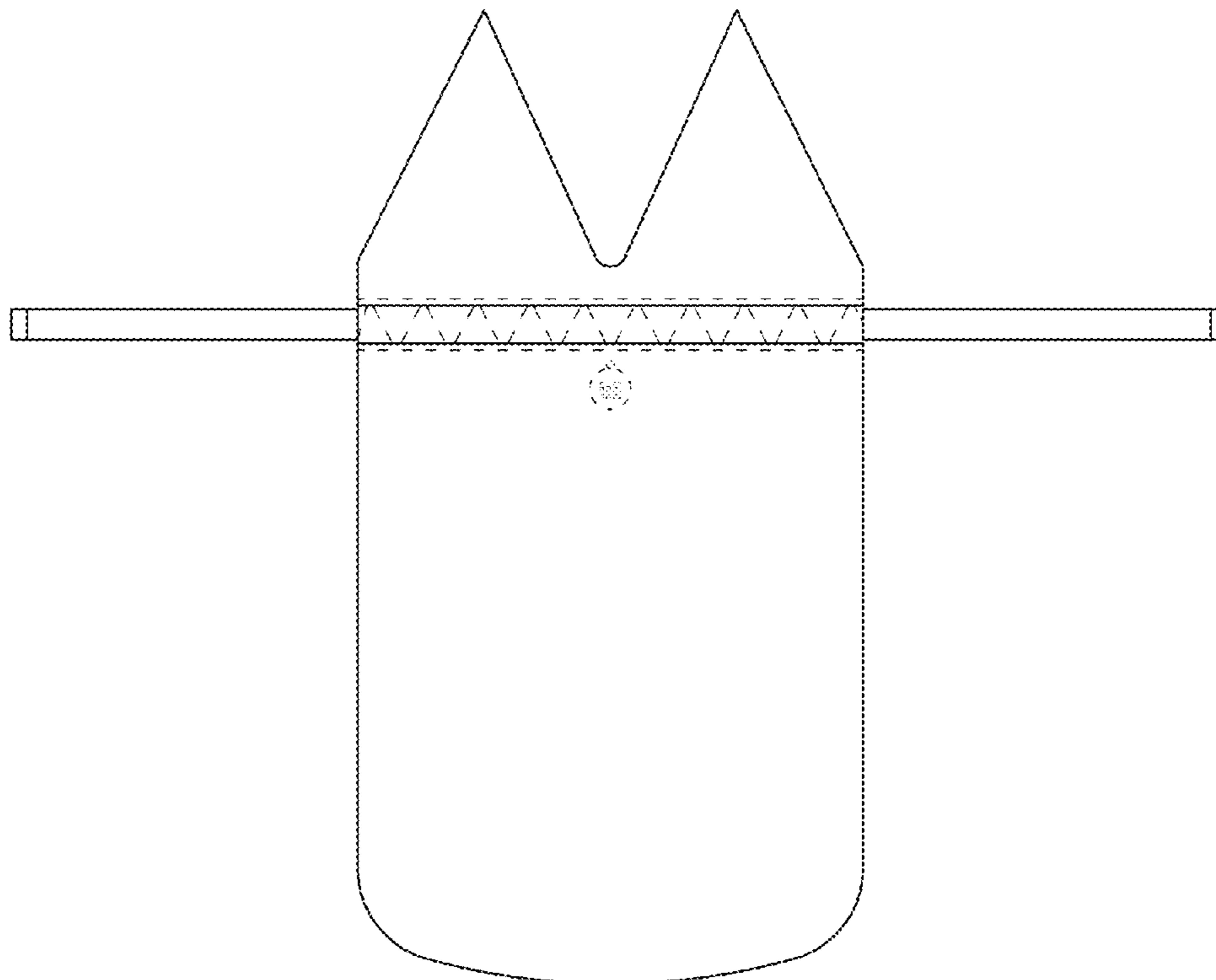
DESCRIPTION

FIG. 1 a front view of a reusable gift bag accordance with the new design, depicting the bag empty and laid flat, the bag includes a drawstring and four triangular portions disposed about a bag opening.
FIG. 2 is a back view thereof;
FIG. 3 is a front perspective view of the reusable gift bag of FIG. 1, depicting the bag having a gift therein and with the drawstring tied.
FIG. 4 is a back perspective thereof;
FIG. 5 is a first side perspective thereof;
FIG. 6 is a second side perspective view thereof;
FIG. 7 is a top view thereof; and,
FIG. 8 is a bottom view thereof.
The dashed lines depict environmental aspects and the shape of the gift within the gift bag form no part of the claimed design.

(56) **References Cited**
U.S. PATENT DOCUMENTS

D326,002 S * 5/1992 Rodriguez D9/706
D640,933 S * 7/2011 Gallagher D9/706

1 Claim, 7 Drawing Sheets



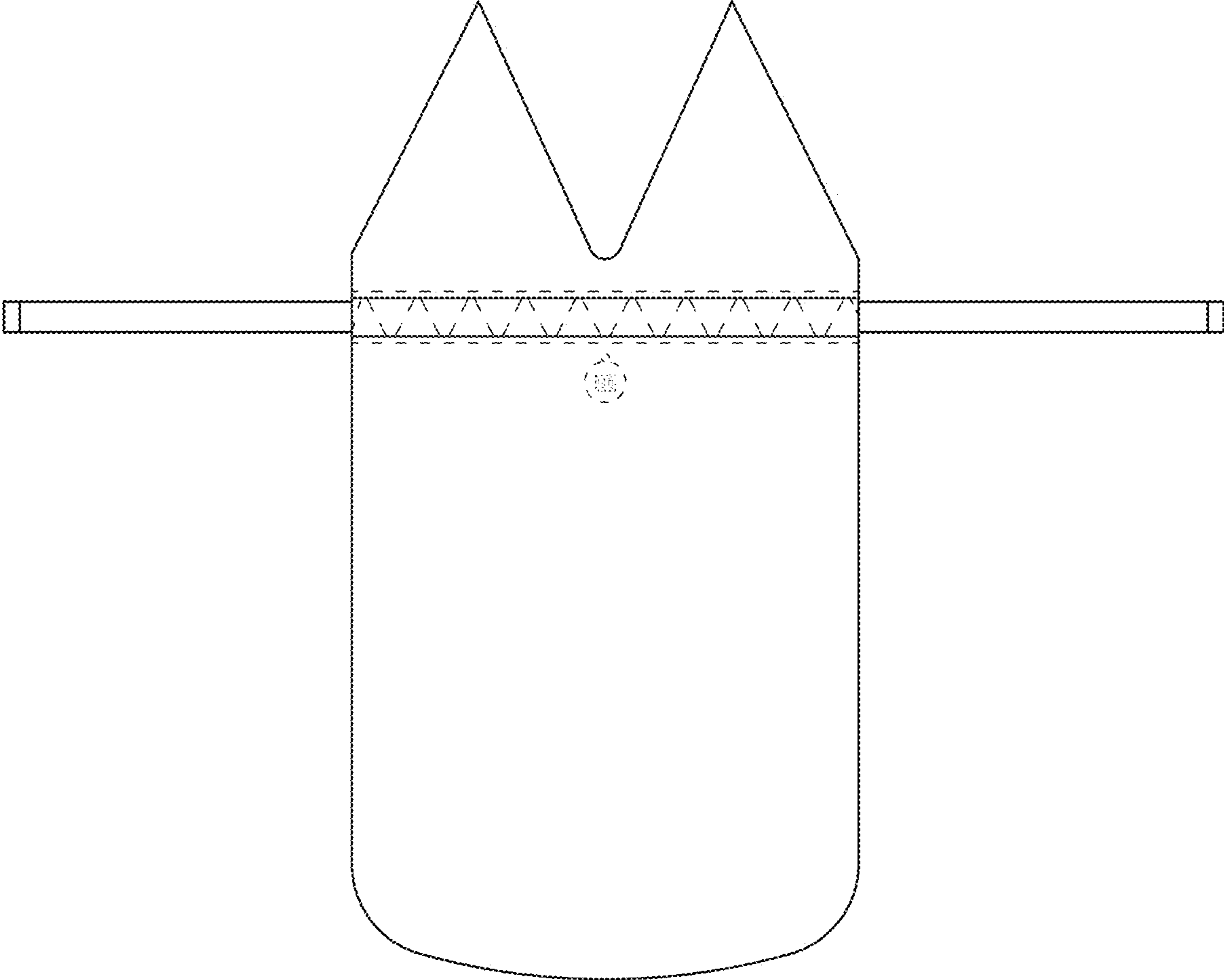


FIG. 1

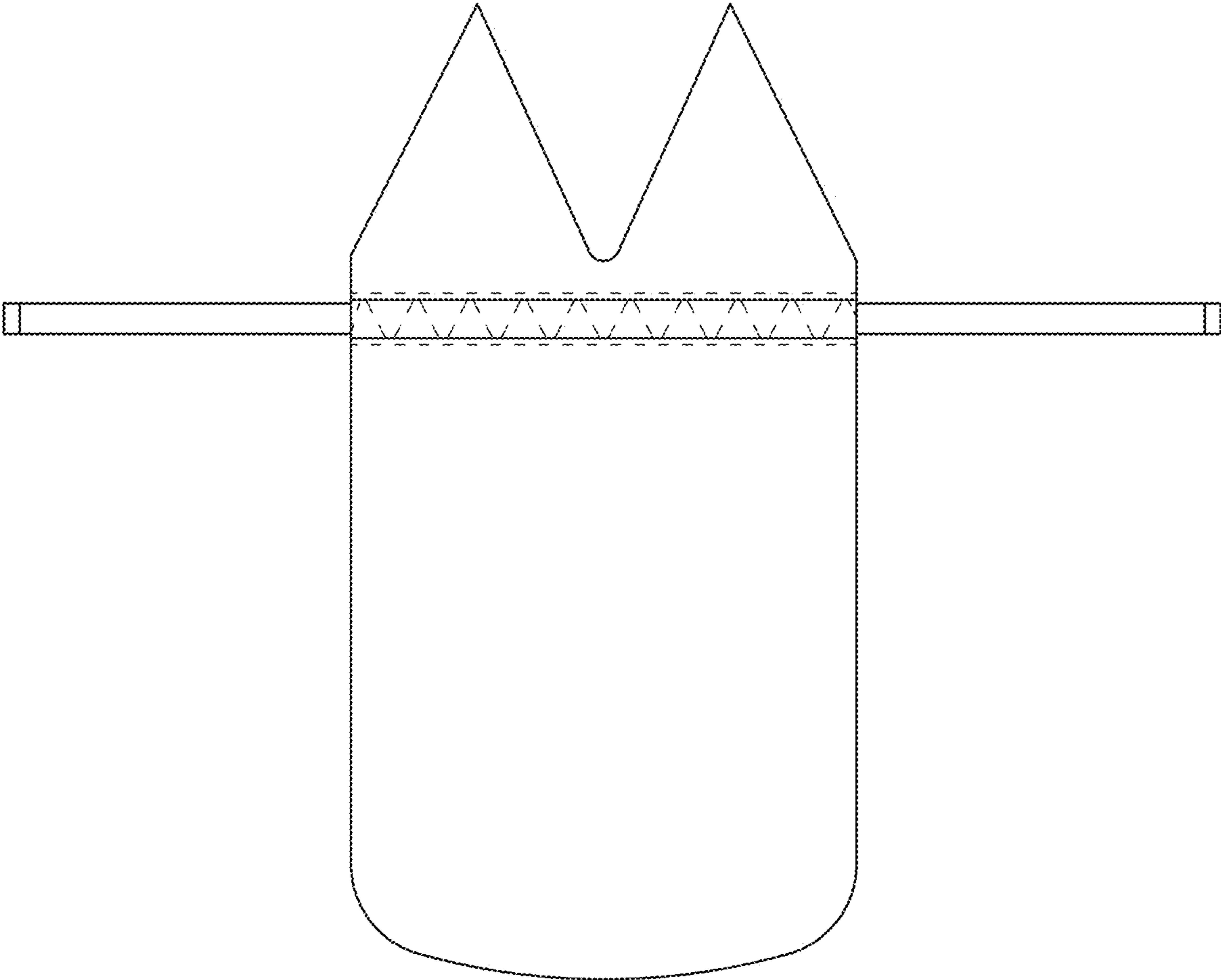


FIG. 2

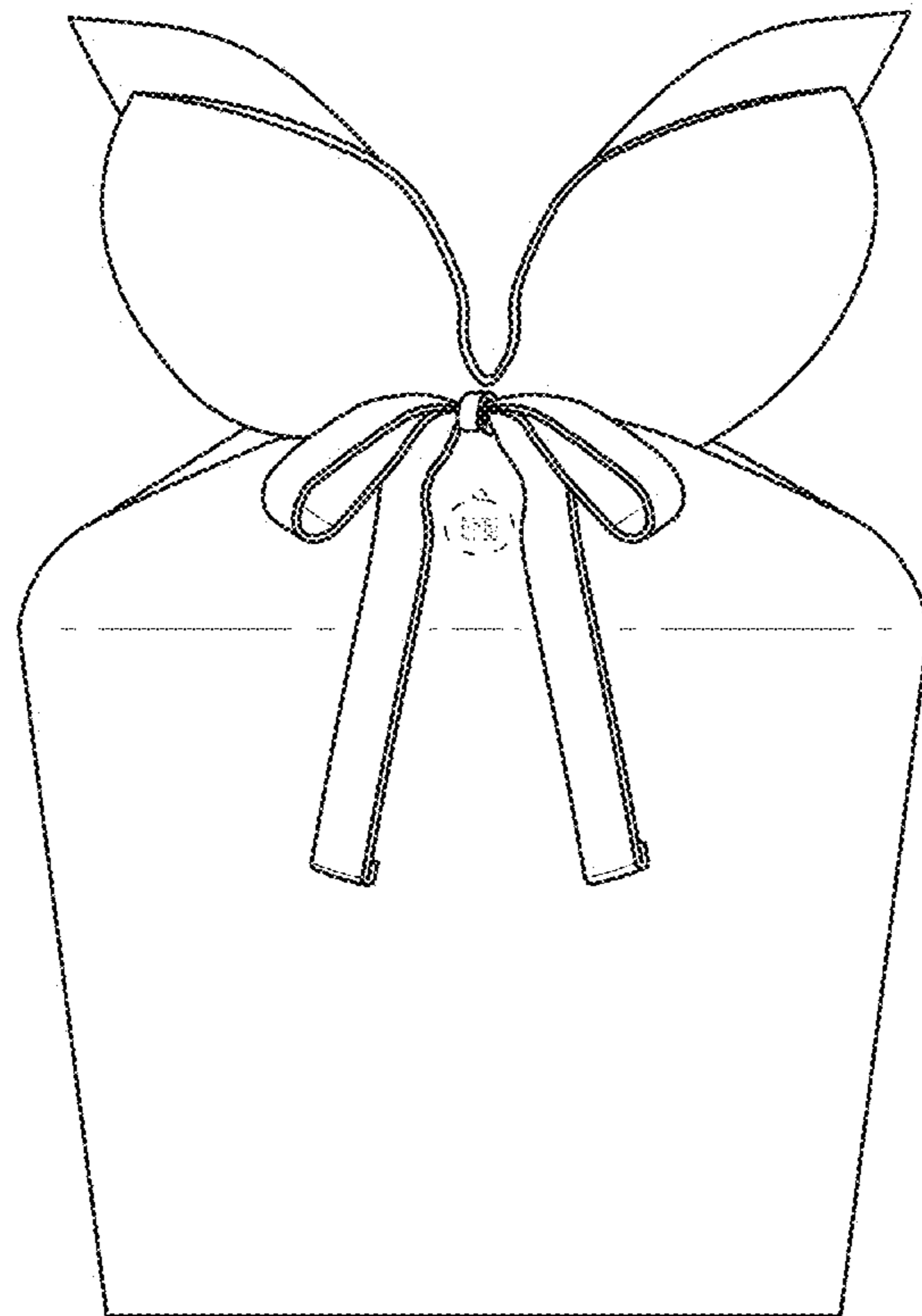


FIG. 3

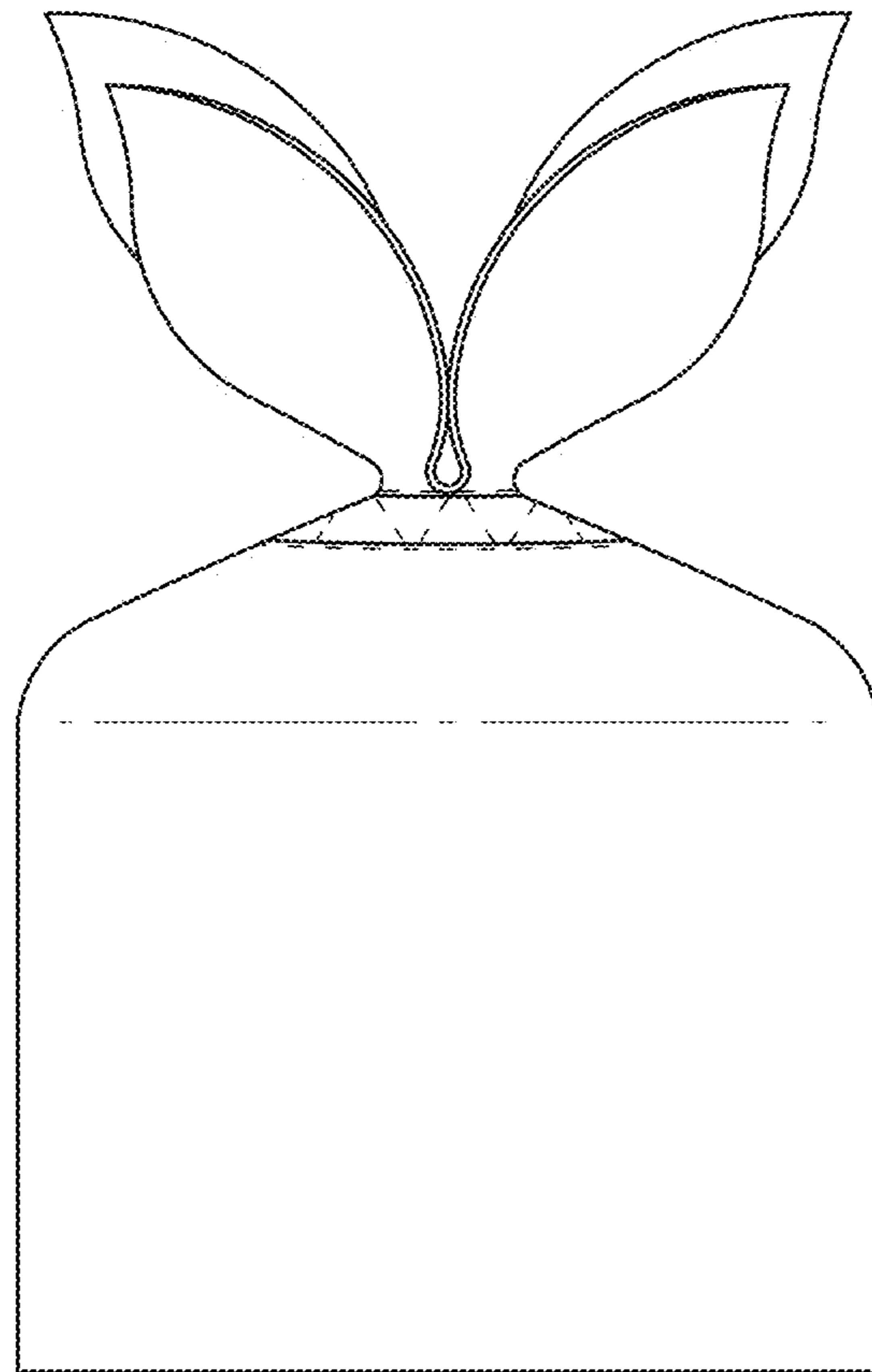


FIG. 4

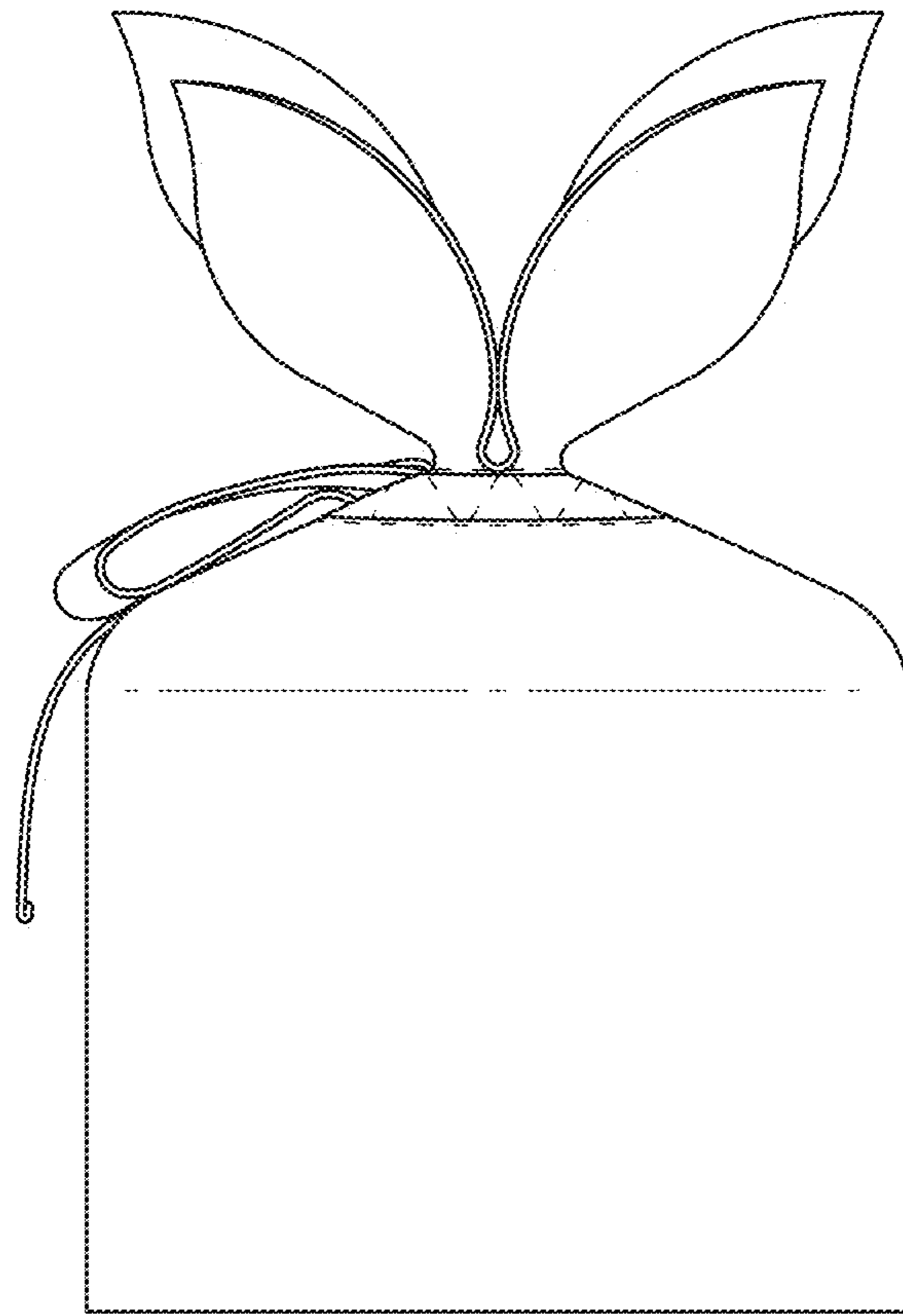


FIG. 5

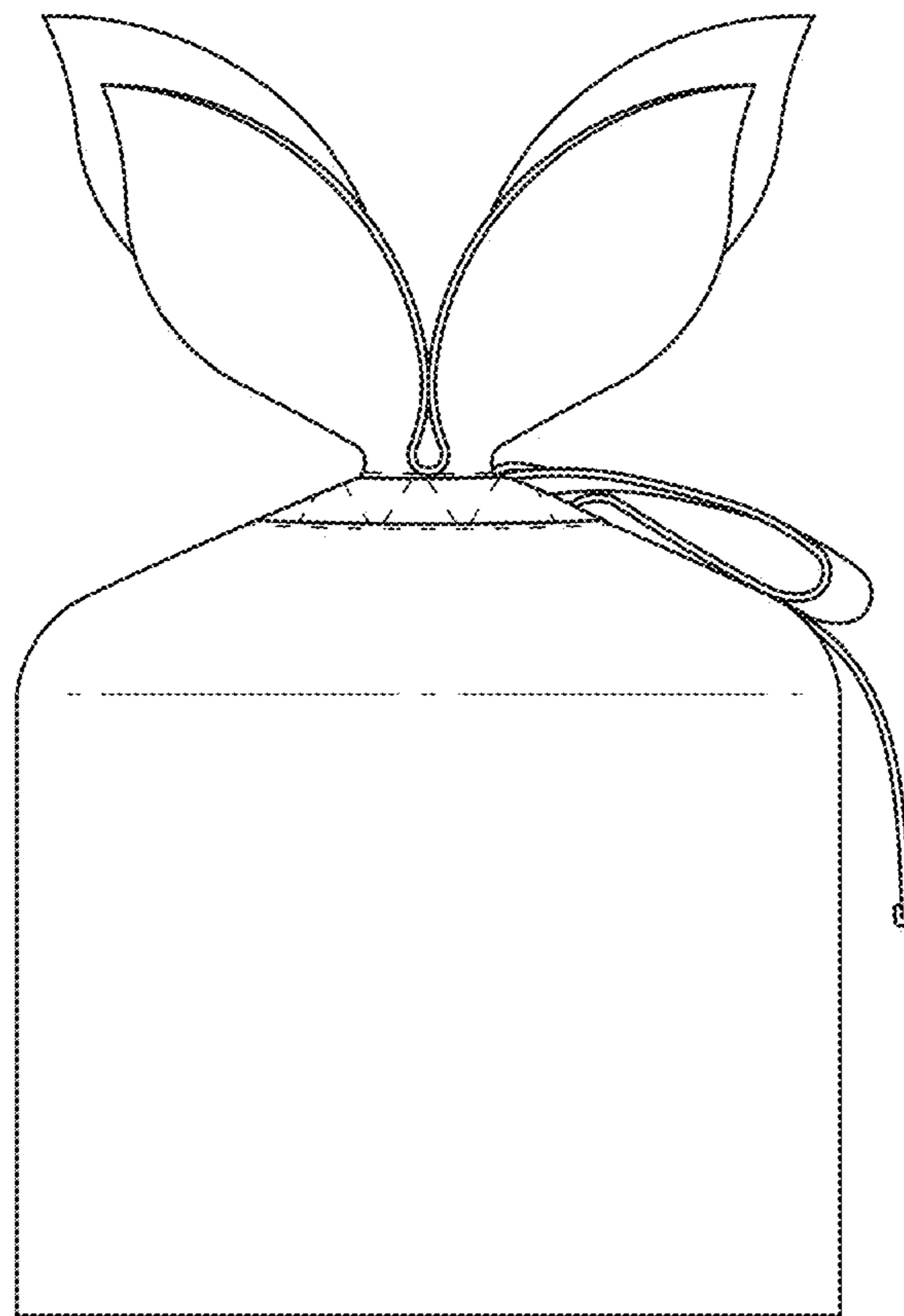


FIG. 6

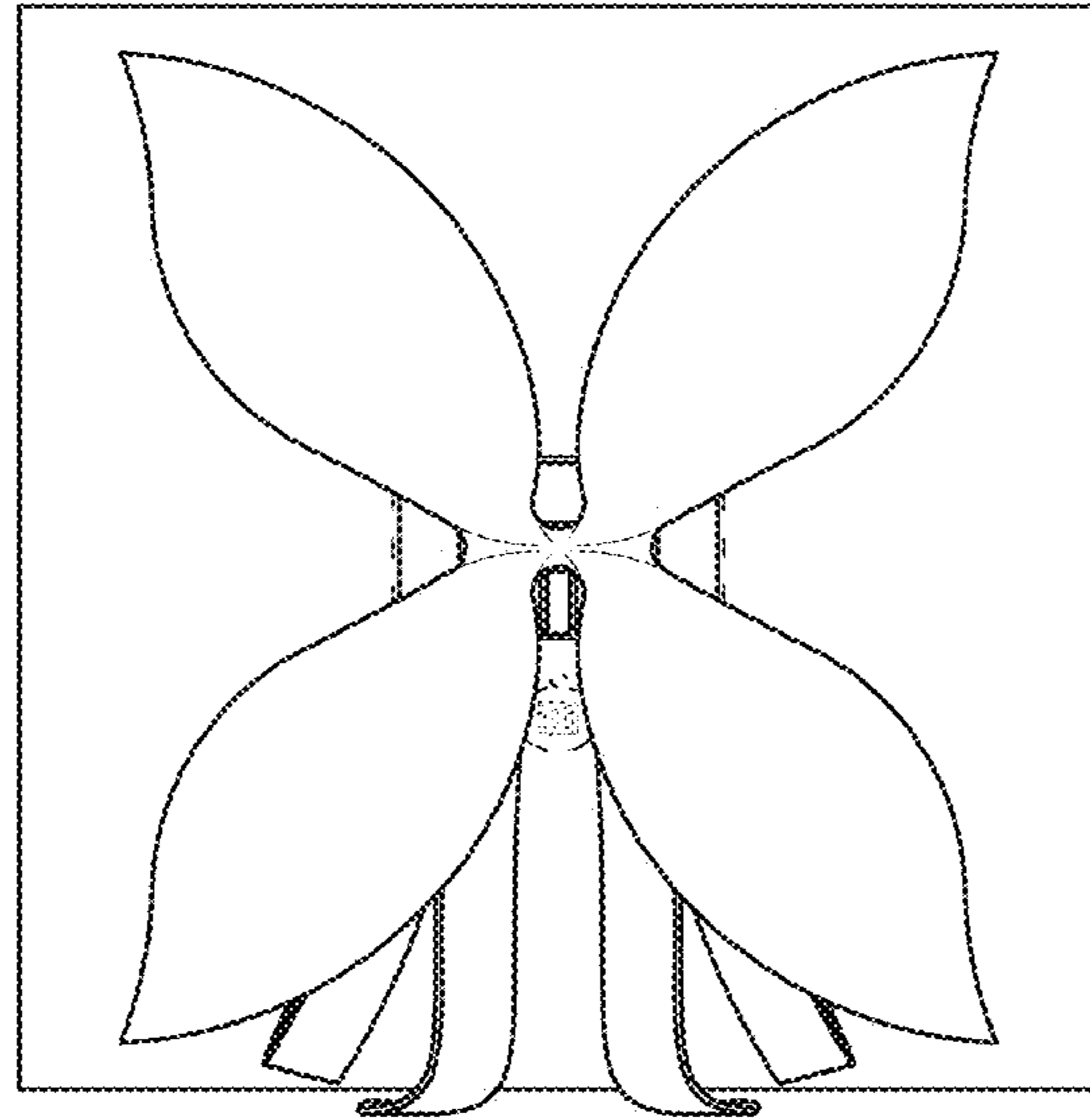


FIG. 7

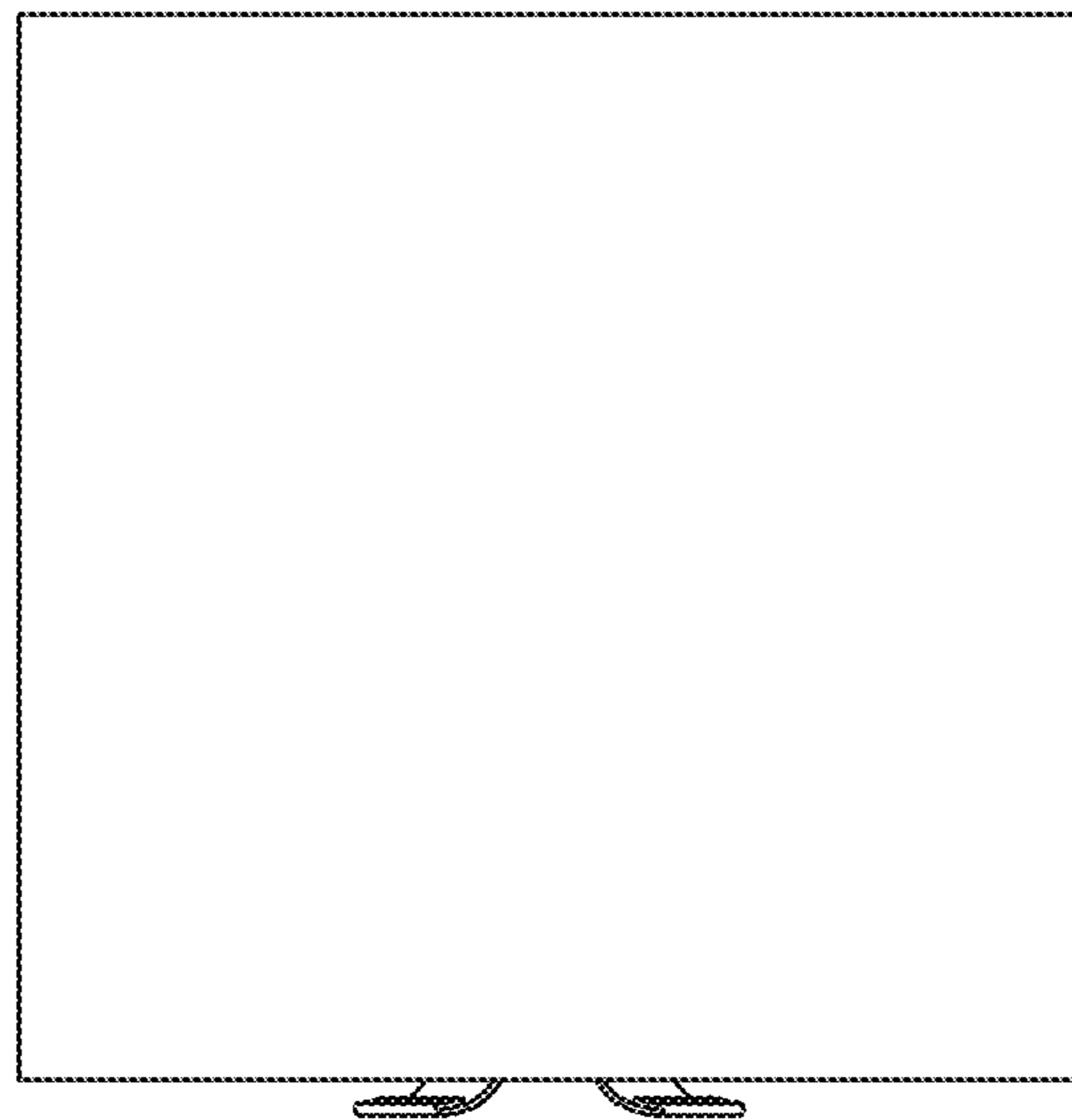


FIG. 8