



US00D957945S

(12) **United States Design Patent**
Wettenstein

(10) **Patent No.:** **US D957,945 S**
(45) **Date of Patent:** **** Jul. 19, 2022**

- (54) **BOTTLE**
- (71) Applicant: **Gabriel Wettenstein**, Staten Island, NY (US)
- (72) Inventor: **Gabriel Wettenstein**, Staten Island, NY (US)
- (73) Assignee: **EZPOUR BOTTLE LLC**, Staten Island, NY (US)

7,458,478 B2 * 12/2008 Kamineni B65D 79/0084
215/381
D631,360 S * 1/2011 van Westreenen D9/539
7,975,883 B2 7/2011 Laib et al.
D697,804 S * 1/2014 Hanson D9/550
(Continued)

(**) Term: **15 Years**

(21) Appl. No.: **29/702,166**

(22) Filed: **Aug. 16, 2019**

(51) **LOC (13) Cl.** **09-01**

(52) **U.S. Cl.**
USPC **D9/540; D9/550; D9/575**

(58) **Field of Classification Search**
USPC D9/414, 418, 422, 423, 424, 428, 503,
D9/504, 516, 539, 540, 548, 549, 550,
D9/721, 530, 537, 538, 558, 573-575;
D7/507-511, 523

CPC B65D 25/54; B65D 25/106; B65D 25/22;
B65D 51/24; B65D 51/245; A47F 7/286
See application file for complete search history.

(56) **References Cited**

U.S. PATENT DOCUMENTS

2,688,424 A	9/1954	Keiter	
D233,216 S *	10/1974	Cachero	D9/550
D282,050 S *	1/1986	Beaver	D9/550
D283,453 S *	4/1986	Hurrell	D9/550
5,330,054 A	7/1994	Brown	
5,337,924 A	8/1994	Dickie	
D357,864 S *	5/1995	Rusnock	D9/538
D363,026 S *	10/1995	Sillince	D9/538
5,927,533 A	7/1999	Payne et al.	
D523,345 S *	6/2006	Kamineni	D9/537
D573,476 S *	7/2008	Hopkins	D9/537

FOREIGN PATENT DOCUMENTS

FR	2733962	11/1996
IS	73262-0001	* 4/2010
WO	WO 03/037728	5/2003

OTHER PUBLICATIONS

Search Report and Written Opinion dated Apr. 8, 2020 issued in International Patent Application No. PCT/US20/13711.

(Continued)

Primary Examiner — Brett Miller
Assistant Examiner — Rani J Abdallah
(74) *Attorney, Agent, or Firm* — Cozen O'Connor

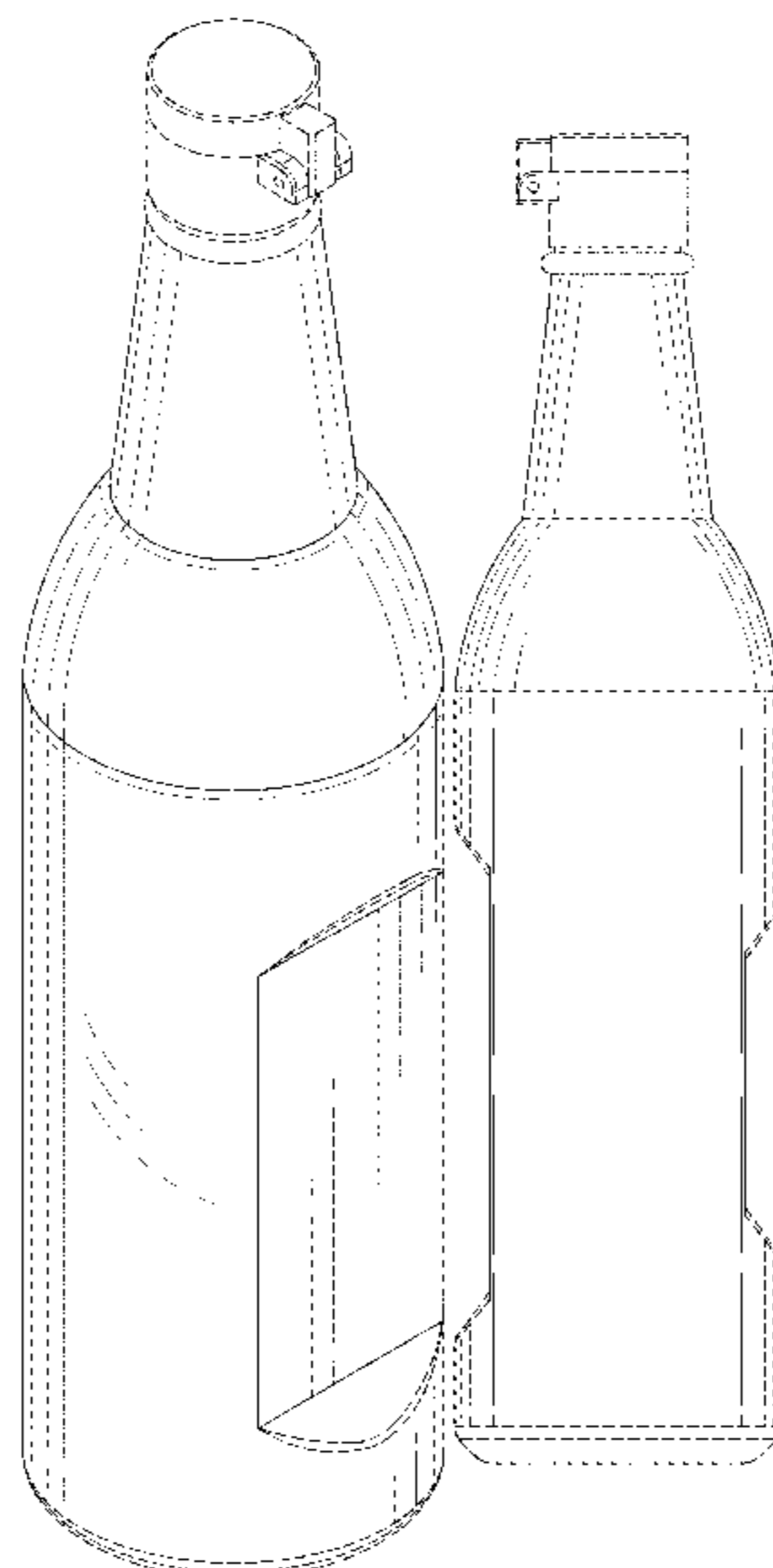
(57) **CLAIM**

The ornamental design for a bottle, as shown and described.

DESCRIPTION

FIG. 1 is a perspective view of a bottle showing my new design;
FIG. 2 is an exploded perspective bottle of FIG. 1;
FIG. 3 is a front elevation view of the bottle of FIG. 1;
FIG. 4 is a back elevation view of the bottle of FIG. 1;
FIG. 5 is a right-side elevation view of the bottle of FIG. 1;
and,
FIG. 6 is left-side elevation view of the bottle of FIG. 1.
The broken lines immediately adjacent the shaded areas represent the bounds of the claimed design while all other broken lines are directed to environment and are for illustrative purposes only; the broken lines in the drawing form no part of the claimed design.

1 Claim, 6 Drawing Sheets



(56)

References Cited

U.S. PATENT DOCUMENTS

D706,633 S * 6/2014 Reisig B65D 79/0084
D9/550
D724,896 S * 3/2015 Williams D7/511
D800,501 S * 10/2017 Rummel D7/509
D818,368 S * 5/2018 Hanan D9/550
D862,235 S * 10/2019 Sanghavi D9/540
2005/0040132 A1 2/2005 Saito et al.
2005/0121409 A1 6/2005 Penny et al.
2009/0289028 A1 11/2009 Sasaki et al.
2014/0374427 A1 12/2014 Matsuo et al.
2015/0251796 A1 9/2015 Melrose et al.
2017/0015466 A1 1/2017 Yourist et al.

OTHER PUBLICATIONS

Office Action dated Nov. 10, 2021 issued in U.S. Appl. No. 16/703,326.

Office Action dated Apr. 6, 2022 issued in U.S. Appl. No. 16/703,326.

* cited by examiner

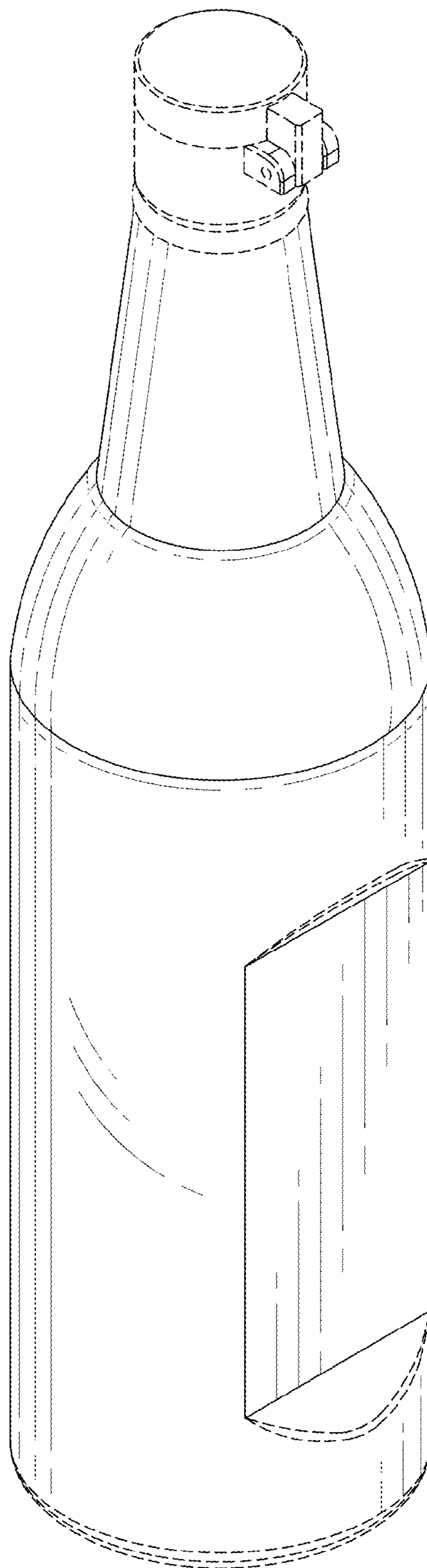


FIG. 1

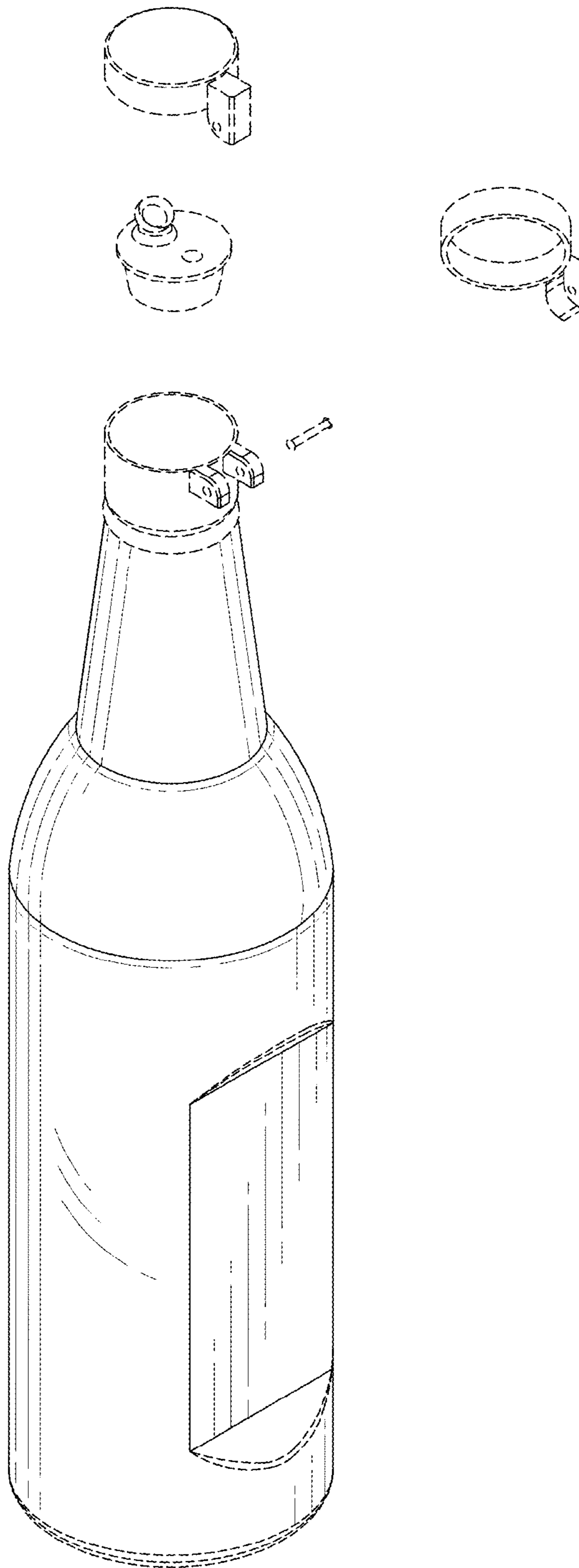


FIG. 2

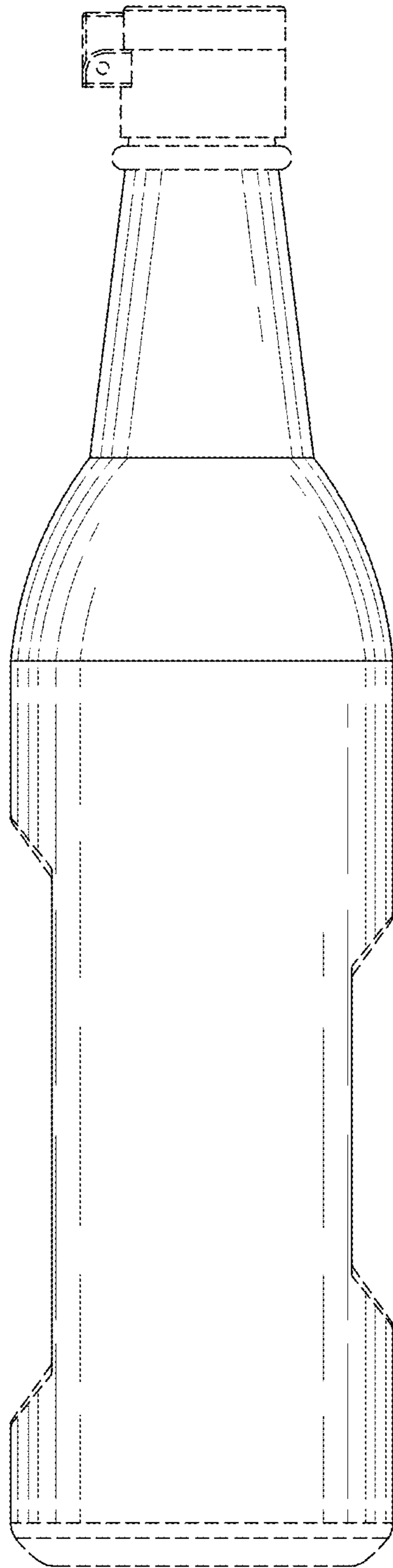


FIG. 3

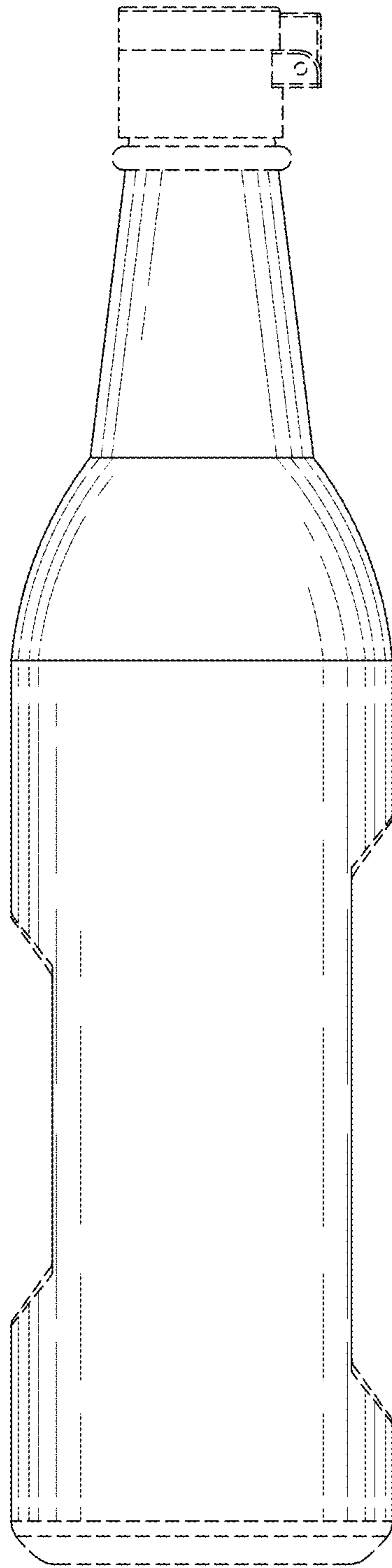


FIG 4

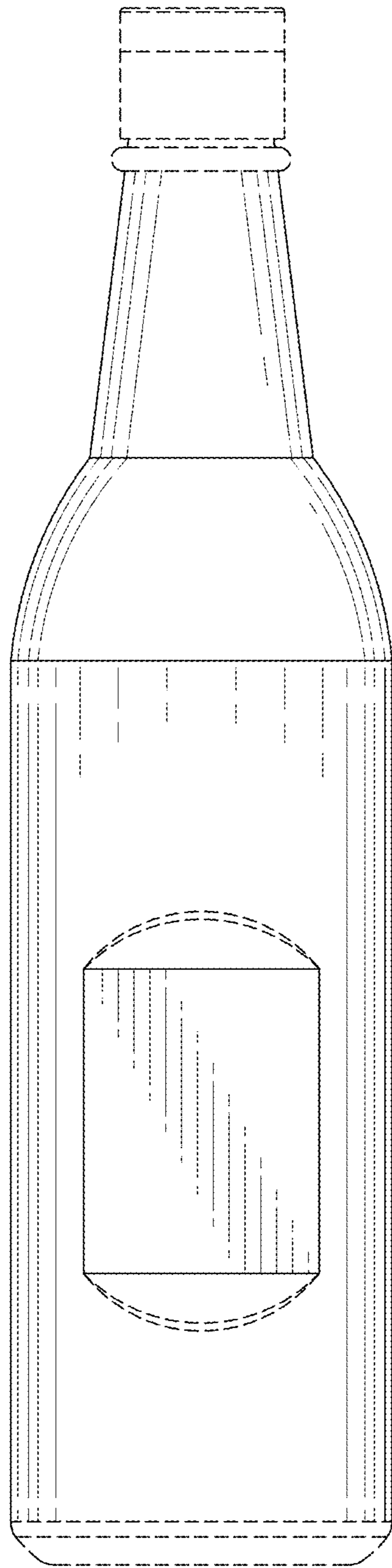


FIG. 5

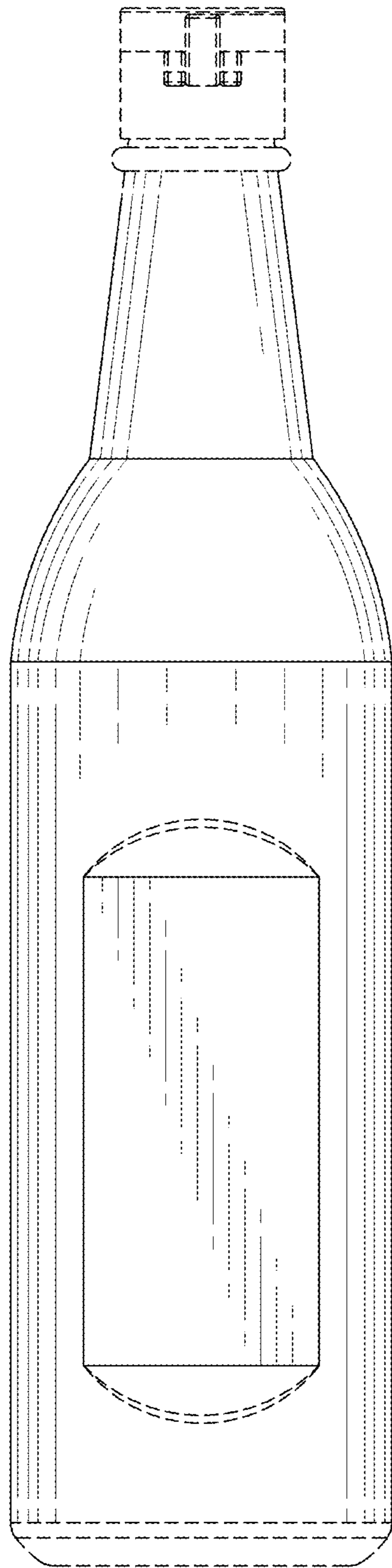


FIG. 6