



US00D957944S

(12) **United States Design Patent**  
**Clark et al.**

(10) **Patent No.:** **US D957,944 S**

(45) **Date of Patent:** **\*\* Jul. 19, 2022**

(54) **DISPENSING CAP WITH CONTAINER**

(71) Applicant: **THE CLOROX COMPANY**, Oakland, CA (US)

(72) Inventors: **Carrie Ann Clark**, Pleasanton, CA (US); **Hyun Jin Ko**, Pleasanton, CA (US); **Scot Herbst**, Santa Cruz, CA (US); **William W. Hunter**, Denver, CO (US); **Elisabeth Morris**, Santa Cruz, CA (US)

(73) Assignee: **THE CLOROX COMPANY**, Oakland, CA (US)

(\*\*) Term: **15 Years**

(21) Appl. No.: **29/743,354**

(22) Filed: **Jul. 21, 2020**

(51) **LOC (13) Cl.** ..... **09-01**

(52) **U.S. Cl.**  
USPC ..... **D9/504; D9/575**

(58) **Field of Classification Search**  
USPC ..... D9/439, 440, 442-449, 682, 685, 686, D9/435, 438, 450, 454, 503, 504, 529; D6/515; D7/507, 509-511, 523, 391, D7/392, 392.1, 396.2; D23/366  
CPC .... B65D 83/205; B65D 83/206; B65D 83/40; B65D 2543/00046; A47G 19/2272  
See application file for complete search history.

(56) **References Cited**

**U.S. PATENT DOCUMENTS**

2,997,731	A *	8/1961	Schultz	.....	A45D 34/041
					401/213
3,464,599	A *	9/1969	Meth	.....	B43L 25/00
					222/589
D253,732	S *	12/1979	Van Koert	.....	D26/11
D285,531	S *	9/1986	Peterson	.....	D9/503
D373,084	S *	8/1996	Choi	.....	D9/504
D409,051	S *	5/1999	Huang	.....	D9/504

D446,693	S *	8/2001	Bodum	.....	D9/504
D446,694	S *	8/2001	Bodum	.....	D9/504
D472,147	S *	3/2003	Herrmann	.....	D9/504
D519,322	S *	4/2006	Hutton	.....	D7/523
D519,376	S *	4/2006	Ames	.....	D9/504
D548,317	S *	8/2007	Newton	.....	D23/366
D560,788	S *	1/2008	Farrell	.....	D23/366
D569,253	S *	5/2008	Cracchiolo	.....	D9/503
D575,108	S *	8/2008	Barducci	.....	D7/509
D582,278	S *	12/2008	Bourne	.....	D9/504
D596,732	S *	7/2009	Butler	.....	D23/366

(Continued)

**OTHER PUBLICATIONS**

Document Citation No. T01: Screen Shot of Youtube Video Clip entitled—How to use the Cif ecorefill Bathroom, 6 pgs uploaded on Aug. 14, 2019 by user “Cif UK”. Retrieved from Internet: <https://www.youtube.com/watch?v=IPyzJFfmk>.

*Primary Examiner* — Brett Miller

*Assistant Examiner* — Rani J Abdallah

(74) *Attorney, Agent, or Firm* — Edell, Shapiro & Finnan, LLC

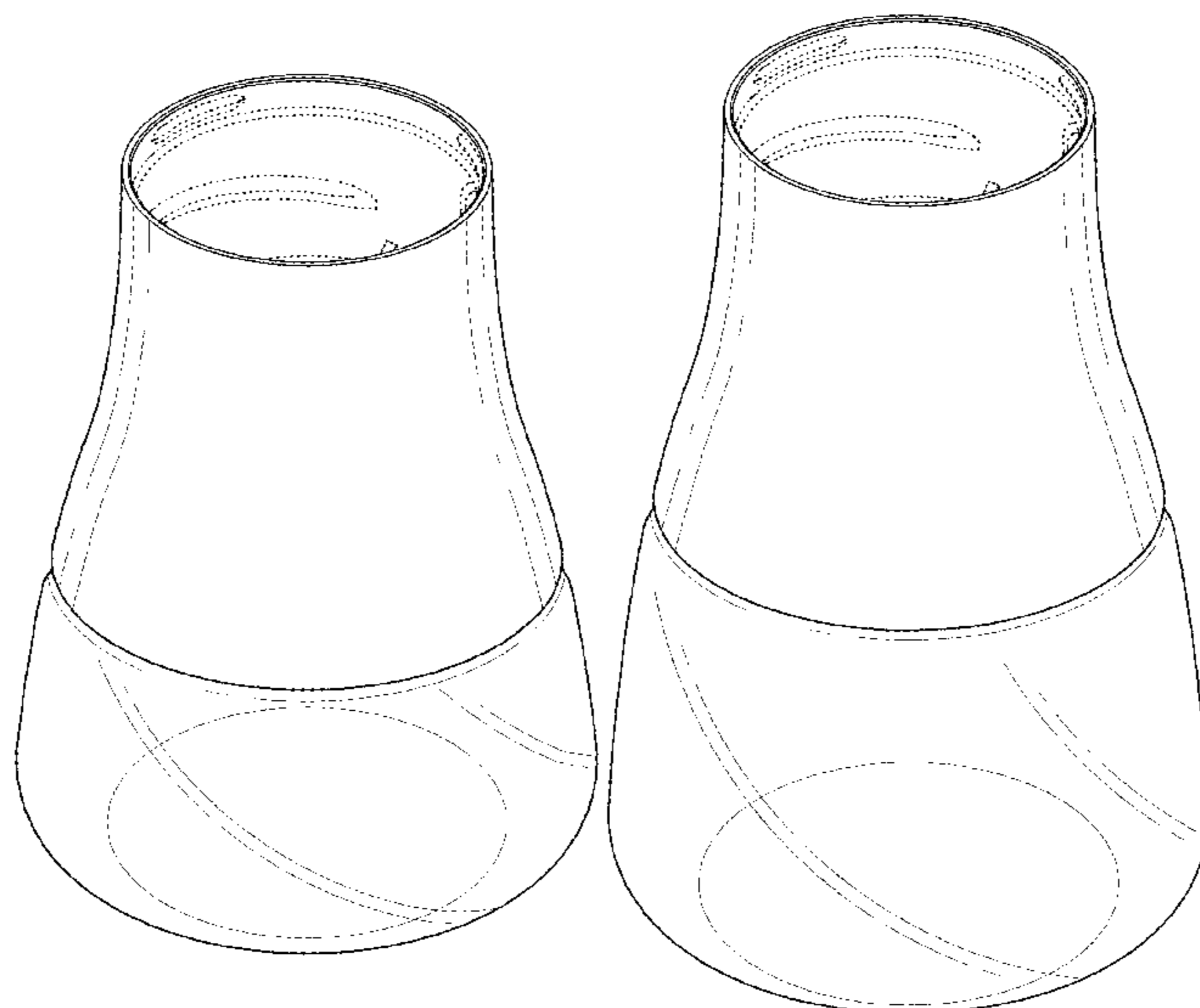
(57) **CLAIM**

The ornamental design for a dispensing cap with container design, as shown and described.

**DESCRIPTION**

FIG. 1 is a perspective view of a new dispensing cap with container design;  
FIG. 2 is a top view thereof;  
FIG. 3 is a left, right, front, back view thereof;  
FIG. 4 is a perspective view of a new dispensing cap with container design;  
FIG. 5 is a top view thereof; and,  
FIG. 6 is a left, right, front, back view thereof.  
The broken lines showing environmental structure are for illustrative purposes only and form no part of the claimed design.

**1 Claim, 6 Drawing Sheets**



(56)

References Cited

U.S. PATENT DOCUMENTS

D605,746 S *	12/2009	Butler	D23/366	D768,834 S *	10/2016	Schuller	D23/366
D605,747 S *	12/2009	Butler	D23/366	D769,122 S *	10/2016	Wiggins	D9/500
D609,571 S *	2/2010	Butler	D9/504	D771,439 S *	11/2016	Miller	D7/523
D614,033 S *	4/2010	Hassamanci	D9/504	D784,090 S *	4/2017	Mellentine	D7/607
D627,603 S *	11/2010	Eyal	D7/510	D815,721 S *	4/2018	Hu	D23/366
D668,509 S *	10/2012	Beugelsdijk	D7/510	D816,408 S *	5/2018	Cossu	D7/509
D672,860 S *	12/2012	Blachford	D23/366	D824,732 S *	8/2018	Hsiao	D7/608
D673,452 S *	1/2013	Handy	D9/500	D828,530 S *	9/2018	Brandenburg	D23/366
D675,308 S *	1/2013	Freeborn	D23/366	D833,874 S *	11/2018	Harrison	D9/500
D675,309 S *	1/2013	Freeborn	D23/366	D833,875 S *	11/2018	Harrison	D9/503
D681,182 S *	4/2013	Tomas Vilarasa	D23/366	D834,374 S *	11/2018	Faulkner	D7/523
D681,183 S *	4/2013	Blachford	D23/366	D835,773 S *	12/2018	Yu	D23/366
D684,303 S *	6/2013	Lin	D26/118	D839,405 S *	1/2019	Hu	D23/366
D685,646 S *	7/2013	DeMarco	D9/454	D840,013 S *	2/2019	Zhang	D23/366
D689,664 S *	9/2013	Dietvorst	D9/500	D841,407 S *	2/2019	Hsiao	D7/608
D703,054 S *	4/2014	DeMarco	D9/504	D842,446 S *	3/2019	Wen	D23/366
D704,070 S *	5/2014	Pires	D9/503	D844,127 S *	3/2019	Wang	D23/366
D716,660 S *	11/2014	Quinones	D9/503	D845,459 S *	4/2019	Hu	D23/366
D717,664 S *	11/2014	Van Handel	D9/682	D846,107 S *	4/2019	Hu	D23/366
D721,587 S *	1/2015	Bos	D9/500	D849,223 S *	5/2019	Brandenburg	D23/366
D723,929 S *	3/2015	Blachford	D9/529	D862,677 S *	10/2019	Li	D23/366
D732,653 S *	6/2015	Hsiao	D23/366	D878,537 S *	3/2020	Gobber	D23/366
D733,382 S *	6/2015	Bos	D9/500	D886,231 S *	6/2020	Burrow	D22/116
D743,258 S *	11/2015	Panza	D9/500	D886,937 S *	6/2020	Burrow	D22/116
D745,400 S *	12/2015	Canuto	D9/503	D901,985 S *	11/2020	Jackson	D7/608
				D930,137 S *	9/2021	Lin	D23/366
				2007/0204511 A1 *	9/2007	Lee	A47G 7/06 47/66.1

\* cited by examiner

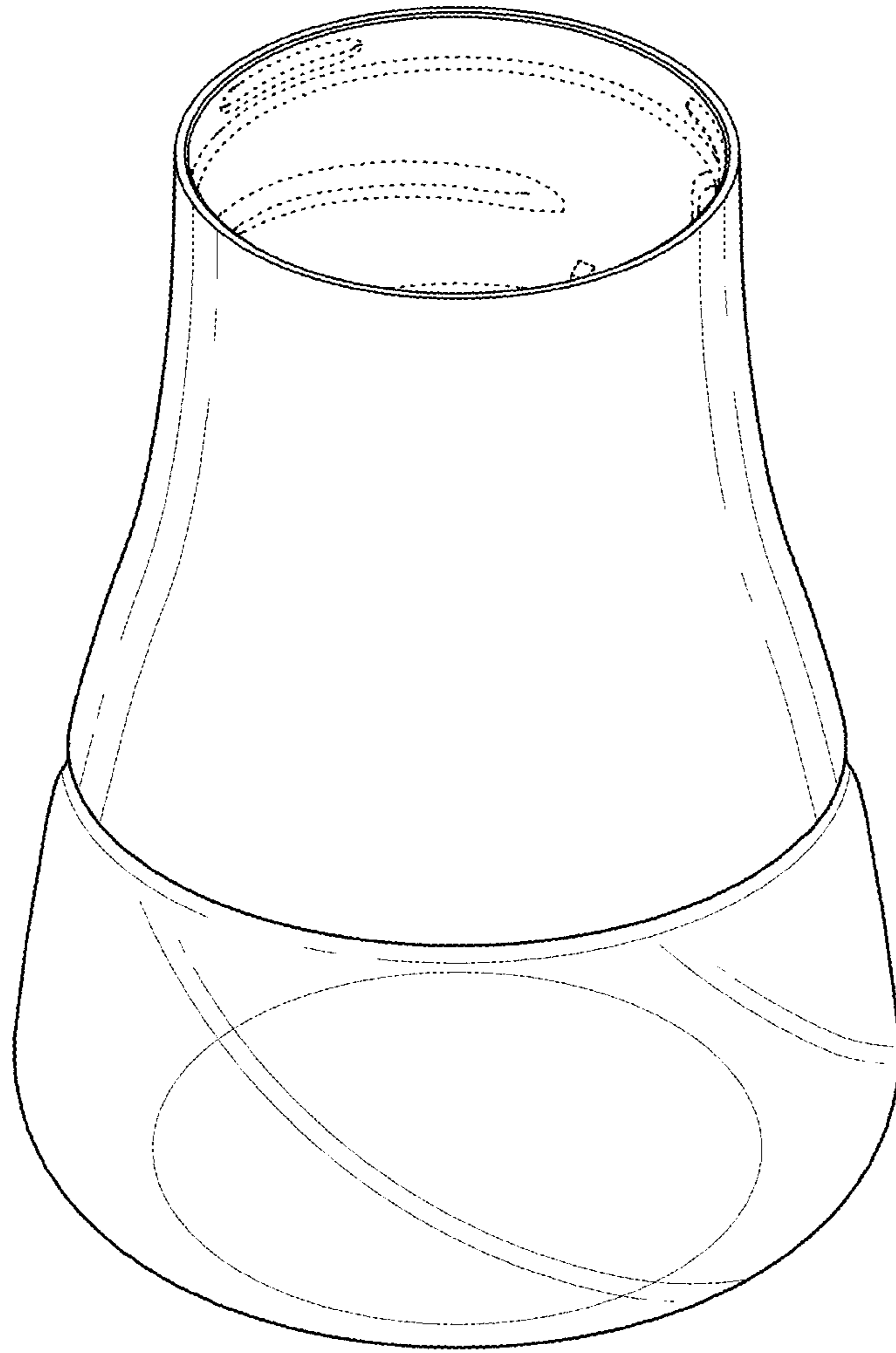


FIG. 1

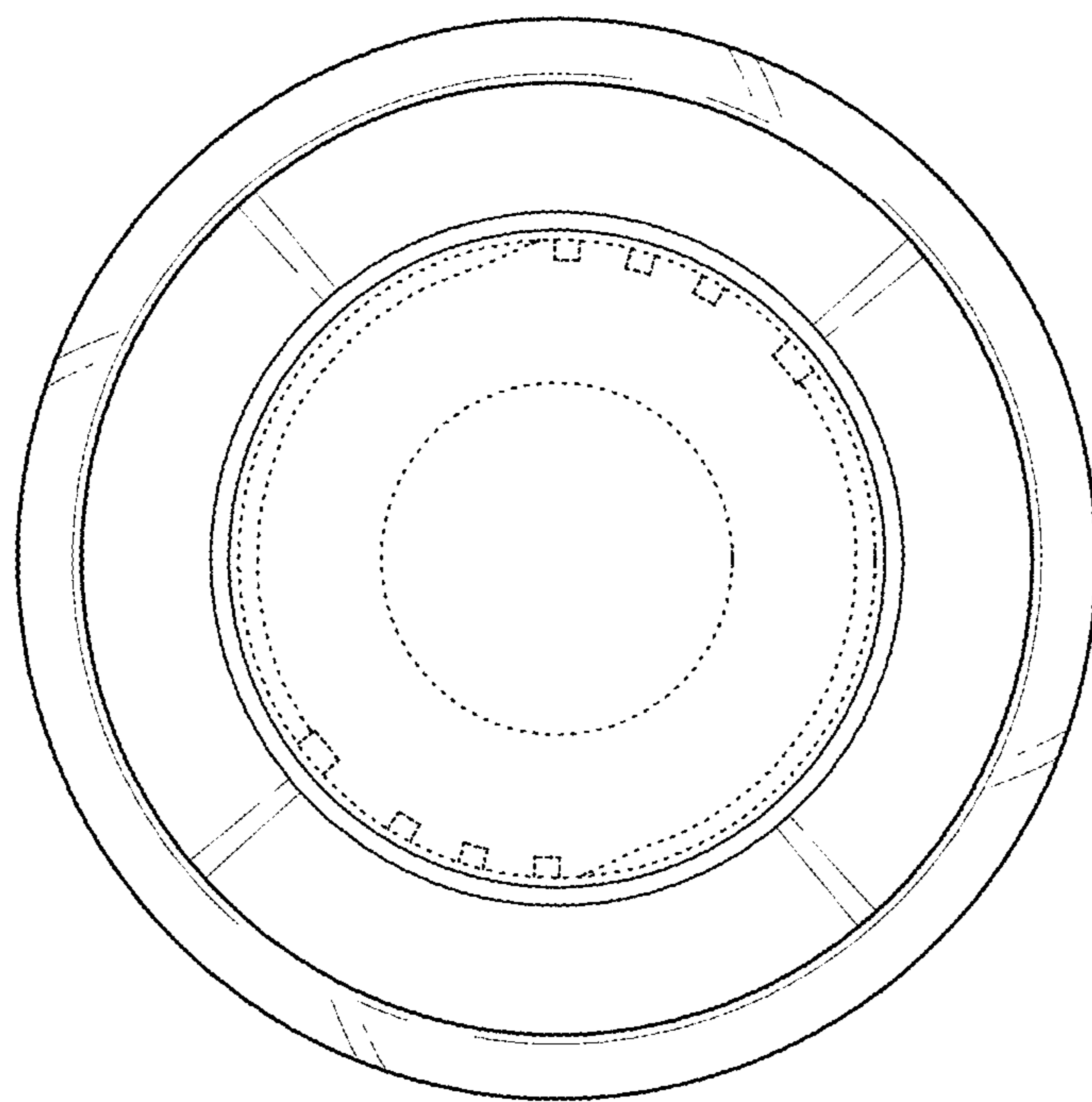


FIG. 2

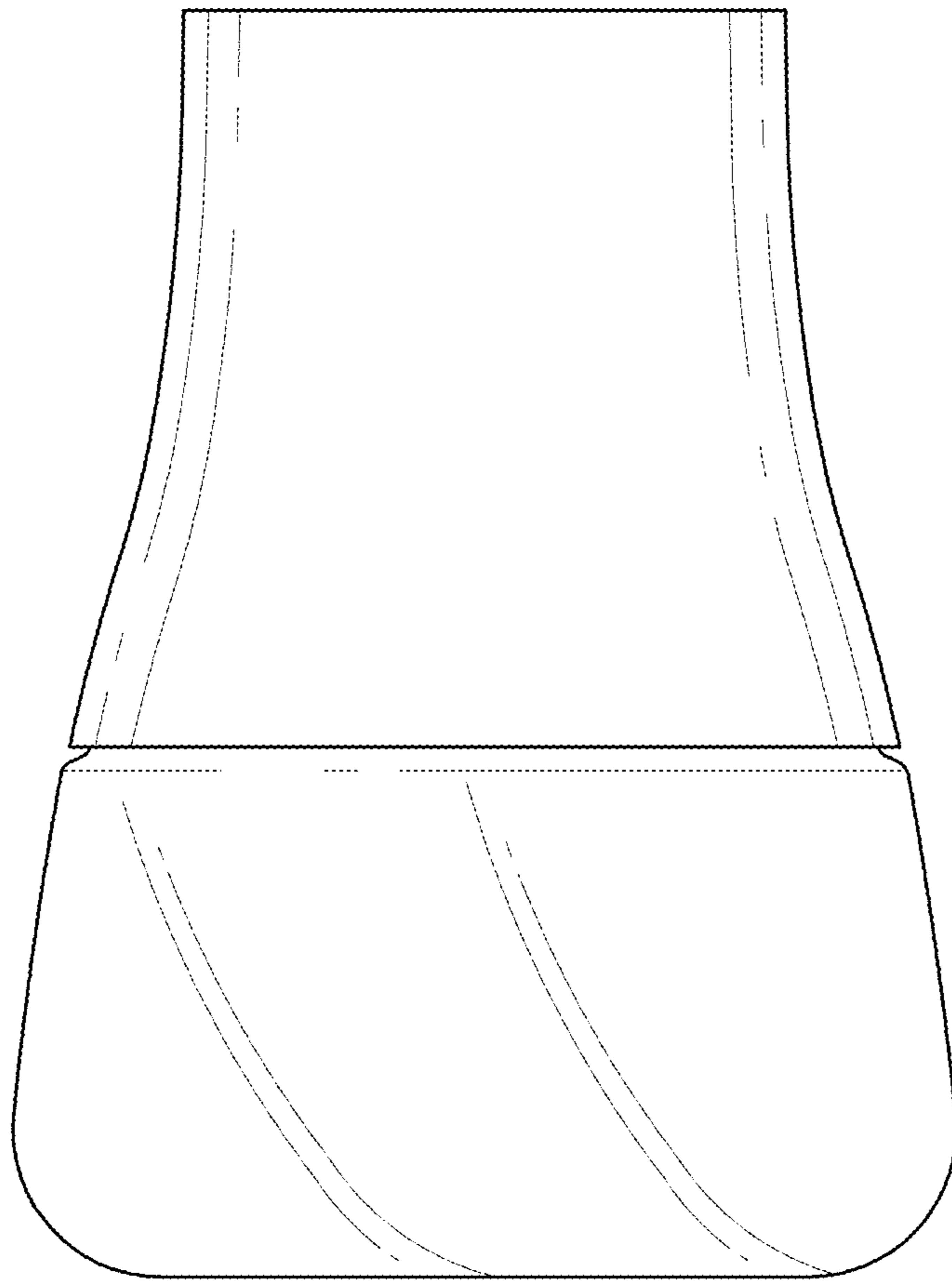


FIG. 3

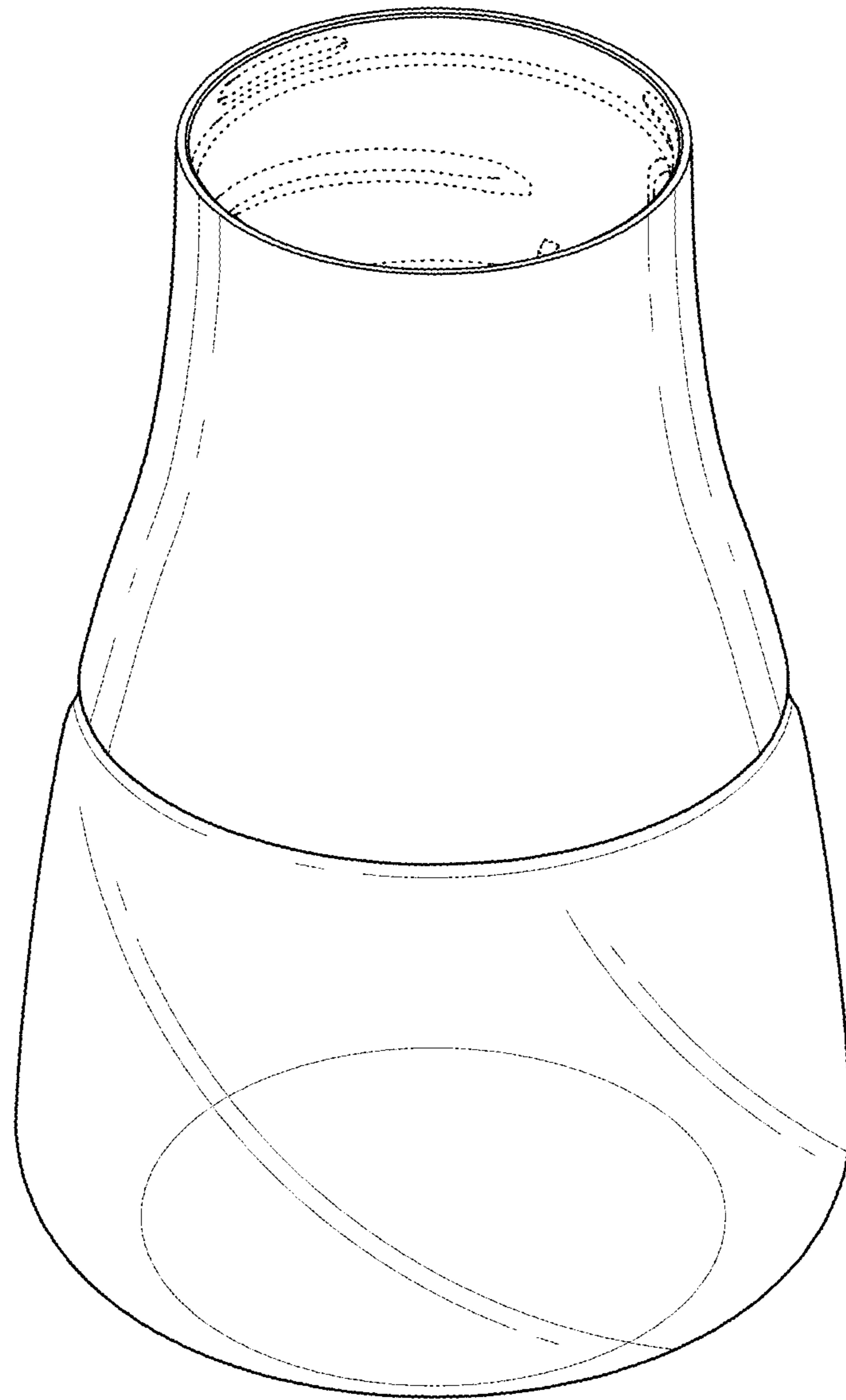


FIG. 4

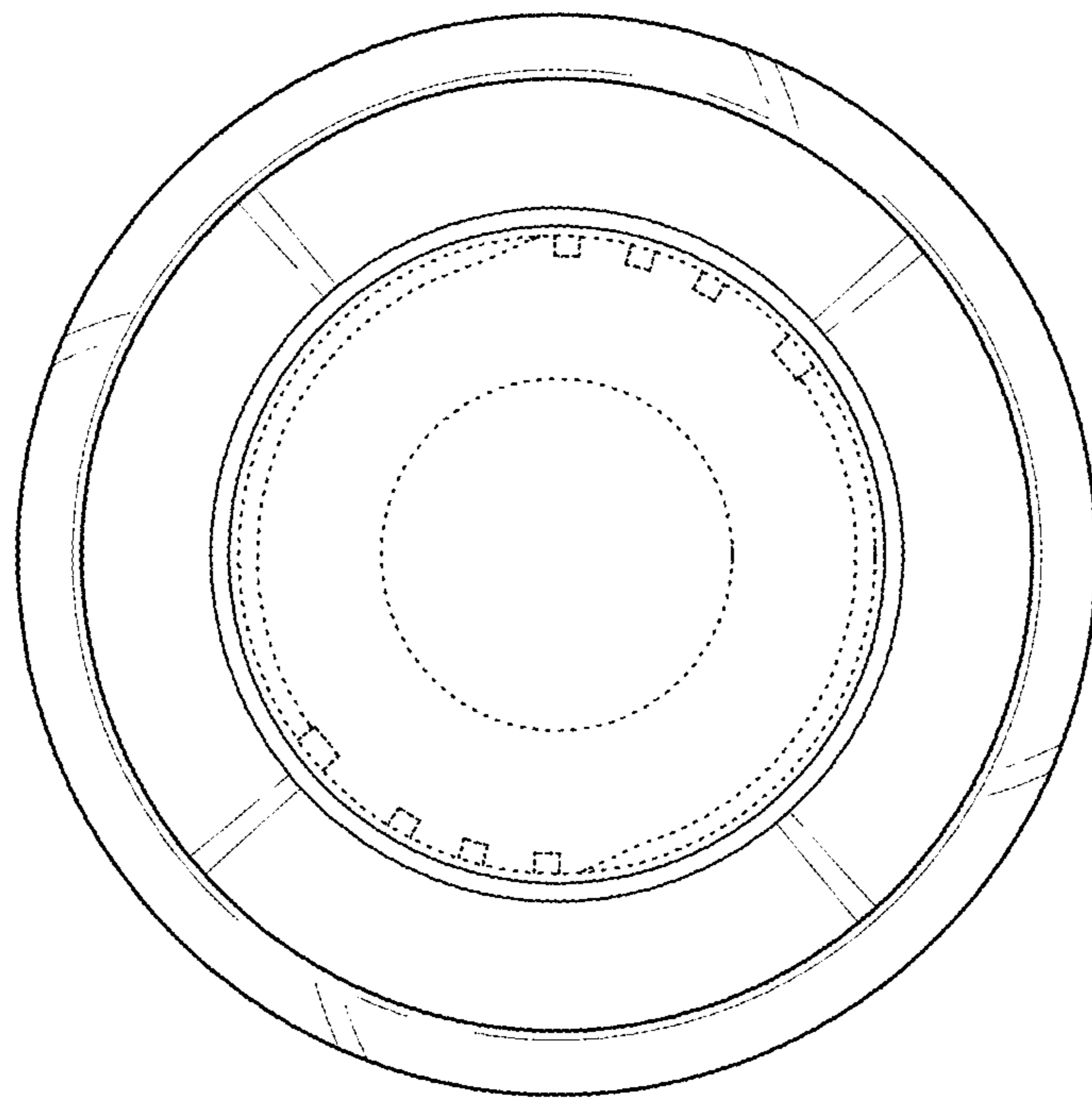


FIG. 5

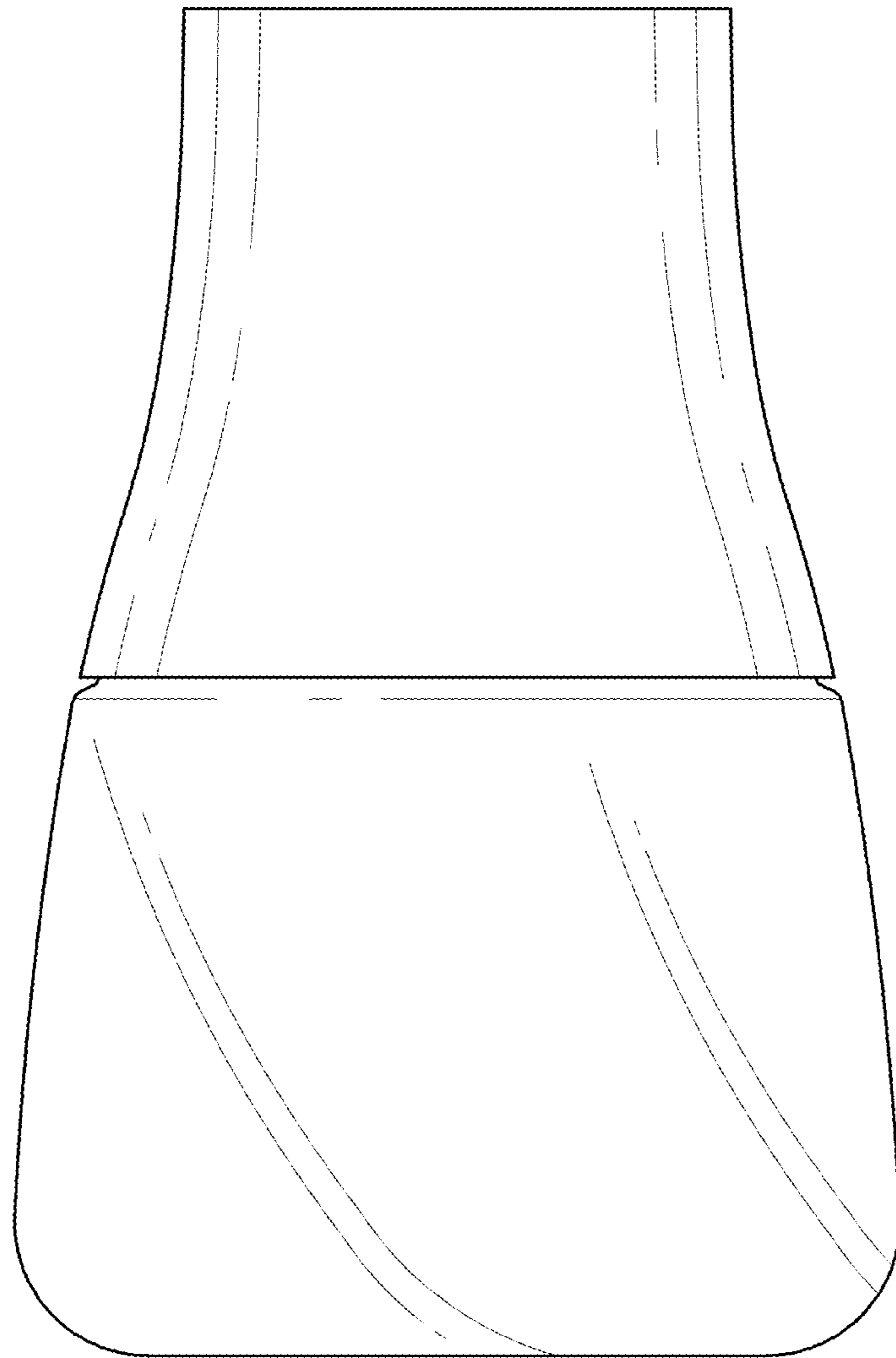


FIG. 6