



US00D957941S

(12) **United States Design Patent**
Clark et al.

(10) **Patent No.:** **US D957,941 S**
(45) **Date of Patent:** **** Jul. 19, 2022**

(54) **DISPENSING CAP**

(71) Applicant: **THE CLOROX COMPANY**, Oakland, CA (US)

(72) Inventors: **Carrie Ann Clark**, Pleasanton, CA (US); **Hyun Jin Ko**, Pleasanton, CA (US); **Scot Herbst**, Santa Cruz, CA (US); **William W. Hunter**, Denver, CO (US); **Elisabeth Morris**, Santa Cruz, CA (US)

(73) Assignee: **THE CLOROX COMPANY**, Oakland, CA (US)

(**) Term: **15 Years**

(21) Appl. No.: **29/743,370**

(22) Filed: **Jul. 21, 2020**

(51) **LOC (13) Cl.** **09-01**

(52) **U.S. Cl.**
USPC **D9/454; D9/434**

(58) **Field of Classification Search**
USPC D9/439, 440, 442-449, 682, 685, 686, D9/435, 438, 450, 454, 503, 504, 529; D6/515; D7/507, 509-511, 523, 391, D7/392, 392.1, 396.2; D23/366
CPC B65D 83/205; B65D 83/206; B65D 83/40; B65D 2543/00046; A47G 19/2272
See application file for complete search history.

(56) **References Cited**

U.S. PATENT DOCUMENTS

2,997,731	A *	8/1961	Schultz	A45D 34/041
					401/213
3,464,599	A *	9/1969	Meth	B43L 25/00
					222/589
D253,732	S *	12/1979	Van Koert	D26/11
D285,531	S *	9/1986	Peterson	D9/503
D373,084	S *	8/1996	Choi	D9/504

D409,051	S *	5/1999	Huang	D9/504
D446,693	S *	8/2001	Bodum	D9/504
D446,694	S *	8/2001	Bodum	D9/504
D472,147	S *	3/2003	Herrmann	D9/504
D519,322	S *	4/2006	Hutton	D7/523
D519,376	S *	4/2006	Ames	D9/504
D548,317	S *	8/2007	Newton	D23/366
D560,788	S *	1/2008	Farrell	D23/366
D569,253	S *	5/2008	Cracchiolo	D9/503
D575,108	S *	8/2008	Barducci	D7/509
D582,278	S *	12/2008	Bourne	D9/504
D596,732	S *	7/2009	Butler	D23/366
D605,746	S *	12/2009	Butler	D23/366
D605,747	S *	12/2009	Butler	D23/366
D609,571	S *	2/2010	Butler	D9/504
D614,033	S *	4/2010	Hassamanci	D9/504

(Continued)

OTHER PUBLICATIONS

Document Citation No. T01: Screen Shot of Youtube Video Clip entitled—How to use the Cif ecorefill Bathroom, 6 pgs uploaded on Aug. 14, 2019 by user “Cif UK”. Retrieved from Internet: <https://www.youtube.com/watch?v=IPyzJFfmk14>.

Primary Examiner — Brett Miller

Assistant Examiner — Rani J Abdallah

(74) *Attorney, Agent, or Firm* — Edell, Shapiro & Finnan, LLC

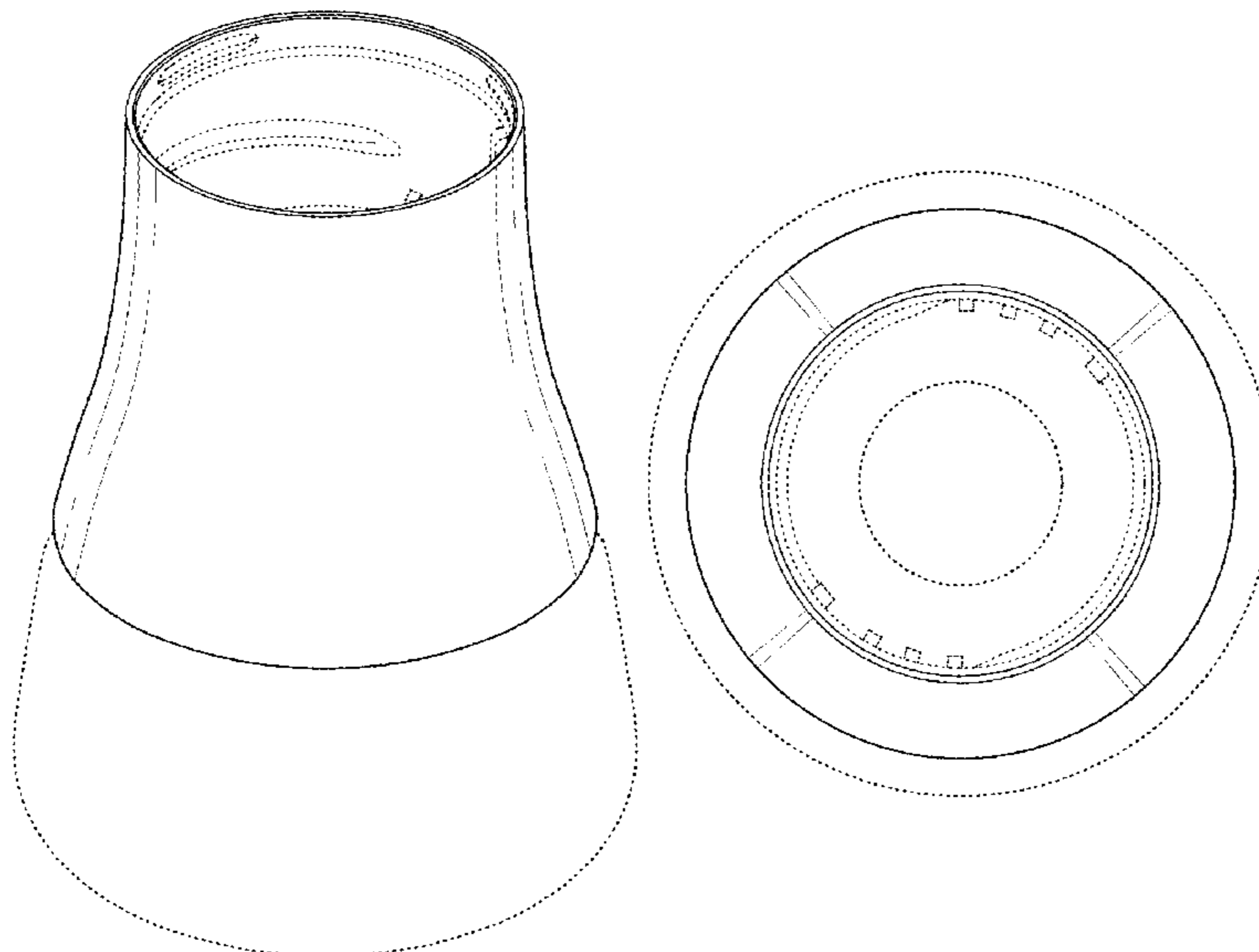
(57) **CLAIM**

The ornamental design for a dispensing cap design, as shown and described.

DESCRIPTION

FIG. 1 is a perspective view of a new dispensing cap design; FIG. 2 is a top view thereof; and, FIG. 3 is a left, right, front, back view thereof. The broken lines showing environmental structure are for illustrative purposes only and form no part of the claimed design.

1 Claim, 3 Drawing Sheets



(56)

References Cited

U.S. PATENT DOCUMENTS

D627,603 S * 11/2010 Eyal D7/510
 D668,509 S * 10/2012 Beugelsdijk D7/510
 D672,860 S * 12/2012 Blachford D23/366
 D673,452 S * 1/2013 Handy D9/500
 D675,308 S * 1/2013 Freeborn D23/366
 D675,309 S * 1/2013 Freeborn D23/366
 D681,182 S * 4/2013 Tomas Vilarasa D23/366
 D681,183 S * 4/2013 Blachford D23/366
 D684,303 S * 6/2013 Lin D26/118
 D685,646 S * 7/2013 DeMarco D9/454
 D689,664 S * 9/2013 Dietvorst D9/500
 D703,054 S * 4/2014 DeMarco D9/504
 D704,070 S * 5/2014 Pires D9/503
 D716,660 S * 11/2014 Quinones D9/503
 D717,664 S * 11/2014 Van Handel D9/682
 D721,587 S * 1/2015 Bos D9/500
 D723,929 S * 3/2015 Blachford D9/529
 D732,653 S * 6/2015 Hsiao D23/366
 D733,382 S * 6/2015 Bos D9/500
 D743,258 S * 11/2015 Panza D9/500
 D745,400 S * 12/2015 Canuto D9/503
 D768,834 S * 10/2016 Schuller D23/366
 D769,122 S * 10/2016 Wiggins D9/500

D771,439 S * 11/2016 Miller D7/523
 D784,090 S * 4/2017 Mellentine D7/607
 D815,721 S * 4/2018 Hu D23/366
 D816,408 S * 5/2018 Cossu D7/509
 D824,732 S * 8/2018 Hsiao D7/608
 D828,530 S * 9/2018 Brandenburg D23/366
 D833,874 S * 11/2018 Harrison D9/500
 D833,875 S * 11/2018 Harrison D9/503
 D834,374 S * 11/2018 Faulkner D7/523
 D835,773 S * 12/2018 Yu D23/366
 D839,405 S * 1/2019 Hu D23/366
 D840,013 S * 2/2019 Zhang D23/366
 D841,407 S * 2/2019 Hsiao D7/608
 D842,446 S * 3/2019 Wen D23/366
 D844,127 S * 3/2019 Wang D23/366
 D845,459 S * 4/2019 Hu D23/366
 D846,107 S * 4/2019 Hu D23/366
 D849,223 S * 5/2019 Brandenburg D23/366
 D862,677 S * 10/2019 Li D23/366
 D878,537 S * 3/2020 Gobber D23/366
 D886,231 S * 6/2020 Burrow D22/116
 D886,937 S * 6/2020 Burrow D22/116
 D901,985 S * 11/2020 Jackson D7/608
 D930,137 S * 9/2021 Lin D23/366
 2007/0204511 A1 * 9/2007 Lee A47G 7/06
 47/66.1

* cited by examiner

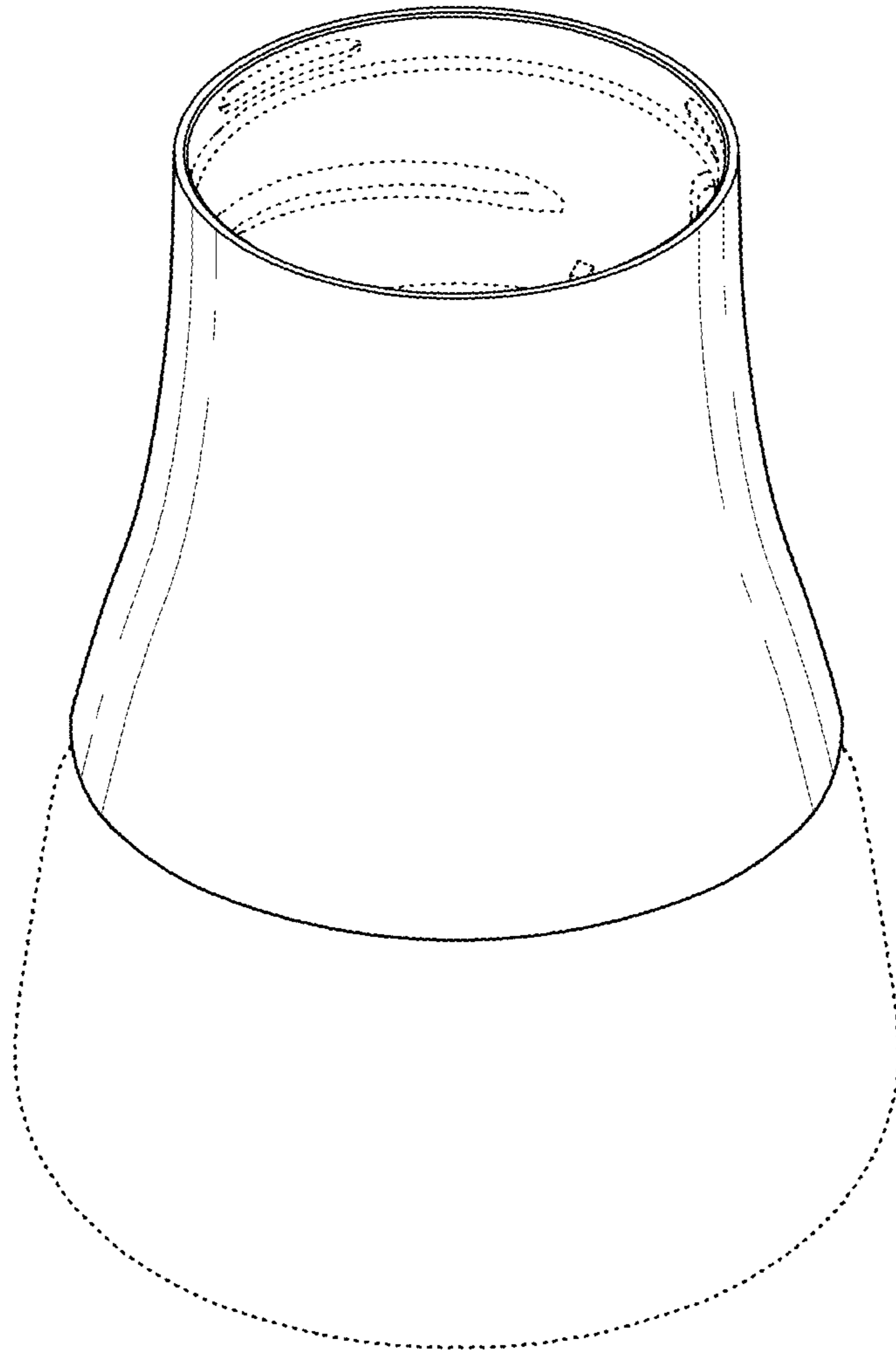


FIG. 1

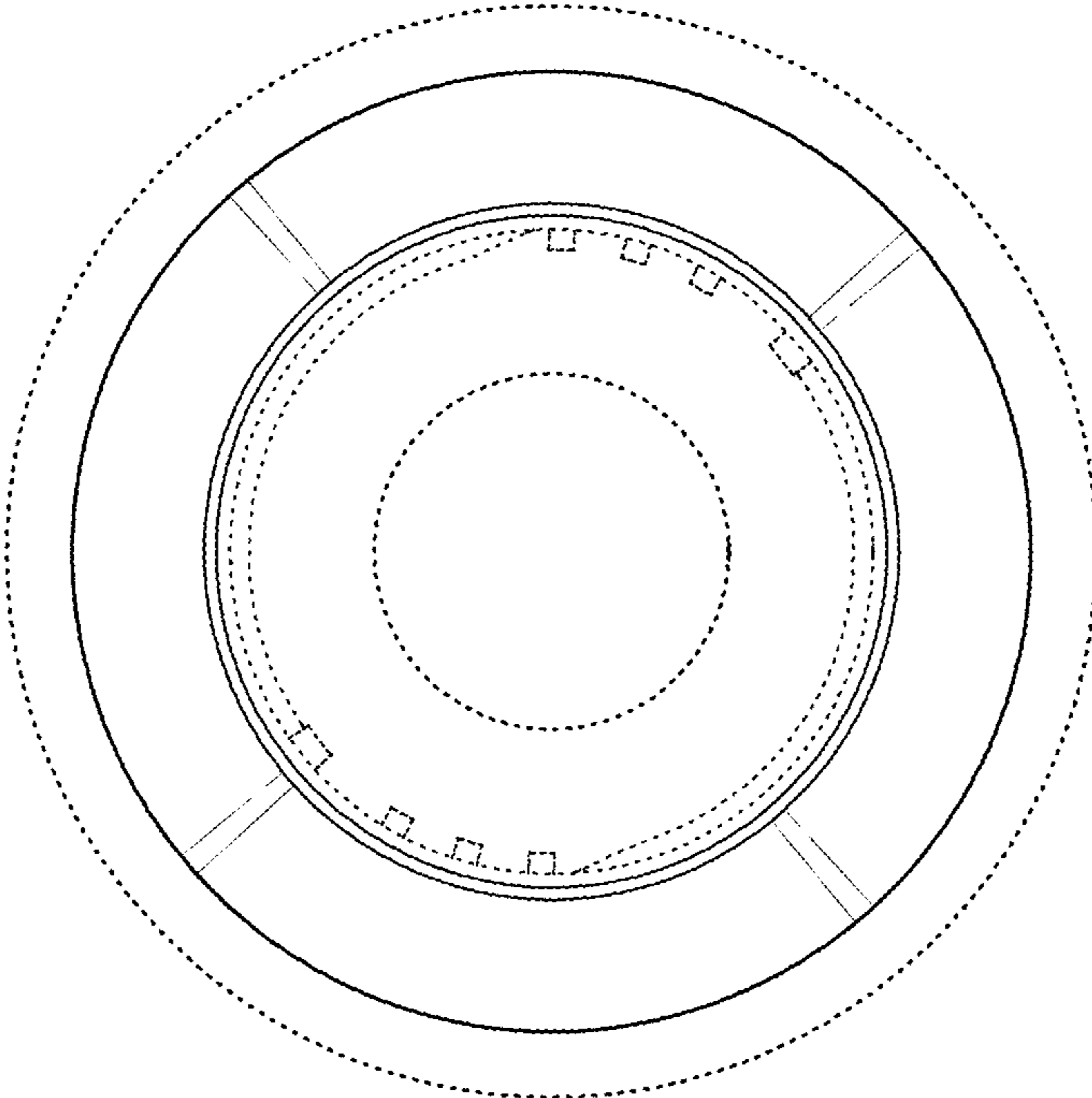


FIG. 2

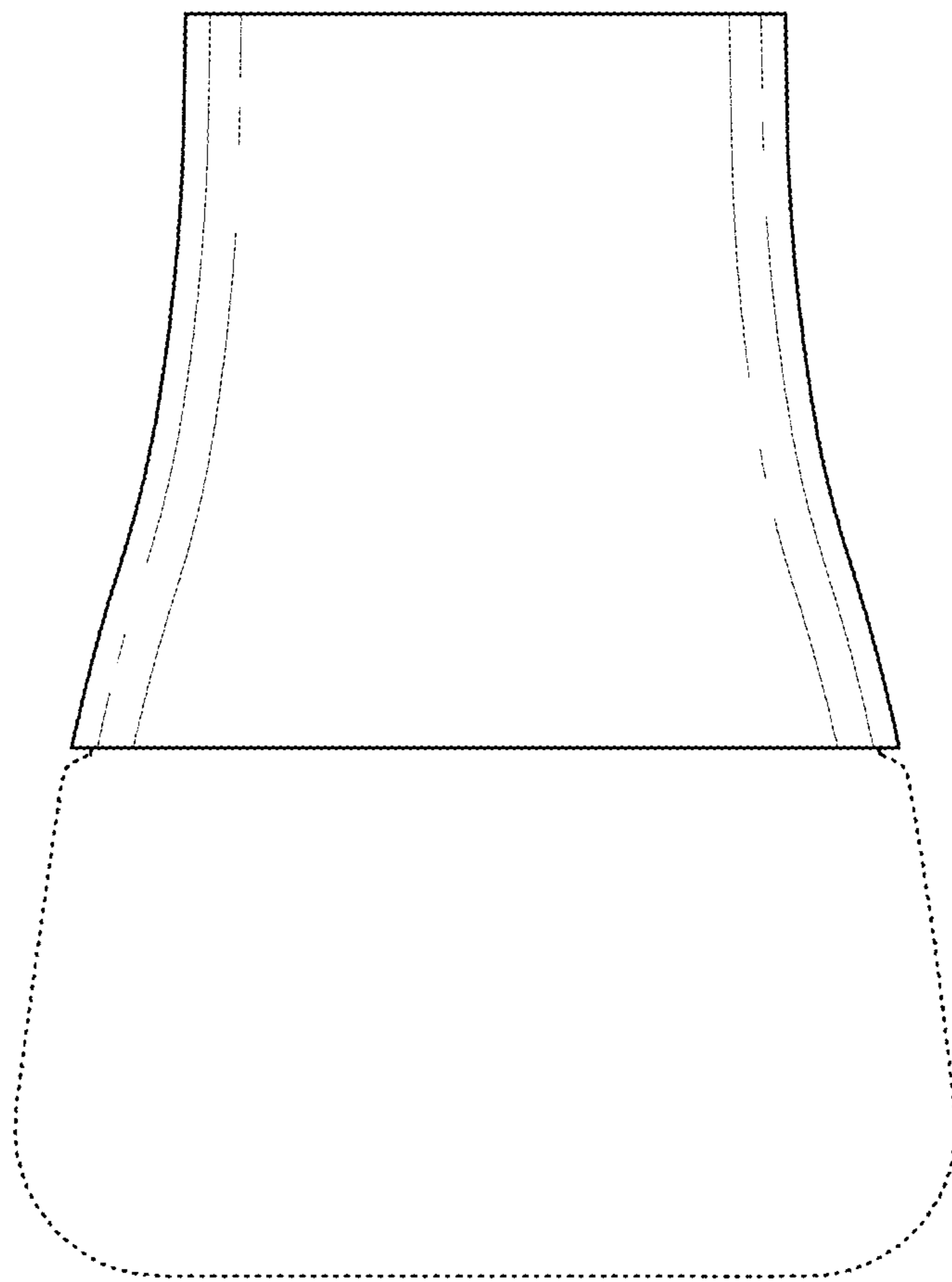


FIG. 3