



US00D957940S

(12) **United States Design Patent**
Borg et al.

(10) **Patent No.:** **US D957,940 S**

(45) **Date of Patent:** **** Jul. 19, 2022**

(54) **SECURE CONTAINER COVER**

(71) Applicant: **Oregon Precision Industries, Inc.**,
Eugene, OR (US)

(72) Inventors: **Zakary James Borg**, Eugene, OR
(US); **Ronald Lee Mellor, Jr.**, Eugene,
OR (US)

(73) Assignee: **OREGON PRECISION**
INDUSTRIES, INC., Eugene, OR (US)

(**) Term: **15 Years**

(21) Appl. No.: **29/762,467**

(22) Filed: **Dec. 16, 2020**

(51) **LOC (13) Cl.** **09-07**

(52) **U.S. Cl.**
USPC **D9/452**

(58) **Field of Classification Search**
USPC D7/550.1, 554.2, 387, 391, 392, 392.1,
D7/396.1, 396.2, 397, 398, 558, 624.1,
D7/667, 388, 403, 407, 408, 409;
D9/723, 724, 434, 435, 436, 438, 443,
D9/445, 447, 448, 449, 450, 452, 453,
D9/454; D23/206, 209, 259, 260, 261,
D23/397; D21/680, 681
CPC B65D 43/0208; B65D 2231/022; B65D
2543/00027; B65D 2543/00092; B65D
2543/000296; B65D 2543/00342; B65D
2543/00509; B65D 2543/00518; B65D
2543/00537; B65D 2543/00731; B65D
2543/00814; B65D 41/34; B65D 41/3428;
B65D 1/20; B65D 2251/0018; B65D
2251/0071; B65D 2251/02; B29C 51/22;
B29C 51/268; B29C 51/44; B29C
45/0001; B29C 45/0081; A47G 19/2272
See application file for complete search history.

(56) **References Cited**

U.S. PATENT DOCUMENTS

D103,917 S * 3/1937 Sneddon et al. D9/436
3,804,283 A 4/1974 Frankenberg

D256,657 S * 9/1980 Stansberry, Jr. D7/407
D388,134 S * 12/1997 Dunipace D21/443
D538,653 S * 3/2007 Robinson D9/449

(Continued)

FOREIGN PATENT DOCUMENTS

EP 0474544 A1 3/1992

OTHER PUBLICATIONS

European Patent Office, Extended European Search Report Issued in
Application No. 21156205.3, dated Jul. 23, 2021, Germany, 10
pages.

Primary Examiner — Catherine S Posthauer

(74) *Attorney, Agent, or Firm* — Alleman Hall Creasman
& Tuttle LLP

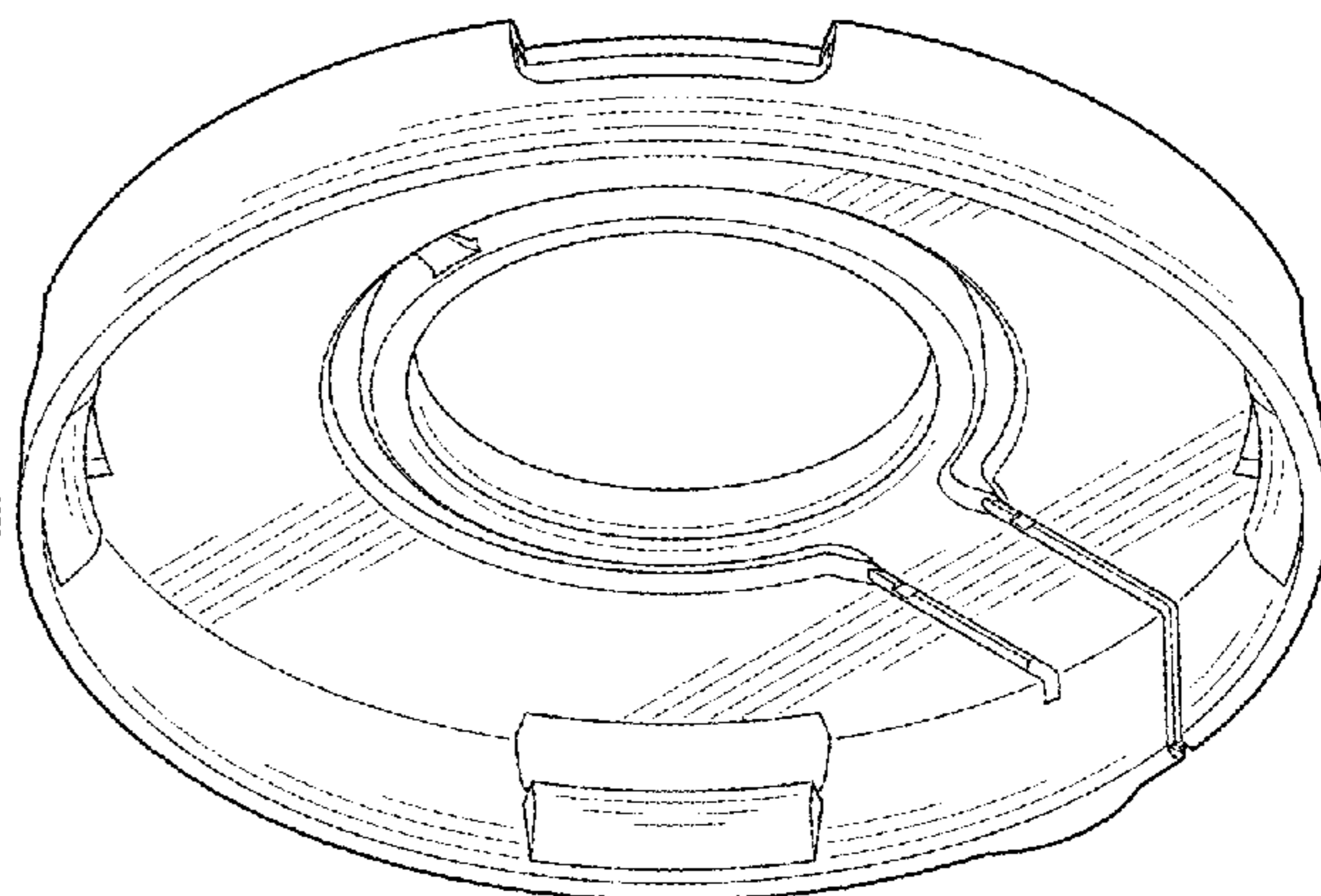
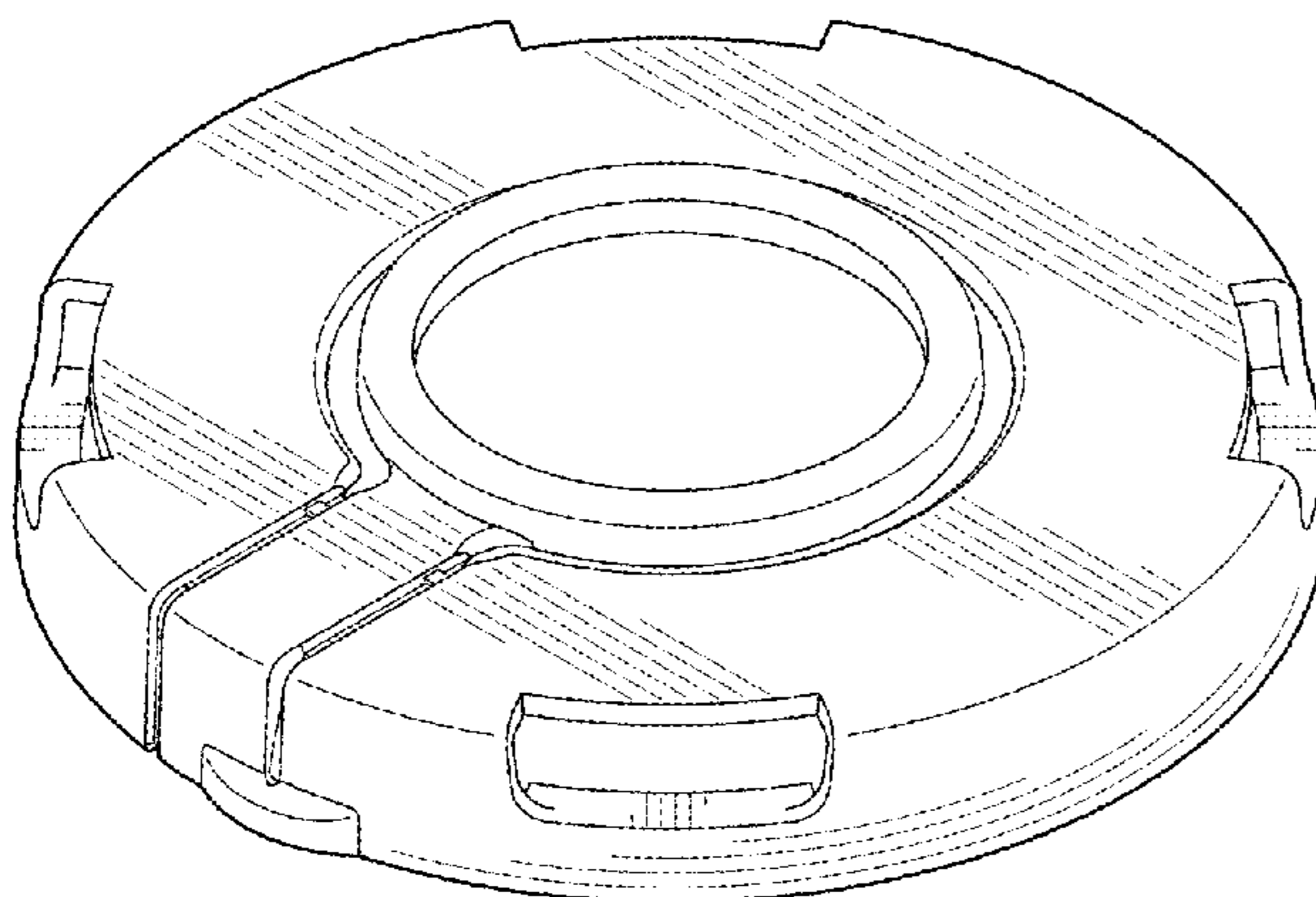
(57) **CLAIM**

The ornamental design for a secure container cover, as
shown and described.

DESCRIPTION

FIG. 1 is a top perspective view of a secure container cover
showing my new design.
FIG. 2 is a bottom perspective view of the secure container
cover of FIG. 1.
FIG. 3 is a top view of the secure container cover of FIG. 1.
FIG. 4 is a bottom view of the secure container cover of FIG.
1.
FIG. 5 is a front view of the secure container cover of FIG.
1.
FIG. 6 is a rear view of the secure container cover of FIG.
1.
FIG. 7 is a right side view of the secure container cover of
FIG. 1; and,
FIG. 8 is a left side view of the secure container cover of
FIG. 1.

1 Claim, 3 Drawing Sheets



(56)

References Cited

U.S. PATENT DOCUMENTS

| | | | | |
|--------------|------|---------|------------------|-------------------------|
| D562,133 | S * | 2/2008 | Liebe | D9/449 |
| D618,099 | S * | 6/2010 | Biesecker | D9/452 |
| D682,107 | S * | 5/2013 | Ramsey | D9/454 |
| D701,700 | S * | 4/2014 | Abdi | D3/318 |
| D717,395 | S * | 11/2014 | Neto | D23/209 |
| D754,304 | S * | 4/2016 | Morris | D23/260 |
| D767,391 | S * | 9/2016 | Buck | D9/447 |
| D809,385 | S * | 2/2018 | Brinkworth | D9/445 |
| D845,767 | S * | 4/2019 | Holmes | D9/454 |
| D848,785 | S * | 5/2019 | Cottam | D7/392 |
| D912,763 | S * | 3/2021 | Huang | D23/209 |
| D918,712 | S * | 5/2021 | Bontrager | D9/428 |
| D934,987 | S * | 11/2021 | Boulay | D23/206 |
| 2005/0092751 | A1 * | 5/2005 | Alvares | B65D 21/0219 220/270 |
| 2008/0224489 | A1 | 9/2008 | Borg | |
| 2016/0167840 | A1 | 6/2016 | Kleppsch | |
| 2021/0245940 | A1 * | 8/2021 | Borg | B65D 55/0863 |

* cited by examiner

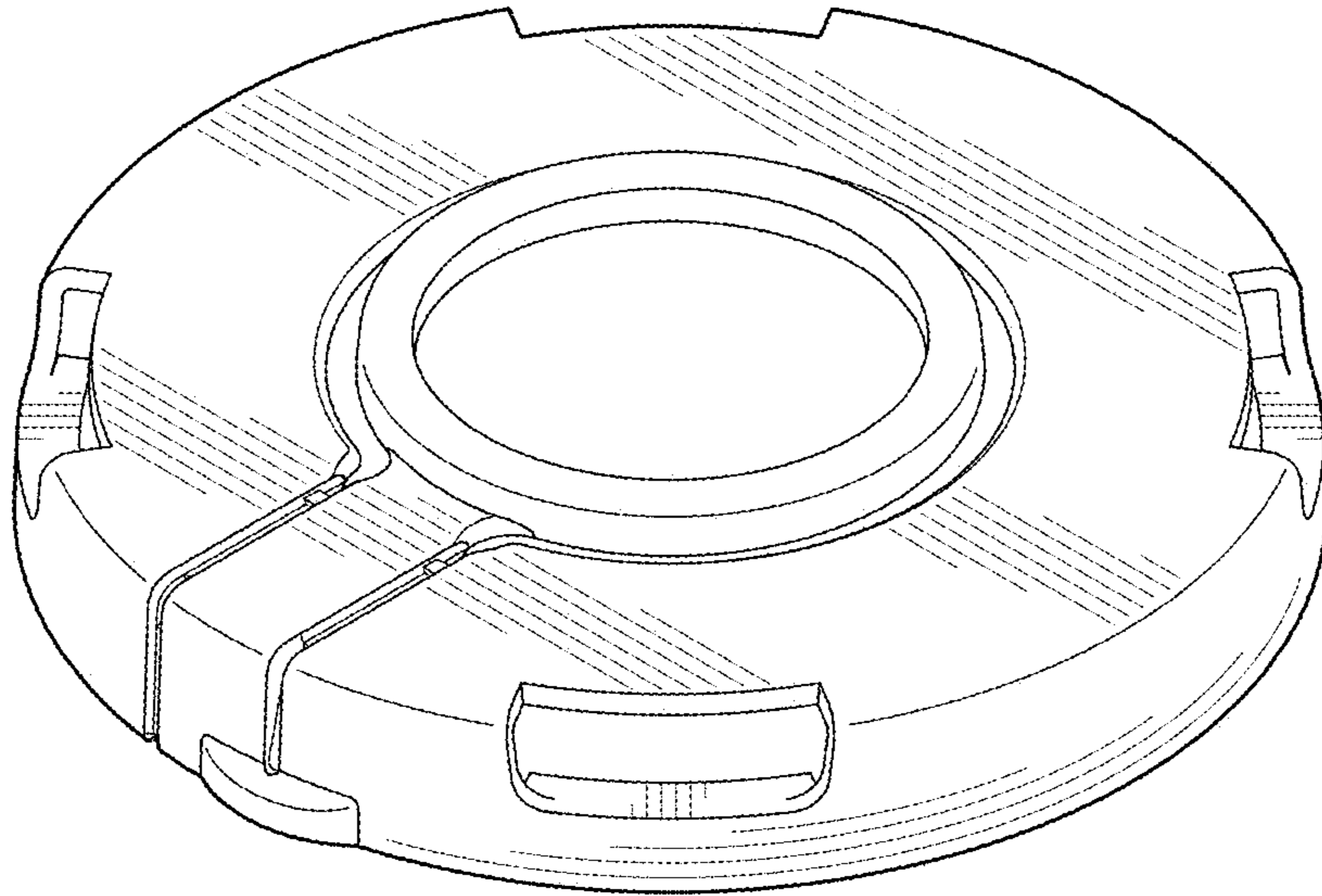


FIG. 1

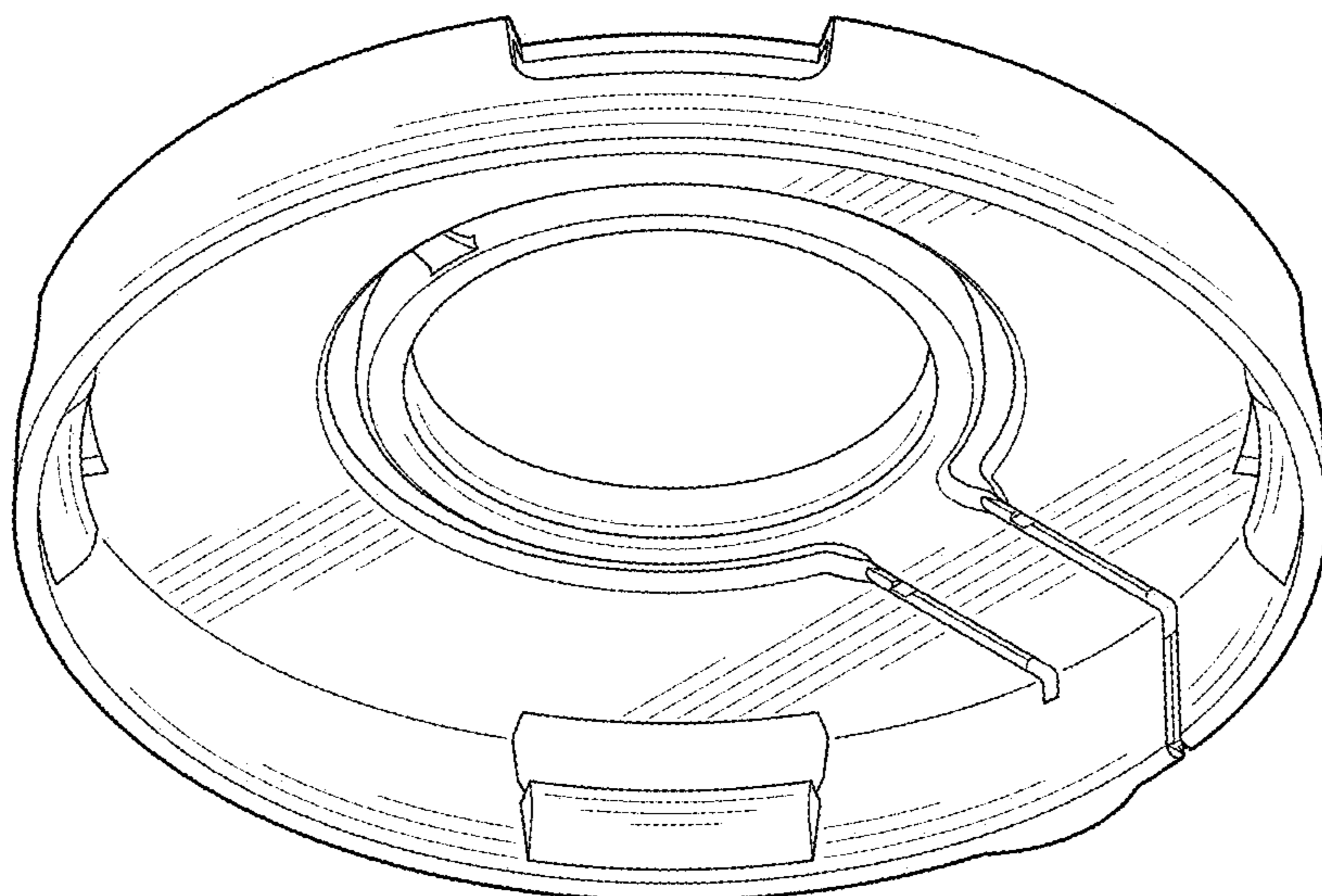


FIG. 2

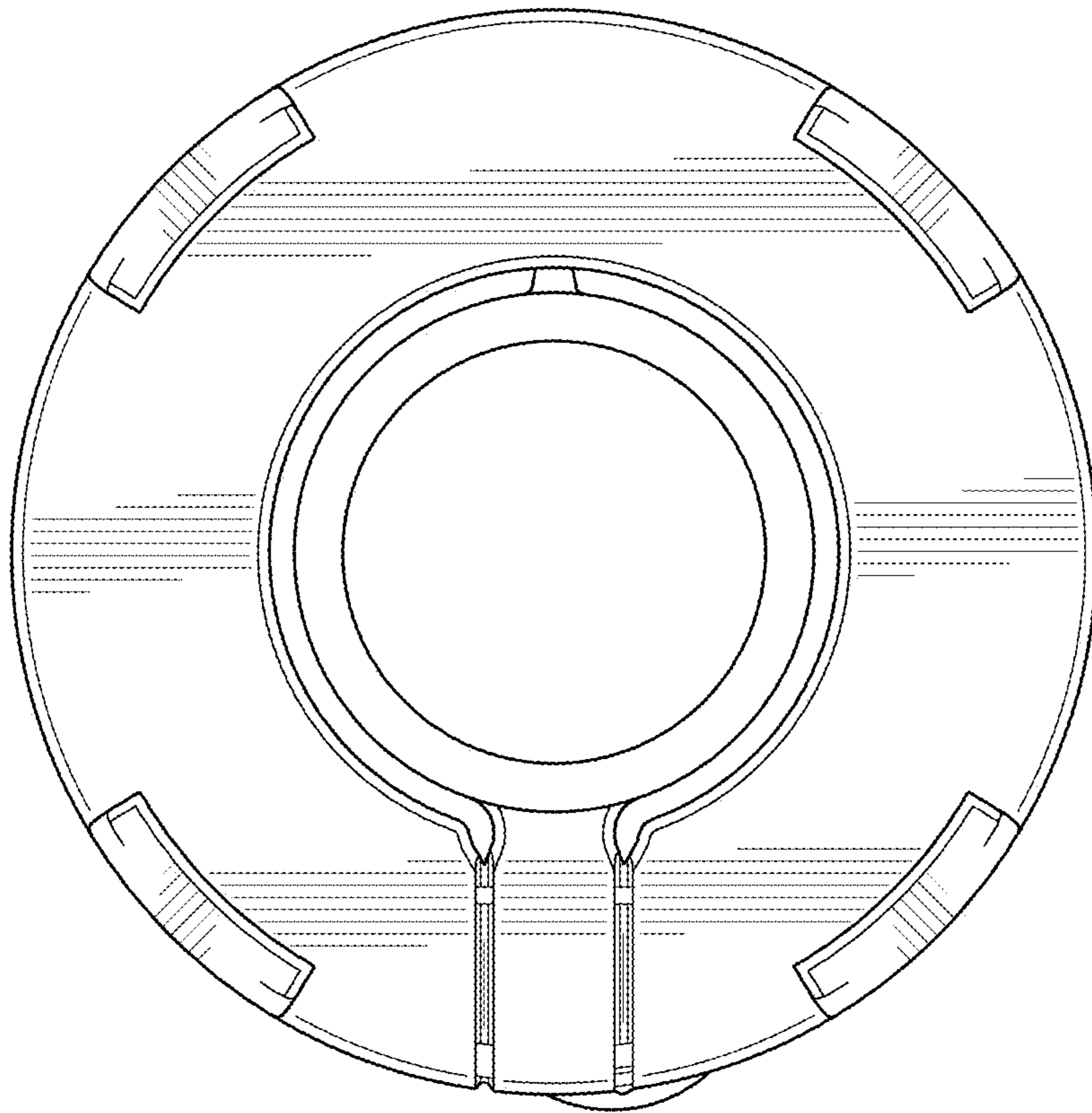


FIG. 3

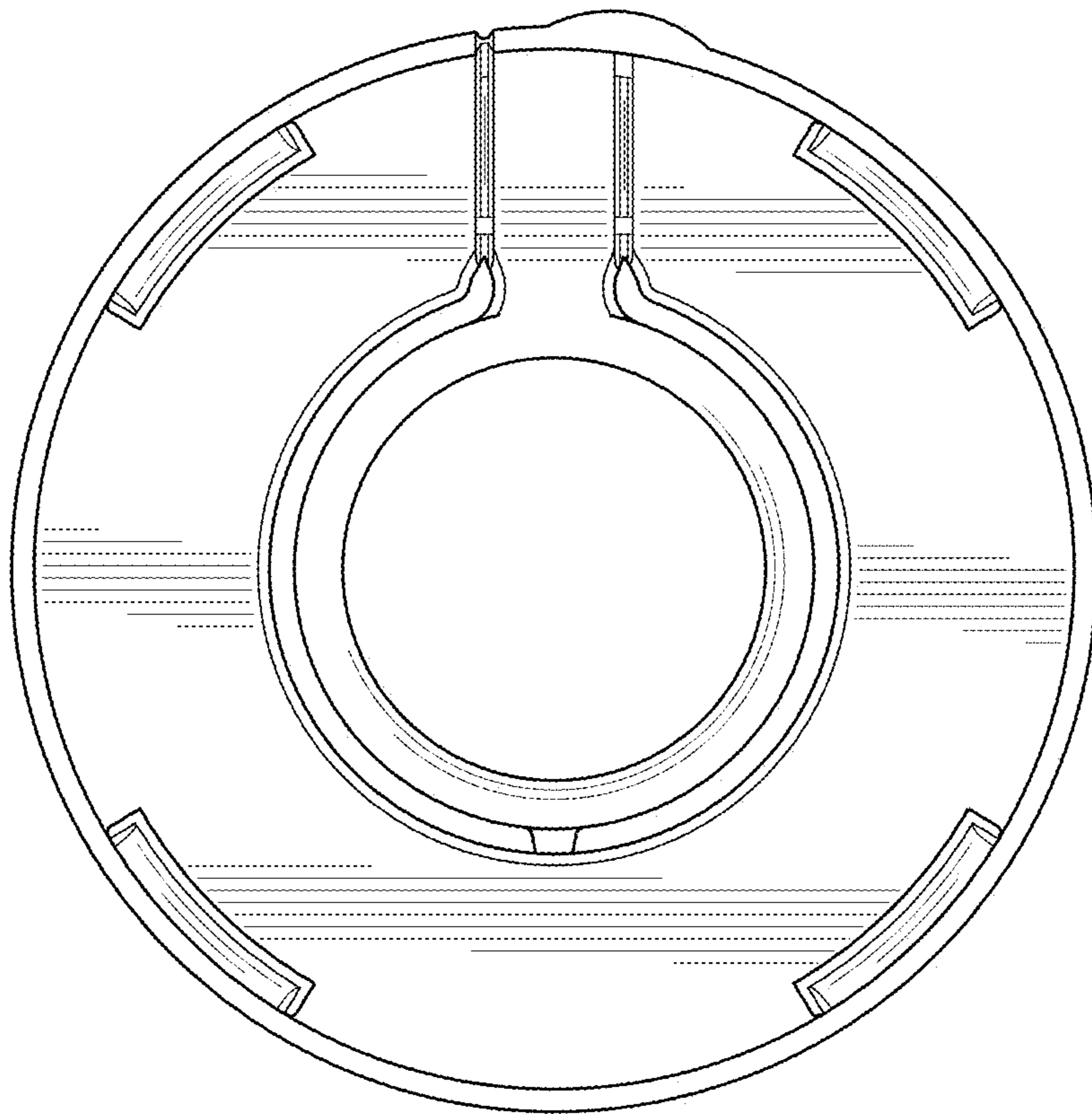


FIG. 4

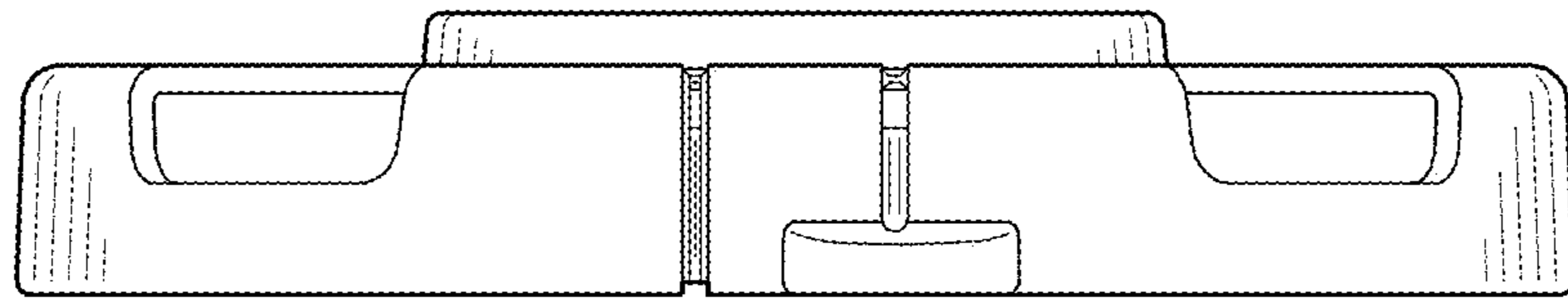


FIG. 5

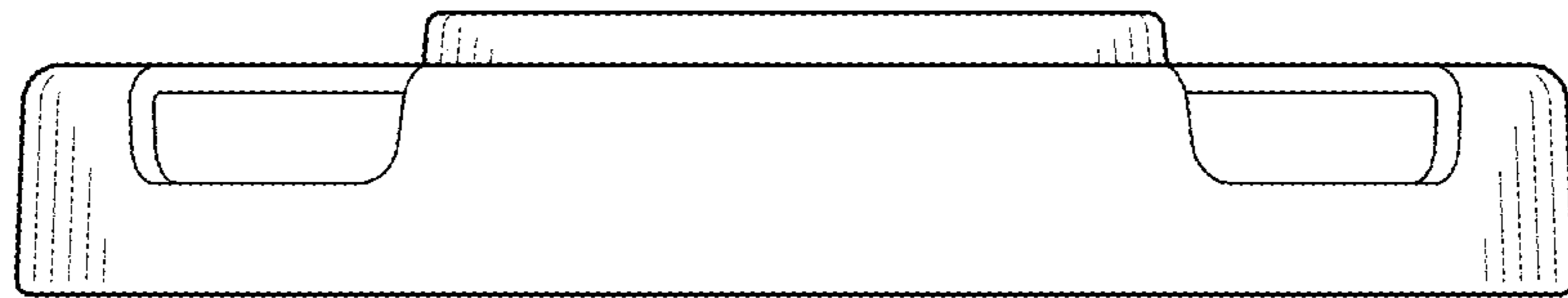


FIG. 6

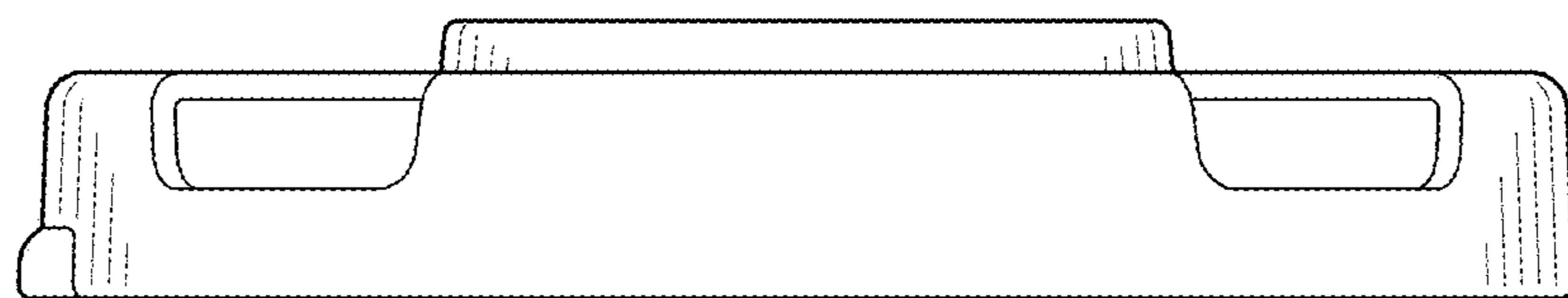


FIG. 7

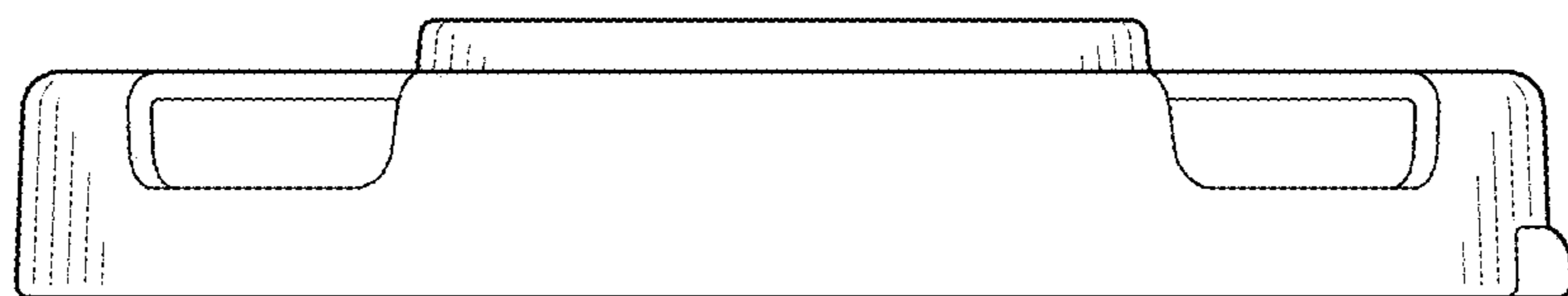


FIG. 8