



US00D957939S

(12) **United States Design Patent** (10) **Patent No.:** **US D957,939 S**  
**Haas** (45) **Date of Patent:** **\*\* Jul. 19, 2022**

(54) **BOTTLE CONTAINER**

FOREIGN PATENT DOCUMENTS

(71) Applicant: **Vinglace LLC**, Houston, TX (US)

DE 573055 C 3/1933  
WO 2008078860 A1 7/2008

(72) Inventor: **Colton Bryan Haas**, Houston, TX (US)

(Continued)

(73) Assignee: **Vinglacé, LLC**, Houston, TX (US)

OTHER PUBLICATIONS

(\*\*) Term: **15 Years**

MiiR, Jul. 16, 2019, MiiR Facebook page post, URL: <https://www.facebook.com/miir/photos/a.10150523400108983/10156709236908983/?type=3&theater> (Year: 2019).\*

(21) Appl. No.: **29/752,140**

(Continued)

(22) Filed: **Sep. 25, 2020**

(51) **LOC (13) Cl.** ..... **09-01**

*Primary Examiner* — Brett Miller

(52) **U.S. Cl.**

*Assistant Examiner* — Rani J Abdallah

USPC ..... **D9/443**; D9/532

(74) *Attorney, Agent, or Firm* — Moyles IP, LLC

(58) **Field of Classification Search**

(57) **CLAIM**

USPC ..... D9/435, 439, 440, 442–449, 450, 454,  
D9/531, 682–694, 723, 532, 575, 503,  
D9/504, 516, 905, 907; D7/321, 391,  
D7/392, 392.1, 396.2, 507, 509–511, 523,  
D7/608, 900, 598; D6/515

The ornamental design of a bottle container, as shown and described.

CPC .... B65D 83/205; B65D 83/206; B65D 83/40;  
B65D 2543/00046; A47G 19/2272

**DESCRIPTION**

See application file for complete search history.

FIG. 1 is a front right top perspective view of a bottle container showing my new design;

(56) **References Cited**

U.S. PATENT DOCUMENTS

D2,659 S *	5/1867	Parkinson	.....	D9/504
RE5,047 E *	9/1872	Evenden	.....	D9/500
1,999,670 A	4/1935	Strouse et al.		
2,419,291 A	4/1947	Senter		
2,599,767 A	6/1952	Long		
D198,054 S *	4/1964	Lowry	.....	D9/504
D199,278 S *	9/1964	Douglas	.....	D9/532
D208,378 S *	8/1967	Waddingtopm	.....	D9/532
D214,422 S *	6/1969	Dan, Jr.	.....	D9/532
3,755,030 A	8/1973	Doman et al.		
D233,641 S *	11/1974	Roche	.....	D9/532
4,299,100 A	11/1981	Crisman et al.		

FIG. 2 is a front right bottom perspective view of the bottle container of FIG. 1;

FIG. 3 is a front elevated view of the bottle container of FIG. 1;

FIG. 4 is a rear elevated view of the bottle container of FIG. 1;

FIG. 5 is a right side elevated view of the bottle container of FIG. 1;

FIG. 6 is a left side elevated view of the bottle container of FIG. 1;

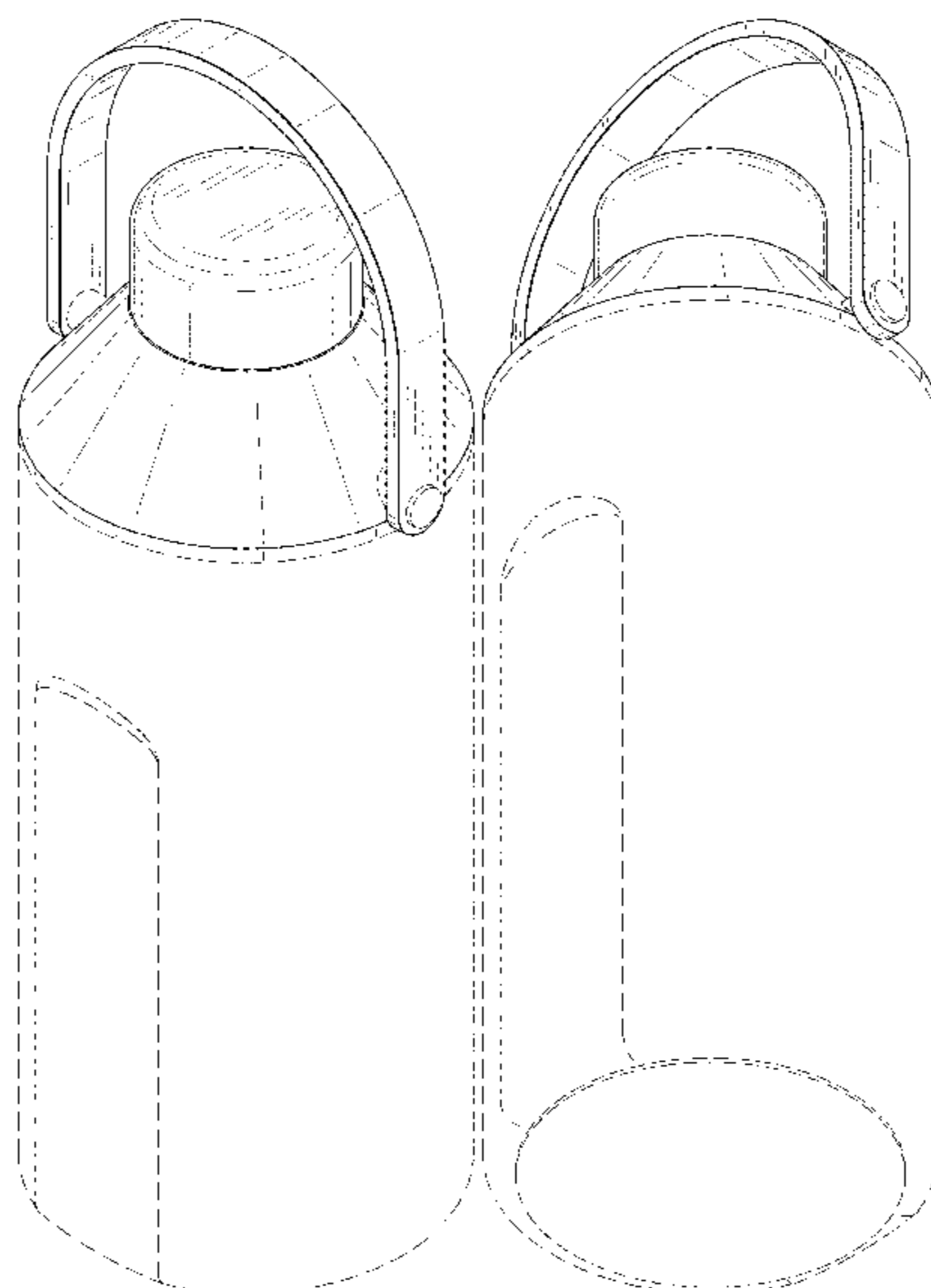
FIG. 7 is a top plan view of the bottle container of FIG. 1; and,

FIG. 8 is a bottom plan view of the bottle container of FIG. 1.

The broken lines consisting of dashes show an environment that forms no part of the claimed design.

(Continued)

**1 Claim, 7 Drawing Sheets**



(56)

References Cited

U.S. PATENT DOCUMENTS

D266,400 S \* 10/1982 Shatz ..... D9/503  
 D269,059 S \* 5/1983 Steyn ..... D7/608  
 4,510,769 A 4/1985 McClellan, Jr.  
 4,815,287 A 3/1989 O'daniel  
 4,823,974 A 4/1989 Crosser  
 4,870,837 A 10/1989 Weins  
 5,301,857 A 4/1994 Green  
 5,904,267 A 5/1999 Thompson  
 5,921,431 A 7/1999 Pych  
 D433,225 S 11/2000 Deiss et al.  
 6,155,452 A 12/2000 Laurent  
 6,231,801 B1 5/2001 Boutaghou  
 6,237,801 B1 5/2001 Liu  
 6,516,967 B2 2/2003 Duff et al.  
 6,604,649 B1 8/2003 Campi  
 7,201,285 B2 4/2007 Beggins  
 7,270,244 B1 9/2007 Liu  
 D571,665 S \* 6/2008 Sanders ..... D9/503  
 D596,500 S 7/2009 Diss et al.  
 D605,040 S \* 12/2009 Fry ..... D9/562  
 D620,357 S \* 7/2010 Jewett ..... D9/443  
 D620,358 S \* 7/2010 Jewett ..... D9/454  
 D627,601 S 11/2010 Eyal  
 D633,338 S 3/2011 Rosbach et al.  
 8,181,801 B2 5/2012 Nuotio et al.  
 D672,609 S \* 12/2012 Aziz ..... D7/510  
 D698,244 S 1/2014 Lin  
 D699,516 S 2/2014 Kim et al.  
 D700,802 S \* 3/2014 Miller ..... D7/392.1  
 D714,644 S 10/2014 Wagner et al.  
 D724,385 S \* 3/2015 Hurley ..... D7/511  
 D724,894 S 3/2015 Brosius  
 D731,856 S \* 6/2015 Hill ..... B65D 47/32  
 D753,442 S 4/2016 Weernink  
 D765,471 S 9/2016 Gorbald  
 D774,826 S 12/2016 Boroski  
 D776,564 S 1/2017 Seth-Andersson  
 D787,939 S 5/2017 Lam  
 D790,624 S 6/2017 Matsushita et al.  
 D796,901 S \* 9/2017 Pisarevsky ..... D7/510  
 D798,110 S 9/2017 Valenti et al.  
 D799,274 S \* 10/2017 Hewitt ..... D7/509  
 D802,365 S 11/2017 Yao  
 D803,064 S 11/2017 Marina et al.  
 D811,818 S \* 3/2018 Wu ..... D7/510  
 D812,428 S \* 3/2018 Wu ..... D7/510  
 9,988,202 B2 6/2018 Haas  
 D830,126 S \* 10/2018 Rohe ..... D7/510  
 D830,783 S \* 10/2018 Diener ..... D7/510  
 D832,650 S \* 11/2018 Diebel ..... D7/511  
 D840,237 S \* 2/2019 Khetarpaul ..... D9/551  
 D841,469 S \* 2/2019 Christianson ..... D9/454  
 D849,482 S \* 5/2019 Diener ..... D7/510  
 D850,857 S \* 6/2019 Bruner ..... D7/509  
 D851,996 S \* 6/2019 Umholtz ..... D7/511  
 D856,082 S \* 8/2019 Yao ..... D7/511  
 D857,446 S \* 8/2019 Bell ..... D7/392.1  
 D857,456 S \* 8/2019 Bell ..... D7/511  
 D859,998 S \* 9/2019 Lee ..... D9/690  
 D865,448 S \* 11/2019 Jacobsen ..... D7/511  
 D865,449 S \* 11/2019 Jacobsen ..... D7/511  
 D865,450 S \* 11/2019 Jacobsen ..... D7/511  
 D866,258 S \* 11/2019 Jacobsen ..... D7/511  
 D866,259 S \* 11/2019 Jacobsen ..... D7/511  
 D866,260 S \* 11/2019 Jacobsen ..... D7/511  
 D867,067 S \* 11/2019 Jacobsen ..... D7/511  
 D867,820 S \* 11/2019 Jacobsen ..... D7/511  
 D868,537 S \* 12/2019 Jacobsen ..... D7/511  
 D868,538 S \* 12/2019 Jacobsen ..... D7/511  
 D871,852 S \* 1/2020 Haas ..... D7/510  
 D874,224 S \* 2/2020 Omdahl, II ..... D7/509  
 D874,285 S \* 2/2020 Yourist ..... D7/509  
 D877,571 S \* 3/2020 Eyal ..... D7/510  
 D881,649 S \* 4/2020 Fleischhut ..... D7/510

D885,836 S \* 6/2020 Wang ..... D7/510  
 10,703,553 B2 7/2020 Haas  
 D893,246 S \* 8/2020 Monaghan ..... D7/396.2  
 D894,738 S \* 9/2020 Hexemer ..... D9/454  
 10,787,304 B2 9/2020 Haas  
 D897,849 S \* 10/2020 Hawry ..... D9/454  
 D900,536 S \* 11/2020 Yao ..... D7/392.1  
 D901,974 S \* 11/2020 Gack ..... D7/511  
 D901,976 S \* 11/2020 Sibbert ..... D7/511  
 D901,977 S \* 11/2020 Crampton ..... D7/511  
 D908,433 S \* 1/2021 Sapire ..... D7/511  
 10,919,661 B2 \* 2/2021 Hewitt ..... A47J 41/0061  
 D923,406 S \* 6/2021 Tsigounis ..... A47J 41/0061  
 D923,428 S \* 6/2021 Haas ..... D7/396.2  
 D931,060 S \* 9/2021 Volkoff ..... D7/608  
 D931,687 S \* 9/2021 Volkoff ..... A47J 41/028  
 D931,687 S \* 9/2021 Volkoff ..... D7/510  
 11,172,784 B2 \* 11/2021 Pinelli ..... A47J 41/028  
 D944,056 S \* 2/2022 Paparao ..... D7/511  
 D945,219 S \* 3/2022 Petersson ..... D7/511  
 D945,220 S \* 3/2022 Petersson ..... D7/511  
 D946,347 S \* 3/2022 Zhang ..... D7/392.1  
 D946,965 S \* 3/2022 Sapire ..... D7/392.1  
 D948,286 S \* 4/2022 Lin ..... D7/511  
 D950,316 S \* 5/2022 Wang ..... D7/511  
 2003/0197020 A1 10/2003 Murakami et al.  
 2008/0135554 A1 6/2008 Hill et al.  
 2008/0179335 A1 7/2008 Lee et al.  
 2010/0084362 A1 4/2010 Letchinger et al.  
 2012/0292219 A1 11/2012 Terwilliger et al.  
 2013/0153591 A1 6/2013 Grimes et al.  
 2013/0327738 A1 12/2013 Harrison  
 2016/0090216 A1 3/2016 Joyce  
 2017/0137207 A1 5/2017 Mackintosh et al.  
 2017/0166385 A1 6/2017 Pisarevsky  
 2018/0043731 A1 2/2018 Cheng  
 2019/0009972 A1 1/2019 Spivey et al.

FOREIGN PATENT DOCUMENTS

WO 2015191566 A1 12/2015  
 WO 2018064126 A1 4/2018

OTHER PUBLICATIONS

Thesecondknob.com,1900s,NYCRR, 1 Gal tin Fuel Can, early 1900's, Bail Handle, E.1900's, URL:https://www.thesecondknob.com/tin-fuel-can-w-screw-on-lid-marked-nycrr-1-gal-bai.html (Year: 1900).\*

United States Patent and Trademark Office; Non-Final Office Action for U.S. Appl. No. 15/641,924; dated Sep. 30, 2020; 11 pages.

European Patent Office; Examination Report for EP Application No. 17781598.2; dated Mar. 31, 2021; 8 pages.

United States Patent and Trademark Office; Notice of Allowance for U.S. Appl. No. 29/748,002; dated Mar. 15, 2021; 5 pages.

Bottlekeeper, Bottlekeeper, Apr. 25, 2013, https://www.bottlekeeper.com/, 6 pages.

Brevino, Gregio Brevino, Nov. 14, 2015, https://www.brevino.com/shop/gregio-brevino, 4 pages.

EPO, Examination Report of European Application No. 17781598.2, which is in the same family as U.S. Appl. No. 29/713,086, dated Feb. 11, 2020, 2 pgs.

International Searching Authority, International Preliminary Report on Patentability of International Application No. PCT/US2017/053642 dated Apr. 2, 2019, 7 pgs.

International Searching Authority, International Search Report and Written Opinion of International App. No PCT/US2017/053642, dated Nov. 27, 2017, 11 pgs.

United States Patent and Trademark Office; Notice of Allowance for U.S. Appl. No. 29/713,086; dated Jun. 22, 2020; 6 pages.

USPTO, Ex Parte Quayle of U.S. Appl. No. 15/699,462, dated Jan. 29, 2018, 9 pgs.

USPTO, Final Office Action of U.S. Appl. No. 16/334,793, dated May 1, 2020, 7 pgs.

(56)

**References Cited**

OTHER PUBLICATIONS

USPTO, Final Office Action of U.S. Appl. No. 16/562,474, dated Apr. 30, 2020, 8 pgs.

USPTO, Notice of Allowance for U.S. Appl. No. 16/334,793, dated May 28, 2020, 6 pgs.

USPTO, Notice of Allowance for U.S. Appl. No. 15/699,462, dated Mar. 29, 2018, 7 pgs.

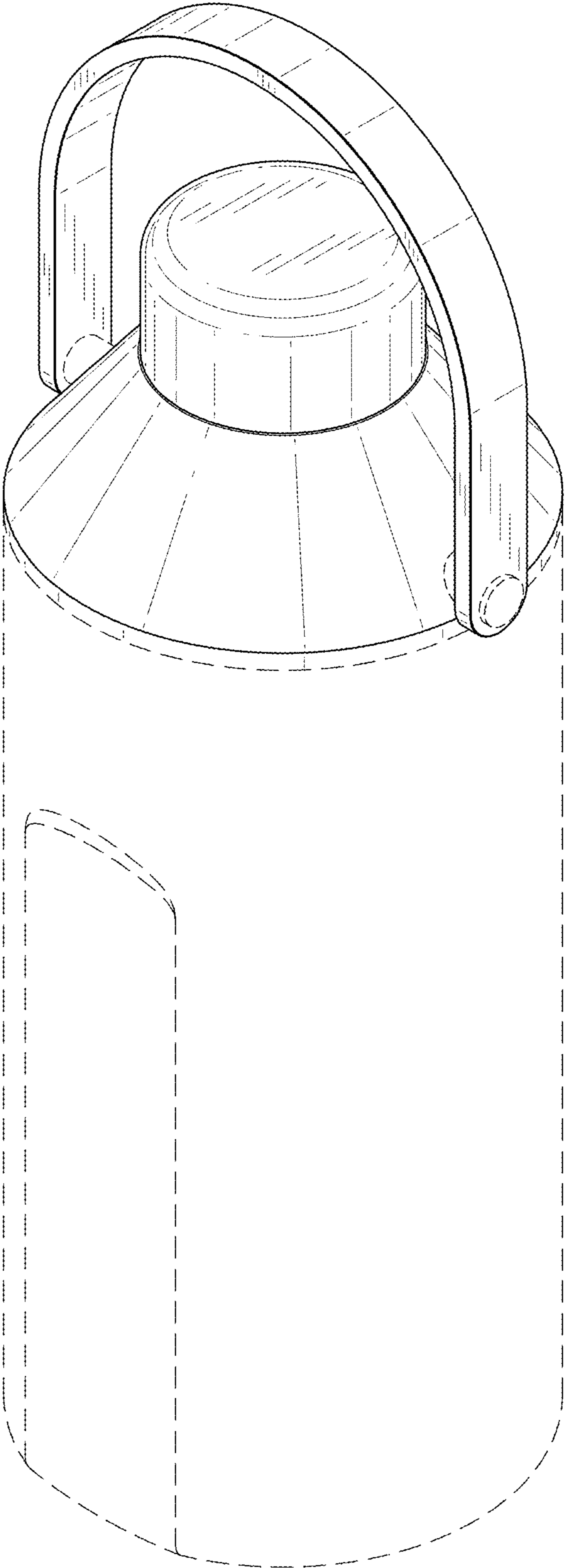
USPTO, Notice of Allowance for U.S. Appl. No. 16/562,474, dated Aug. 20, 2020, 7 pgs.

USPTO, Office Action of U.S. Appl. No. 16/334,793, dated Sep. 27, 2019, 25 pgs.

USPTO, Office Action of U.S. Appl. No. 16/562,474, dated Oct. 29, 2019, 25 pgs.

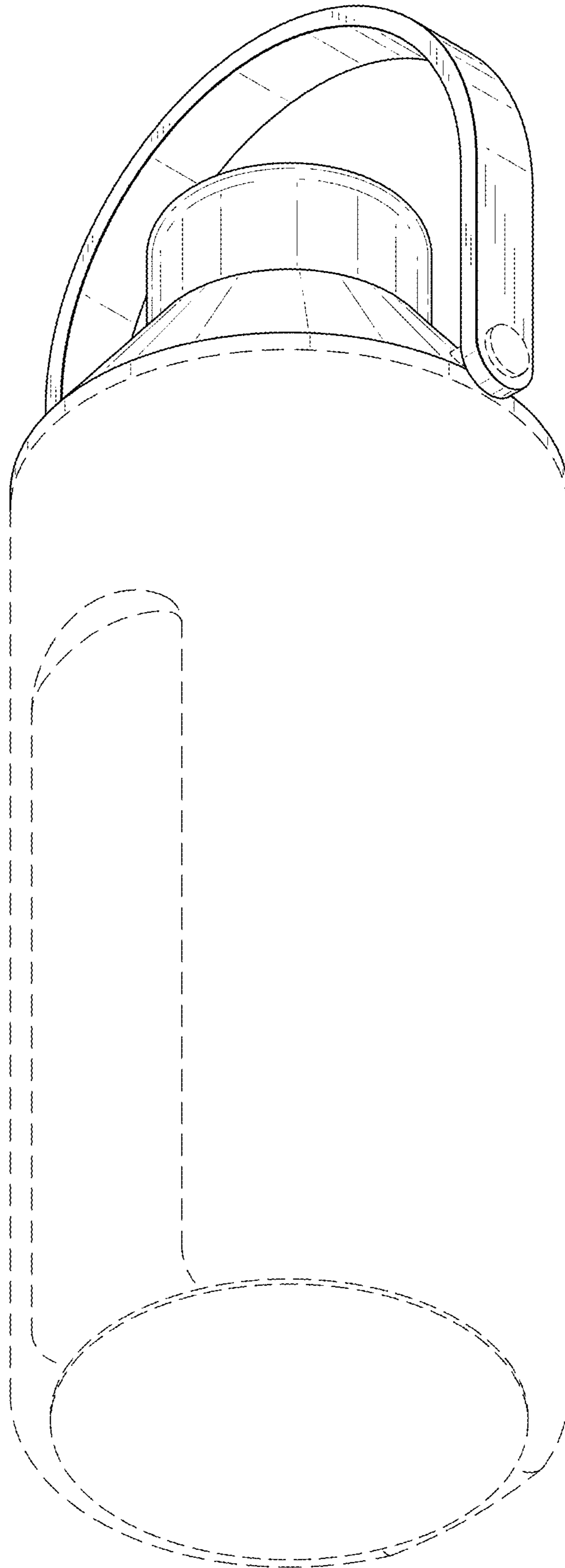
USPTO, Restriction Requirement for U.S. Appl. No. 15/699,462, dated Dec. 6, 2017, 6 pgs.

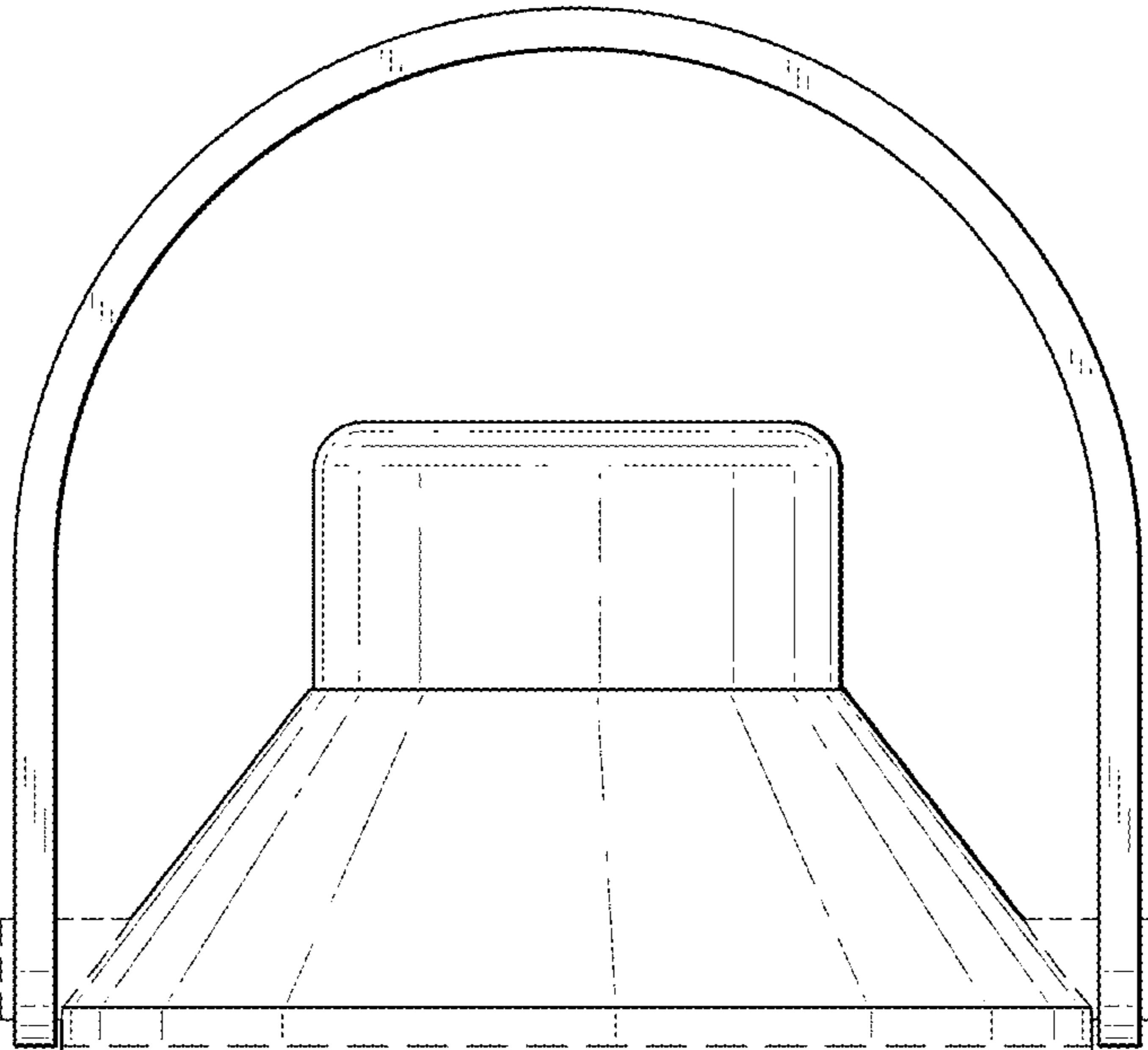
\* cited by examiner



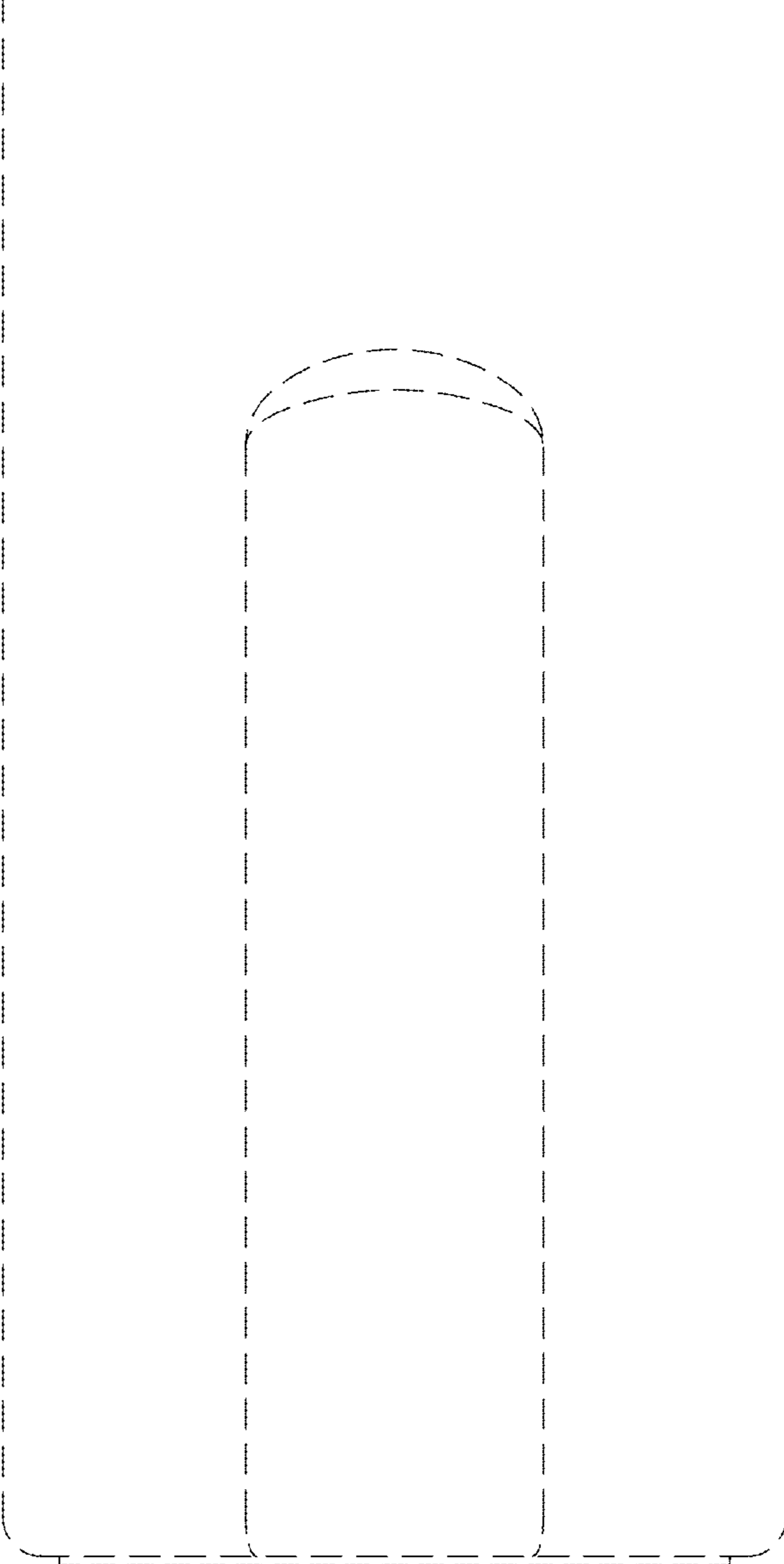
**FIG. 1**

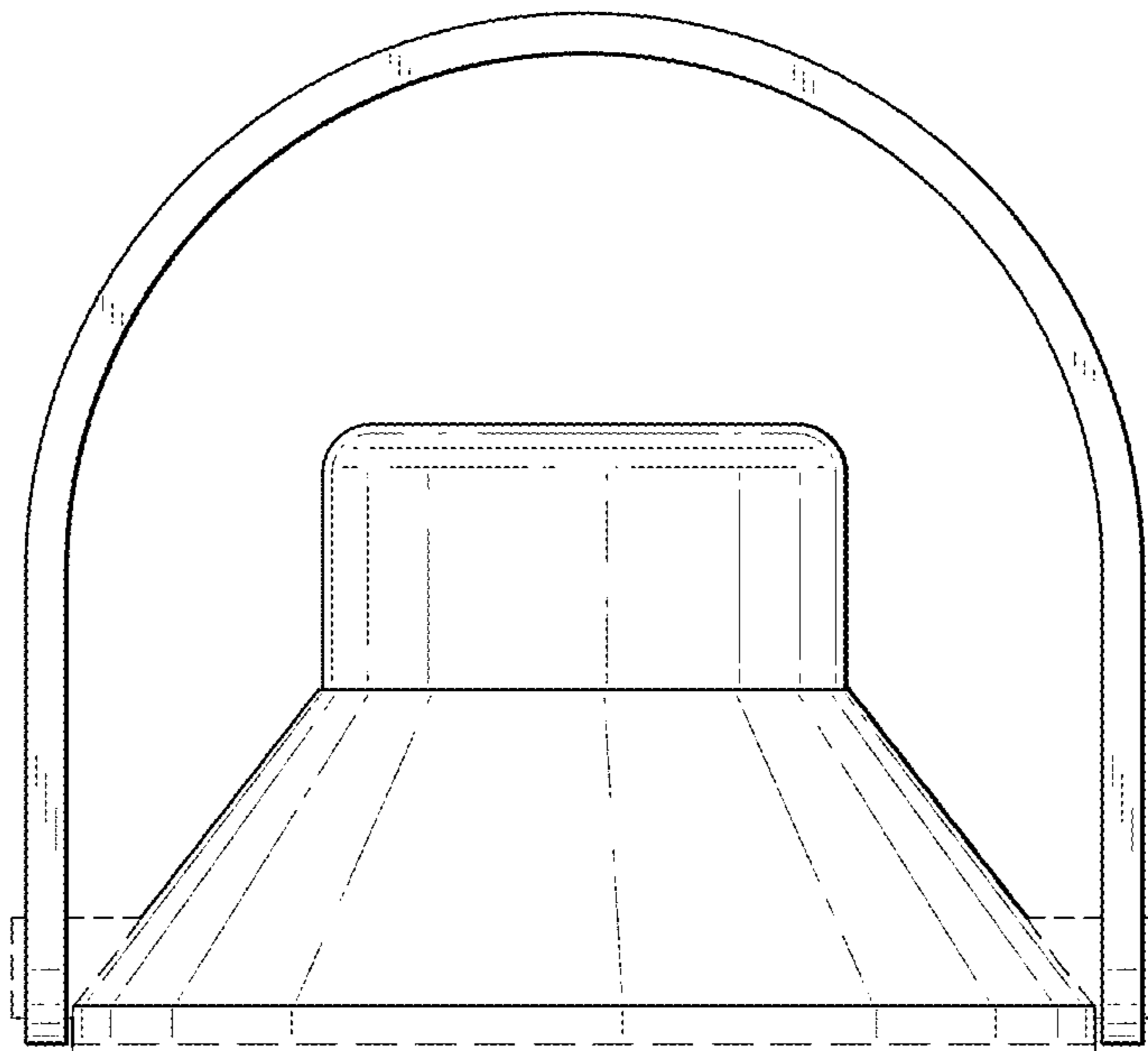
**FIG. 2**



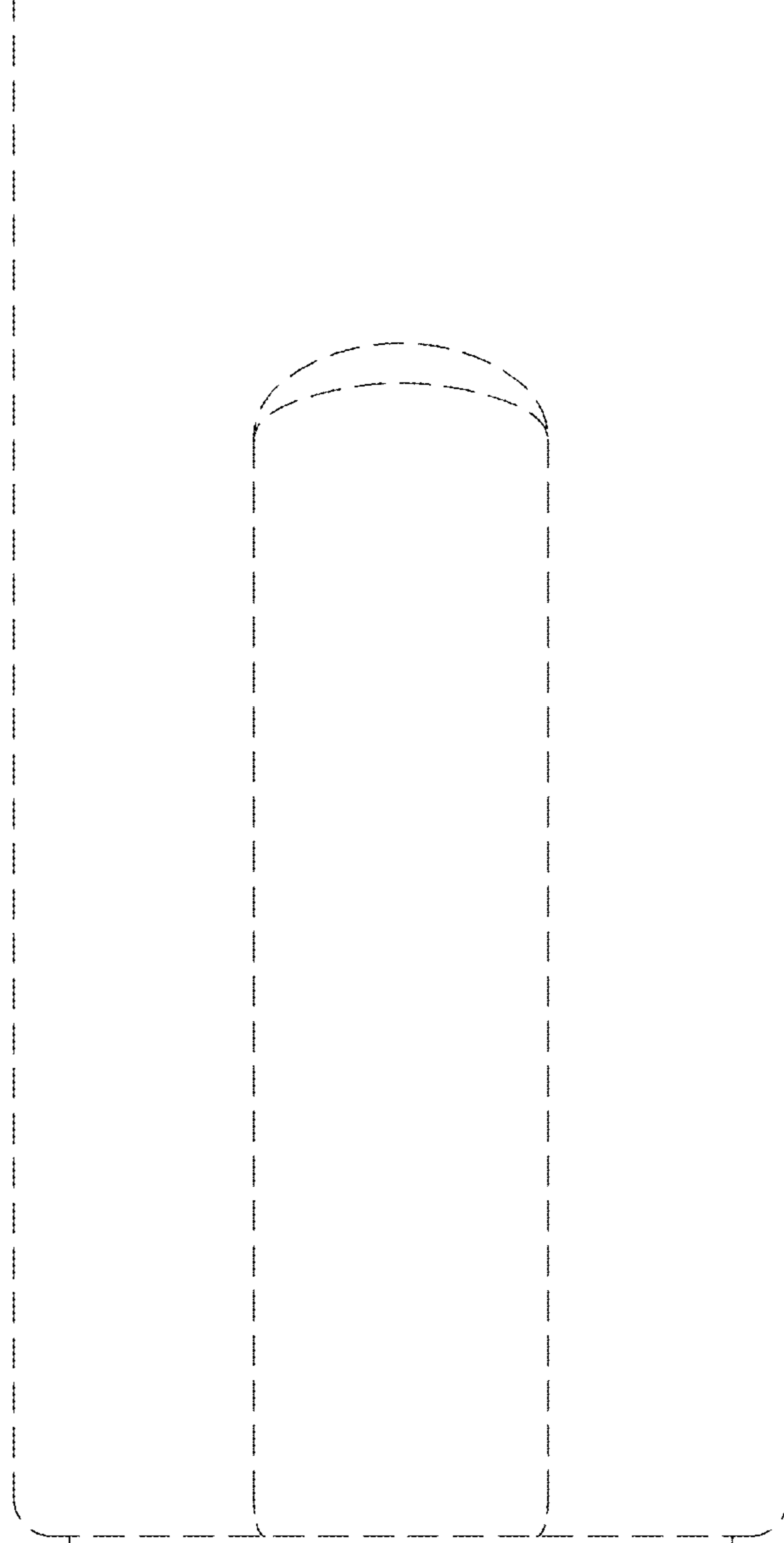


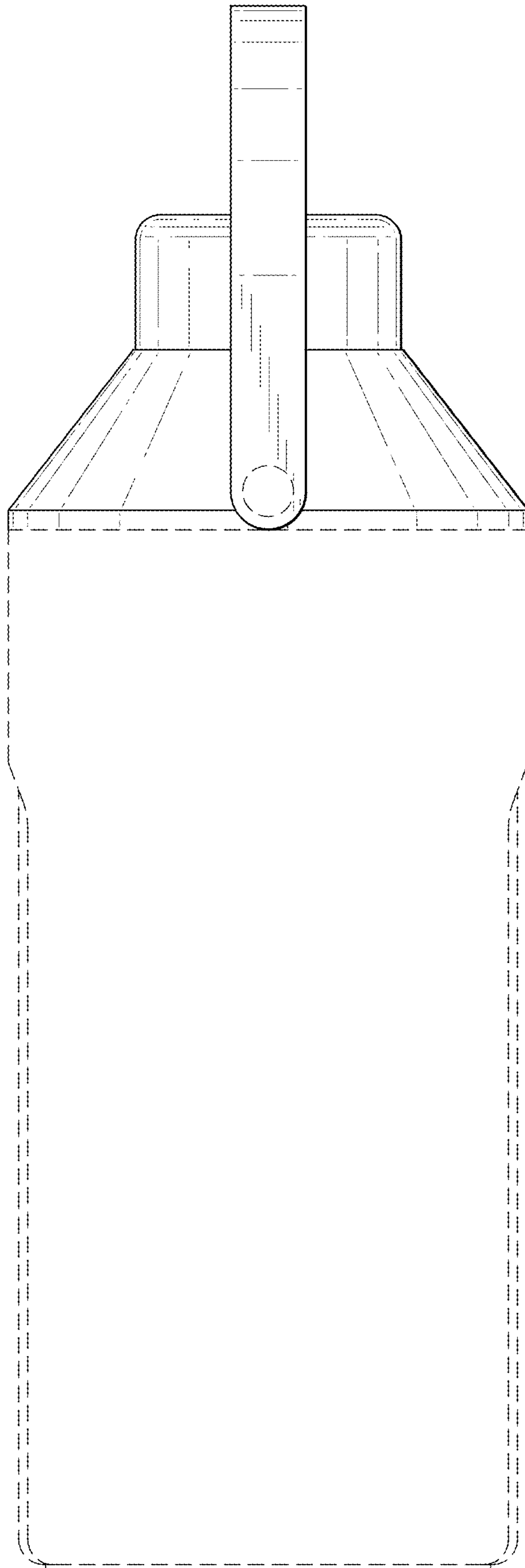
**FIG. 3**





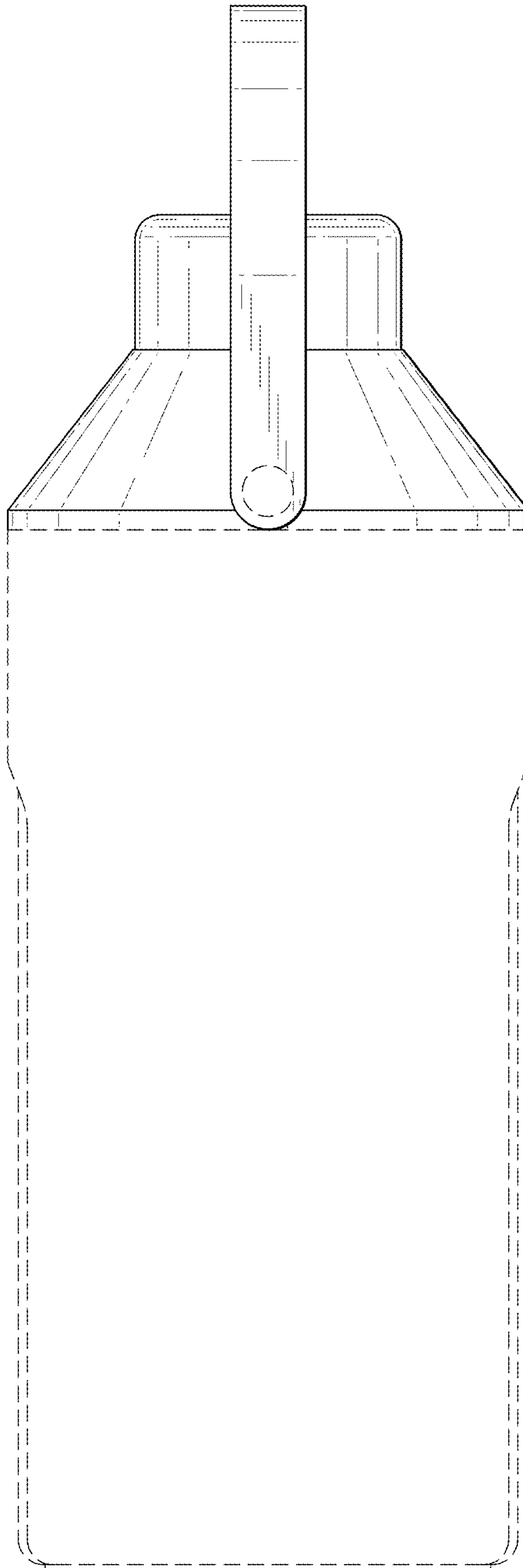
**FIG. 4**



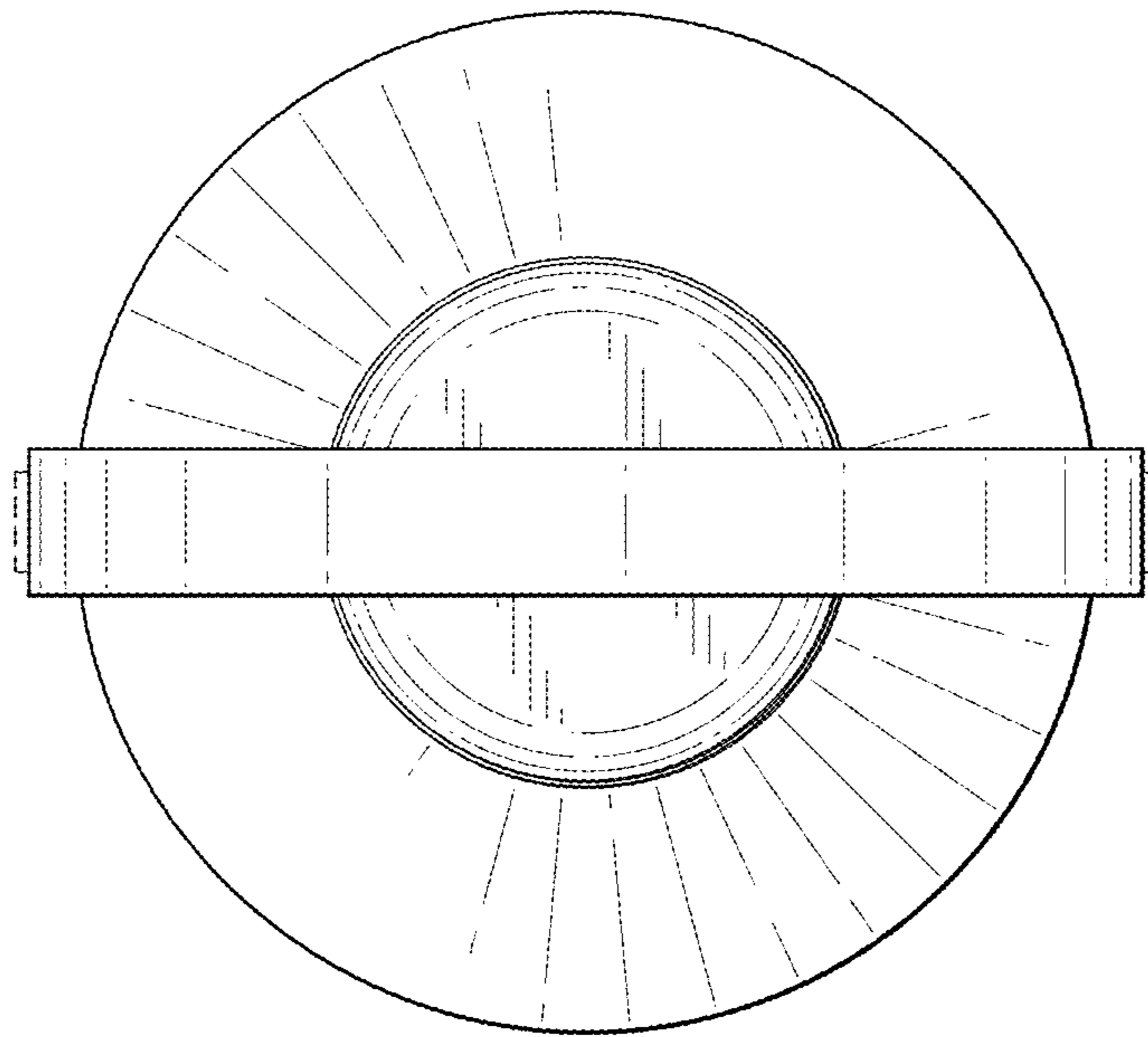


**FIG. 5**

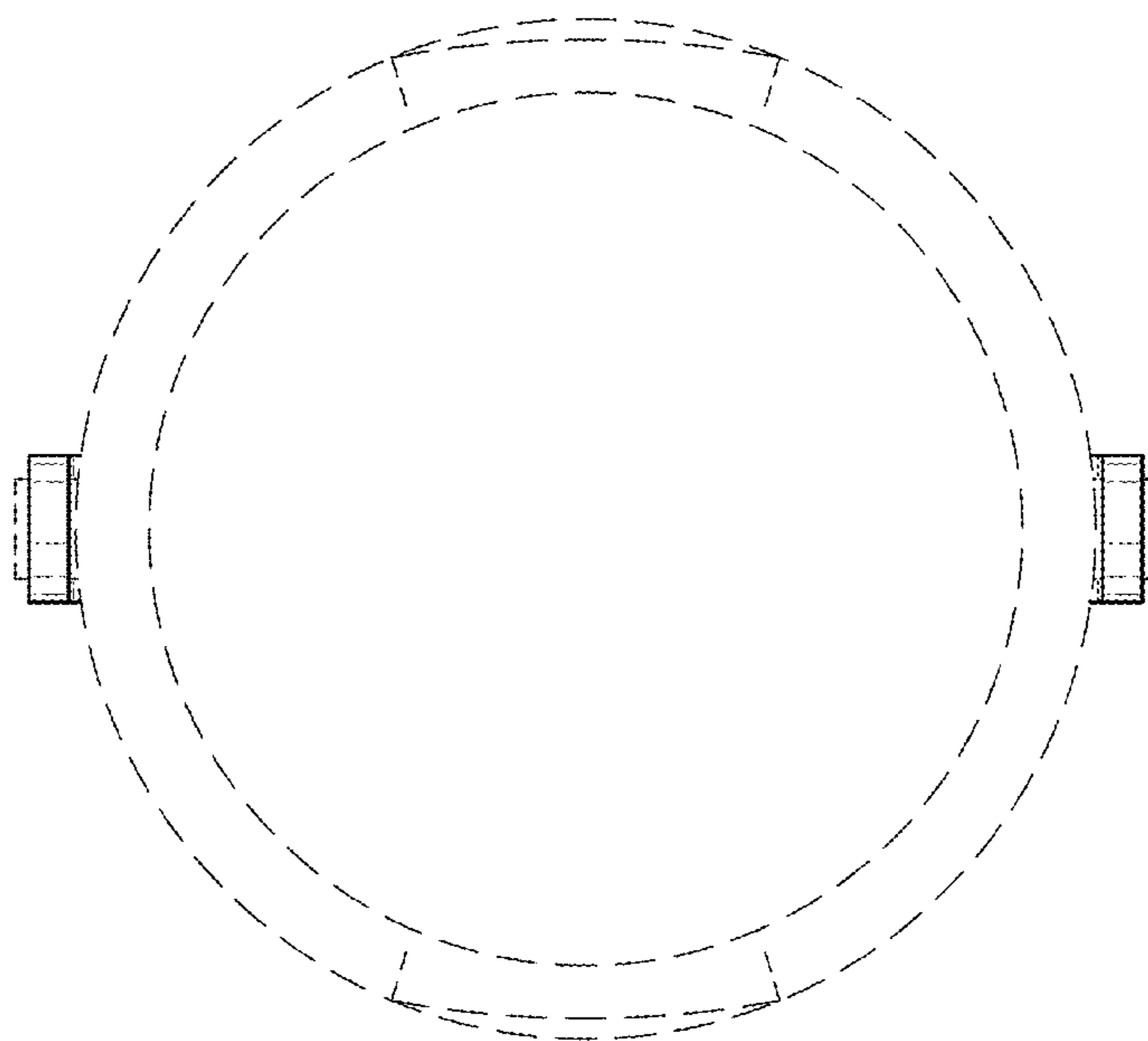




**FIG. 6**



**FIG. 7**



**FIG. 8**