



(56)

References Cited

U.S. PATENT DOCUMENTS

2,847,774 A 8/1958 Brooks  
 3,164,250 A \* 1/1965 Paxton ..... B65B 51/043  
 206/820  
 D200,574 S \* 3/1965 Howell ..... D32/66  
 3,264,698 A 8/1966 Wright  
 3,270,872 A 9/1966 Paxton  
 3,270,873 A 9/1966 Paxton  
 3,270,874 A 9/1966 Hilton  
 3,417,912 A \* 12/1968 Paxton ..... B65D 33/1625  
 24/30.5 R  
 3,668,818 A 6/1972 Holmes  
 3,732,662 A 5/1973 Paxton  
 4,026,413 A 5/1977 Britt et al.  
 4,361,935 A 12/1982 Paxton  
 4,379,372 A 4/1983 Alexander et al.  
 D272,370 S \* 1/1984 Fontaine ..... D20/27  
 4,509,231 A 4/1985 Paxton  
 4,519,178 A 5/1985 Crabb, Jr.  
 D289,131 S 4/1987 Stehouwer  
 4,694,542 A 9/1987 Koppe  
 4,760,624 A 8/1988 Fish  
 4,783,886 A 11/1988 Koppe  
 D299,434 S 1/1989 Burford  
 4,896,366 A \* 1/1990 Oxman ..... B65D 33/1625  
 24/30.5 S  
 D306,043 S 2/1990 Hickmott  
 4,911,293 A 3/1990 Holmes  
 5,138,748 A 8/1992 Welles  
 5,311,646 A 5/1994 Eischen, Sr.  
 5,311,689 A \* 5/1994 Lindsey ..... A44C 5/0046  
 224/267  
 D356,600 S \* 3/1995 Hibbs ..... D20/22  
 5,617,656 A 4/1997 Ludlow et al.  
 5,697,177 A 12/1997 Ludlow et al.  
 5,913,619 A 6/1999 Lowe  
 6,058,639 A \* 5/2000 Tinklenberg ..... G09F 3/04  
 40/637  
 6,146,729 A \* 11/2000 Nihda ..... G03C 3/00  
 428/40.1  
 D443,899 S \* 6/2001 Stephens ..... D20/22  
 6,481,771 B1 11/2002 Friedman  
 D503,091 S 3/2005 Burr et al.  
 D505,064 S \* 5/2005 Kampfer ..... D8/396  
 D505,324 S 5/2005 Burr et al.  
 D505,699 S \* 5/2005 Lawson ..... D20/23  
 D506,387 S 6/2005 Burr et al.  
 D508,201 S 8/2005 Burr et al.  
 D510,861 S 10/2005 Burr et al.  
 D511,450 S \* 11/2005 Seth ..... D8/396  
 7,004,441 B1 2/2006 Rutland  
 D516,908 S 3/2006 Burr et al.  
 D535,701 S \* 1/2007 Lawson ..... D20/23  
 D539,140 S 3/2007 Irwin  
 7,249,991 B1 7/2007 Watson  
 D554,191 S \* 10/2007 Johnson ..... D20/28  
 D556,265 S \* 11/2007 Cuzzocrea ..... D20/40  
 D563,602 S \* 3/2008 Armentrout ..... D29/101.1  
 D568,389 S 5/2008 Hammad  
 D592,252 S 5/2009 Crosby et al.  
 D611,545 S \* 3/2010 Williams ..... D20/28  
 D626,993 S 11/2010 Law et al.  
 D627,827 S \* 11/2010 Rogers ..... D20/27

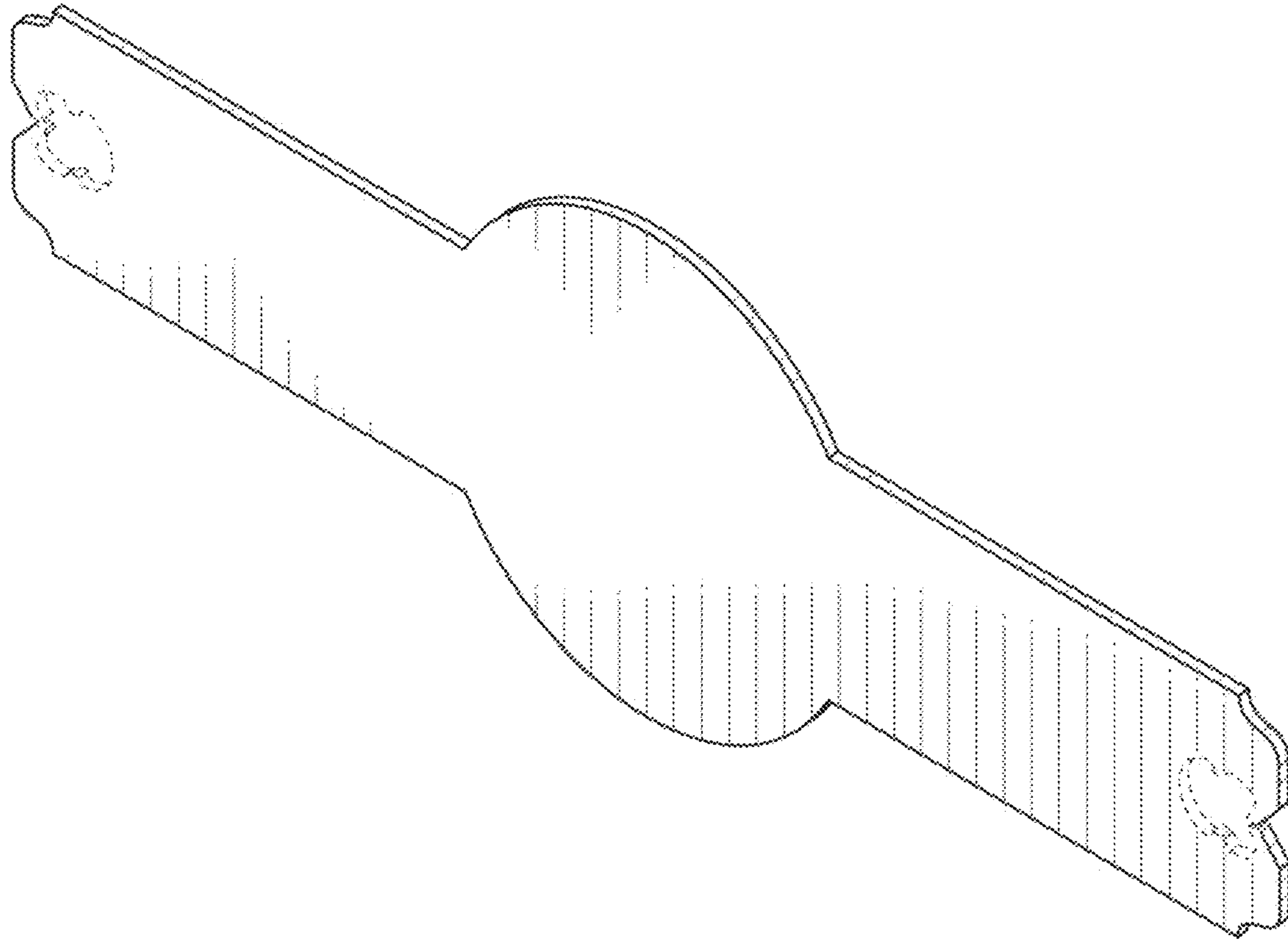
D630,328 S \* 1/2011 Fishburne, Jr. .... D24/152  
 D636,028 S \* 4/2011 Widener ..... D20/28  
 D656,011 S \* 3/2012 Leu ..... D9/434  
 D656,012 S \* 3/2012 Leu ..... D9/434  
 D676,337 S \* 2/2013 Vulgamott ..... D9/711  
 D681,831 S \* 5/2013 Samlaska ..... D24/189  
 D681,832 S \* 5/2013 Samlaska ..... D24/189  
 8,550,423 B2 10/2013 Taylor et al.  
 D700,336 S 2/2014 Sicurelli  
 D702,765 S \* 4/2014 Williams ..... D20/22  
 D704,059 S \* 5/2014 Glass ..... D9/457  
 D707,553 S 6/2014 Vantrease  
 D709,953 S \* 7/2014 Williams ..... D20/22  
 D712,154 S \* 9/2014 Schiller ..... G09F 3/08  
 D3/328  
 D721,945 S \* 2/2015 Underkofler ..... D8/382  
 D723,359 S \* 3/2015 O'Connor ..... D8/382  
 D732,670 S \* 6/2015 Dwyer ..... D24/162  
 D756,073 S \* 5/2016 Mahoney ..... D2/877  
 9,403,610 B2 \* 8/2016 O'Donnell ..... B65B 27/10  
 D770,278 S 11/2016 Woodring  
 9,481,492 B2 11/2016 Vantrease  
 D792,024 S \* 7/2017 Maman ..... D28/20  
 D796,320 S 9/2017 Woodring  
 9,815,595 B2 \* 11/2017 O'Donnell ..... B32B 37/1284  
 D823,696 S \* 7/2018 O'Neill ..... D9/711  
 D828,745 S \* 9/2018 Vowels ..... D8/382  
 D865,863 S \* 11/2019 Sato ..... D19/1  
 D865,864 S \* 11/2019 Sato ..... D19/1  
 D871,212 S 12/2019 Hamel  
 10,519,697 B1 \* 12/2019 Zamansky ..... G09F 3/0376  
 D880,296 S \* 4/2020 Hamel ..... D9/443  
 D880,988 S \* 4/2020 Takahashi ..... D8/356  
 10,647,475 B2 \* 5/2020 Milbrandt ..... B65D 71/063  
 10,723,532 B2 \* 7/2020 Milbrandt ..... B65D 75/585  
 D905,552 S \* 12/2020 Milbrandt ..... D9/443  
 D906,793 S \* 1/2021 Tunney ..... D8/382  
 D910,755 S \* 2/2021 Milbrandt ..... D20/22  
 10,984,682 B2 \* 4/2021 Schiller ..... B32B 7/12  
 D924,976 S \* 7/2021 Milbrandt ..... D20/22  
 D928,232 S \* 8/2021 Wass ..... D20/22  
 D931,613 S \* 9/2021 Schiller ..... D3/318  
 D940,131 S \* 1/2022 Jo ..... D14/371  
 2010/0122436 A1 5/2010 Takahashi et al.  
 2011/0086194 A1 \* 4/2011 Williams ..... G09F 3/10  
 428/43  
 2014/0217718 A1 \* 8/2014 O'Donnell ..... B65B 61/025  
 493/324  
 2015/0213739 A1 \* 7/2015 de Jong ..... G09F 3/206  
 40/645

OTHER PUBLICATIONS

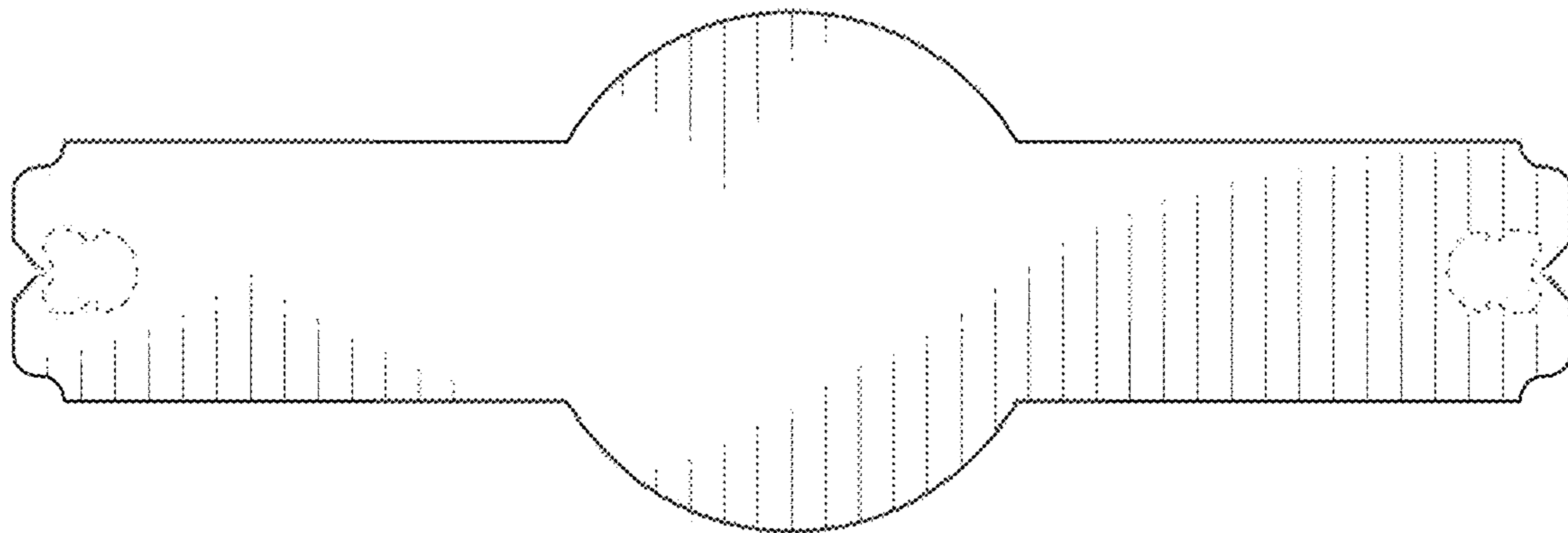
U.S. Trademark Registration No. 1,975,545 registered May 28, 1996.  
 Kwik Lok Bag Closure Catalog #101, dated Sep. 29, 2016 (108 pages).  
 Kwik Lok Automatic Bag Closing Machine 872XLS brochure, publicly available at least as of Oct. 17, 2017 (4 pages).  
 Bedford Industries—dieline configurations for ELASTITAG® products, publicly available at least as of Oct. 17, 2017 from Internet websites <http://www.elastitag.com/marquee> and <http://www.elastitag.com/search> (9 pages).

\* cited by examiner

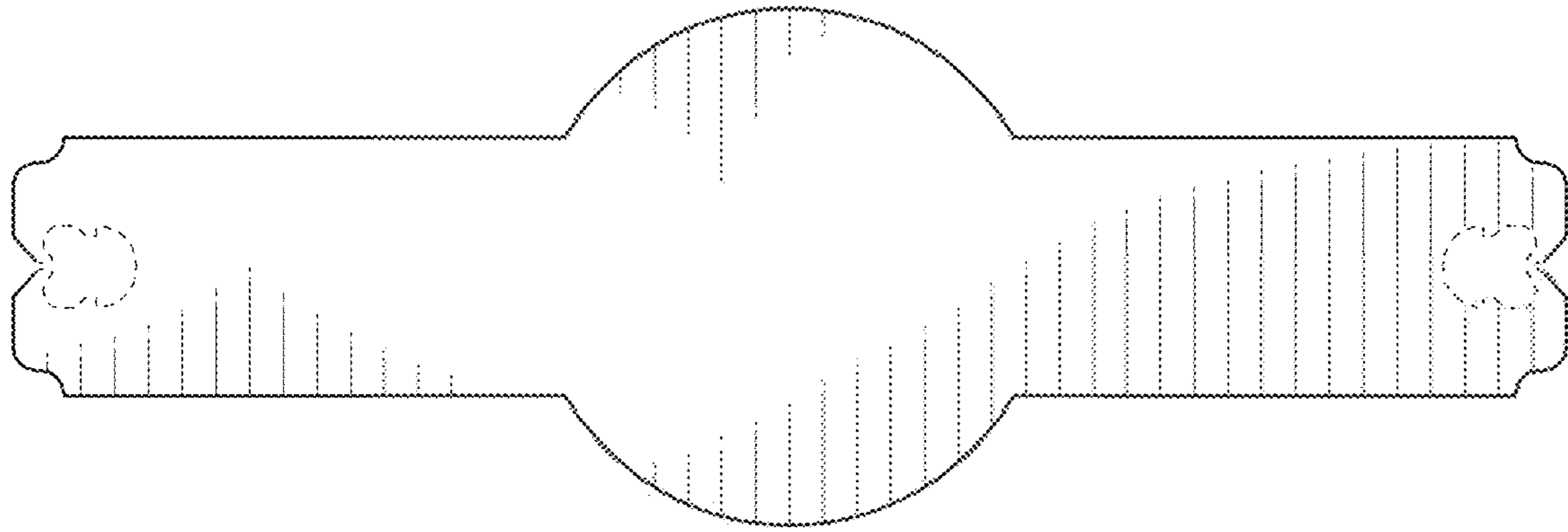




*FIG. 1*



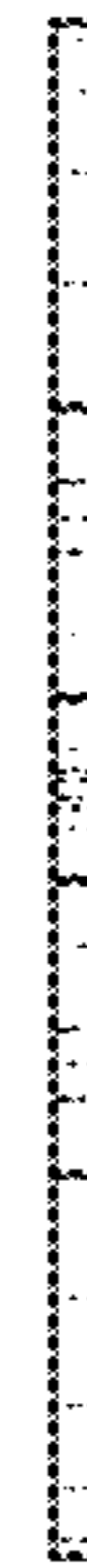
*FIG. 2*



*FIG. 3*



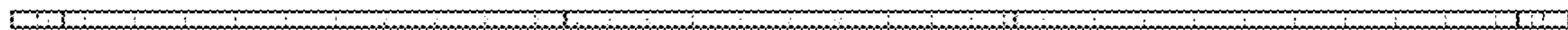
*FIG. 4*



*FIG. 5*



*FIG. 6*



*FIG. 7*