



US00D957936S

(12) **United States Design Patent** (10) **Patent No.:** **US D957,936 S**
Lincoln (45) **Date of Patent:** **** Jul. 19, 2022**

- (54) **BOX**
- (71) Applicant: **MDT Micro Diamond Technologies, LTD, Afula (IL)**
- (72) Inventor: **Barbara A. Lincoln, Marietta, GA (US)**
- (73) Assignee: **MDT Micro Diamond Technologies, LTD, Afula (IL)**

D474,688 S *	5/2003	Litts	D9/432
D596,025 S *	7/2009	Mordechai	D9/432
D620,352 S *	7/2010	Liipola	D9/432
D651,076 S *	12/2011	Van Berlo	D9/433
D859,976 S *	9/2019	Gales	D9/420
D866,318 S *	11/2019	Gallimore	D7/637
D897,836 S *	10/2020	Kenworthy	D9/423
D909,862 S *	2/2021	Gray	D9/423
D910,431 S *	2/2021	Gray	D9/423
D918,030 S *	5/2021	Wan	D9/420
2018/0178971 A1 *	6/2018	Moon	B65D 85/07
2018/0220761 A1 *	8/2018	Jameson	A45C 13/1092

- (**) Term: **15 Years**
- (21) Appl. No.: **29/767,099**
- (22) Filed: **Jan. 20, 2021**
- (51) **LOC (13) Cl.** **09-03**
- (52) **U.S. Cl.**
USPC **D9/432**
- (58) **Field of Classification Search**
USPC D9/414-420, 421-431, 432-434, 442, D9/445, 456, 542, 563, 600, 614-624, D9/707, 708, 711, 737, 754, 759; D3/273, 276, 277, 280, 282, 283, 304, D3/309-313; D7/601, 602, 624.2, 709
CPC B65D 5/00; B65D 5/001; B65D 5/0027; B65D 5/0254; B65D 5/18; B65D 5/38; B65D 5/40; B65D 5/2033; B65D 5/48024; B65D 5/6605; B65D 1/22; B65D 1/24; B65D 1/34; B65B 5/06
See application file for complete search history.

- (56) **References Cited**
U.S. PATENT DOCUMENTS
407,494 A * 7/1889 Schwartz B65D 5/0254 229/160
2,089,067 A * 8/1937 Myers B65D 5/48008 229/120.08
D290,444 S * 6/1987 Osborne D9/423
5,062,527 A * 11/1991 Westerman B65D 5/68 229/117.06

OTHER PUBLICATIONS

Spacious Boxes Perfect To Use As Take Out Carrier. Oblished date unknown. Retrieved on Feb. 8, 2022 from URL: <https://www.emenacpackaging.com/product-description/4-compartment-shipping-boxes/>.*

* cited by examiner

Primary Examiner — Omeed Agilee
(74) *Attorney, Agent, or Firm* — Baker Donelson Bearman Caldwell & Berkowitz PC

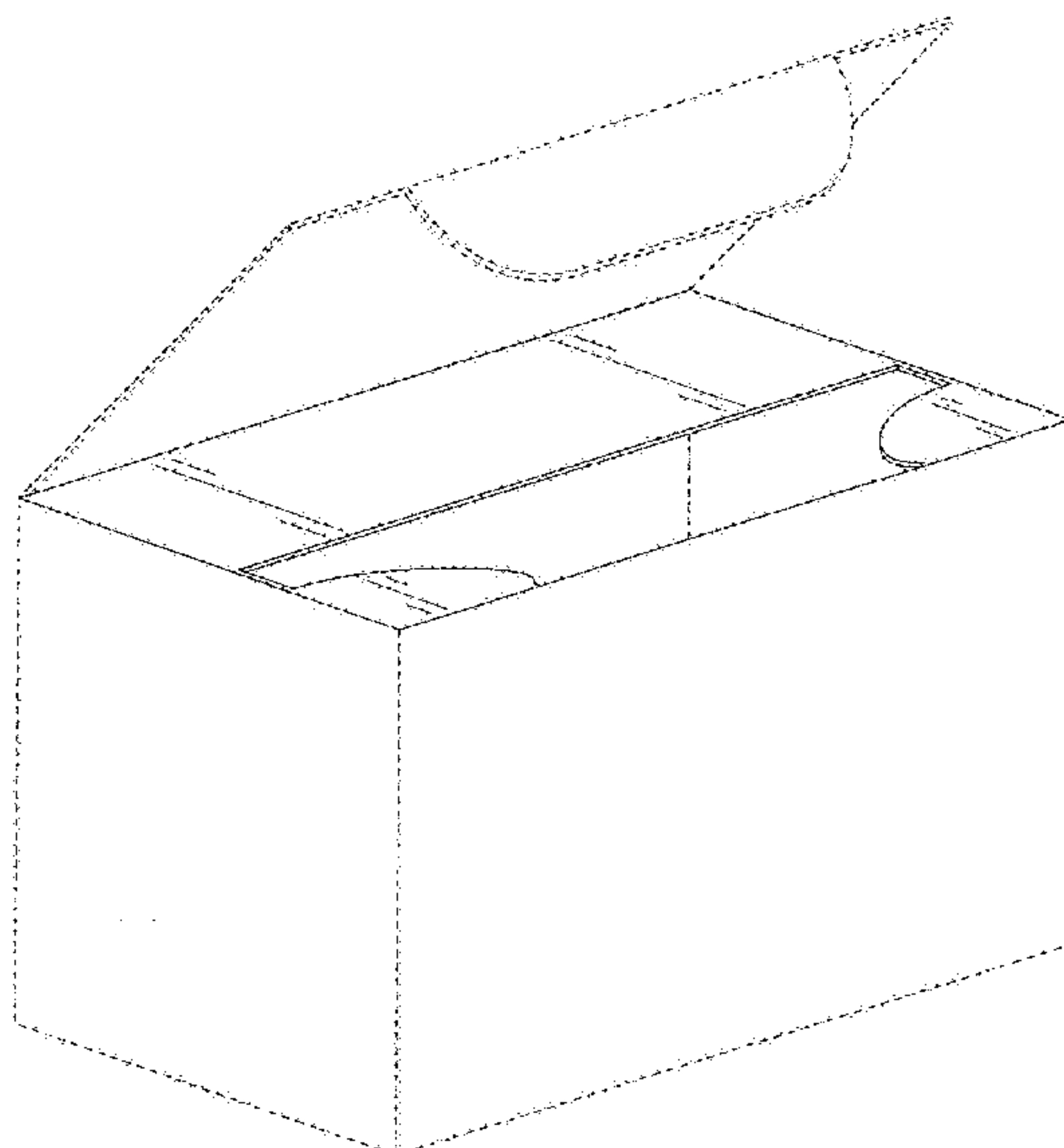
(57) **CLAIM**

The ornamental design for a box, as shown and described.

DESCRIPTION

FIG. 1 is a perspective view of a box showing my new design.
FIG. 2 is a top view thereof.
FIG. 3 is a bottom side view thereof.
FIG. 4 is a front view thereof, the rear view being the same; and,
FIG. 5 is a right side thereof, the left side view being the same.
The broken lines, the areas within them, and the areas bounded by broken lines and solid lines depict portions of the box that form no part of the claimed design.

1 Claim, 3 Drawing Sheets



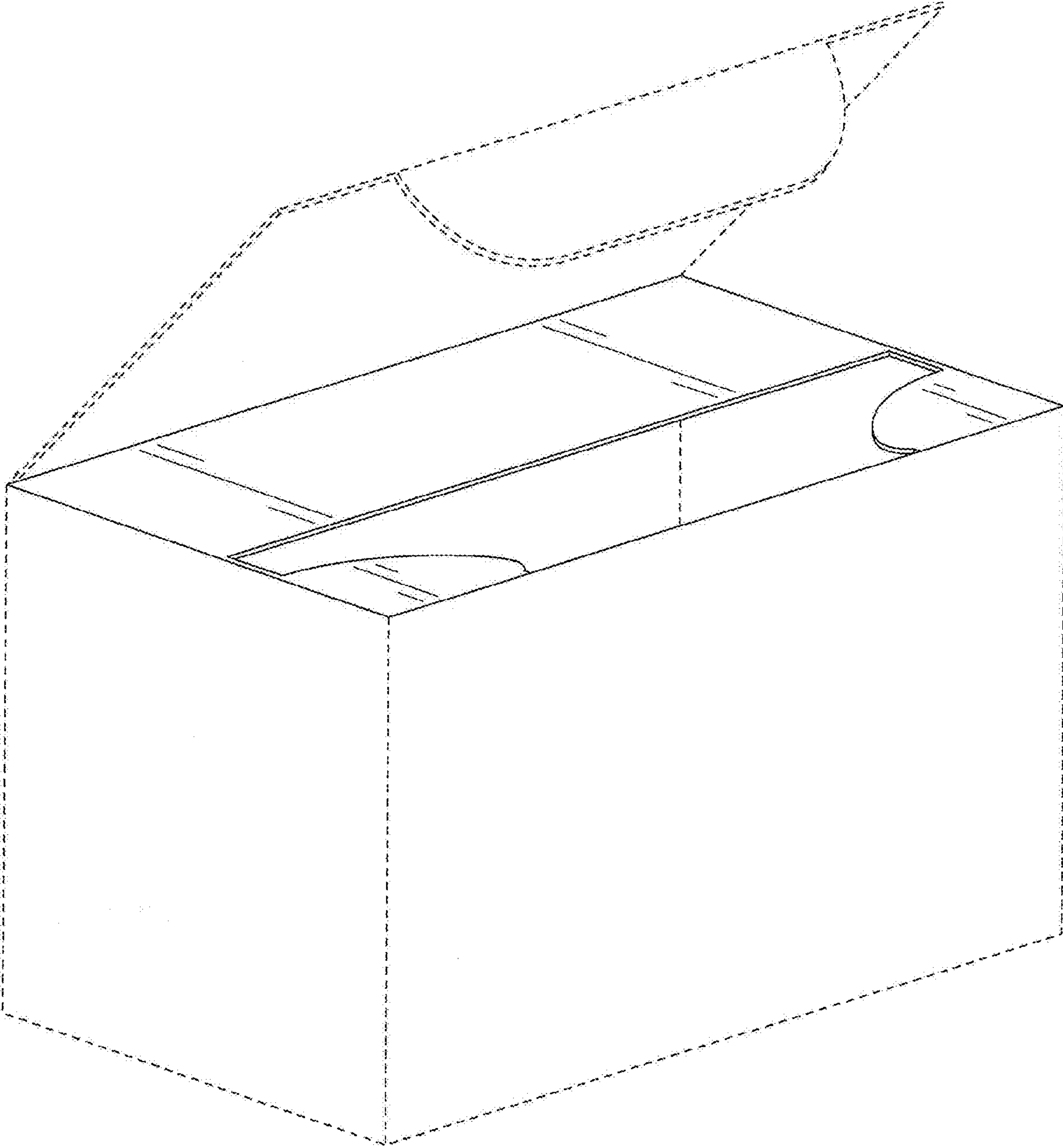


FIG. 1

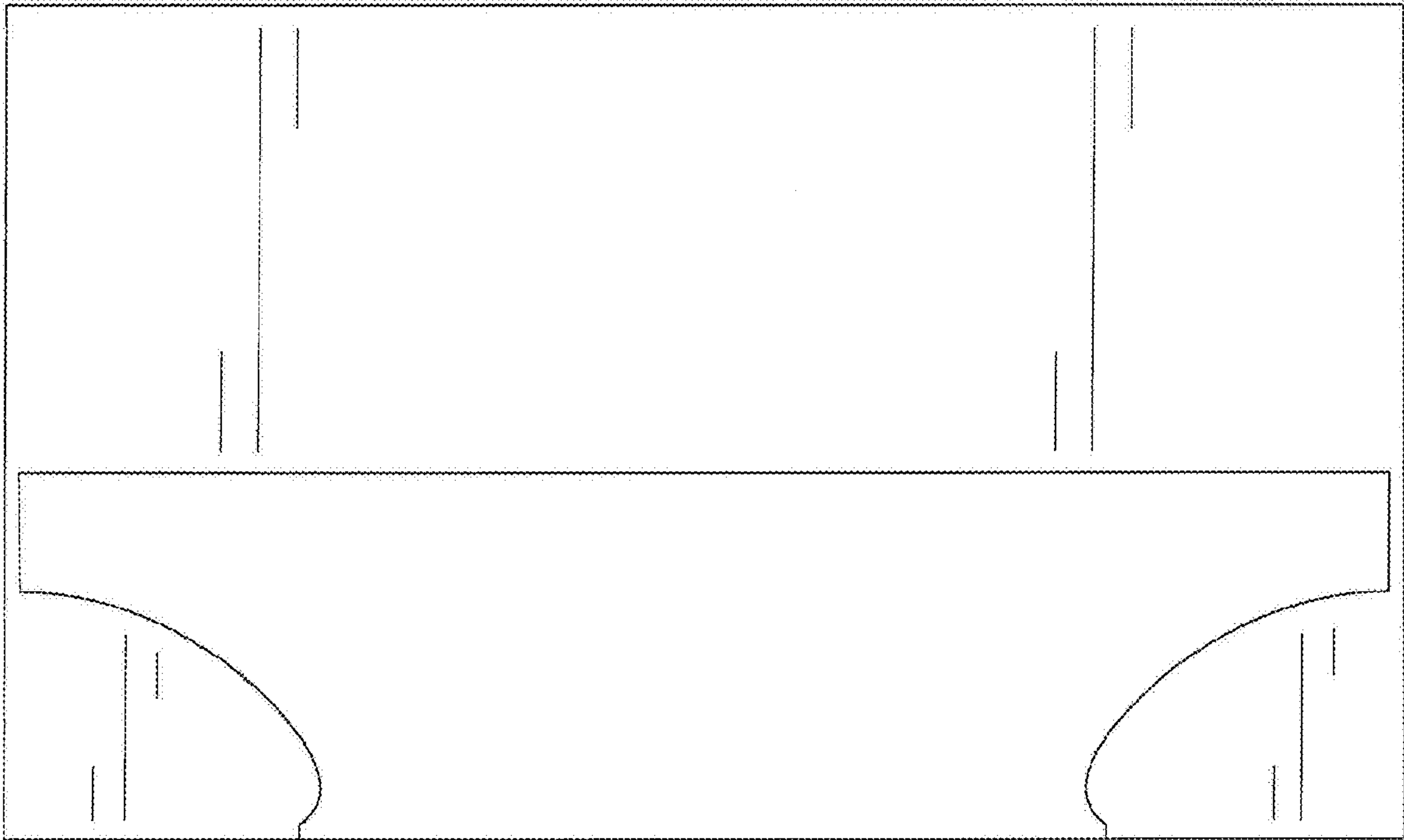


FIG. 2



FIG. 3



FIG. 4



FIG. 5