



US00D957934S

(12) **United States Design Patent** (10) **Patent No.:** **US D957,934 S**
Smith et al. (45) **Date of Patent:** **** *Jul. 19, 2022**

(54) **CONTAINER**

(71) Applicant: **All Plastic, Inc.**, Gold River, CA (US)

(72) Inventors: **William Thomas Smith**, Fair Oaks, CA (US); **Cheryl Ann Smith**, Fair Oaks, CA (US)

(73) Assignee: **ALL PLASTIC, INC.**, Rancho Cordova, CA (US)

(*) Notice: This patent is subject to a terminal disclaimer.

(**) Term: **15 Years**

(21) Appl. No.: **29/782,447**

(22) Filed: **May 6, 2021**

Related U.S. Application Data

(60) Division of application No. 29/763,822, filed on Dec. 24, 2020, now Pat. No. Des. 922,198, which is a division of application No. 29/733,779, filed on May 6, 2020, now Pat. No. Des. 908,484, which is a division of application No. 29/665,425, filed on Oct. 3, 2018, now Pat. No. Des. 887,843, which is a continuation-in-part of application No. 29/663,940, filed on Sep. 20, 2018, now Pat. No. Des. 902,028, which is a continuation-in-part of application No. 29/663,942, filed on Sep. 20, 2018, now Pat. No. Des. 904,185, which is a continuation-in-part of application No. 29/659,740, filed on Aug. 10, 2018, now Pat. No. Des. 902,718.

(51) **LOC (13) Cl.** **09-03**

(52) **U.S. Cl.**
USPC **D9/431; D9/418; D9/422**

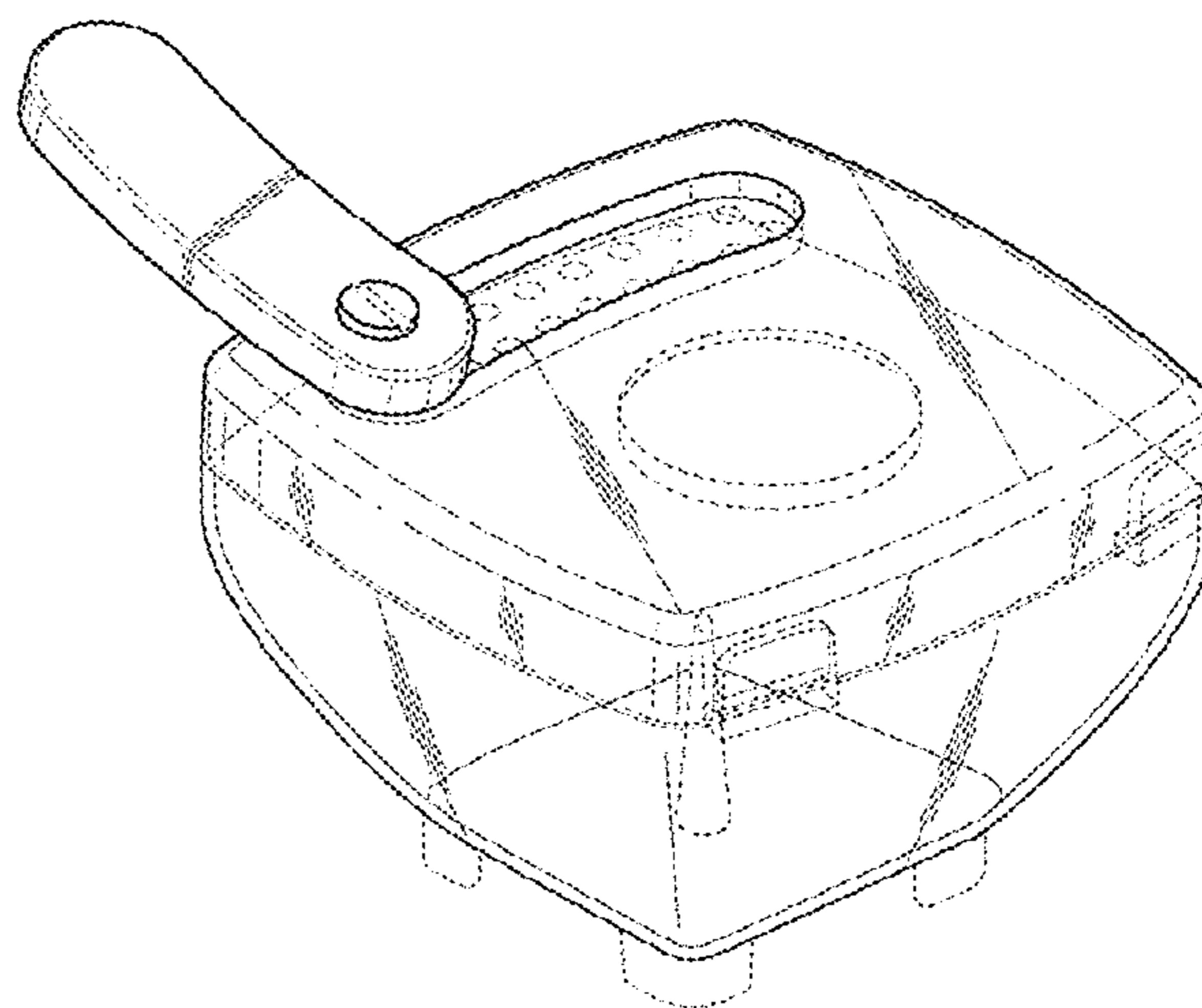
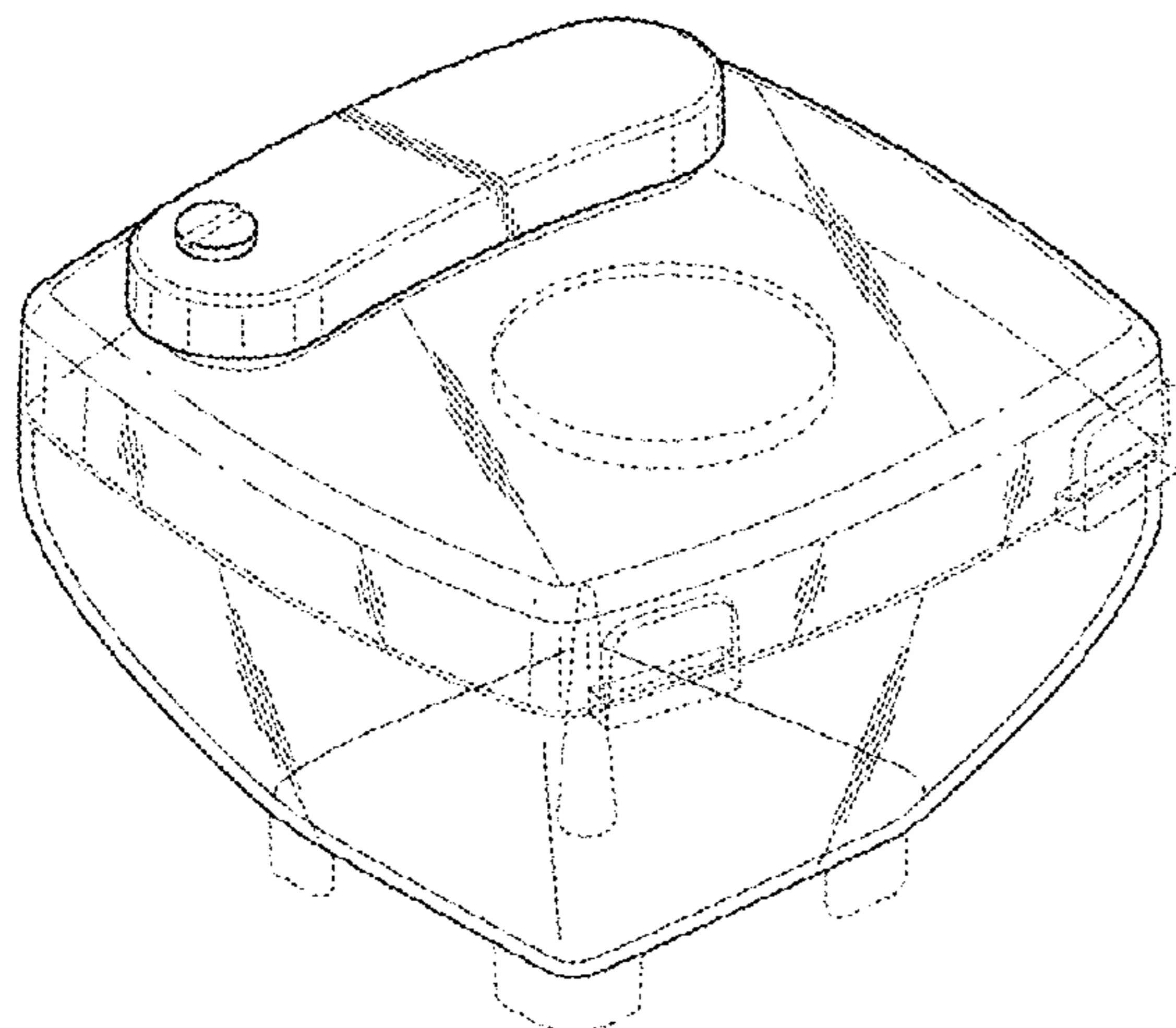
(58) **Field of Classification Search**
USPC D9/414, 418, 422, 423, 424, 428, 454, D9/503, 504, 549, 721; D6/677
CPC B65D 25/54; B65D 25/106; B65D 25/22; B65D 51/24; B65D 51/245; A47F 3/145; A47F 7/286

See application file for complete search history.

(56) **References Cited**

U.S. PATENT DOCUMENTS

D128,936 S	8/1941	Foley	
D181,321 S	10/1957	Stowell	
2,807,901 A	10/1957	Gilowitz	
3,018,024 A *	1/1962	Foord	B65D 47/0842 222/498
3,247,995 A	4/1966	Jensen	
D215,413 S	9/1969	Donovan	
3,656,840 A	4/1972	Smith et al.	
D234,343 S	2/1975	Schick	
4,106,660 A	8/1978	Boyle	
D255,546 S	6/1980	Zaidmann	
4,230,231 A	10/1980	Burnett et al.	
4,284,200 A	8/1981	Bush et al.	
D272,595 S	2/1984	Chase et al.	
D283,099 S	3/1986	Shabram, Sr.	
D292,887 S	11/1987	Schouten	
D303,428 S	9/1989	Wada	
4,979,332 A	12/1990	Nagaya et al.	
D322,323 S	12/1991	Moir	
D340,187 S	10/1993	Forsyth	
5,321,908 A	6/1994	Ushimaru	
D351,906 S	10/1994	Marsh	
5,363,801 A	11/1994	Walters et al.	
5,927,007 A	7/1999	Oda et al.	
6,013,524 A	1/2000	Friars et al.	
D455,552 S	4/2002	Charness	
6,571,972 B1	6/2003	Bouc et al.	
D476,572 S	7/2003	Merritt	
D480,307 S	10/2003	Canamasas Puigbo	
6,761,287 B2	7/2004	Caruso	
D493,721 S	8/2004	Puigbo	
D493,722 S	8/2004	Cooper	
D513,979 S	1/2006	Snedden et al.	
D517,405 S	3/2006	Snedden et al.	
D518,728 S	4/2006	Frantz	
D523,752 S	6/2006	Bried	
7,185,827 B2	3/2007	Quintard et al.	
D547,177 S	7/2007	Sherman et al.	
D588,450 S	3/2009	Snedden et al.	
D590,706 S	4/2009	Doliwa et al.	
D591,148 S	4/2009	Parikh et al.	
D592,050 S *	5/2009	Casebasse	D9/431
D600,111 S	9/2009	Gerulski et al.	
D621,603 S	8/2010	Traylor	
D630,949 S	1/2011	Lim	
D646,969 S	10/2011	Snedden et al.	
D647,530 S	10/2011	Busch	
8,079,478 B2	12/2011	Short et al.	
D655,604 S	3/2012	Molina	



D671,831 S	12/2012	Moreau	Website photo. Epod. www.budbardisplays.com . Published Jul. 1, 2013.
D685,227 S	7/2013	Boonprasop	
8,544,208 B2	10/2013	Huang	Facebook post showing sample containers, Oct. 22, 2016. https://www.facebook.com/BudBarDisplays/photos/a.1250515684990657/1251439121564980/?type=3&theater (1 page).
D696,948 S	1/2014	Kim	Bud Pod and Bud pod security tether close up. Publication on Facebook Oct. 21, 2016. https://www.facebook.com/BudBarDisplays/photos/a.1250515684990657/1250523611656531/?type=3&theater .
D702,547 S	4/2014	Akana	Budtender Demo-Bud Bar Displays. Publication on youtube dated May 7, 2017— https://www.youtube.com/watch?v=JRdGB1ZXZlk .
D703,055 S	4/2014	Park	Magazine AD for Bud Bar Displays™.3rd Annual Marijuana Business Conference & Expo, Las Vegas, NV, Nov. 1, 2014. 3 pages.
8,925,725 B1	1/2015	Burnett	Magazine AD for Bud Bar Displays™.CANNA CON, Denver, Colorado, Jun. 1, 2015. 3 pages.
D730,726 S *	6/2015	Astorga	Magazine AD for Bud Bar Displays™. Marijuana Business Magazine, vol. 2, Issue 4, Jul. 1, 2015. 2 pages.
D731,891 S	6/2015	Servaire	Magazine AD for Bud Bar Displays™. Marijuana Venture Magazine, Jun. 1, 2017. 3 pages.
D749,381 S	2/2016	Magri	Magazine AD for Bud Bar Displays™. Marijuana Venture Magazine, vol. 1, Issue 7, Sep. 1, 2014.3 pages.
D765,389 S	9/2016	Martin	Magazine AD for Bud Bar Displays™. <i>MG-Magazine.com</i> , Feb. 1, 2016.2 pages.
D769,079 S	10/2016	Kotani	Magazine AD for Bud Bar Displays™. The News Tribune, Aug. 15, 2014. 2 pages.
D775,959 S	1/2017	Owen	Magazine AD showing Bud Bar Displays™.Dope Magazine, Issue#?, Dec. 1, 2015. 2 pages.
D778,718 S	2/2017	Smith et al.	Pictures of Bud Bar Displays™ booth at the KushCon Convention, which features the Epods. Denver, Colorado, Dec. 1, 2010. 3 pages.
9,630,747 B2	4/2017	Smith et al.	Website photo. 3 Tier Lighted Display. www.budbardisplays.com . Published Jul. 9, 2017.
D794,944 S	8/2017	Martin	Website photo. Aroma epod. www.budbardisplays.com . Published Jan. 23, 2016.
D795,057 S *	8/2017	Segal	Website photo. www.budbardisplays.com . Published Jan. 23, 2016.
D806,543 S	1/2018	Finkbohner	Website photo. www.budbardisplays.com . Published Jan. 23, 2016.
D812,939 S	3/2018	Modlin	Website photo. Bud bar cabinet. www.budbardisplays.com . Published Jul. 9, 2017.
D814,831 S	4/2018	Modlin	Website photo. Bud Pod. www.budbardisplays.com . Published Jul. 9, 2017.
9,981,790 B1	5/2018	Ost	Website photo. www.budbardisplays.com . Published Jan. 23, 2016.
D821,738 S	7/2018	Small	Website photo. www.budbardisplays.com . Published Jan. 23, 2016.
D830,779 S	10/2018	Li et al.	Website photo. Eco Pod Cabinet. www.budbardisplays.com . Published Jul. 9, 2017.
D842,494 S	3/2019	Lee	Website photo. www.budbardisplays.com . Published Jan. 23, 2016.
D849,526 S	5/2019	Sanders et al.	Website photo. Highlight display. www.budbandisplays.com . Published Jan. 23, 2016.
D855,449 S	8/2019	Smith	Website photo. Sample pod package. www.budbardisplays.com . Published Jul. 9, 2017.
10,384,834 B2	8/2019	Smith et al.	Website photo. Security seals for pods. www.budbardisplays.com . Published Jul. 9, 2017.
D859,894 S	9/2019	Smith	Website photo. Tether on Bud Pod3. www.budbardisplays.com . Published Jul. 9, 2017.
D861,475 S	10/2019	Giwani	Author Unknown; Bud Pod Seals Airtight for Freshness; Published Sep. 14, 2018. Retrieved Nov. 5, 2019 from www.udbardisplays.com/product/pods/bud-pod .
D862,226 S	10/2019	Horn	
D863,053 S	10/2019	Smith	
D866,334 S	11/2019	Wieland	
D870,507 S	12/2019	Whaley	
D874,924 S *	2/2020	Di Martino	
D876,945 S	3/2020	Smith	
D899,920 S	10/2020	Smith	
D902,028 S	11/2020	Smith	
D904,185 S	12/2020	Smith	
D908,484 S	1/2021	Smith	
D912,530 S *	3/2021	Riedel	
D914,412 S *	3/2021	Angeles	
D918,042 S *	5/2021	Smith	
D918,050 S *	5/2021	Smith	
D920,782 S *	6/2021	Smith	
D922,198 S *	6/2021	Smith	
D922,870 S *	6/2021	Smith	
D923,475 S *	6/2021	Smith	
D930,471 S *	9/2021	Smith	
2003/0234208 A1	12/2003	Huang	
2005/0092751 A1	5/2005	Alvares	
2007/0051826 A1	3/2007	Schofield	
2007/0187406 A1	8/2007	Nobile	
2009/0057326 A1	3/2009	Opitz	
2009/0261100 A1	10/2009	McMinn	
2010/0300370 A1	12/2010	Hundt	
2013/0313217 A1	11/2013	Yamamoto et al.	
2016/0031605 A1	2/2016	Bean et al.	
2016/0257458 A1	9/2016	Pentelovitch	
2016/0318672 A1	9/2016	Smith	
2017/0190482 A1	7/2017	Smith et al.	
2017/0275075 A1	9/2017	Bamonte	
2018/0016065 A1	1/2018	Ho	
2018/0362215 A1	12/2018	Whetsel	
2019/0009967 A1	1/2019	Lung	
2019/0152648 A1	5/2019	Parve	
2020/0130901 A1	4/2020	Karll	
2020/0307875 A1	10/2020	Abbasi	

FOREIGN PATENT DOCUMENTS

EP 1779885 5/2007

OTHER PUBLICATIONS

Pictures of Bud Bar Displays™ booth at the KushCon Convention, which features the Bud Pod. Denver, Colorado, Dec. 1, 2010. 3 pages (color).

* cited by examiner

Primary Examiner — Lauren R Calve

(74) *Attorney, Agent, or Firm* — Ballard Spahr LLP

(57) **CLAIM**

We claim the ornamental design for a container, as shown and described.

DESCRIPTION

FIG. 1 is a perspective view of a container in accordance with a first variant of said Design, in which the plug is in a closed position;

FIG. 2 is a top plan view of the container shown in FIG. 1;

FIG. 3 is a bottom plan view of the container shown in FIG. 1;

FIG. 4 is a rear view of the container shown in FIG. 1;

FIG. 5 is a right side view of the container shown in FIG. 1;

FIG. 6 is a front view of the container shown in FIG. 1;

FIG. 7 is a left side view of the container shown in FIG. 1;

FIG. 8 is a perspective view of a container shown in FIG. 1, in which the plug is in an open position;

FIG. 9 is a top plan view of the container shown in FIG. 8;

FIG. 10 is a bottom plan view of the container shown in FIG. 8;

FIG. 11 is a rear view of the container shown in FIG. 8;

FIG. 12 is a right side view of the container shown in FIG. 8;

8;

FIG. 13 is a front view of the container shown in FIG. 8;

FIG. 14 is a left side view of the container shown in FIG. 8; FIG. 15 is a perspective view of a container in accordance with a second variant of said Design, in which the plug is in a close position;

FIG. 16 is a top plan view of the container shown in FIG. 15;

FIG. 17 is a bottom plan view of the container shown in FIG. 15;

FIG. 18 is a rear view of the container shown in FIG. 15;

FIG. 19 is a right side view of the container shown in FIG. 15;

FIG. 20 is a front view of the container shown in FIG. 15;

FIG. 21 is a left side view of the container shown in FIG. 15;

FIG. 22 is a perspective view of a container shown in FIG. 15, in which the plug is in an open position;

FIG. 23 is a top plan view of the container shown in FIG. 22;

FIG. 24 is a bottom plan view of the container shown in FIG. 22;

FIG. 25 is a rear view of the container shown in FIG. 22;

FIG. 26 is a right side view of the container shown in FIG. 22;

22;

FIG. 27 is a front view of the container shown in FIG. 22;

and,

FIG. 28 is a left side view of the container shown in FIG. 22.

The broken lines depict portions of the article that form no part of the claimed design.

1 Claim, 24 Drawing Sheets

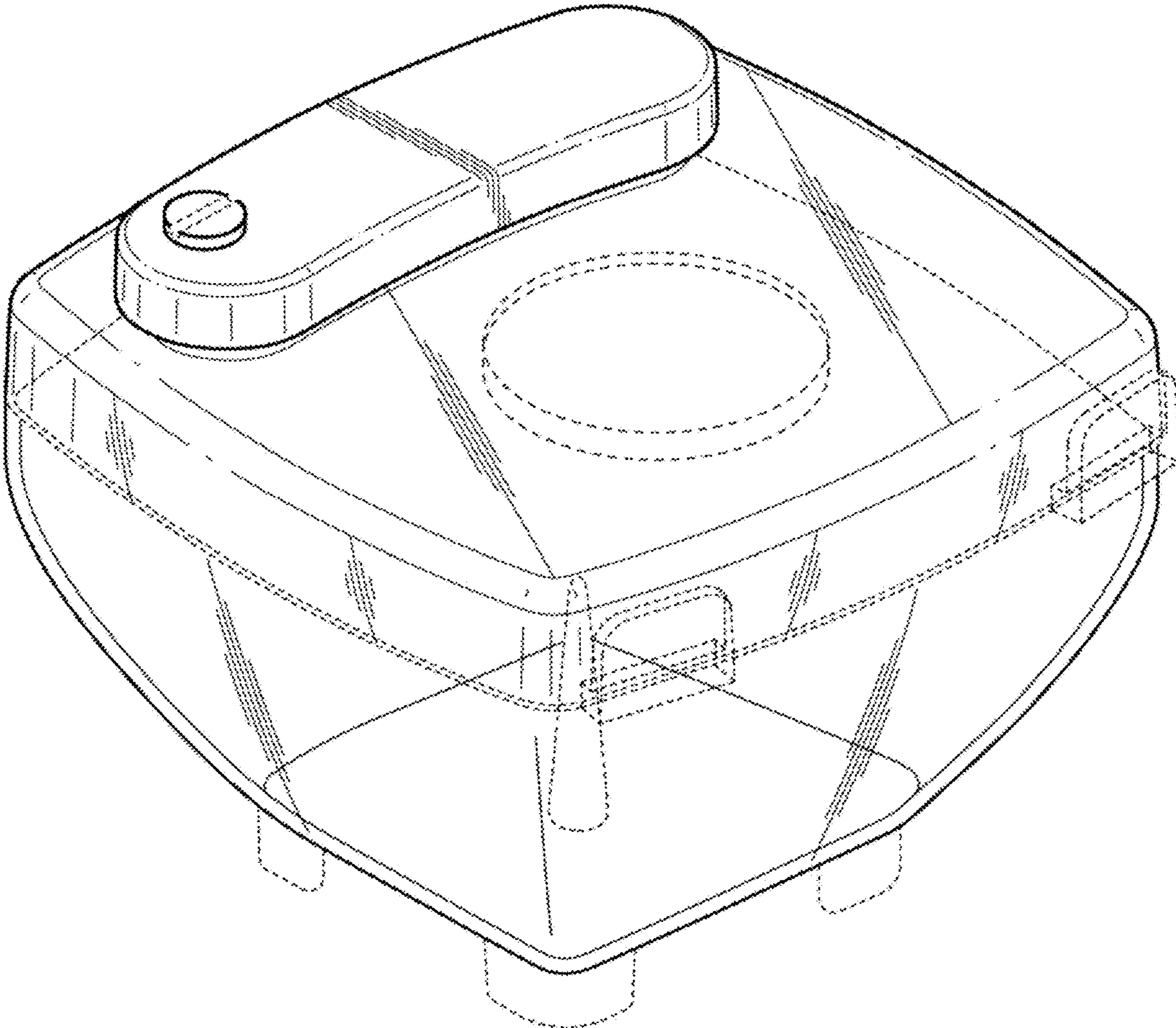


FIG. 1

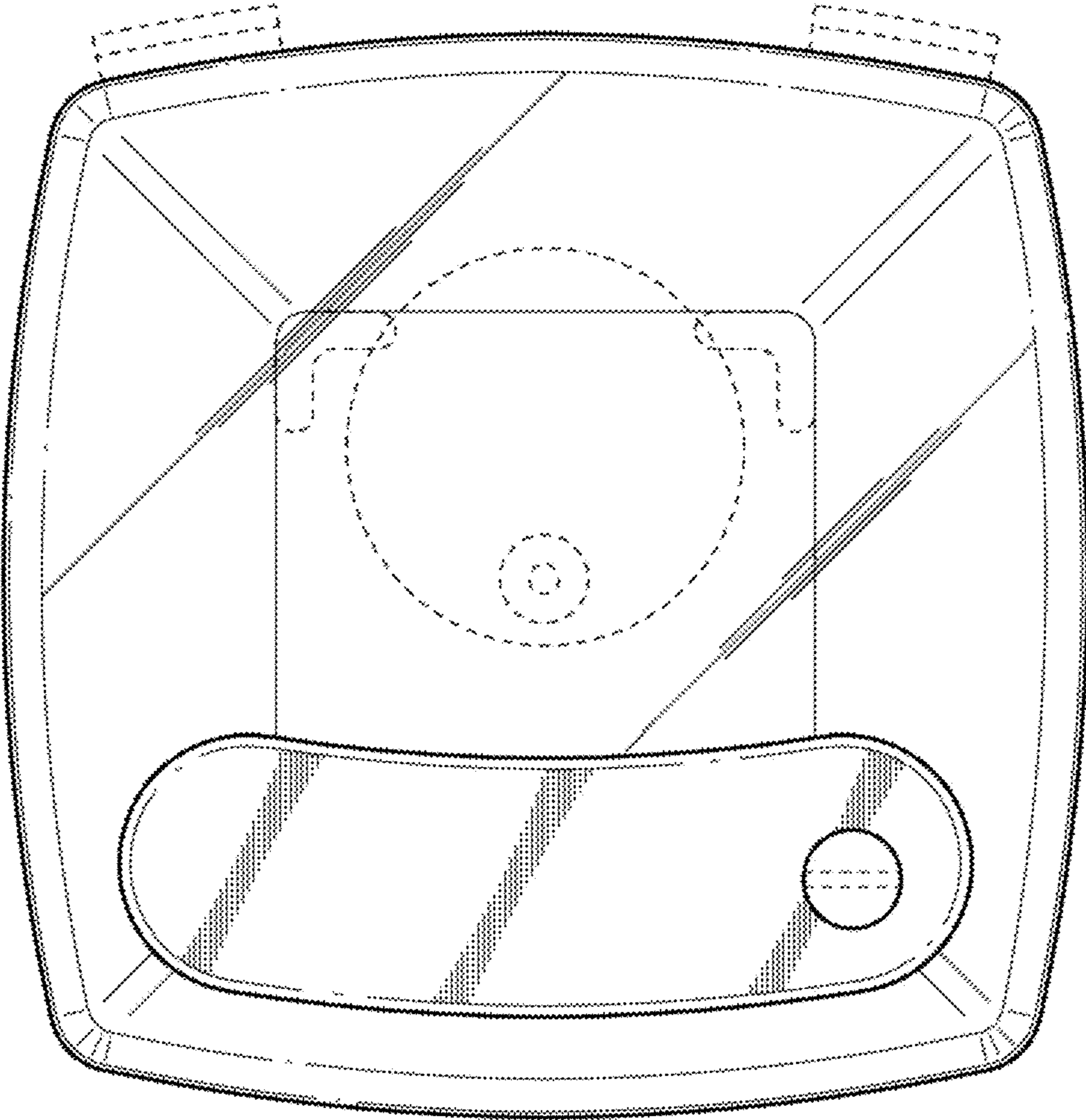


FIG. 2

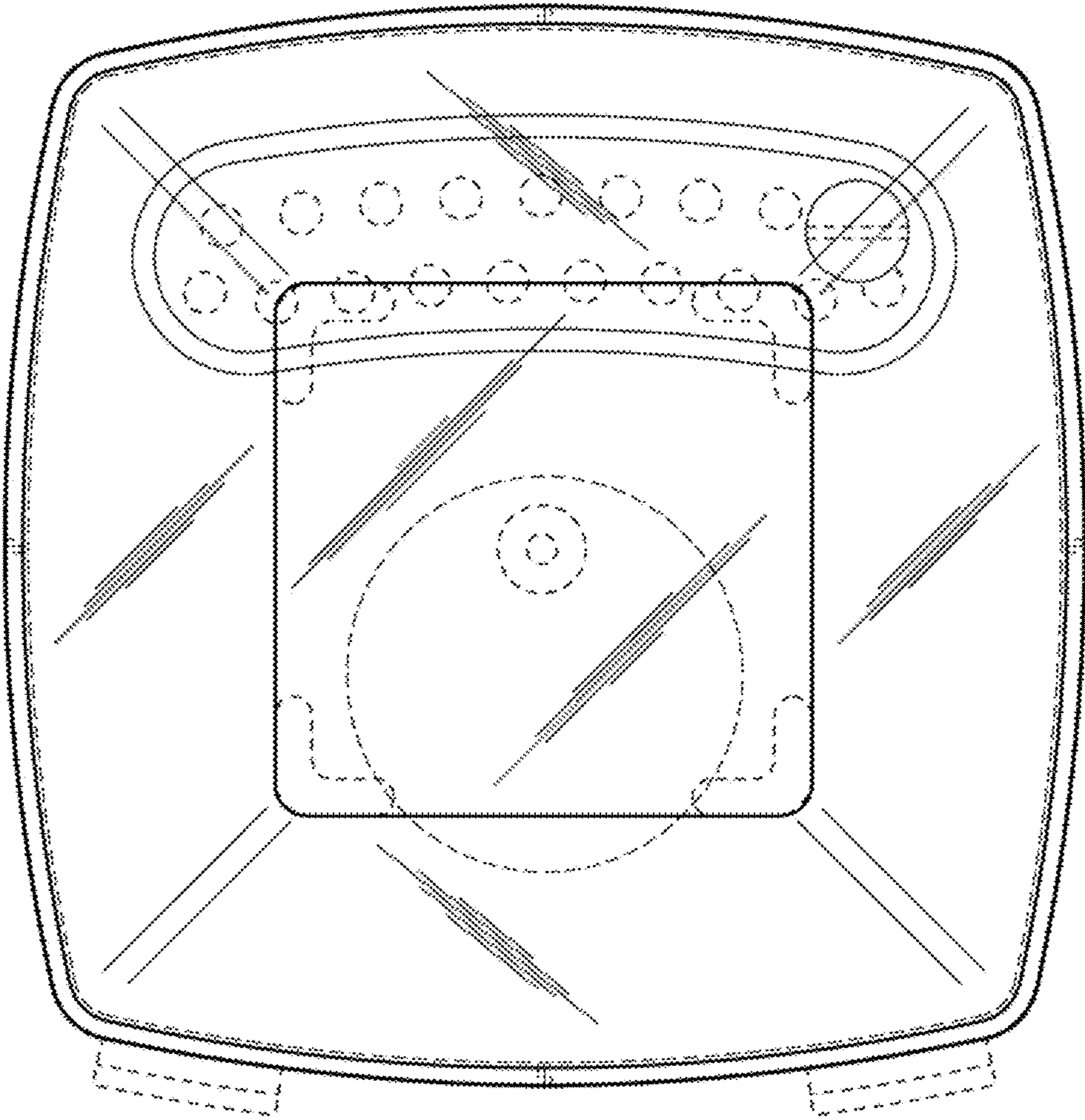


FIG. 3

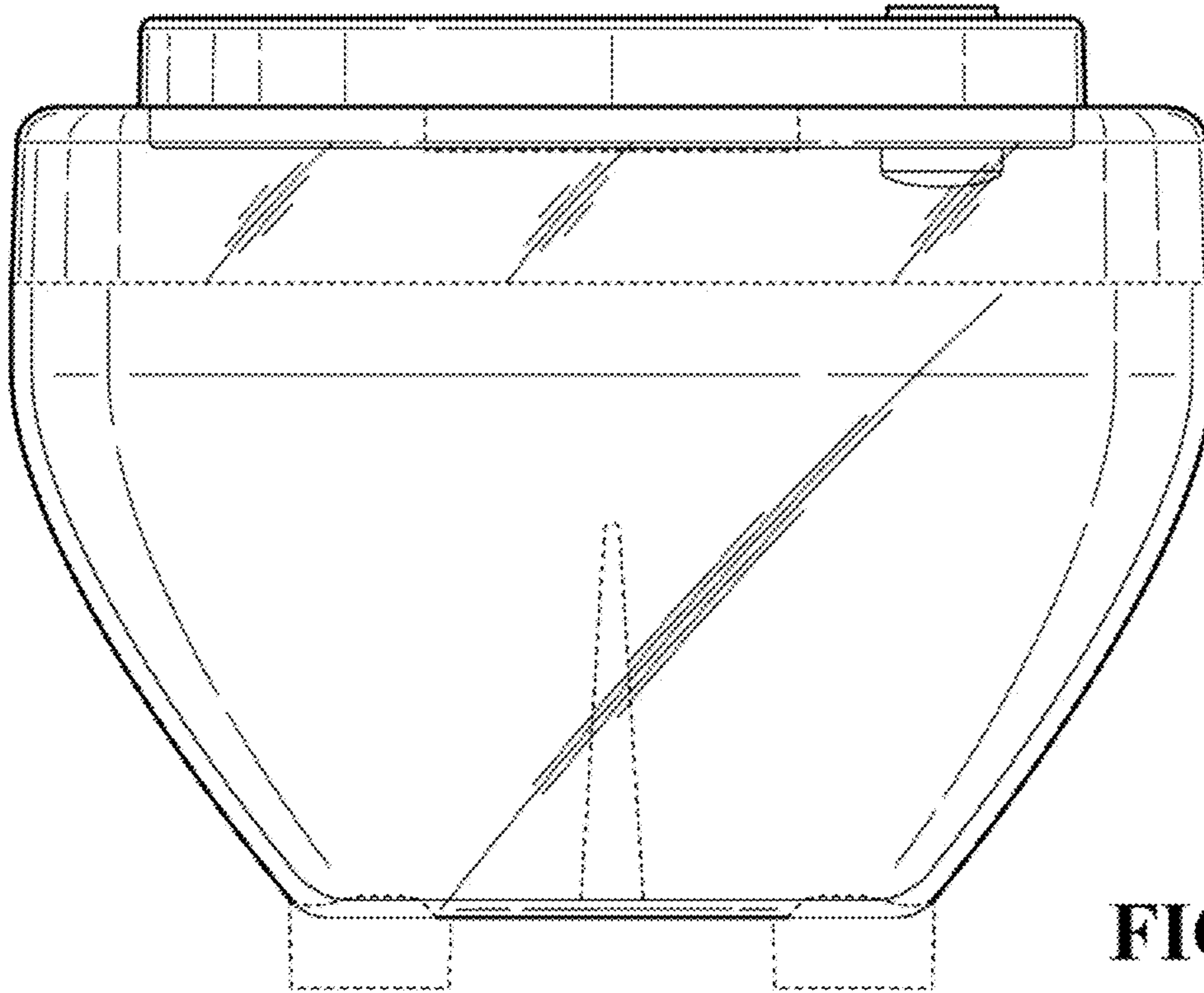


FIG. 4

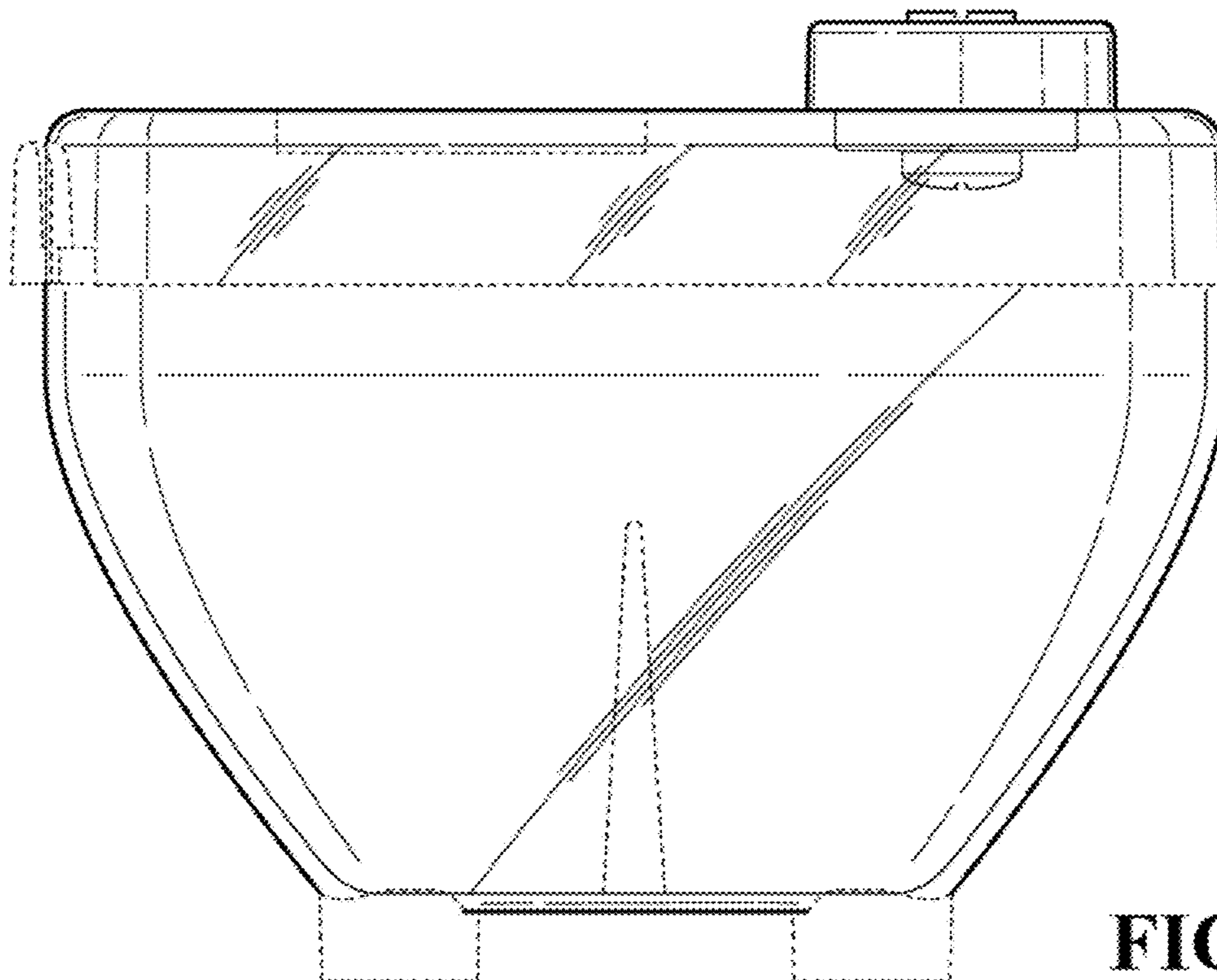


FIG. 5

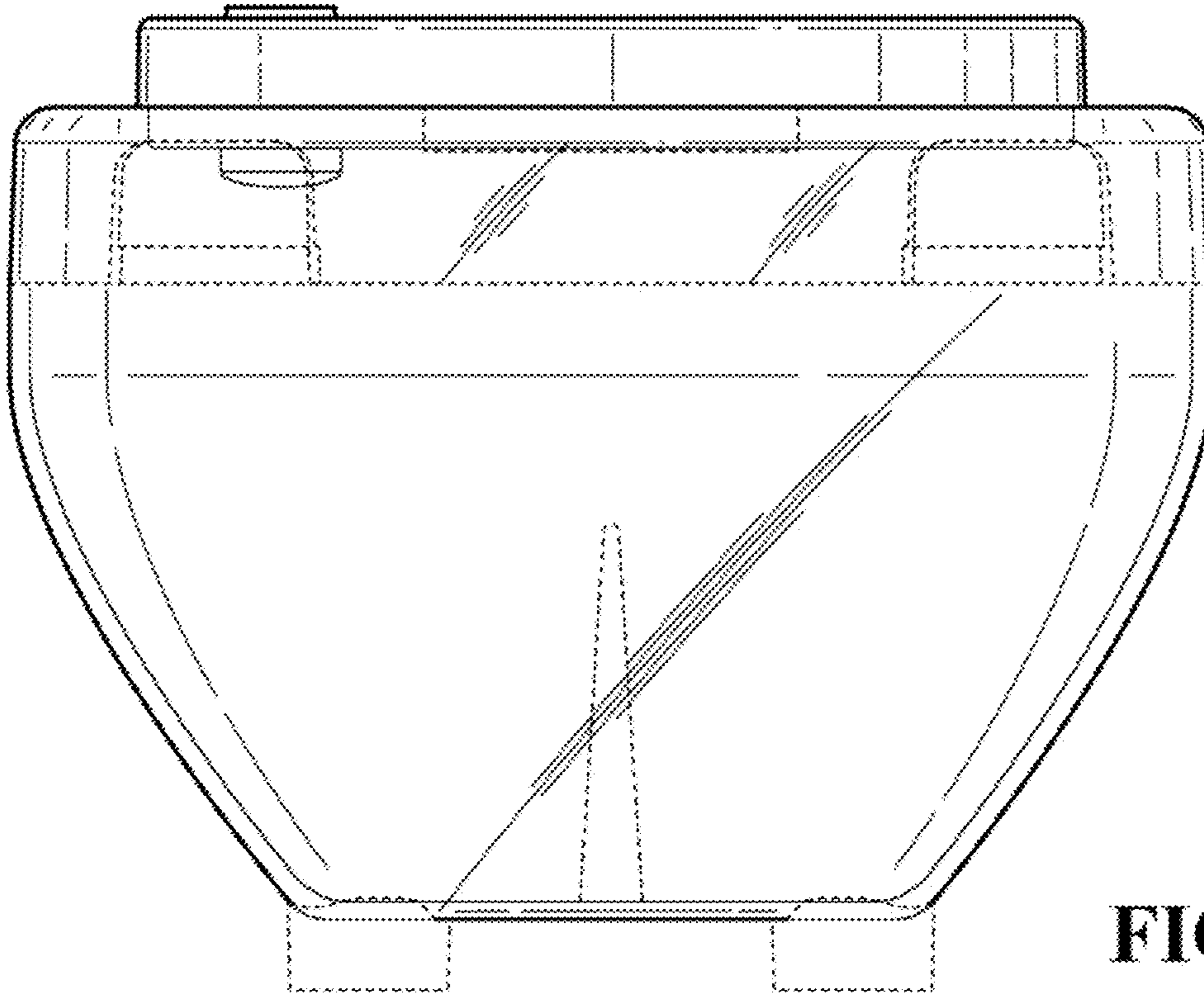


FIG. 6

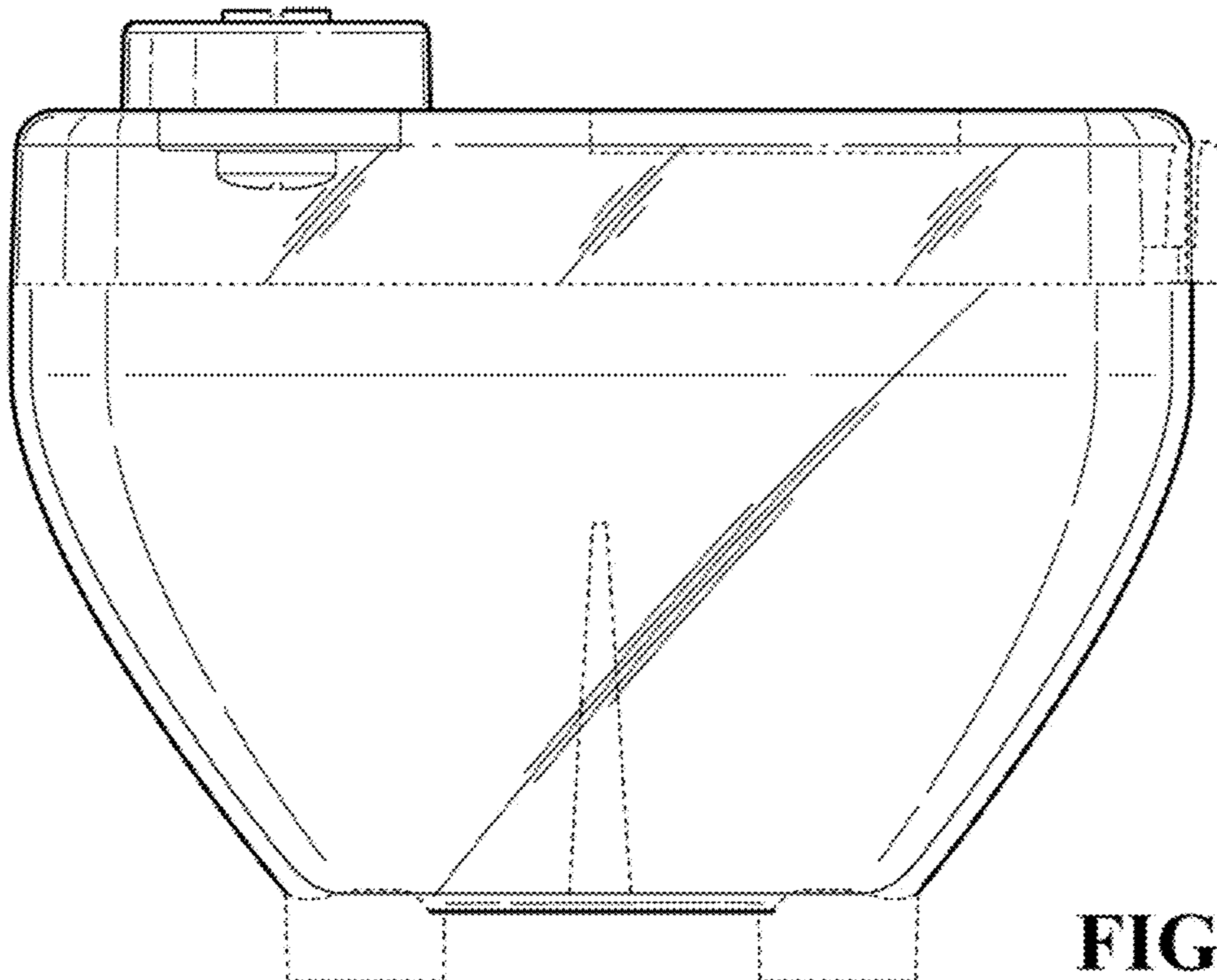


FIG. 7

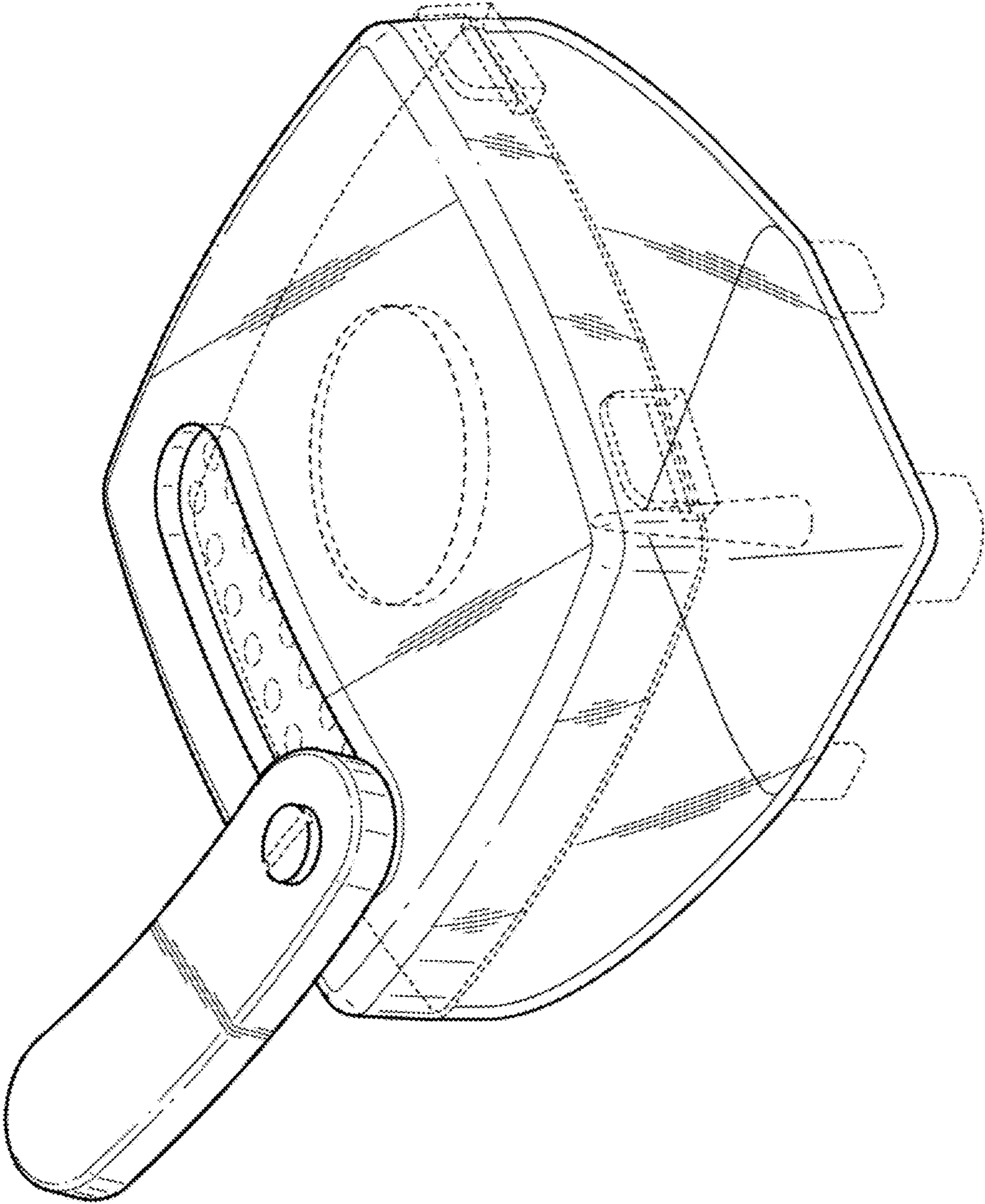


FIG. 8

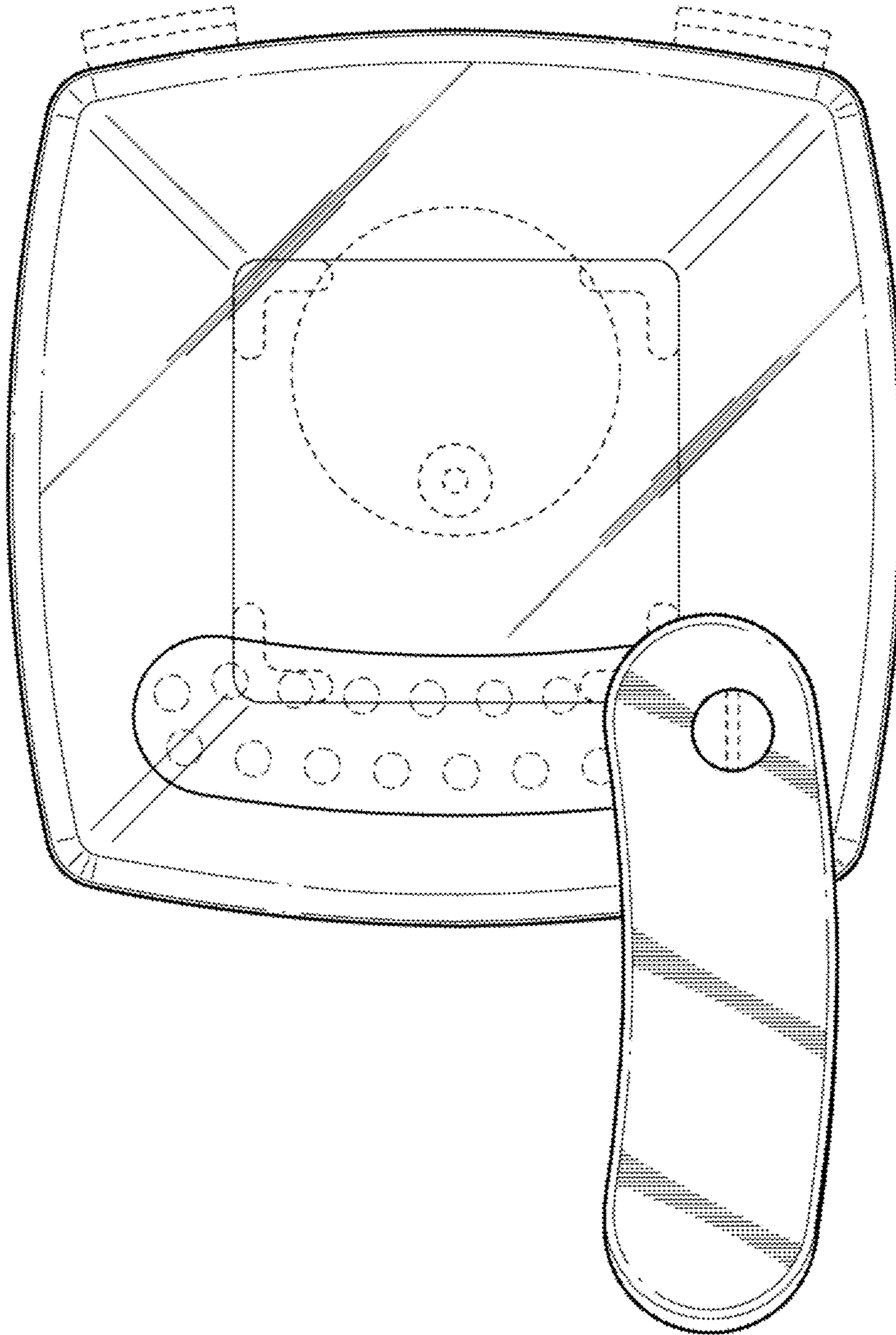


FIG. 9

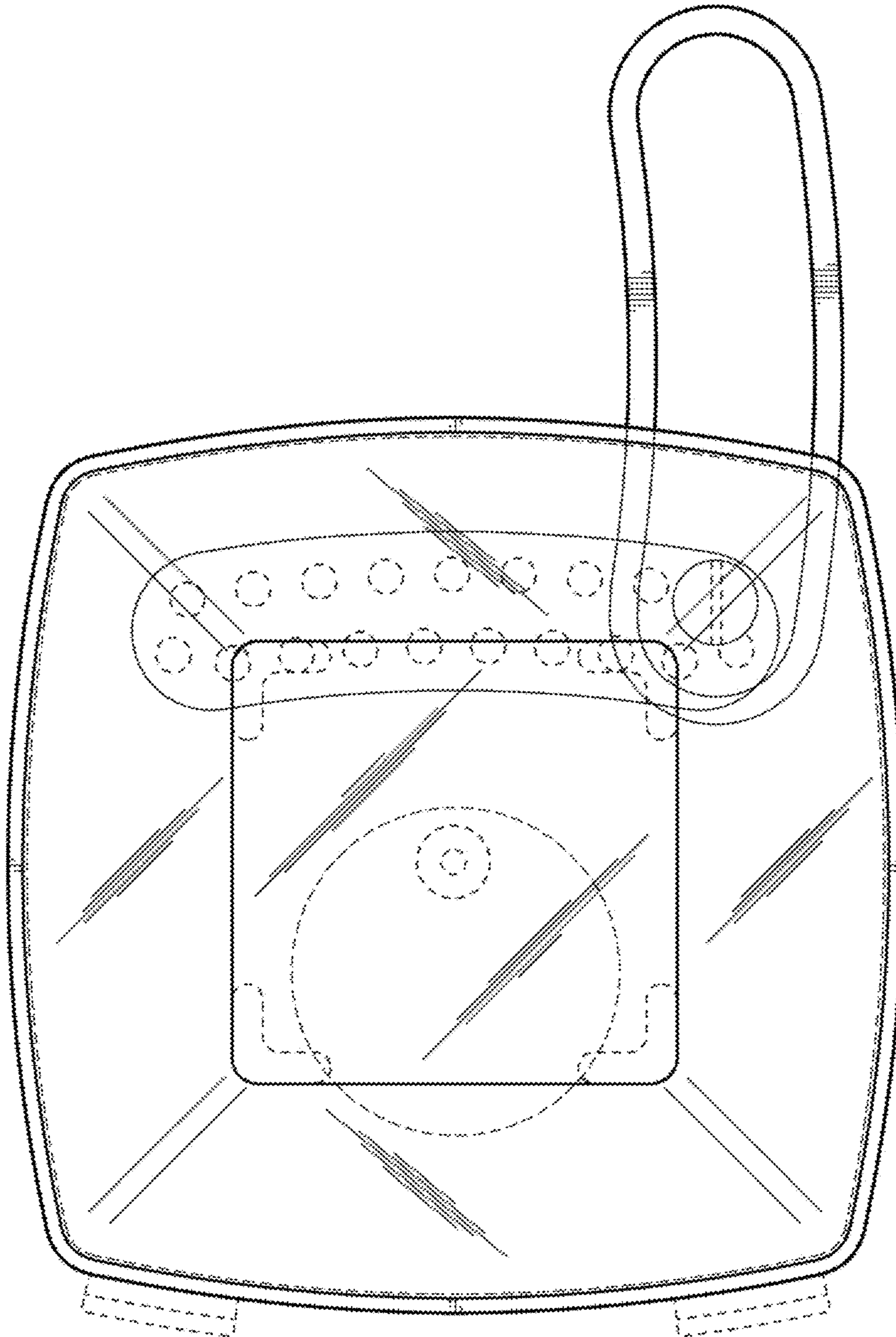


FIG. 10

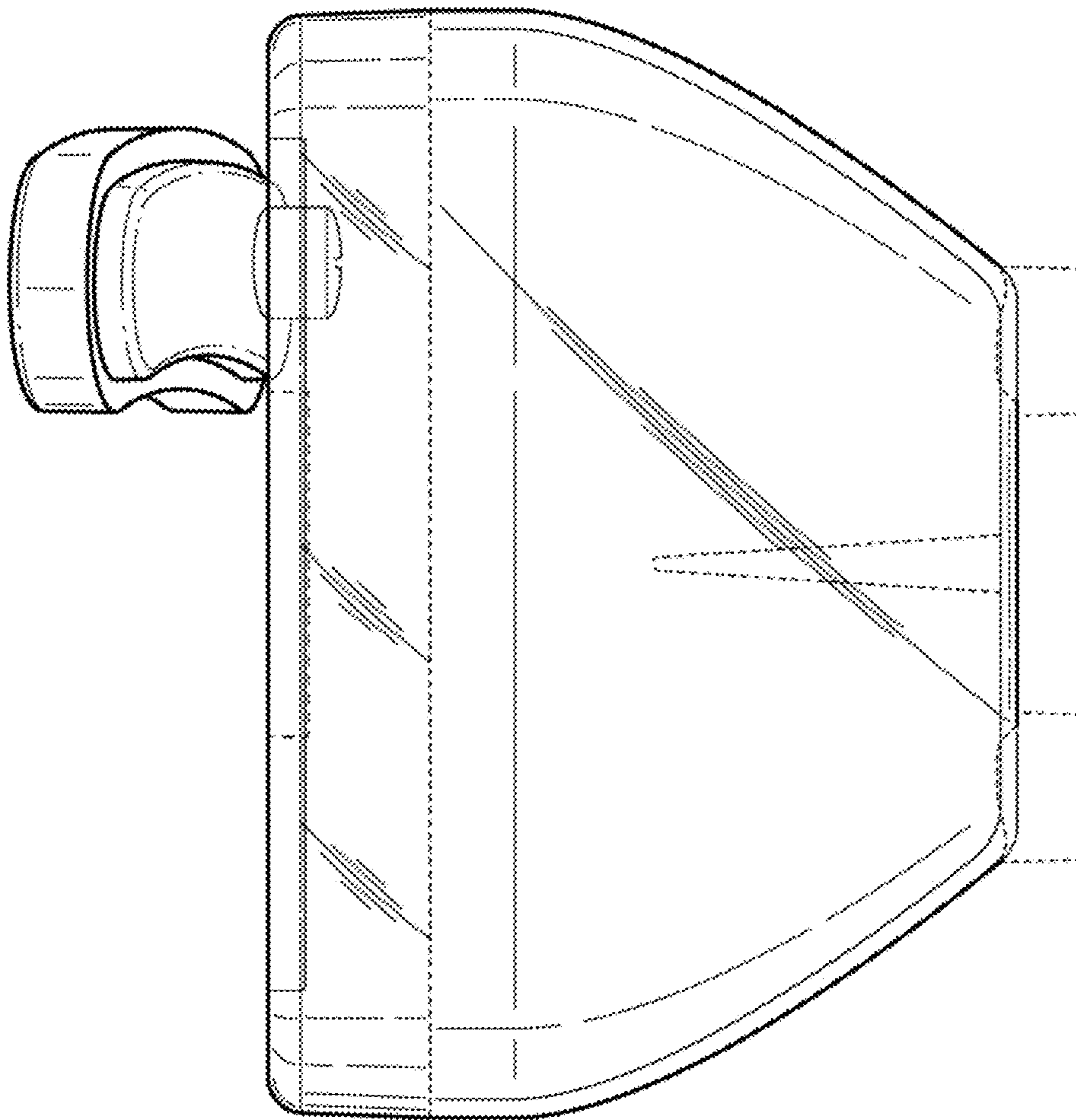


FIG. 11

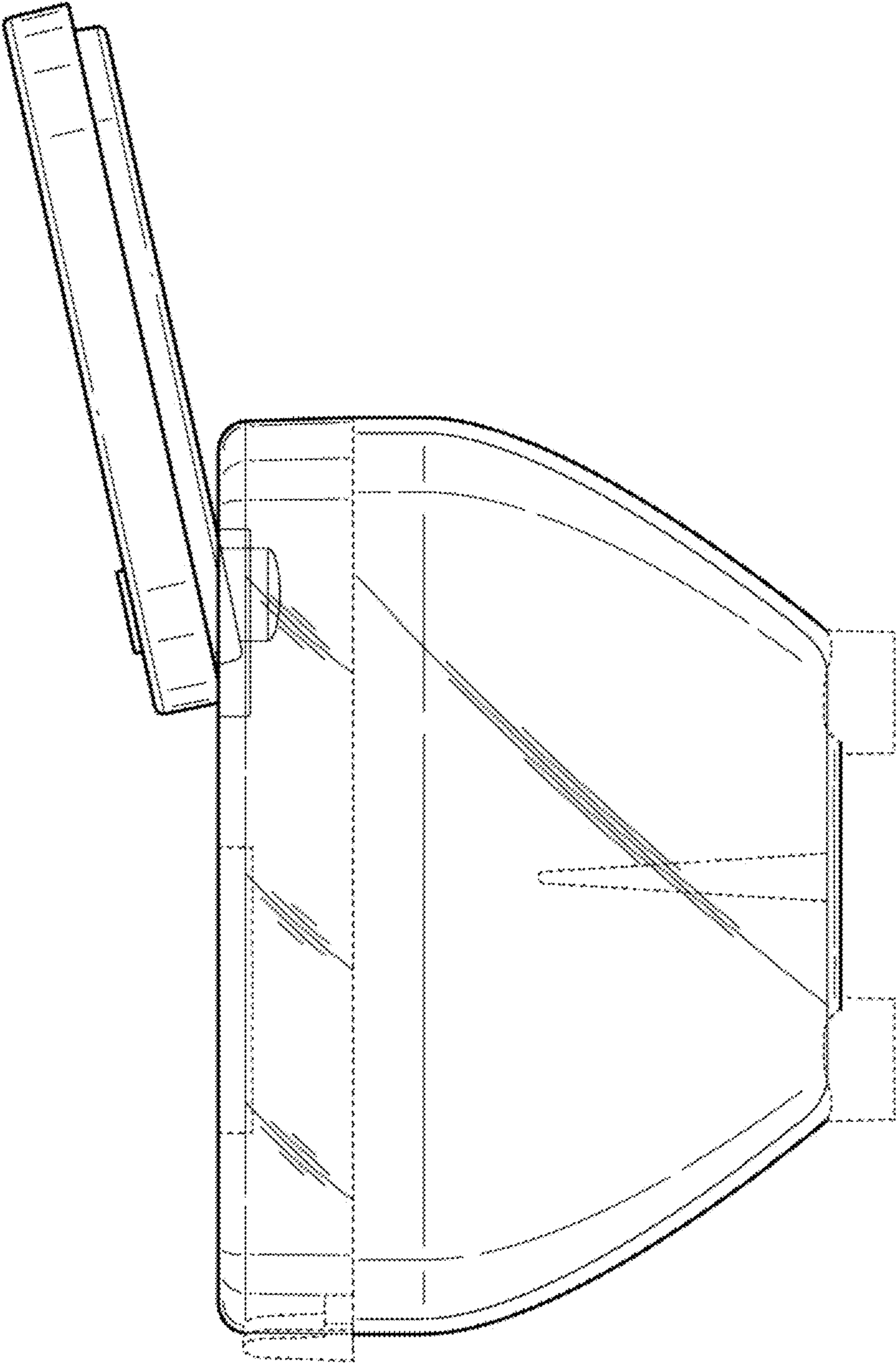


FIG. 12

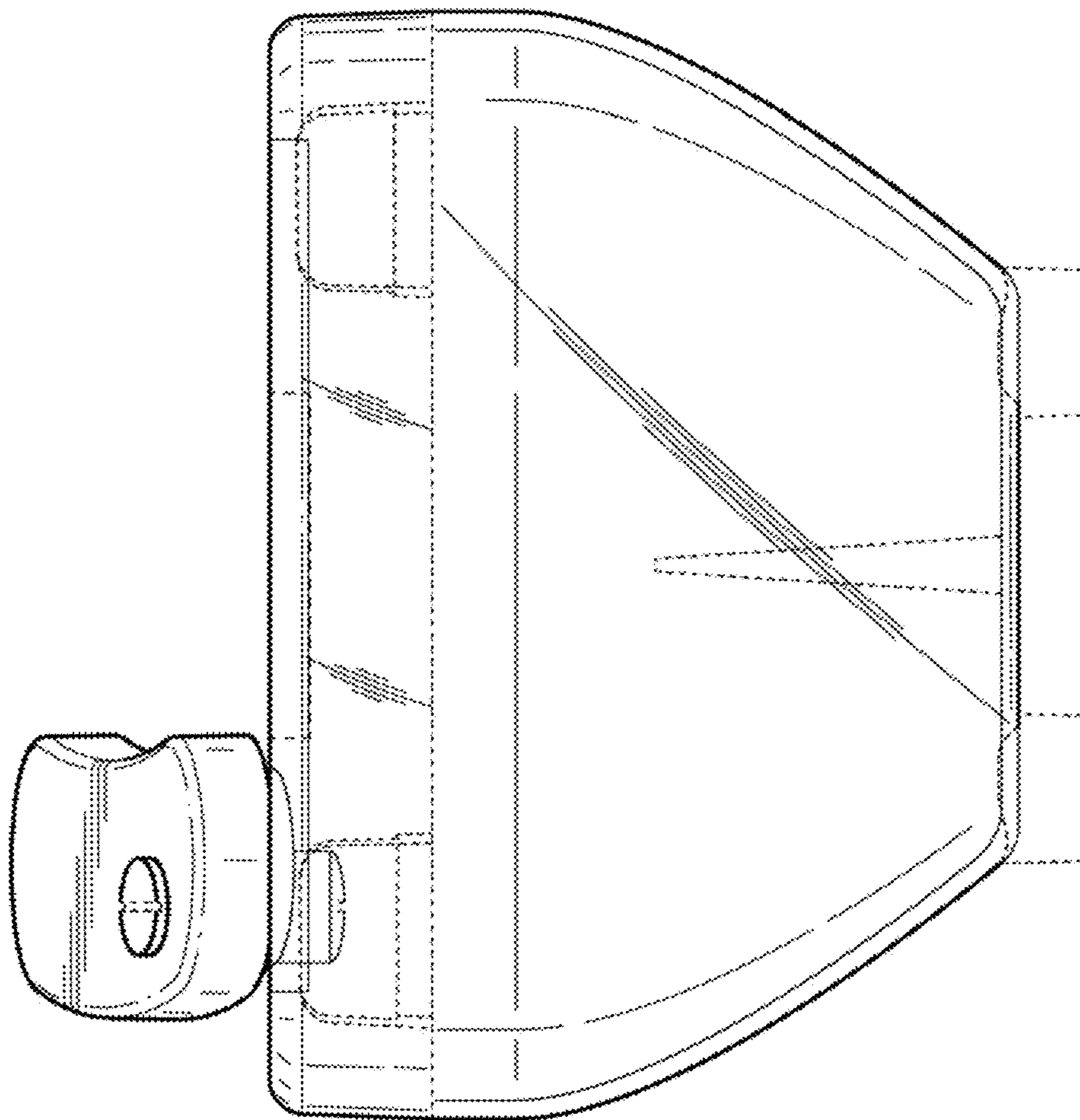


FIG. 13

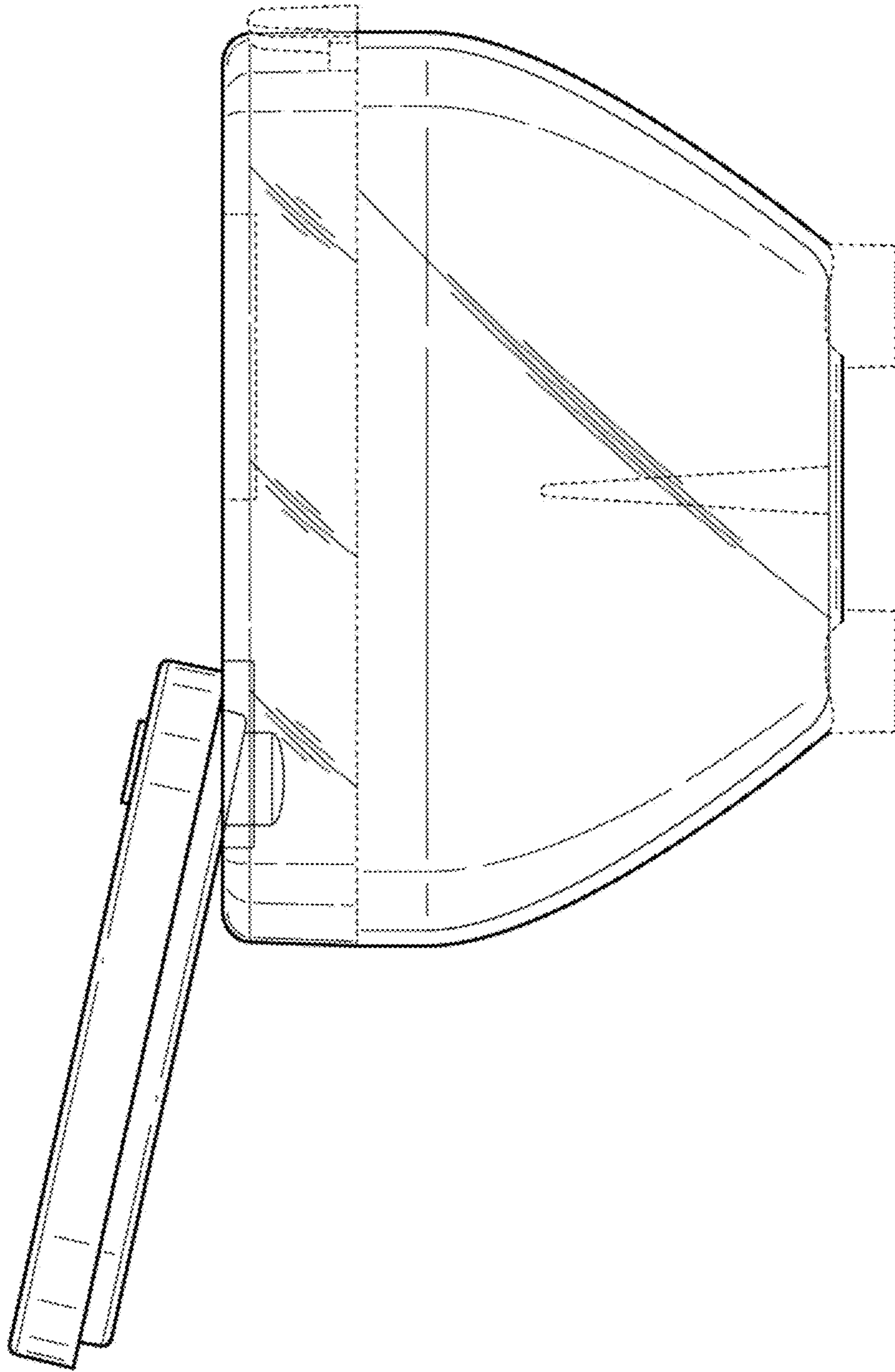


FIG. 14

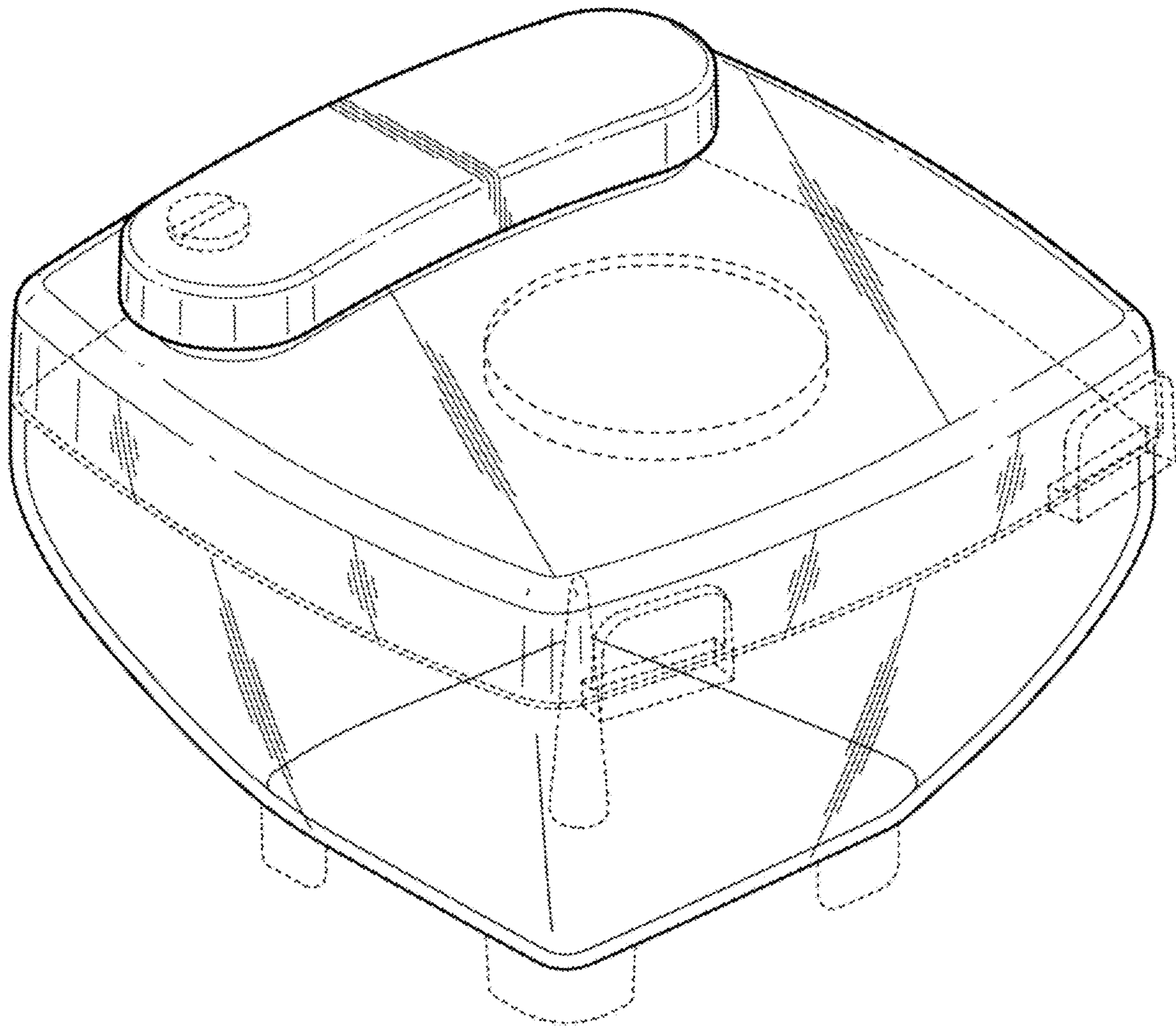


FIG. 15

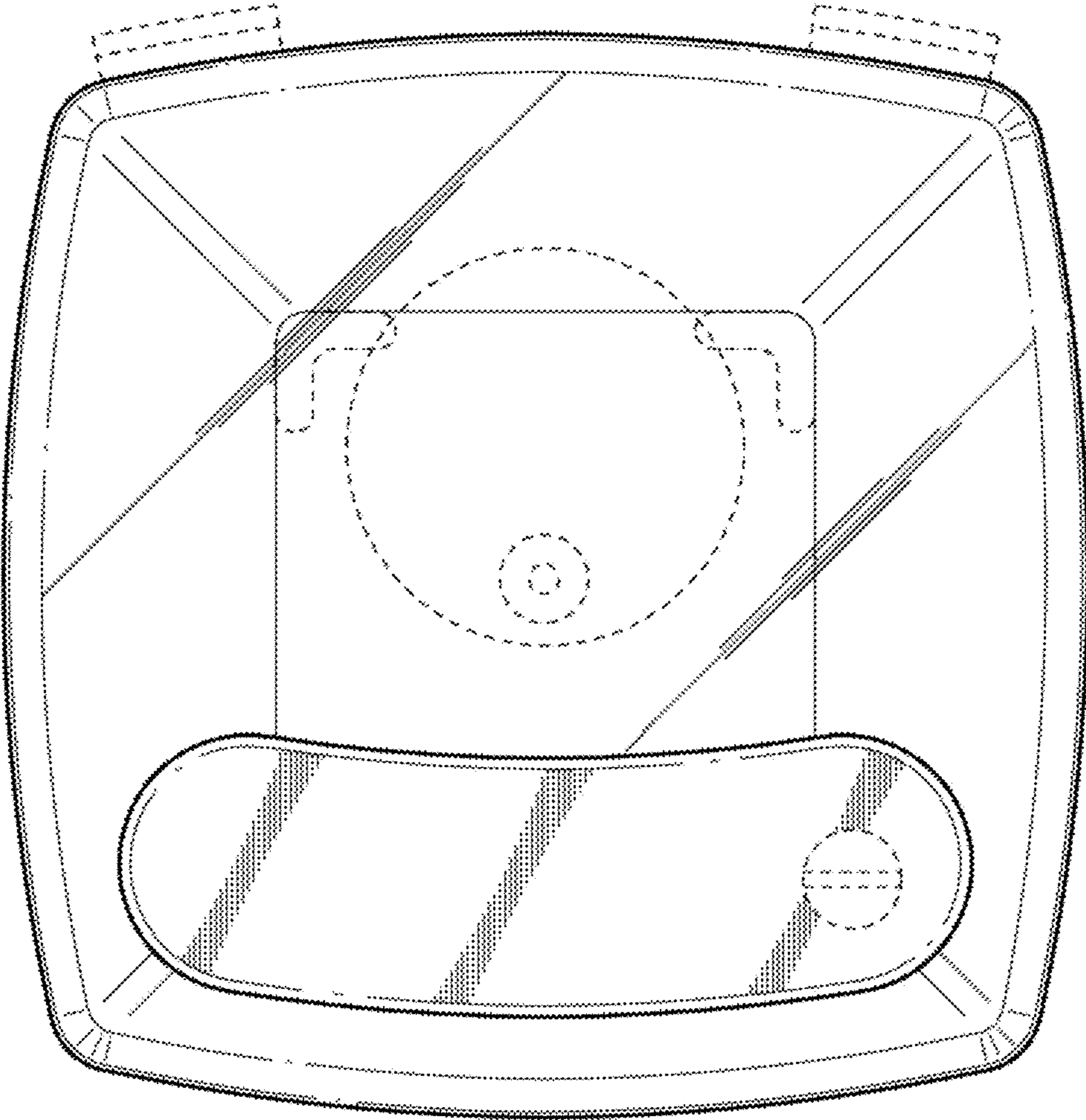


FIG. 16

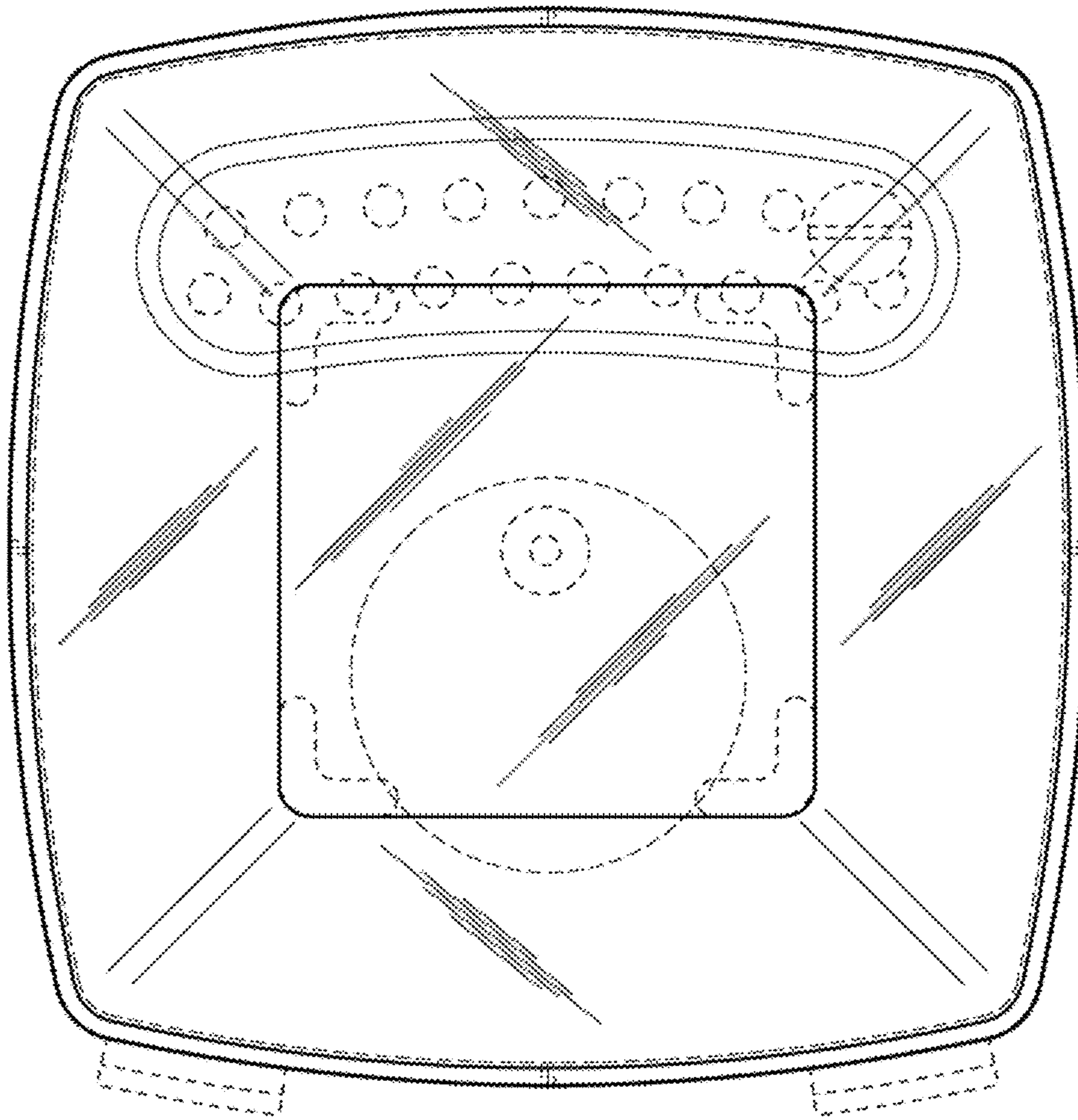


FIG. 17

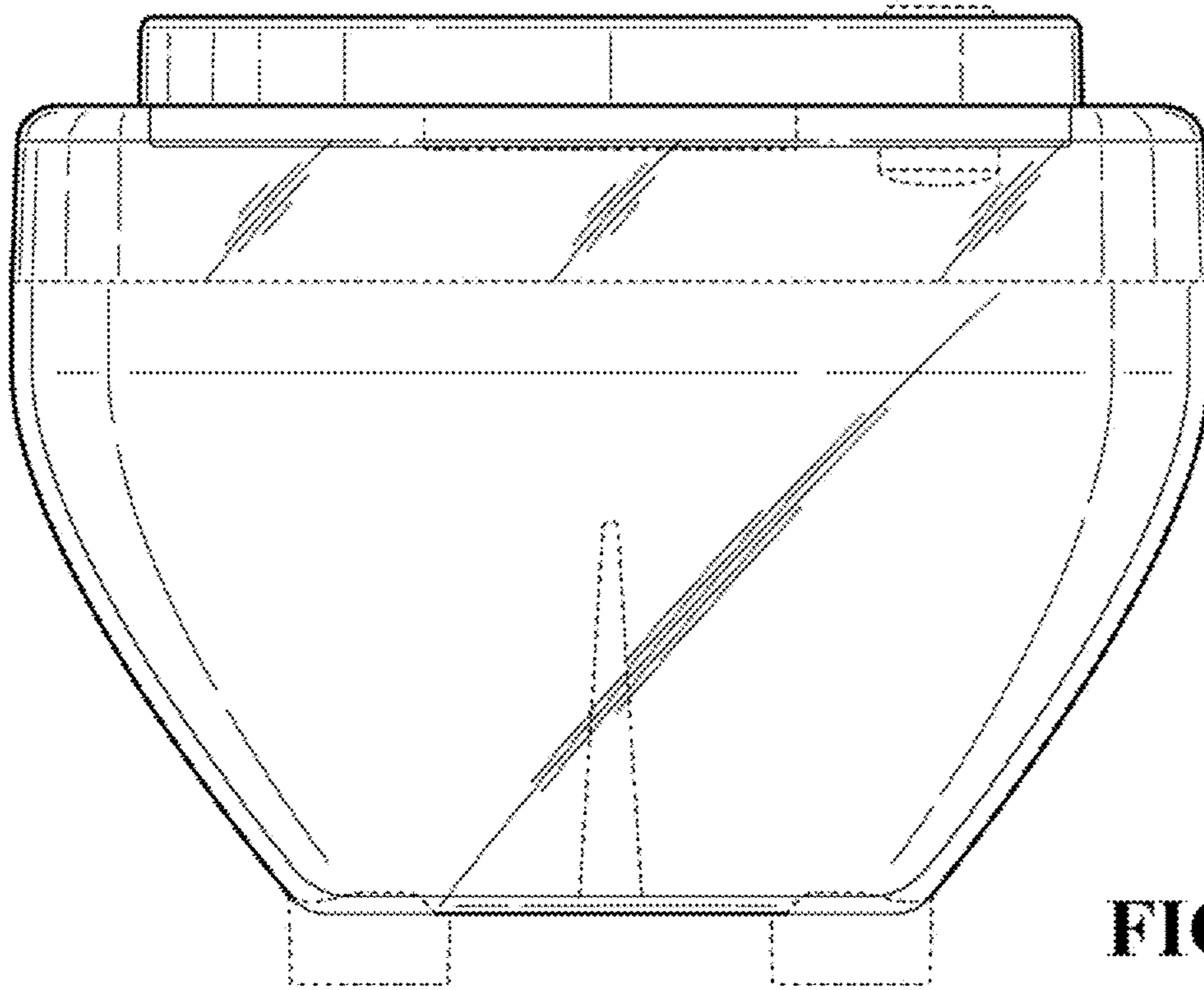


FIG. 18

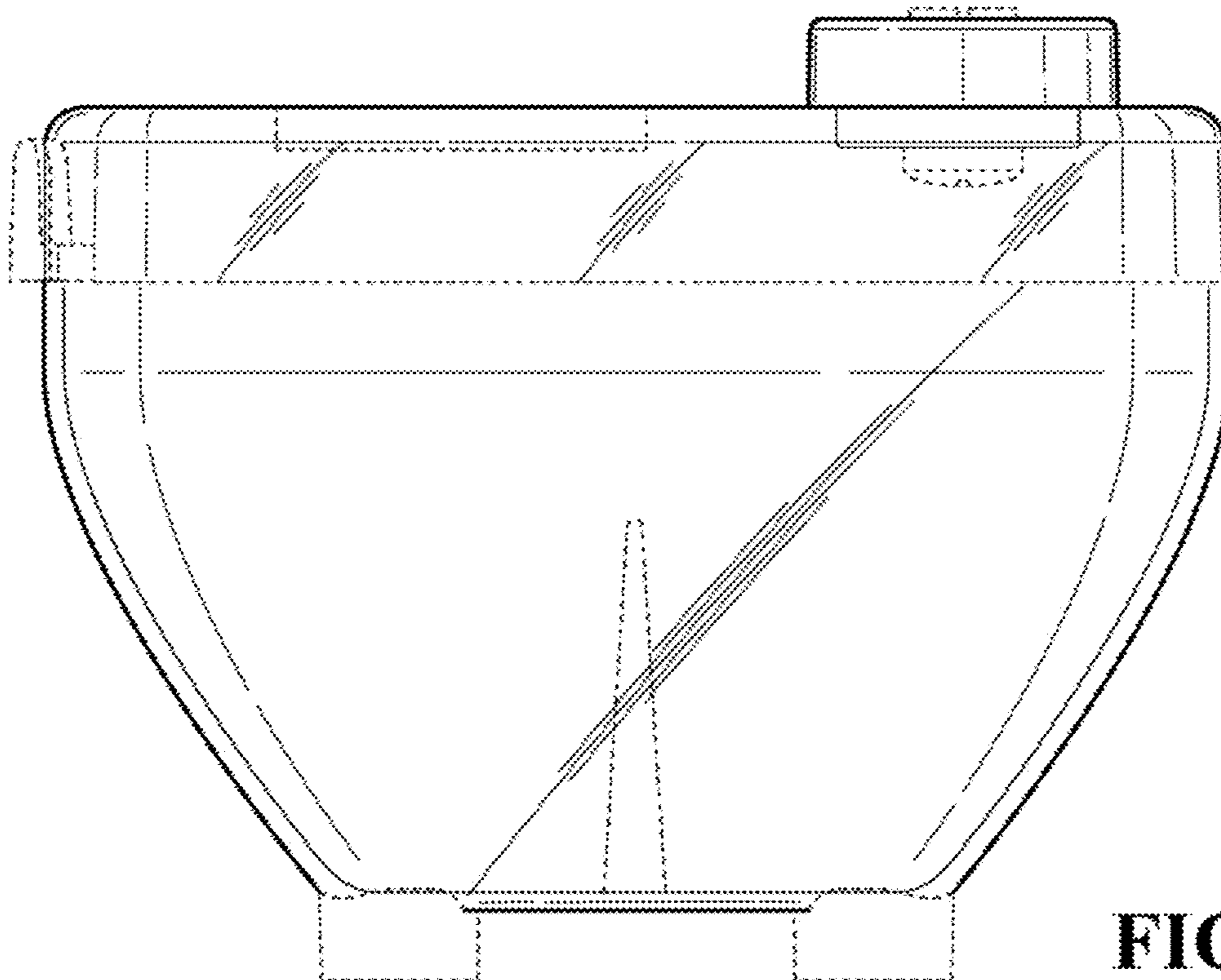


FIG. 19

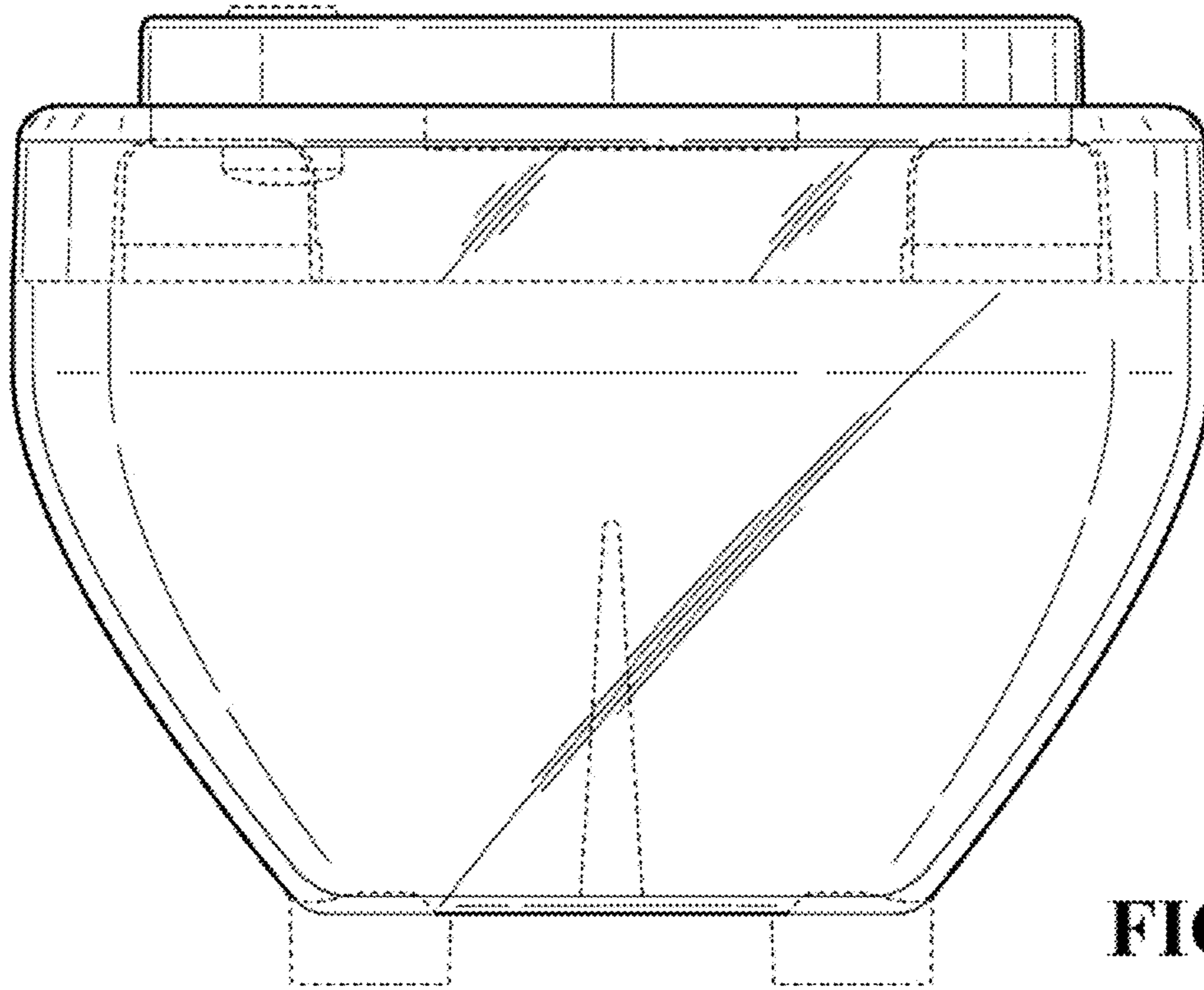


FIG. 20

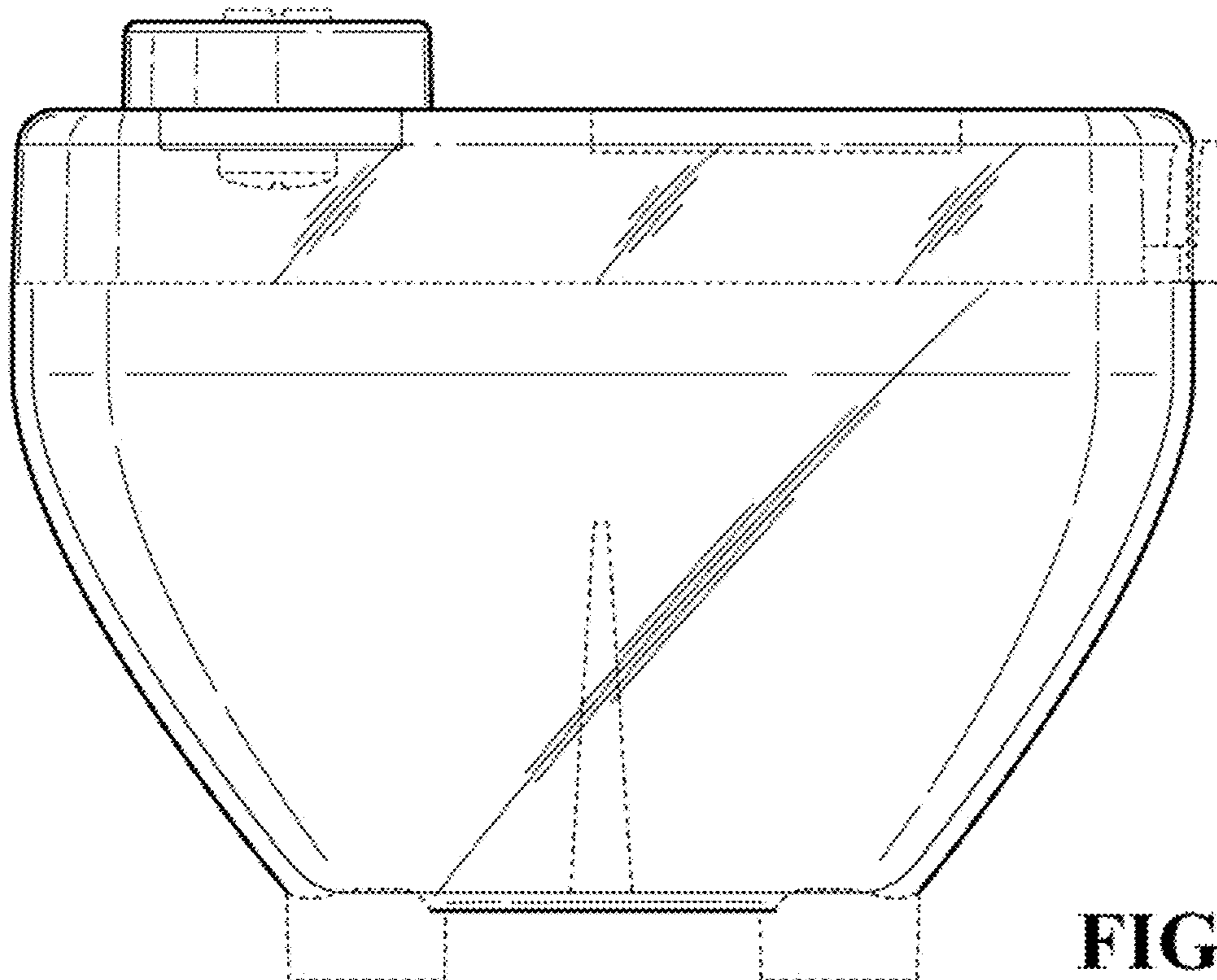


FIG. 21

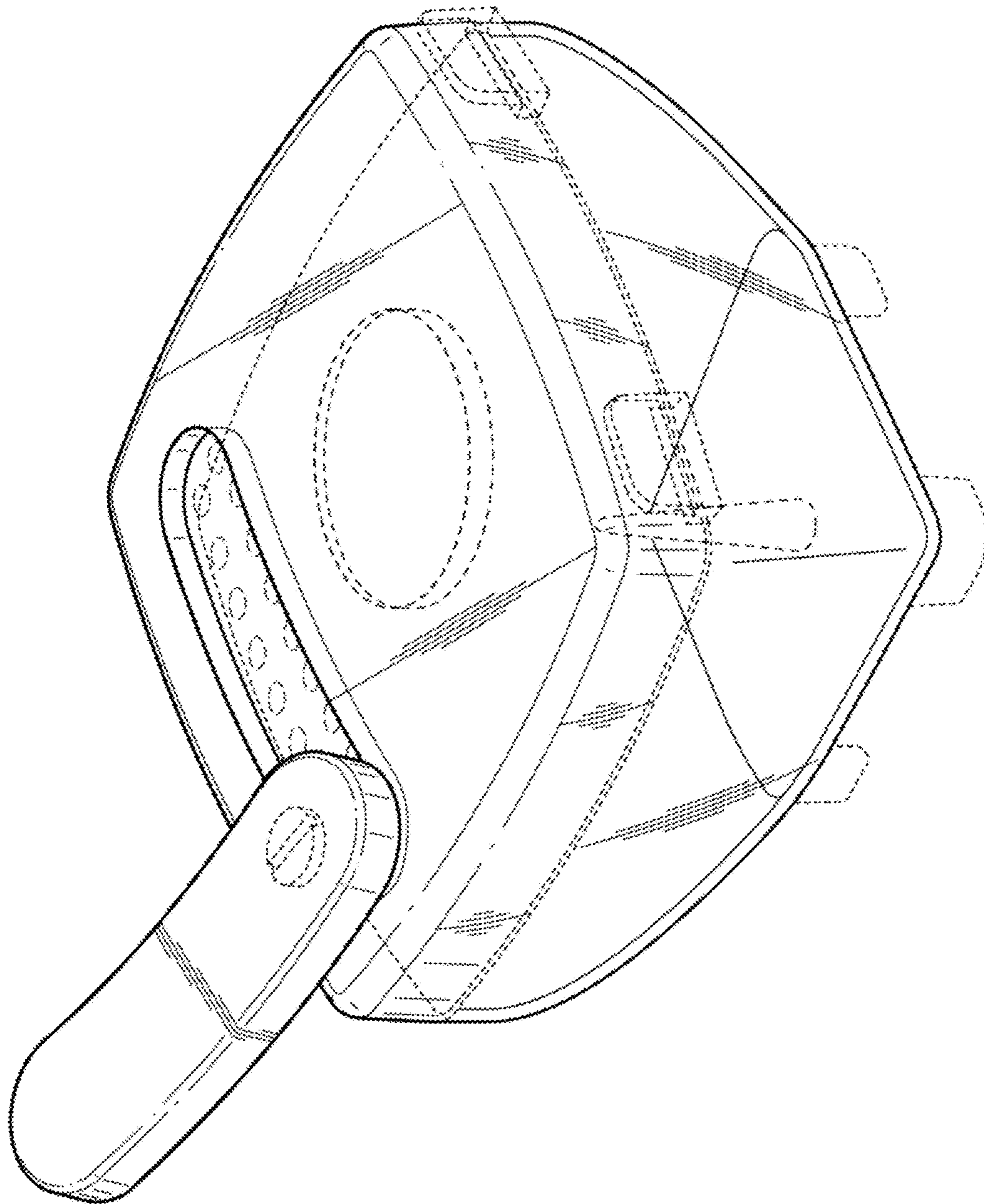


FIG. 22

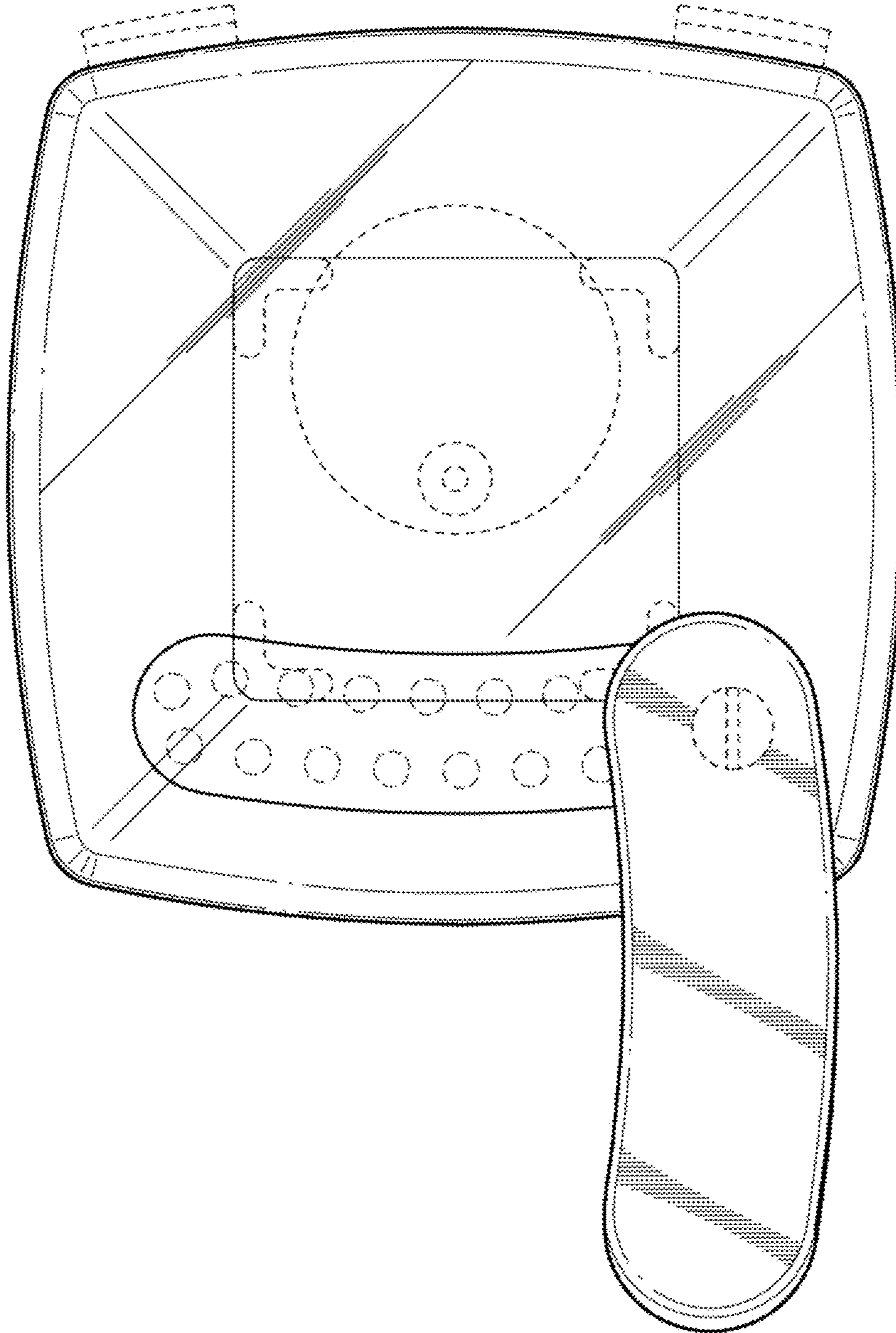


FIG. 23

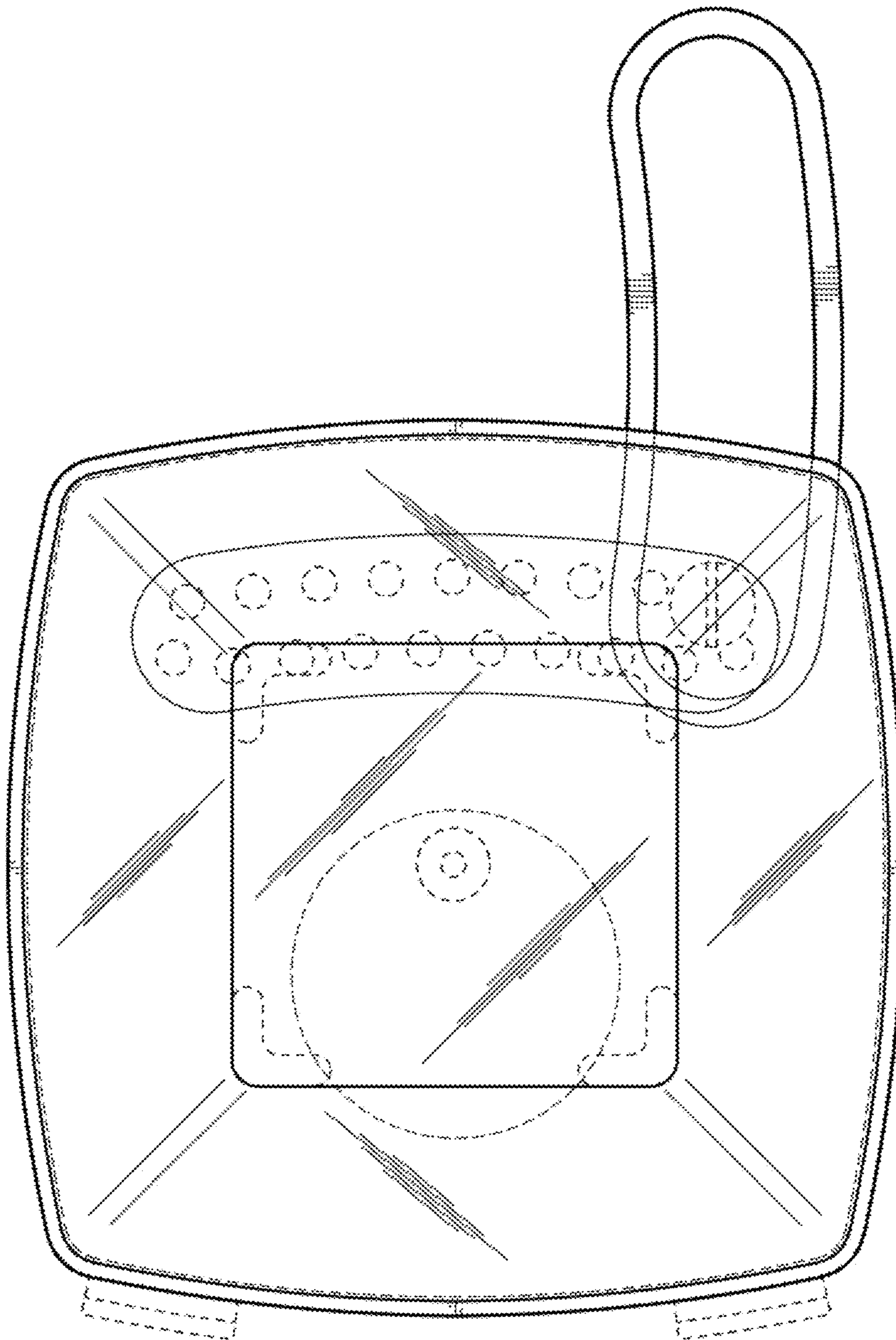


FIG. 24

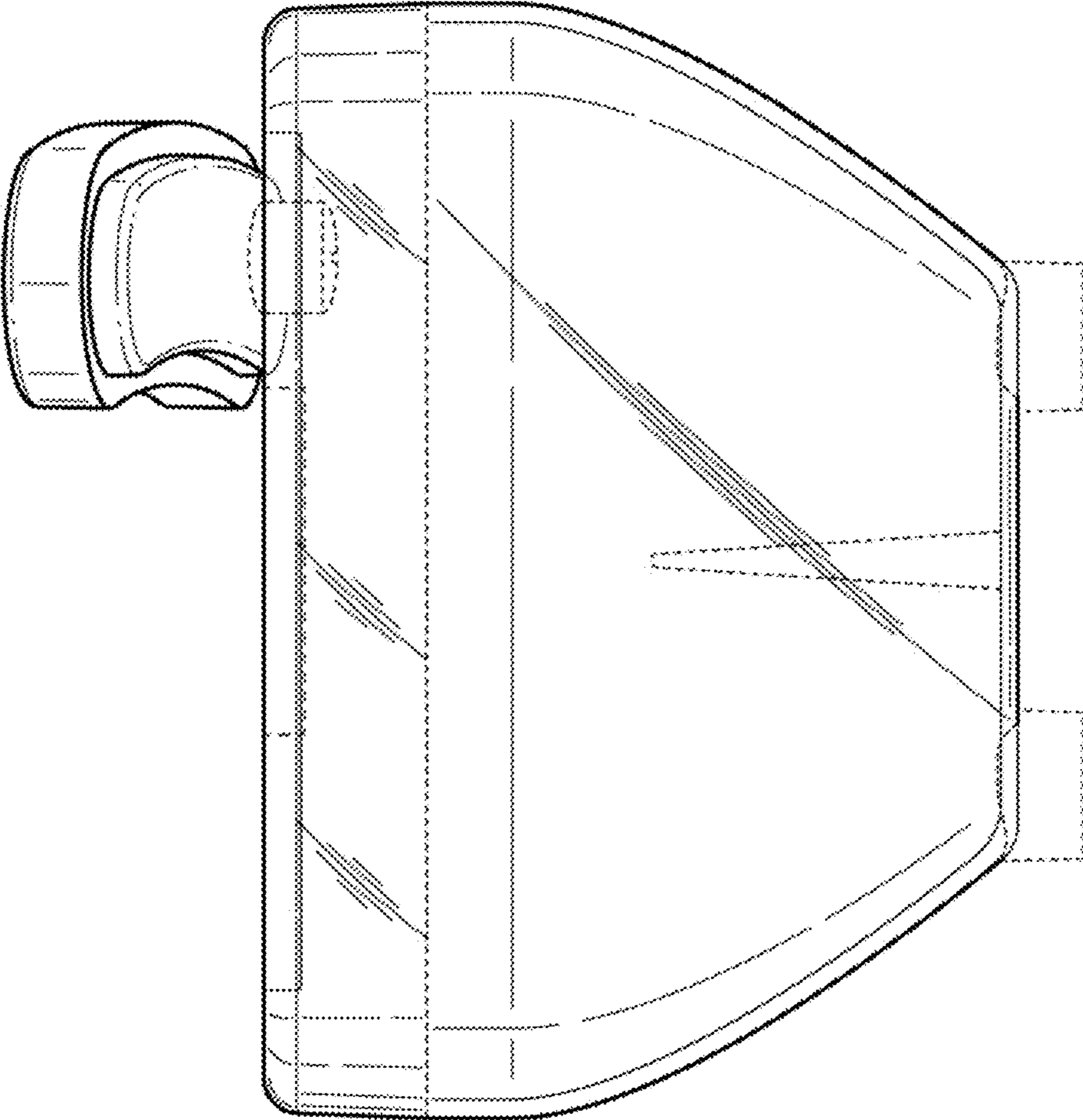


FIG. 25

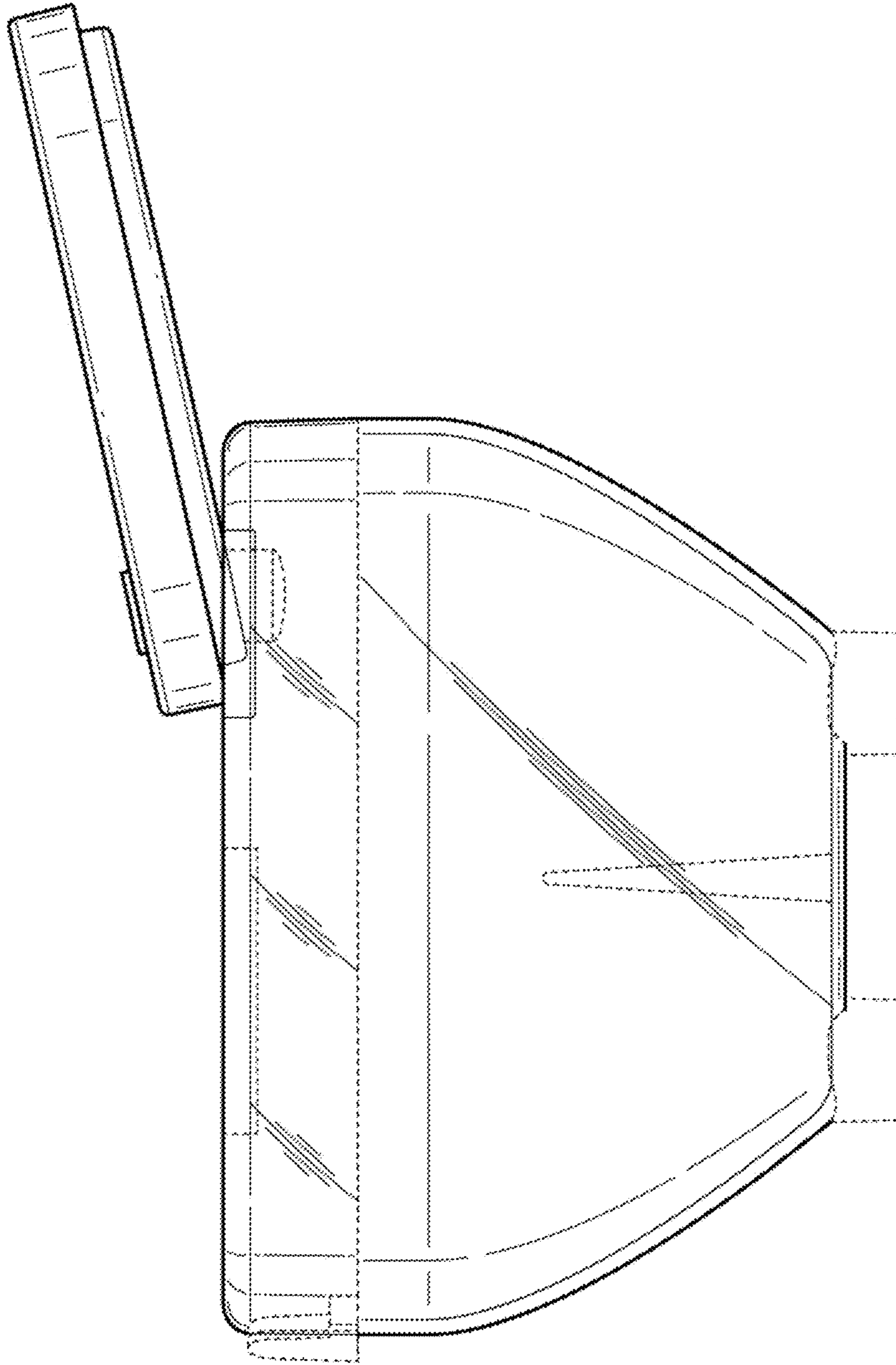


FIG. 26

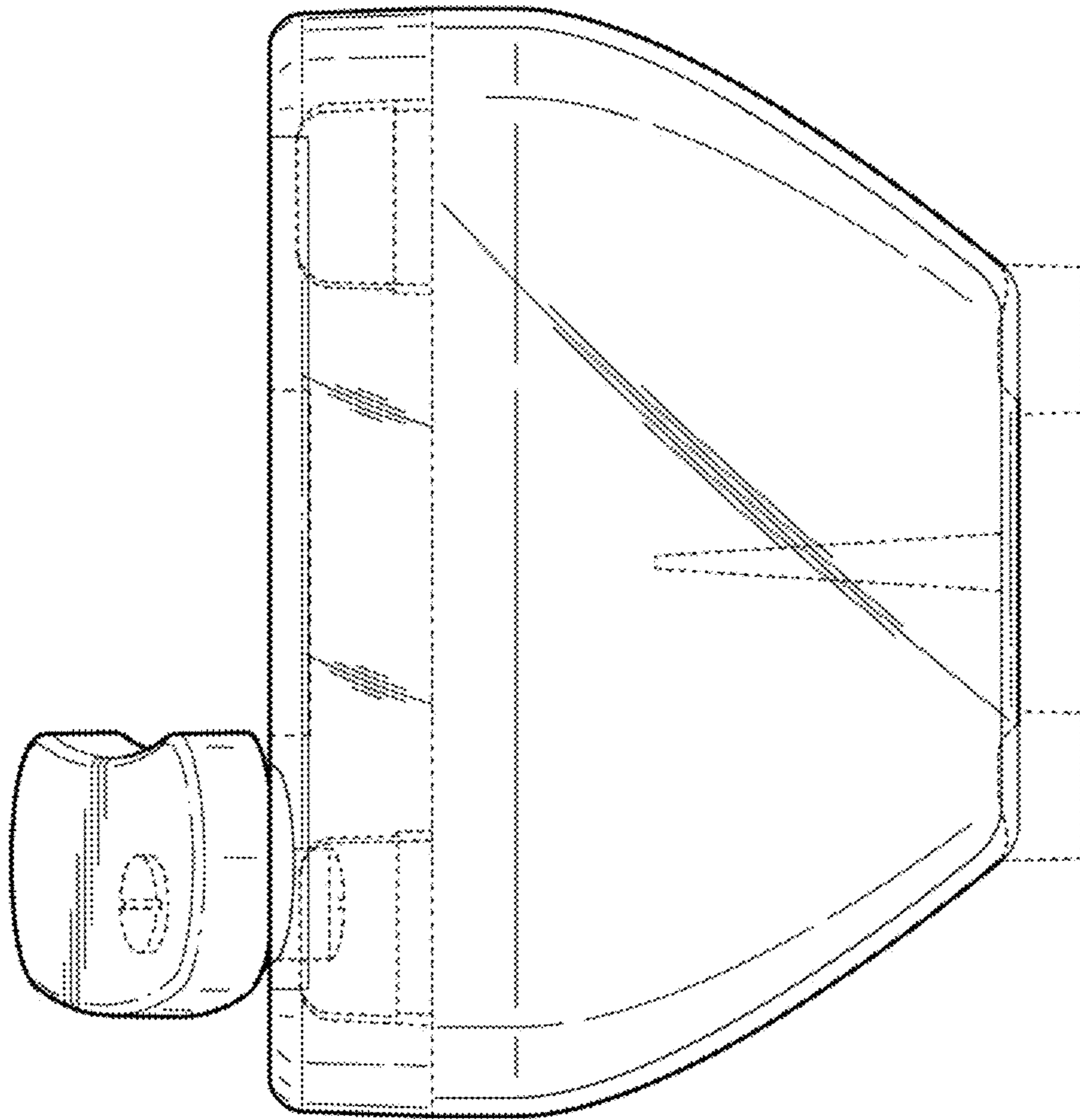


FIG. 27

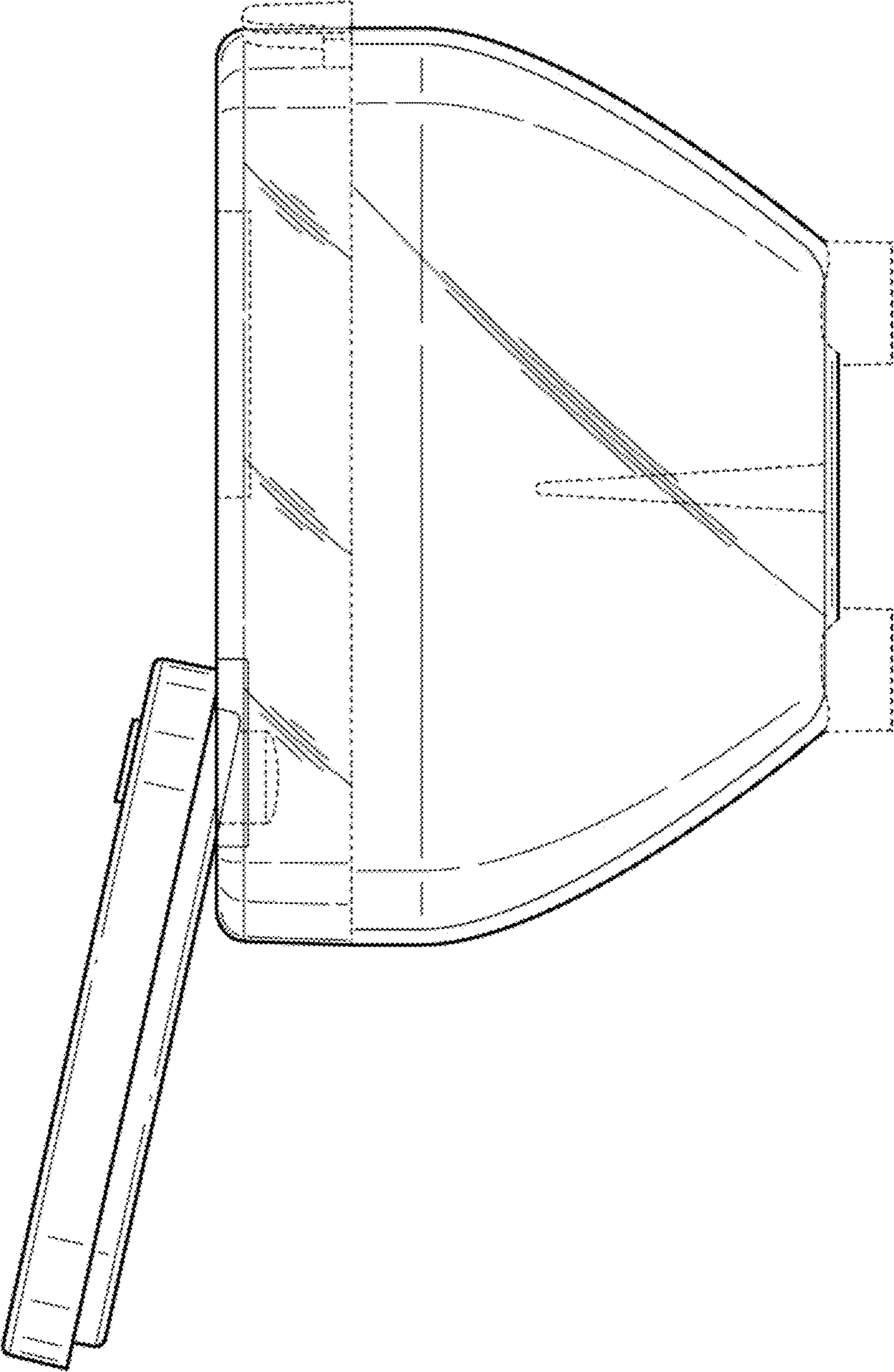


FIG. 28