

US00D957929S

(12) **United States Design Patent** (10) **Patent No.:** **US D957,929 S**  
**Kennedy** (45) **Date of Patent:** **\*\* Jul. 19, 2022**

(54) **LIGHT STAKE WITH BULB HOLDER**  
(71) Applicant: **Canny Systems, LLC**, Mansfield, TX (US)  
(72) Inventor: **Stacy L. Kennedy**, Mansfield, TX (US)  
(73) Assignee: **CANNY SYSTEMS, LLC**, Mansfield, TX (US)

D538,636 S \* 3/2007 Jackson ..... D8/395  
D671,826 S \* 12/2012 Adams, IV ..... D8/395  
D675,510 S \* 2/2013 Gary ..... D8/395  
D696,105 S \* 12/2013 Devilliers ..... D8/395  
D756,764 S \* 5/2016 Limber ..... D8/395  
D799,106 S \* 10/2017 Adams, IV ..... D26/138  
D799,314 S \* 10/2017 Adams, IV ..... D8/395  
D816,263 S \* 4/2018 Chang ..... D26/138  
D824,246 S \* 7/2018 Ming ..... D8/382  
(Continued)

(\*\*) Term: **15 Years**

(21) Appl. No.: **29/721,854**

(22) Filed: **Jan. 23, 2020**

(51) **LOC (13) Cl.** ..... **08-08**

(52) **U.S. Cl.**  
USPC ..... **D8/395; D26/138**

(58) **Field of Classification Search**  
USPC ..... D8/70-72, 354, 356, 371-377, 380-381,  
D8/394-398; D21/840; D26/138;  
D27/183  
CPC ..... F21W 2121/00; F21V 21/0824; F21V  
21/088  
See application file for complete search history.

(56) **References Cited**

**U.S. PATENT DOCUMENTS**

D282,104 S \* 1/1986 Taylor ..... D25/131  
D333,526 S \* 2/1993 Taylor ..... D25/131  
D377,076 S \* 12/1996 Adams ..... D21/840  
D377,844 S \* 2/1997 Gary ..... D21/840  
D378,980 S \* 4/1997 Thayer ..... D21/840  
D380,947 S \* 7/1997 Adams ..... D21/840  
D414,291 S \* 9/1999 Gary ..... D26/138  
D415,018 S \* 10/1999 Uhler ..... D21/840  
D424,418 S \* 5/2000 Gary ..... D26/138  
D436,218 S \* 1/2001 Gary ..... D26/138  
D469,566 S \* 1/2003 Gary ..... F21V 21/0824  
D26/138  
D494,849 S \* 8/2004 Jones ..... D8/395  
D537,330 S \* 2/2007 Cox ..... D8/395

**OTHER PUBLICATIONS**

“Adams 8-Inch Light Stakes”, Dec. 4, 2015, Amazon.com, site visited Oct. 6, 2021: <https://www.amazon.com/Adams-Manufacturing-9105-99-1640-Universal-Stakes/dp/B000LNQUT6> (Year: 2015).\*  
(Continued)

*Primary Examiner* — Jack Reickel  
*Assistant Examiner* — Michael A Kervin  
(74) *Attorney, Agent, or Firm* — Nixon Peabody LLP;  
Justin D. Swindells

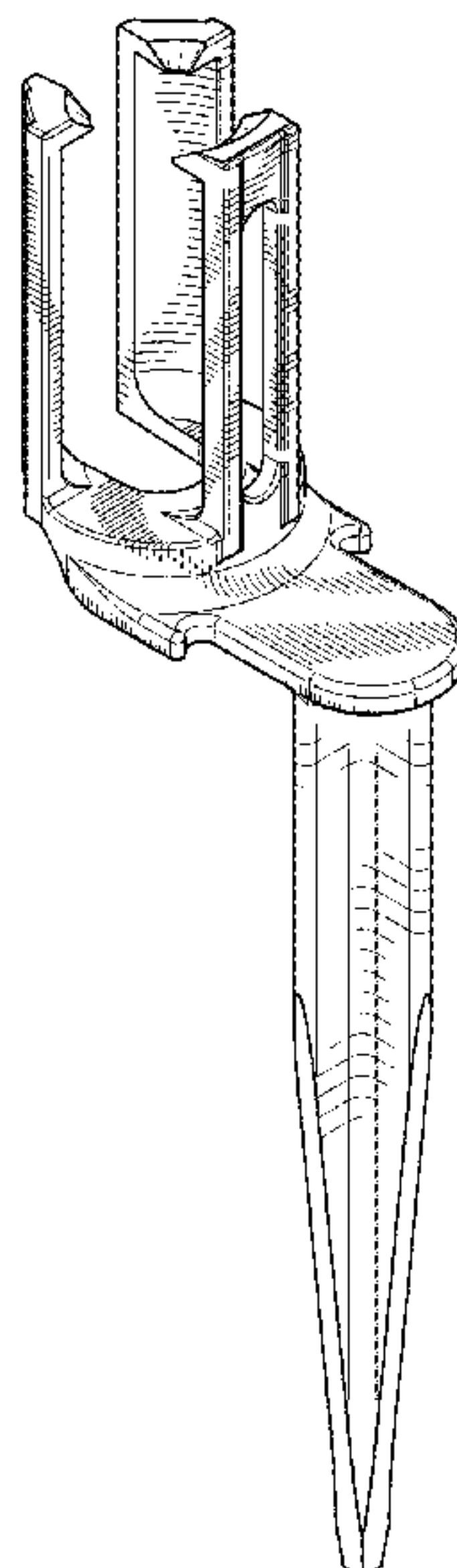
(57) **CLAIM**

I claim the ornamental design for a light stake with bulb holder, as shown and described.

**DESCRIPTION**

FIG. 1 is a top perspective view of a light stake with bulb holder;  
FIG. 2 is a bottom perspective view thereof;  
FIG. 3 is a side view of one side thereof;  
FIG. 4 is a front view thereof;  
FIG. 5 is a side view of the other side of the light stake with bulb holder shown in FIG. 3;  
FIG. 6 is a rear view of the light stake with bulb holder shown in FIG. 1;  
FIG. 7 is a top view thereof; and,  
FIG. 8 is a bottom view thereof.

**1 Claim, 4 Drawing Sheets**



(56)

**References Cited**

U.S. PATENT DOCUMENTS

D834,240 S \* 11/2018 Mullen ..... D26/138  
D856,791 S \* 8/2019 Limber ..... D8/395  
D909,194 S \* 2/2021 Felt ..... D8/395  
D914,271 S \* 3/2021 Wang ..... D26/138  
D939,335 S \* 12/2021 Kennedy ..... D8/395

OTHER PUBLICATIONS

“Raindrip Heavy Duty Support Stakes”, May 18, 2018, Amazon.com, site visited Oct. 6, 2021: <https://www.amazon.com/Raindrip-381025B-Support-Stakes-6-Inch/dp/B000BOAKKK> (Year: 2018).\*

“Canny Systems 5in Light Stakes”, Oct. 9, 2018, Amazon.com, site visited Oct. 6, 2021: <https://www.amazon.com/Christmas-Light-Stakes-Canny-Systems/dp/B08M2WKK33> (Year: 2018).\*

“Canny Systems 7.5in Light Stakes”, Oct. 9, 2018, Amazon.com, site visited Oct. 6, 2021: <https://www.amazon.com/Canny-Systems-Christmas-Light-Stake/dp/B07KMLL82L> (Year: 2018).\*

Screenshot of Applicant’s “site history” webpage; retrieved from [cannysystems.com](http://cannysystems.com), accessed Oct. 26, 2019 (1 page).

\* cited by examiner

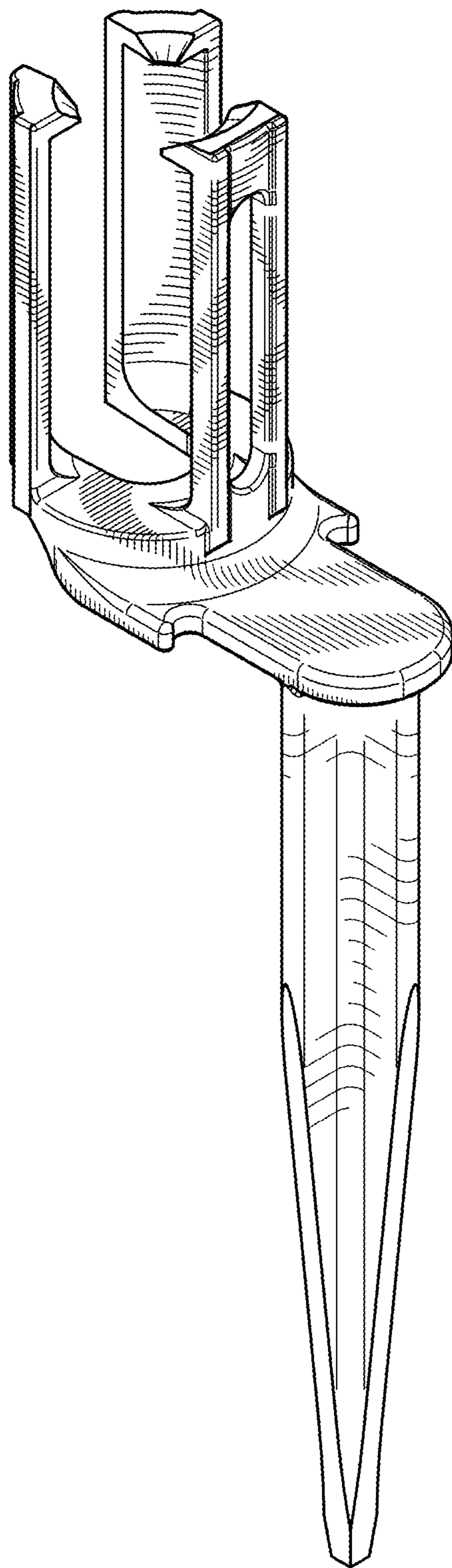


FIG. 1

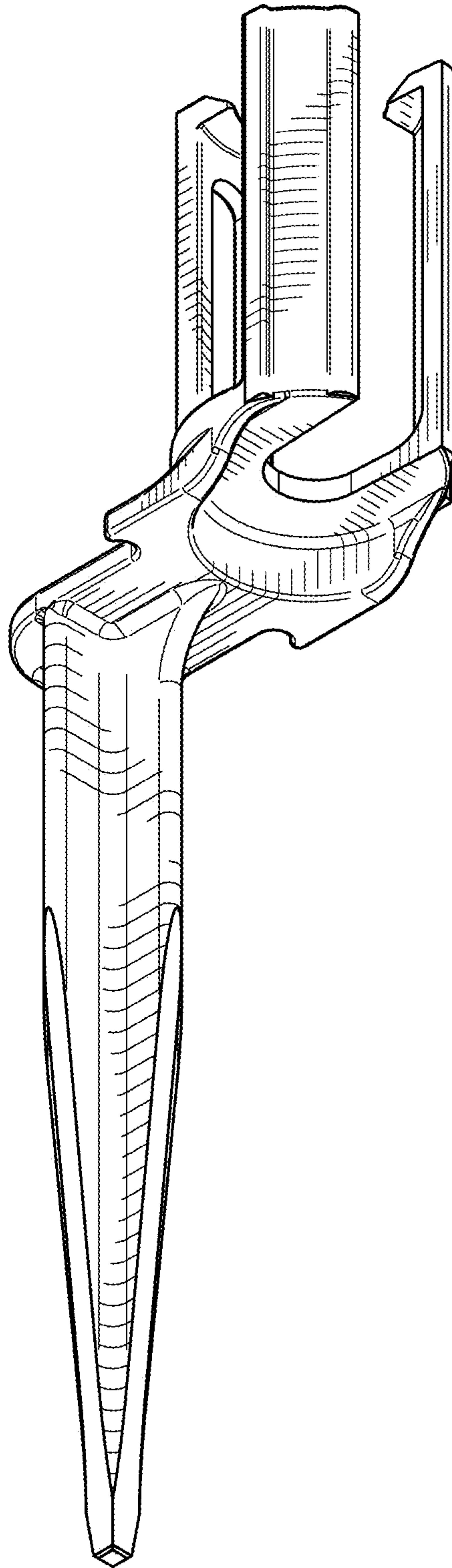


FIG. 2

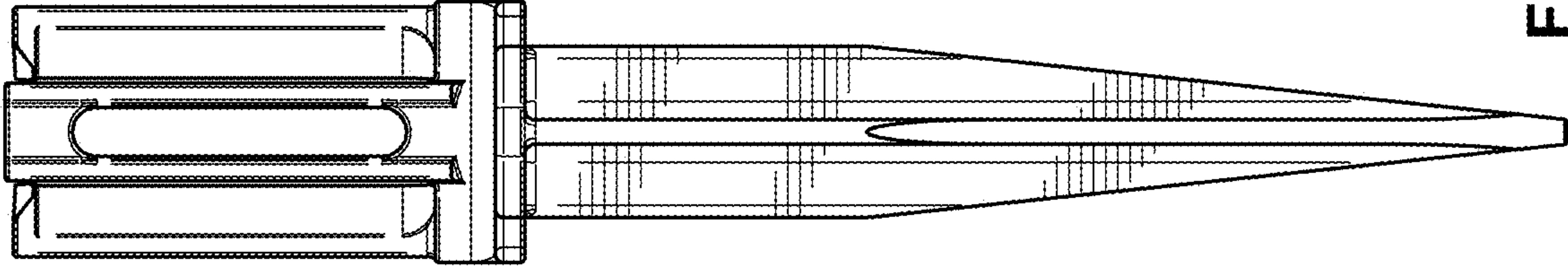


FIG. 6

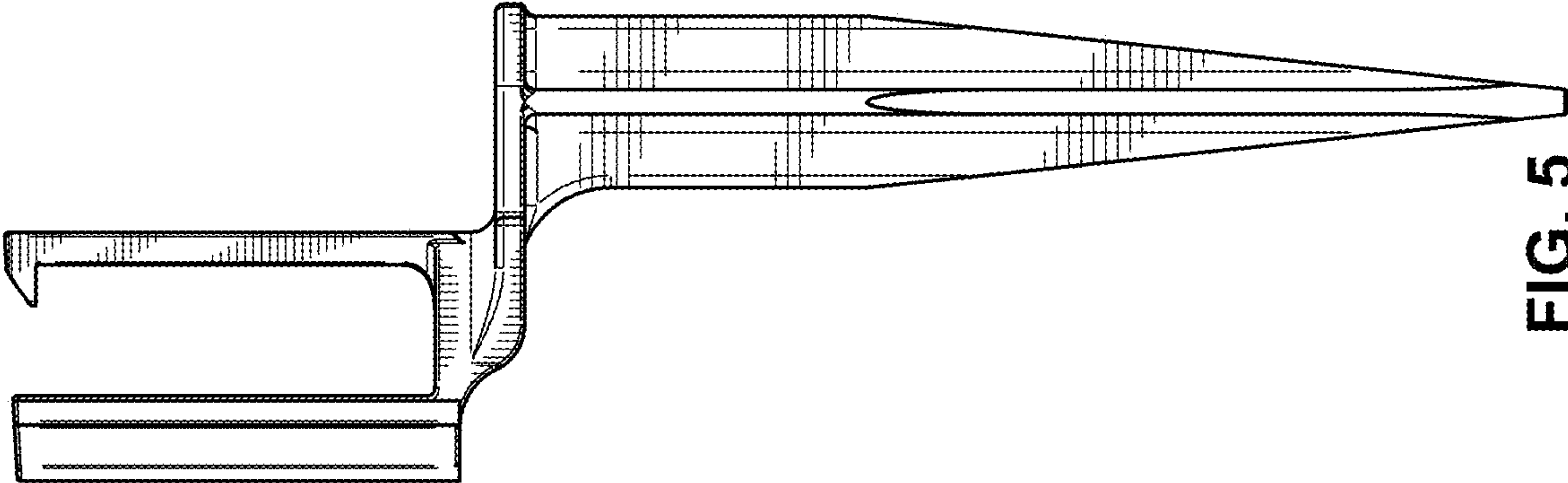


FIG. 5

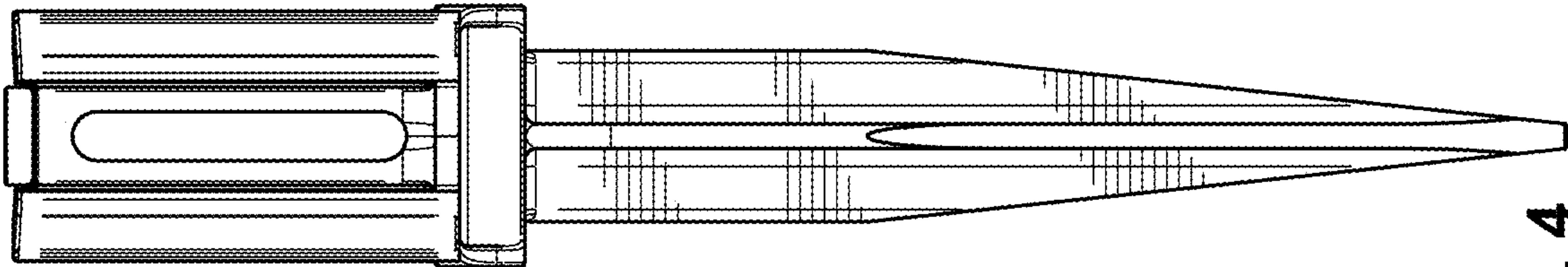


FIG. 4

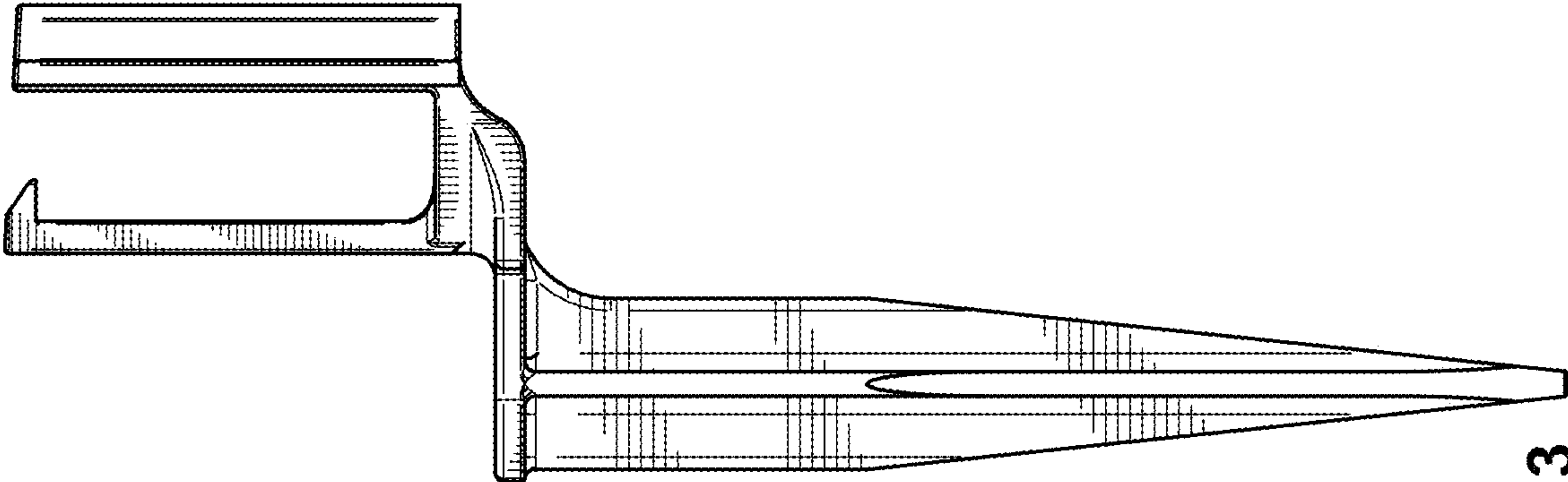
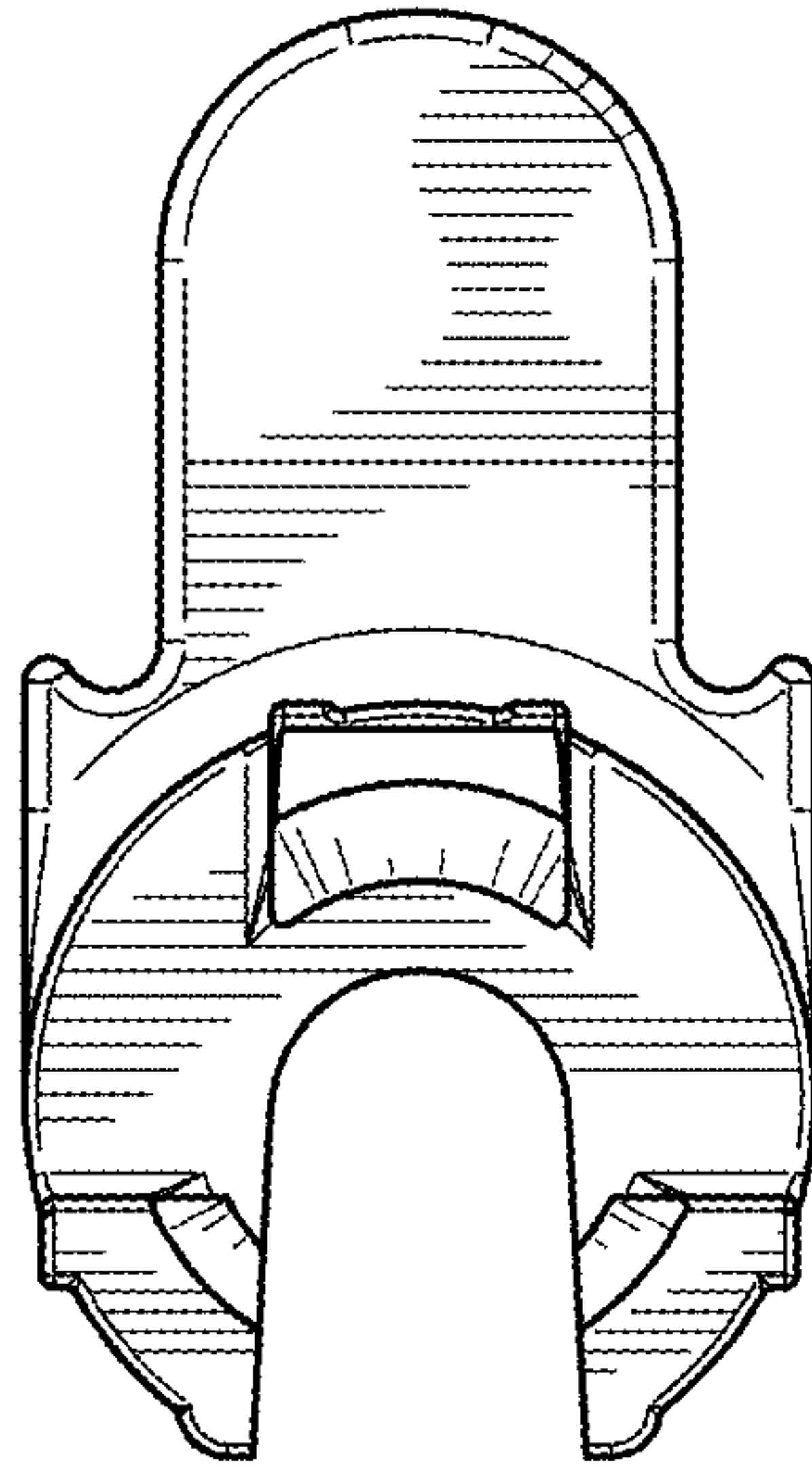
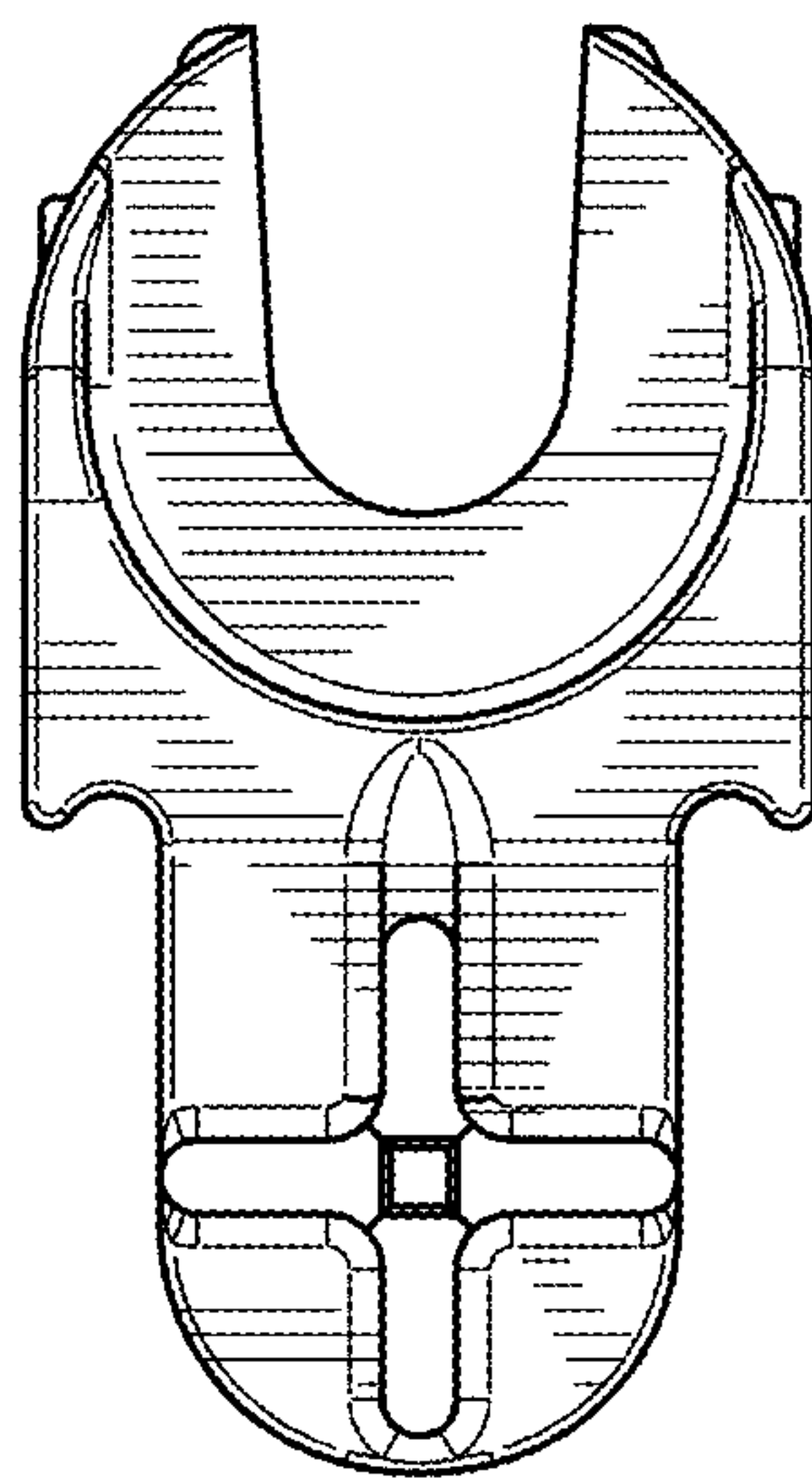


FIG. 3





**FIG. 7**



**FIG. 8**