



US00D957927S

(12) **United States Design Patent** (10) **Patent No.:** **US D957,927 S**
Wang (45) **Date of Patent:** **** Jul. 19, 2022**

(54) **SCREW ANCHOR**
(71) Applicants: **Masterpiece Hardware Industrial Co., Ltd.**, Lukang Township, Changhua County (TW); **I-Fang Wang**, Lukang Township, Changhua County (TW)
(72) Inventor: **I-Fang Wang**, Lukang Township (TW)
(73) Assignees: **Masterpiece Hardware Industrial Co., Ltd.**, Lukang Township (TW); **I-Fang Wang**, Lukang Township (TW)

D669,772 S * 10/2012 Fox D8/387
D792,549 S * 7/2017 McKillips D22/108
D828,148 S * 9/2018 Camilleri D8/387
D830,820 S * 10/2018 Sweeney D8/387
D831,475 S * 10/2018 Sweeney D8/387
D843,825 S * 3/2019 Wang D8/385
D848,251 S * 5/2019 Wang D8/385
D853,830 S * 7/2019 Wang D8/387
D863,050 S * 10/2019 Chao D8/387
D879,598 S * 3/2020 Pring D8/387

(Continued)

(**) Term: **15 Years**
(21) Appl. No.: **29/701,046**
(22) Filed: **Aug. 8, 2019**
(51) **LOC (13) Cl.** **08-08**
(52) **U.S. Cl.**
USPC **D8/387**
(58) **Field of Classification Search**
USPC D8/358, 373, 385, 386-388, 393, 402, D8/349, 382, 396-397; D11/79, 86, 222, D11/226; D17/20; D24/171
CPC F16B 12/22; F16B 12/24; F16B 12/125; F16B 37/14; F16B 12/20; F16B 12/26; F16B 13/045; F16B 19/109; F16B 2001/0064; F16B 31/021; F16B 35/00; F16B 37/085; F16B 37/145; E04B 1/4178; E04B 1/7616
See application file for complete search history.

OTHER PUBLICATIONS

Heavy Duty Metal Self-Drill Plasterboard Fixings, Date Visited: Aug. 10, 2021, Amazon, Date Available: Sep. 10, 2020, <https://www.amazon.co.uk/Self-Drill-Plasterboard-Fixings-Drilling-Drywall/dp/B08HRMQGST> (Year: 2020).*

(Continued)

Primary Examiner — Karen S Acker
Assistant Examiner — Elizabeth Sun Ko
(74) *Attorney, Agent, or Firm* — Alan D. Kamrath; Karin L. Williams; Mayer & Williams PC

(57) **CLAIM**

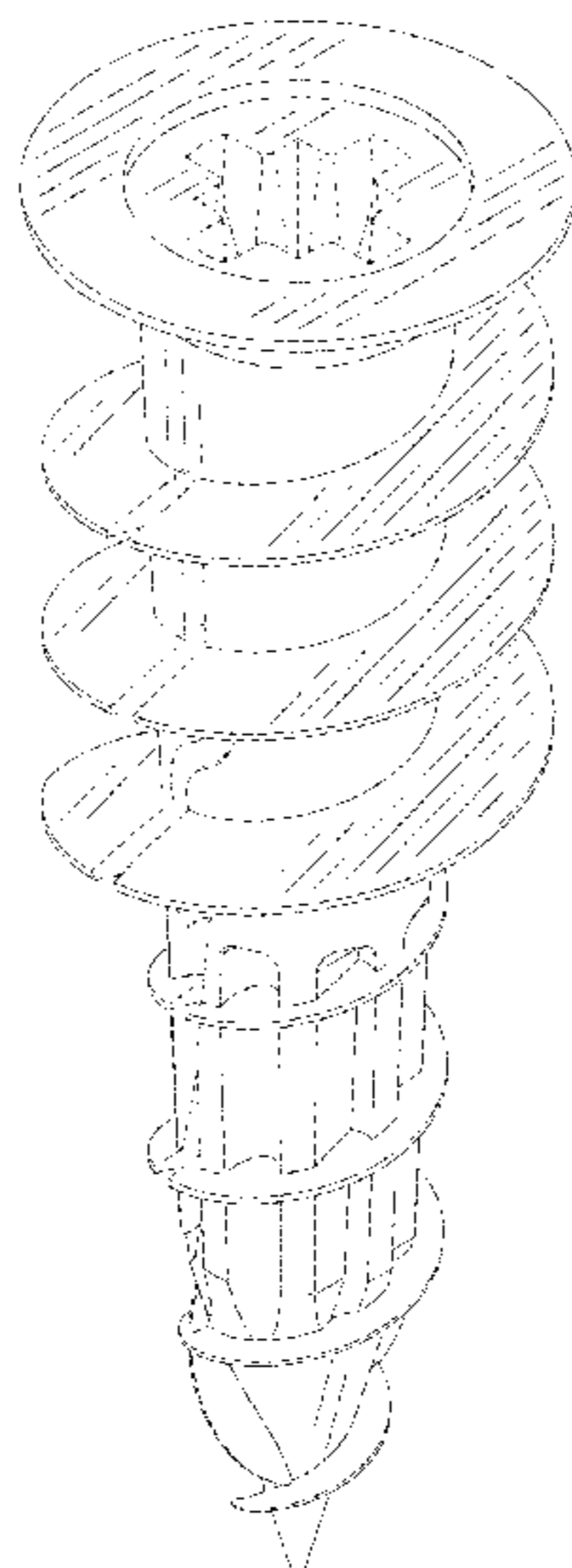
The ornamental design for a screw anchor, as shown and described.

DESCRIPTION

FIG. 1 is a perspective view of a screw anchor showing my design;
FIG. 2 is a front elevational view thereof;
FIG. 3 is a rear elevational view thereof;
FIG. 4 is a left side elevational view thereof;
FIG. 5 is a right side elevational view thereof;
FIG. 6 is a top plan view thereof; and,
FIG. 7 is a bottom plan view thereof.
The broken lines depict portions of the screw anchor that form no part of the claimed design.

1 Claim, 7 Drawing Sheets

(56) **References Cited**
U.S. PATENT DOCUMENTS
5,160,225 A * 11/1992 Chern F16B 13/002 408/203.5
D378,052 S * 2/1997 Perreault D8/387
D462,895 S * 9/2002 Gaudron D8/385
D605,933 S * 12/2009 Gaudron D8/385
D642,900 S * 8/2011 McDuff D8/385
D666,901 S * 9/2012 Surjan D8/387



(56)

References Cited

U.S. PATENT DOCUMENTS

D882,385 S * 4/2020 Tjerrild D8/387
D885,874 S * 6/2020 Hsiao D8/387
D887,259 S * 6/2020 Schwarzmann D8/387
D892,604 S * 8/2020 Tsai D8/387
D895,411 S * 9/2020 Camilleri D8/387
D899,238 S * 10/2020 Scott D8/387

OTHER PUBLICATIONS

Screw Anchor Ca Orbit, Date Visited: Aug. 10, 2021, Orbit, Date Available: Oct. 19, 2020, 189119-CA (Year: 2020).*

TIFCO Industries—Wall Driller Screw Anchor, Date Visited: Aug. 10, 2021, TifCo, Date Available: Aug. 10, 2021, <https://www.tifco.com/products/77133> (Year: 2021).*

* cited by examiner

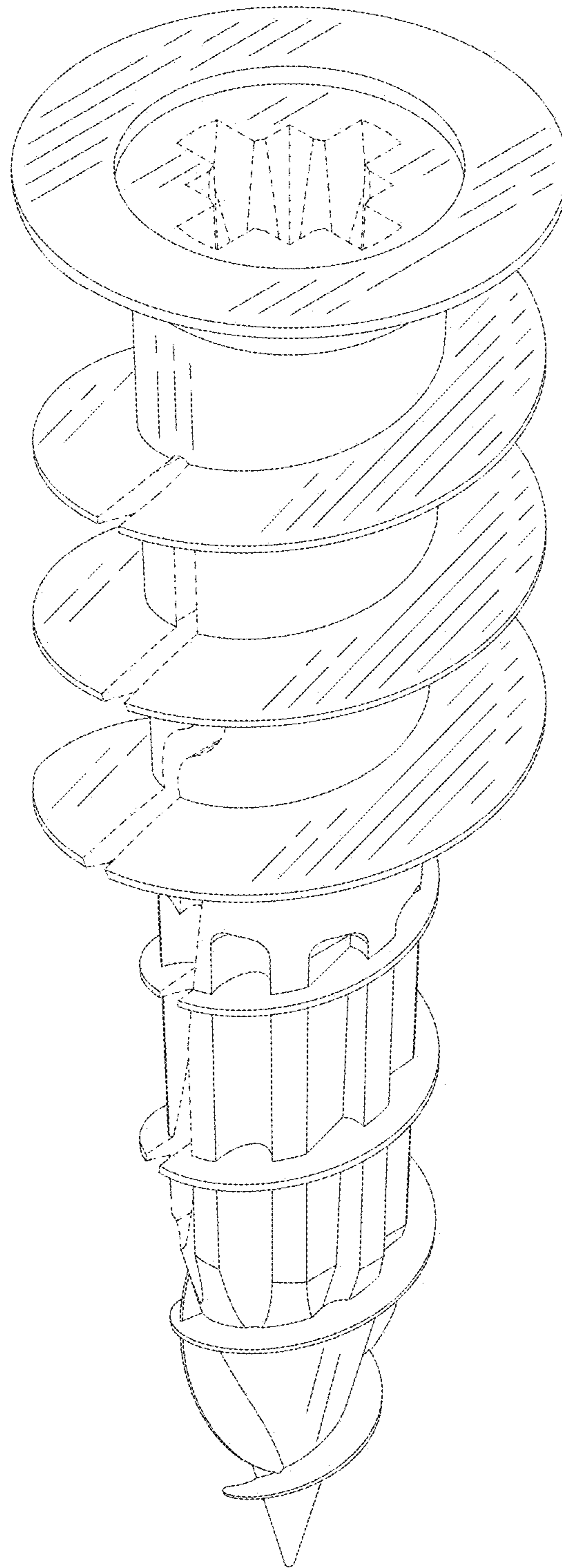


FIG. 1

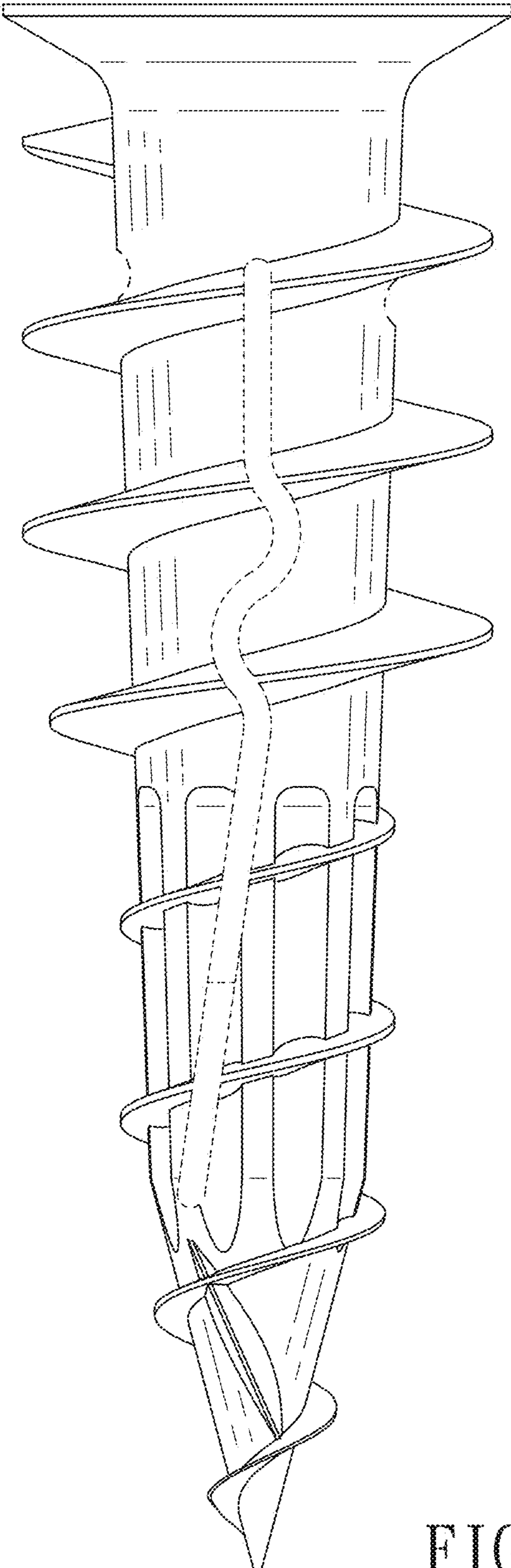


FIG. 2

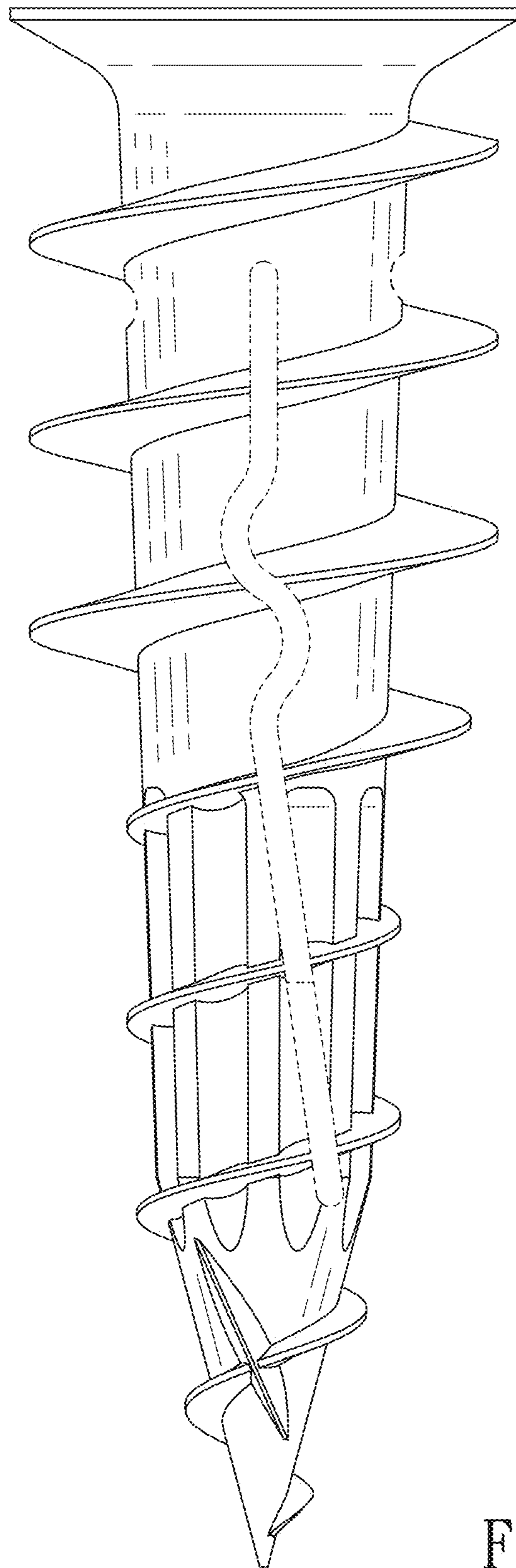


FIG. 3

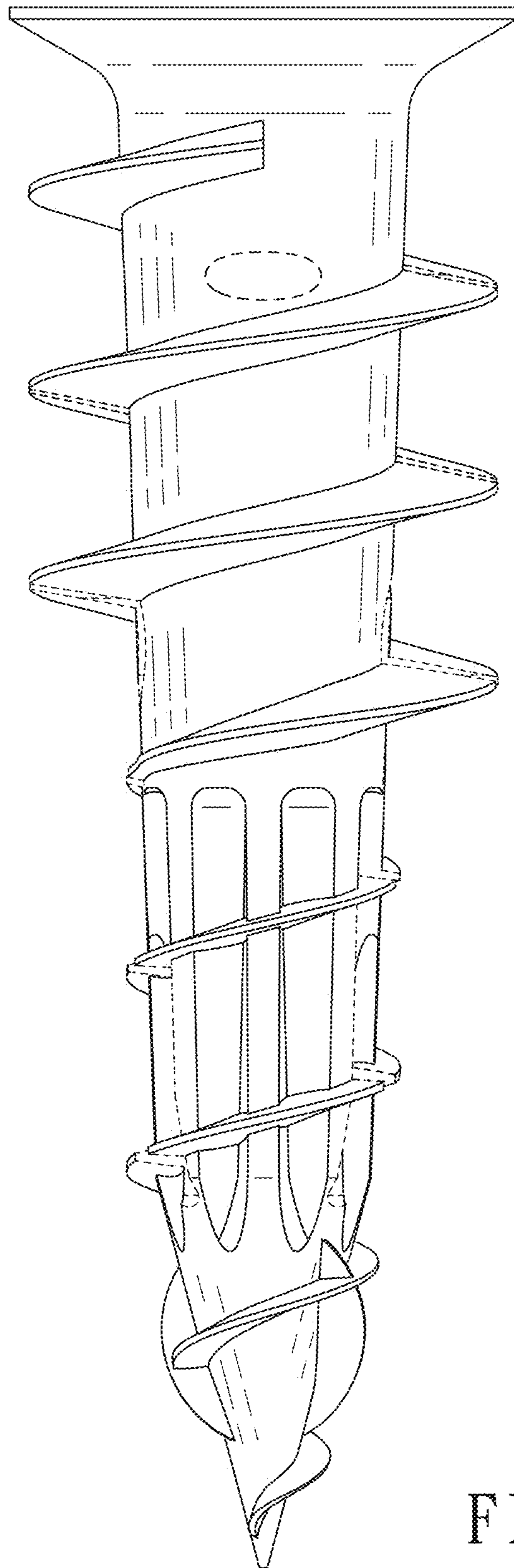


FIG. 4

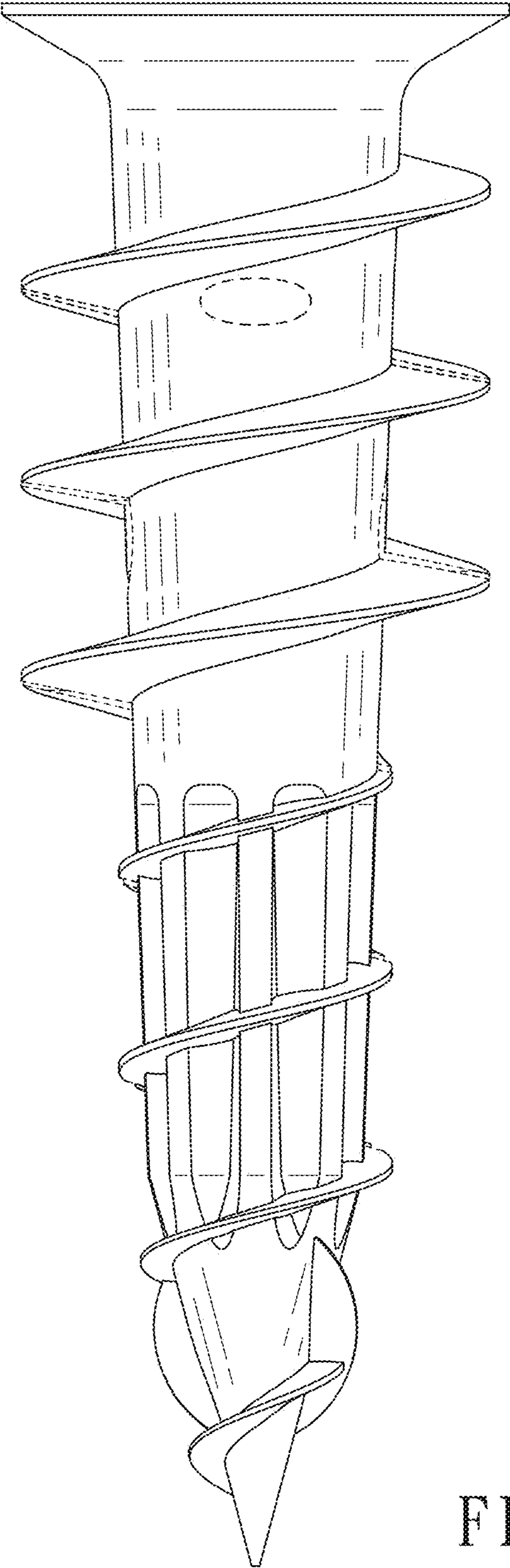


FIG. 5

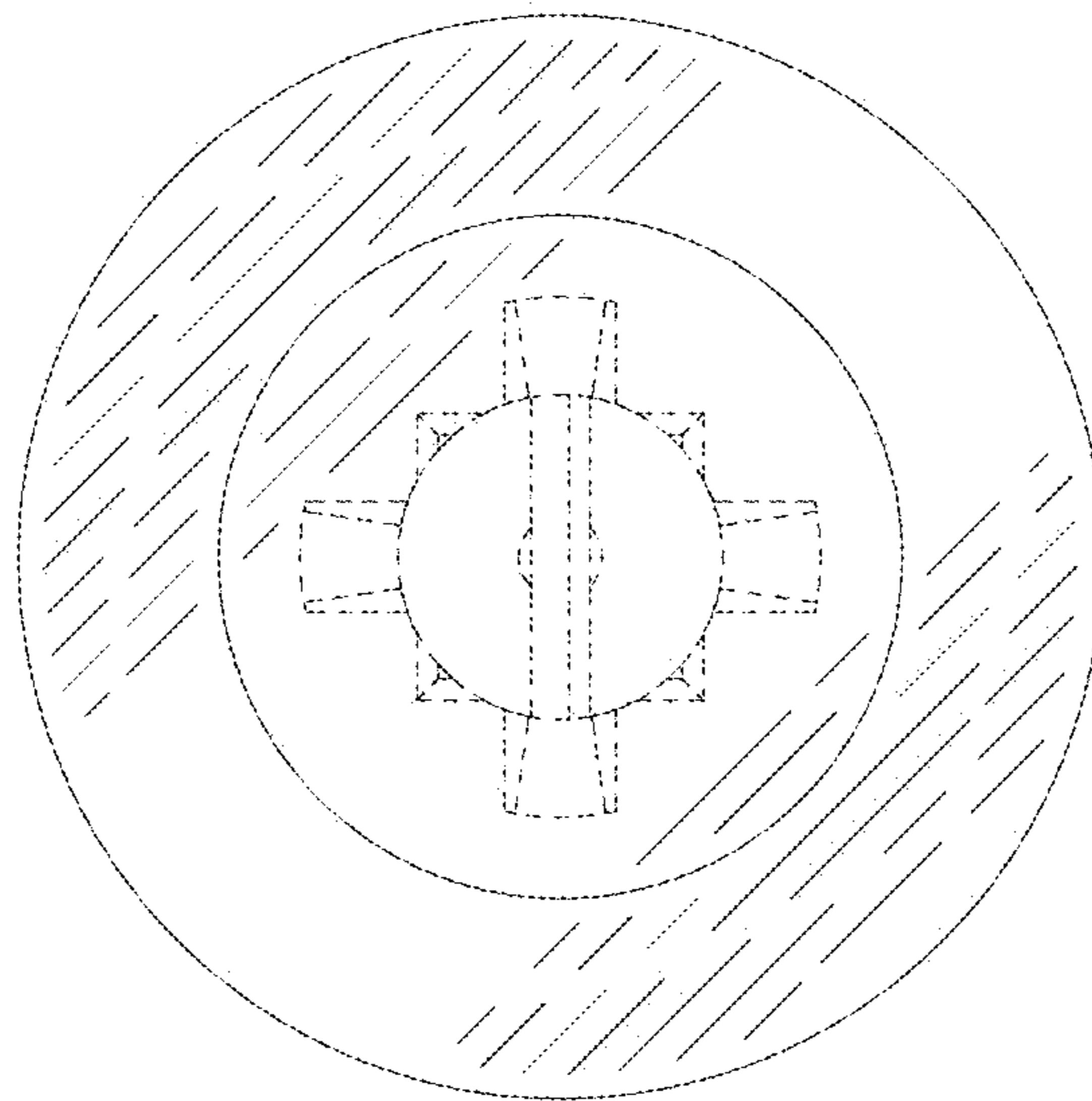


FIG. 6

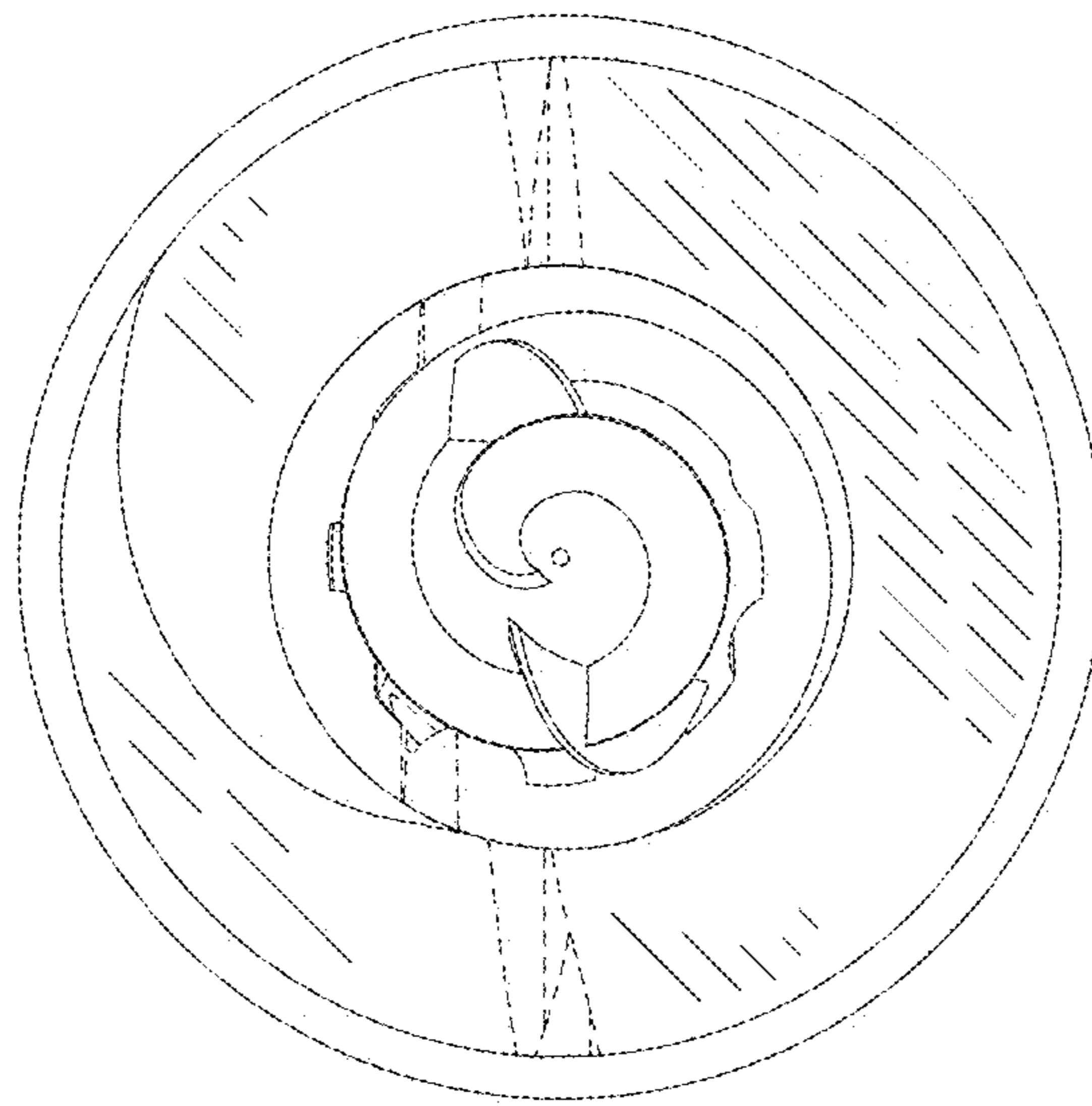


FIG. 7