



US00D957926S

(12) **United States Design Patent**  
**Bayless et al.**

(10) **Patent No.: US D957,926 S**

(45) **Date of Patent: \*\* Jul. 19, 2022**

- (54) **CLIP**
- (71) Applicants: **Benjamin Bayless**, Chattanooga, TN (US); **James Andrew Burran**, Chattanooga, TN (US); **Michael Cox**, Chattanooga, TN (US)
- (72) Inventors: **Benjamin Bayless**, Chattanooga, TN (US); **James Andrew Burran**, Chattanooga, TN (US); **Michael Cox**, Chattanooga, TN (US)
- (73) Assignee: **AFS Newco, LLC**, Virginia Beach, VA (US)
- (\*\*) Term: **15 Years**
- (21) Appl. No.: **29/701,627**
- (22) Filed: **Aug. 13, 2019**
- (51) **LOC (13) Cl. .... 08-08**
- (52) **U.S. Cl.**  
USPC ..... **D8/382**; D23/259; D8/396
- (58) **Field of Classification Search**  
USPC .... D8/394, 395, 396, 349, 352, 382, 72, 73;  
D11/215, 214; D16/242, 245  
CPC ... A44B 11/001; A44B 11/005; A44B 11/006;  
A44B 11/2503; A44B 11/2507; A44B 11/2526; A44B 11/2553; A44B 11/2592;  
A41F 1/008; A41F 9/002; A41F 9/007;  
A41F 11/06; B60R 22/30; B60R 22/32;  
B60R 22/022; B60R 2022/1806; B60R 2022/1812; B60R 2022/281; B65D 63/16;  
A62B 35/00  
See application file for complete search history.

6,732,983 B1 \* 5/2004 Blake ..... F16L 3/1236  
248/74.2  
D507,481 S \* 7/2005 Blake ..... D8/356  
D511,679 S \* 11/2005 Malin ..... D8/396  
(Continued)

**FOREIGN PATENT DOCUMENTS**

GB 9007809405-0001 \* 4/2020

**OTHER PUBLICATIONS**

Metal Money Clip (Silver), Google.com, [online], [site visited Jan. 12, 2022], Available from internet URL: [https://www.amazon.in/Generic-Silver-Money-Clip/dp/B019Q0S0PG?ref=Oct\\_d\\_omg](https://www.amazon.in/Generic-Silver-Money-Clip/dp/B019Q0S0PG?ref=Oct_d_omg) (Year: NA).\*

(Continued)

*Primary Examiner* — Susan Bennett Hattan  
*Assistant Examiner* — Rozita Mozaffarian  
(74) *Attorney, Agent, or Firm* — Jeremy A. Smith; Lanier Ford Shaver & Payne, PC

(57) **CLAIM**

The ornamental design for a clip, as shown and described.

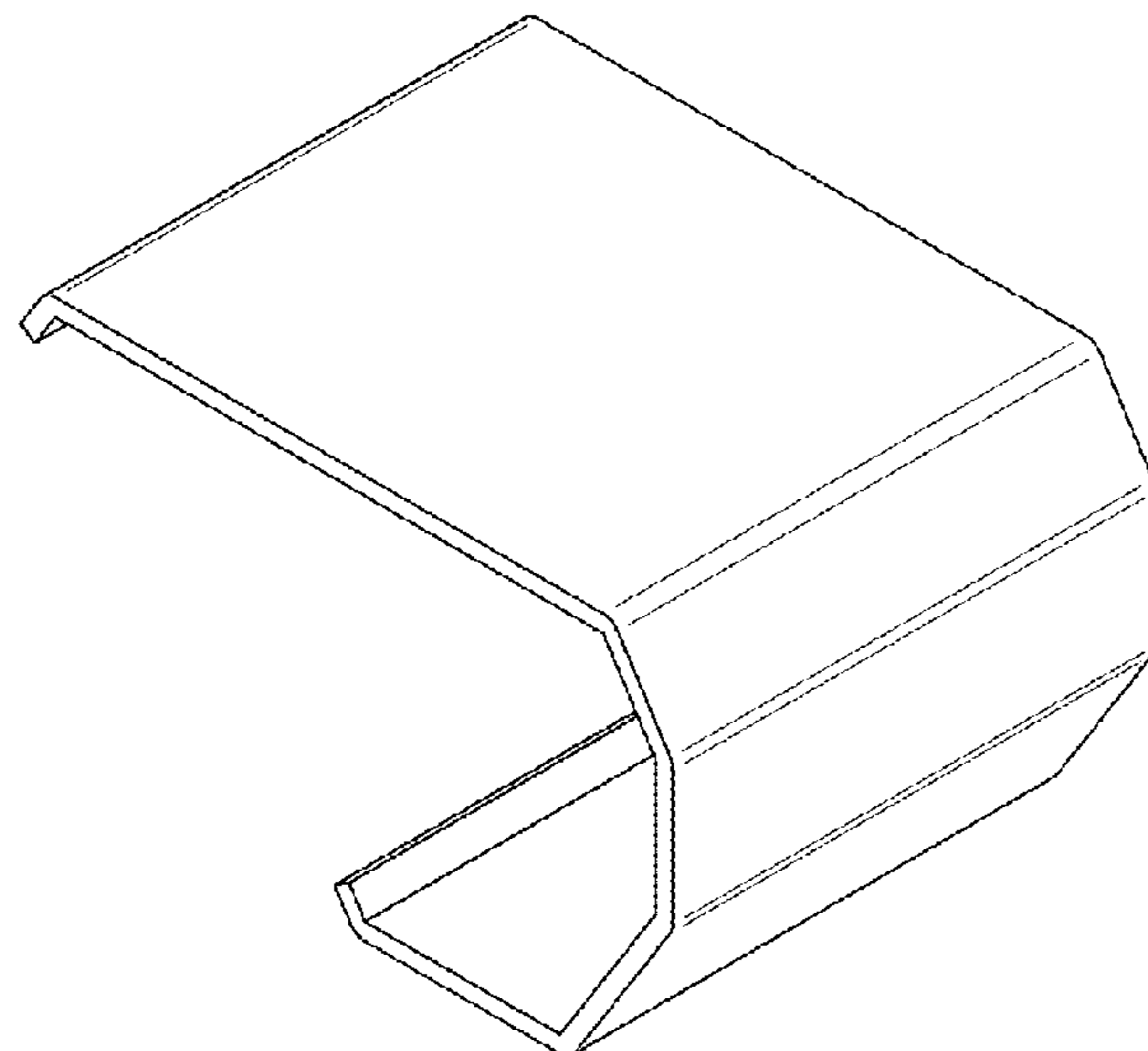
**DESCRIPTION**

FIG. 1 shows a right perspective view of a clip, showing our new design;  
FIG. 2 shows a left perspective view of the clip of the present application.  
FIG. 3 shows a side view of the clip of the present application, the opposing side view is a mirror image.  
FIG. 4 shows a top side of the clip of the present application.  
FIG. 5 shows a bottom view of the clip of the present application.  
FIG. 6 shows a front view of the clip of the present application; and,  
FIG. 7 shows the opposite view of the view of the clip of the present application shown in FIG. 6.

**1 Claim, 3 Drawing Sheets**

(56) **References Cited**  
U.S. PATENT DOCUMENTS

D384,574 S \* 10/1997 Cox ..... D8/349  
D388,742 S \* 1/1998 Ault ..... D11/218  
D474,679 S \* 5/2003 Malin ..... D8/394



(56)

**References Cited**

U.S. PATENT DOCUMENTS

D539,638	S *	4/2007	Franks, Jr. ....	D8/395
D658,051	S *	4/2012	Boucher-Gagne .....	D8/394
8,146,303	B2 *	4/2012	Gibson .....	E04F 15/10
				52/177
D667,629	S *	9/2012	Alamo .....	D3/210
D724,487	S *	3/2015	Dighton .....	D11/222
9,091,078	B2 *	7/2015	Desch nes .....	E04F 13/0803
D736,853	S *	8/2015	Brown .....	D19/34
9,297,166	B2 *	3/2016	Carbines .....	E04F 13/0812
D769,175	S *	10/2016	Aragon, Jr. ....	D12/223
D837,143	S *	1/2019	Sade .....	D13/102
D856,783	S *	8/2019	Zeilinger .....	D8/354
D885,481	S *	5/2020	Tung .....	D19/75
D888,608	S *	6/2020	Spater .....	D11/215
D892,596	S *	8/2020	Farnworth .....	D8/354
D912,972	S *	3/2021	Gunaratne .....	D3/215
D915,184	S *	4/2021	Tuthill .....	D8/382
11,066,804	B2 *	7/2021	Bayless .....	E02D 31/02
2020/0240100	A1 *	7/2020	Bayless .....	E04B 1/7023

OTHER PUBLICATIONS

New Stainless Steel Slim Money Clip Double Sided Credit Card Holder Wallet, google.com, [online], [site visited Jan. 12, 2022], Available from internet URL: <https://www.ebay.com/itm/121758491665> (Year: NA).\*

\* cited by examiner

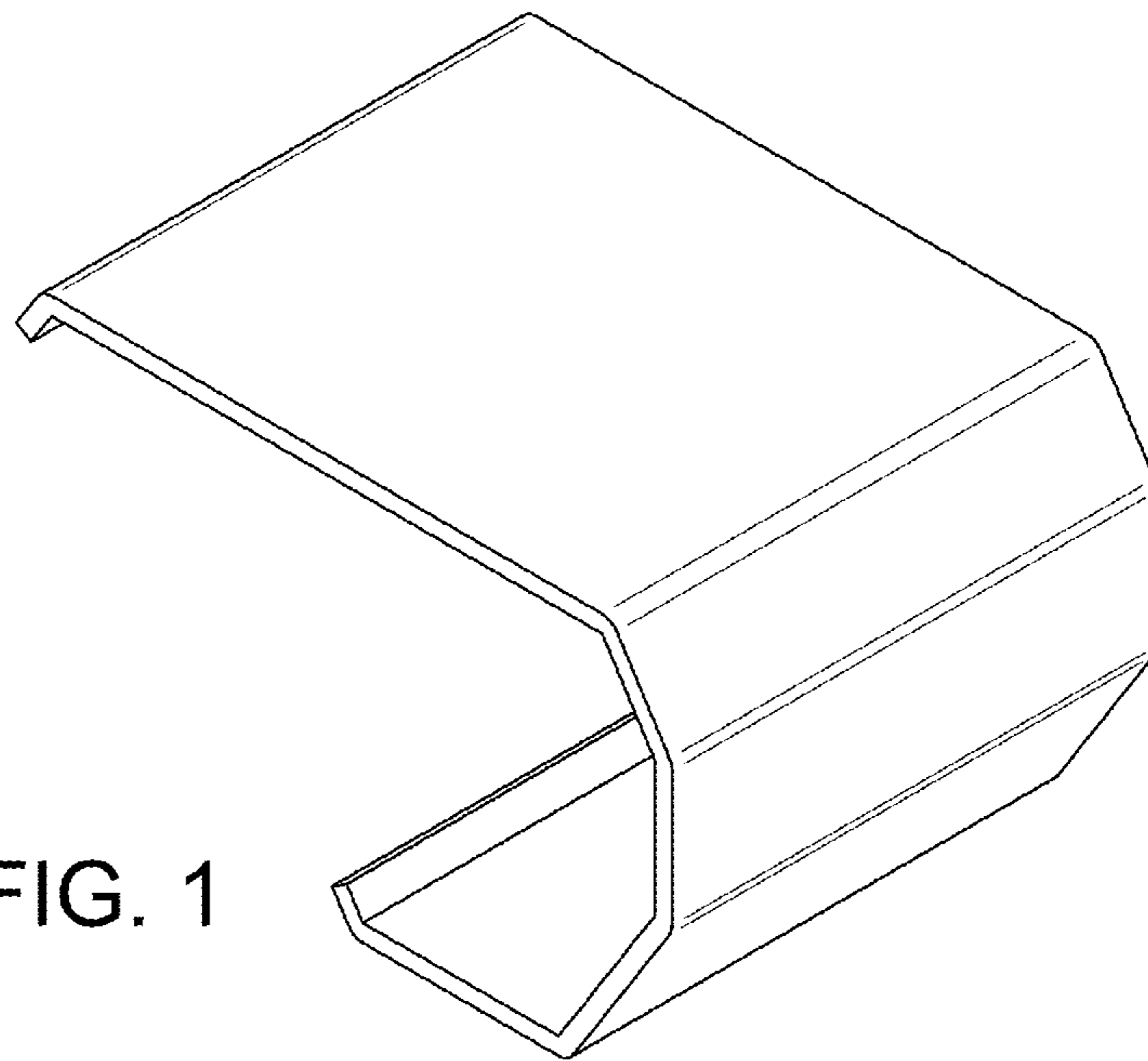


FIG. 1

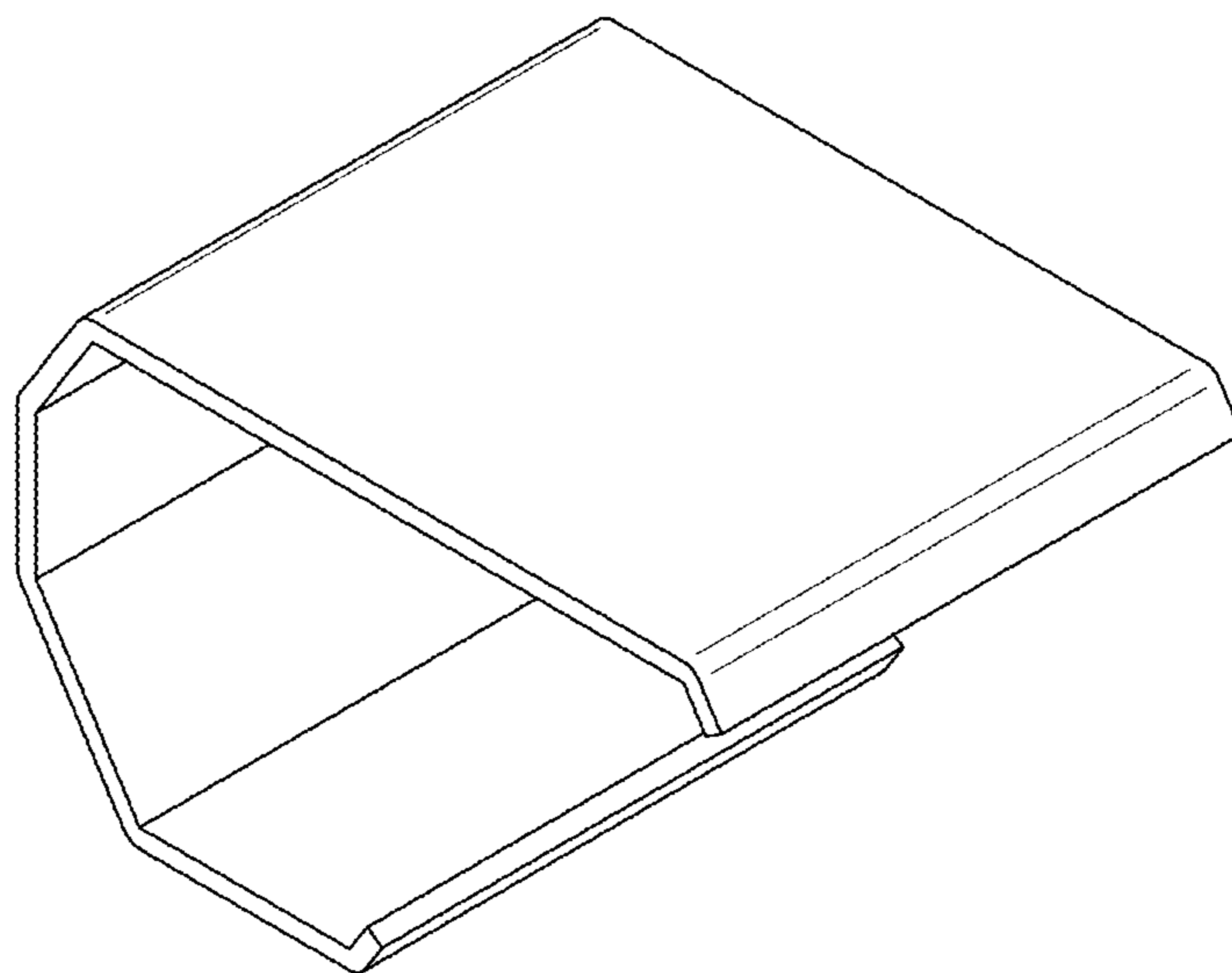


FIG. 2

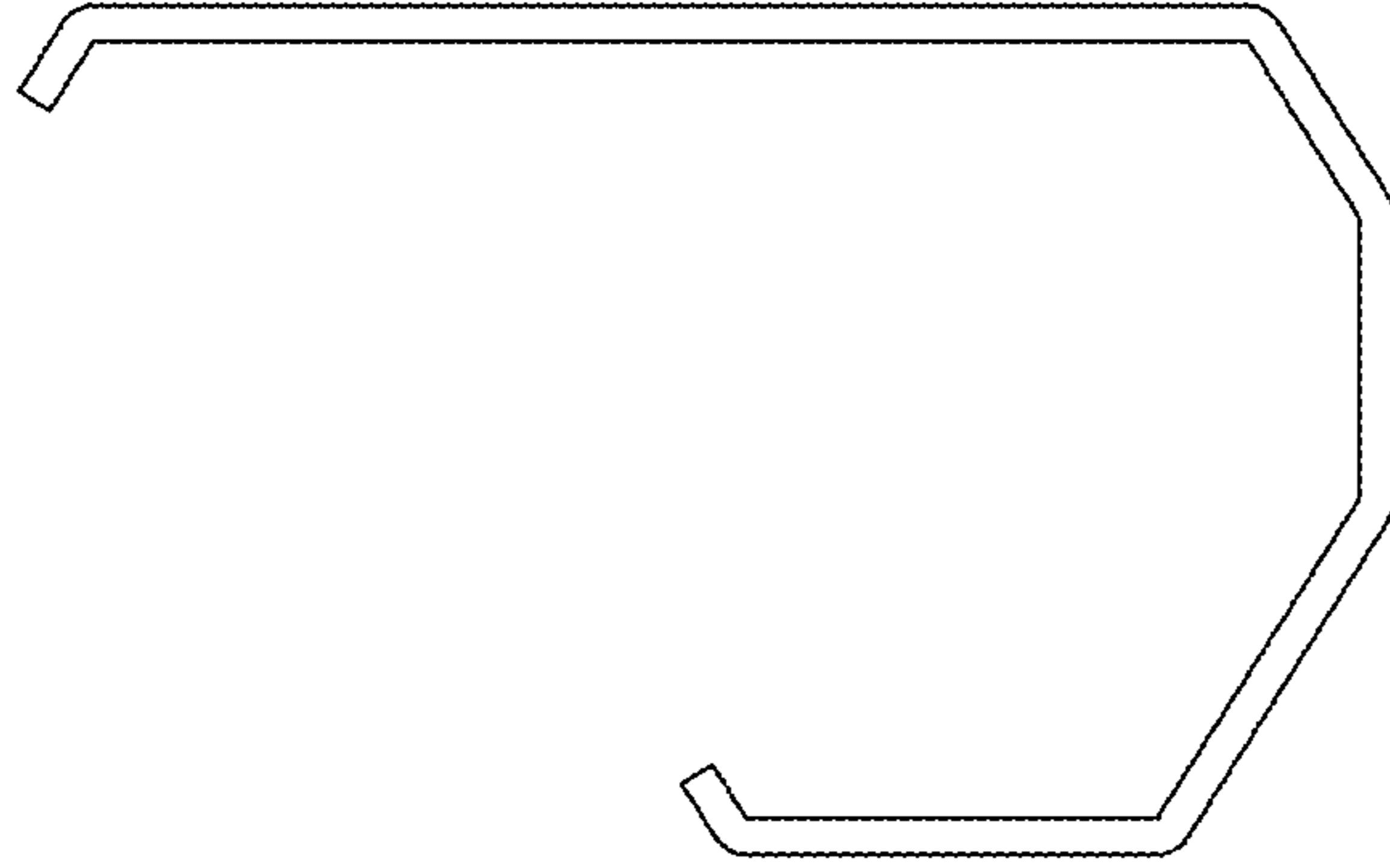


FIG. 3

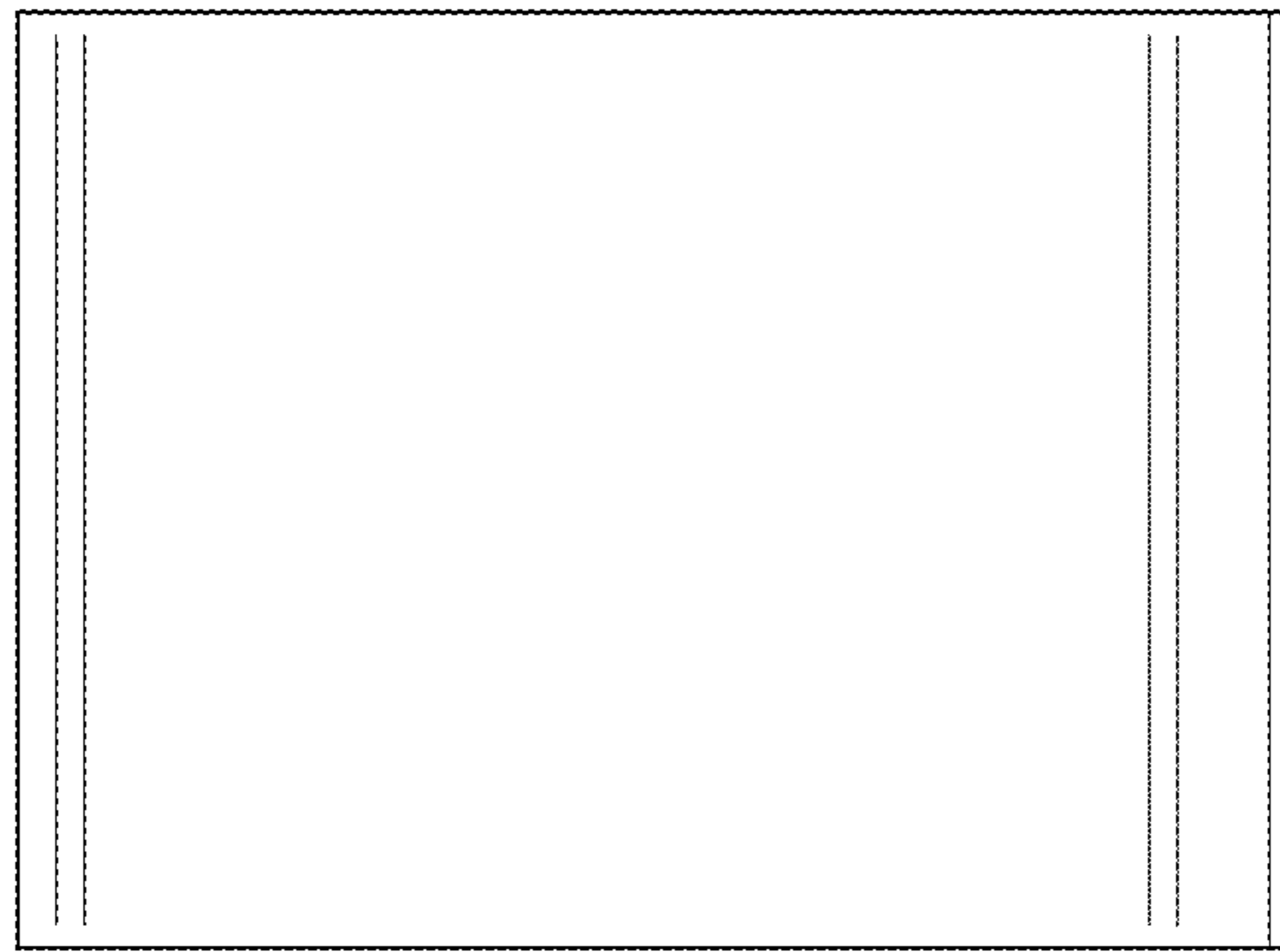


FIG. 4

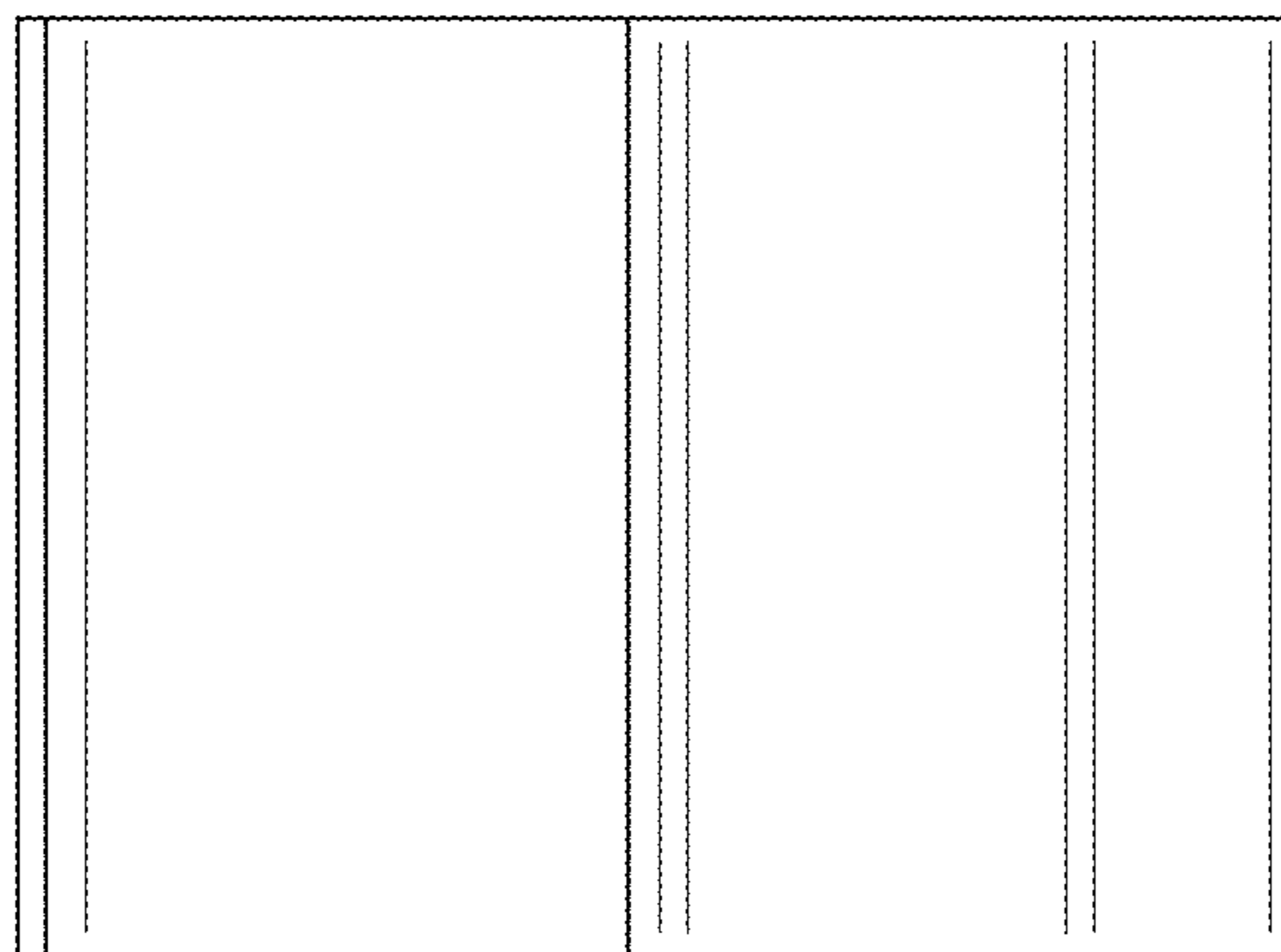


FIG. 5

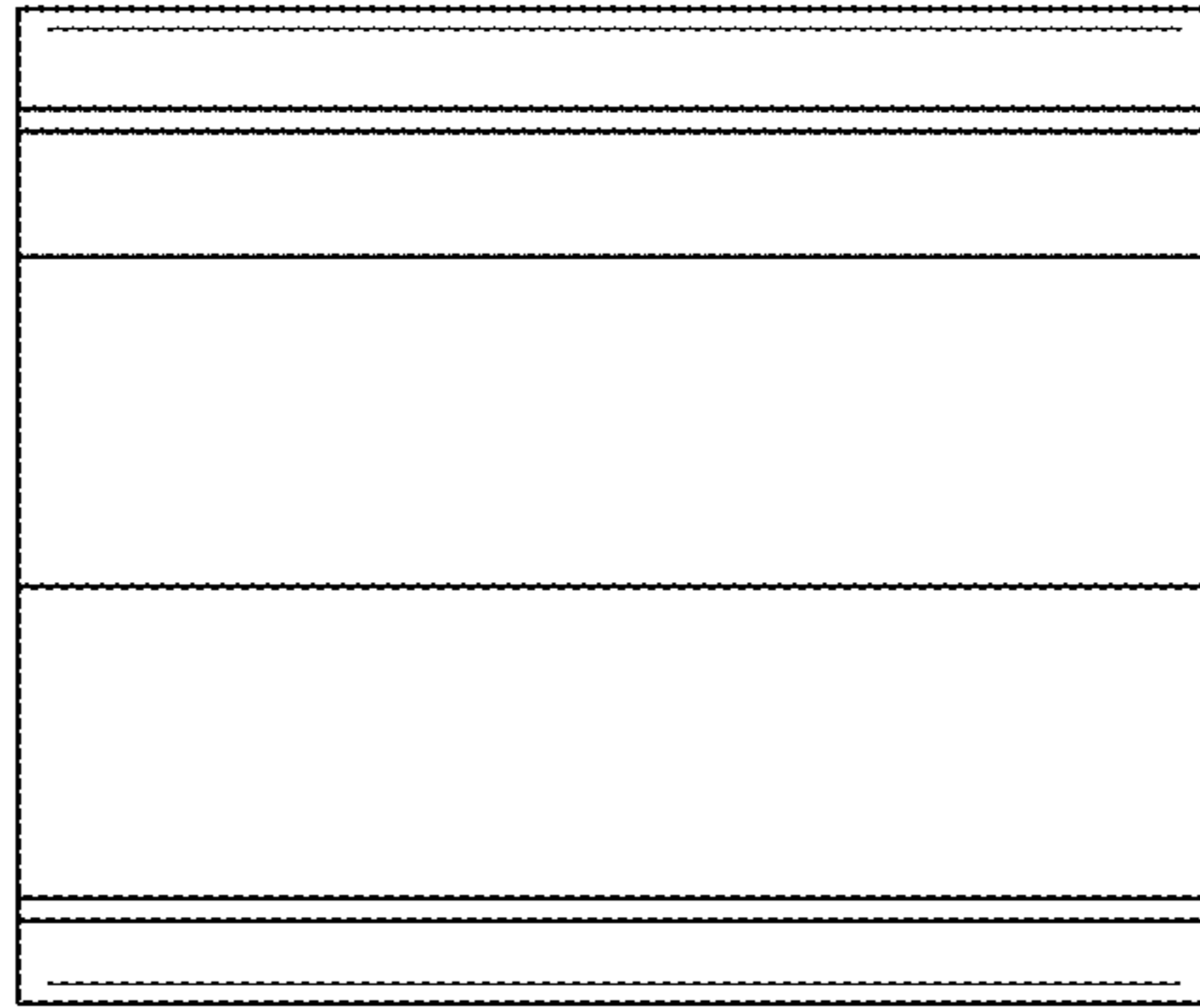


FIG. 6

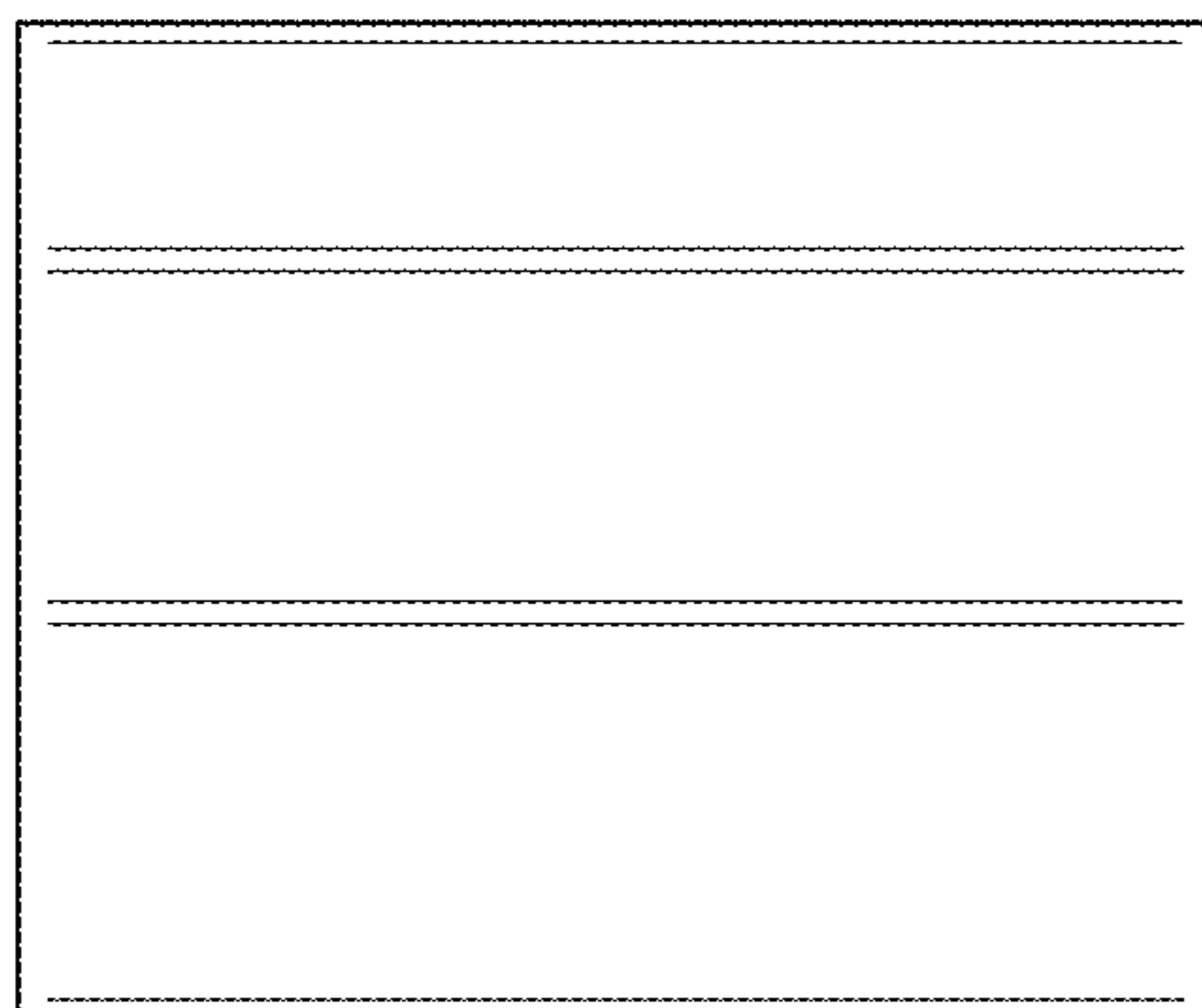


FIG. 7